



US00D719734S

(12) **United States Design Patent**
Reeves

(10) **Patent No.:** **US D719,734 S**
(45) **Date of Patent:** **** Dec. 23, 2014**

(54) **SUPPORT TRAY FOR ROOF TILES AND MATERIALS**

(71) Applicant: **Tom Reeves**, Greenville, GA (US)

(72) Inventor: **Tom Reeves**, Greenville, GA (US)

(73) Assignee: **Tom Reeves**, Greenville, GA (US)

(**) Term: **14 Years**

(21) Appl. No.: **29/473,985**

(22) Filed: **Nov. 27, 2013**

(51) **LOC (10) Cl.** **03-01**

(52) **U.S. Cl.**
USPC **D3/307; D8/71**

(58) **Field of Classification Search**
CPC B25H 3/06; B25H 5/00
USPC D3/201, 276, 304, 305, 307, 308, 309,
D3/312, 313, 315; D8/71; 206/373, 503,
206/557, 561-562, 564; 108/44, 154;
248/309.1

See application file for complete search history.

(56) **References Cited**

U.S. PATENT DOCUMENTS

1,934,271 A * 11/1933 McGinley 108/11
3,648,909 A * 3/1972 Wisecarver 294/169

D269,672 S * 7/1983 Seltzer et al. D13/119
D307,500 S * 4/1990 Mullaly D3/313
D309,684 S * 8/1990 Kohler D6/511
D311,301 S * 10/1990 Starnes D7/706
D319,130 S * 8/1991 Williams D3/312
D327,351 S * 6/1992 Dallas D34/23
6,019,241 A * 2/2000 Burns 220/570
D537,250 S * 2/2007 Richard D3/307
7,806,059 B2 * 10/2010 Bolton 108/43
D653,064 S * 1/2012 Lutt D6/513
2013/0032616 A1 * 2/2013 Lewis 224/191

* cited by examiner

Primary Examiner — Philip S Hyder
Assistant Examiner — Darlington Ly

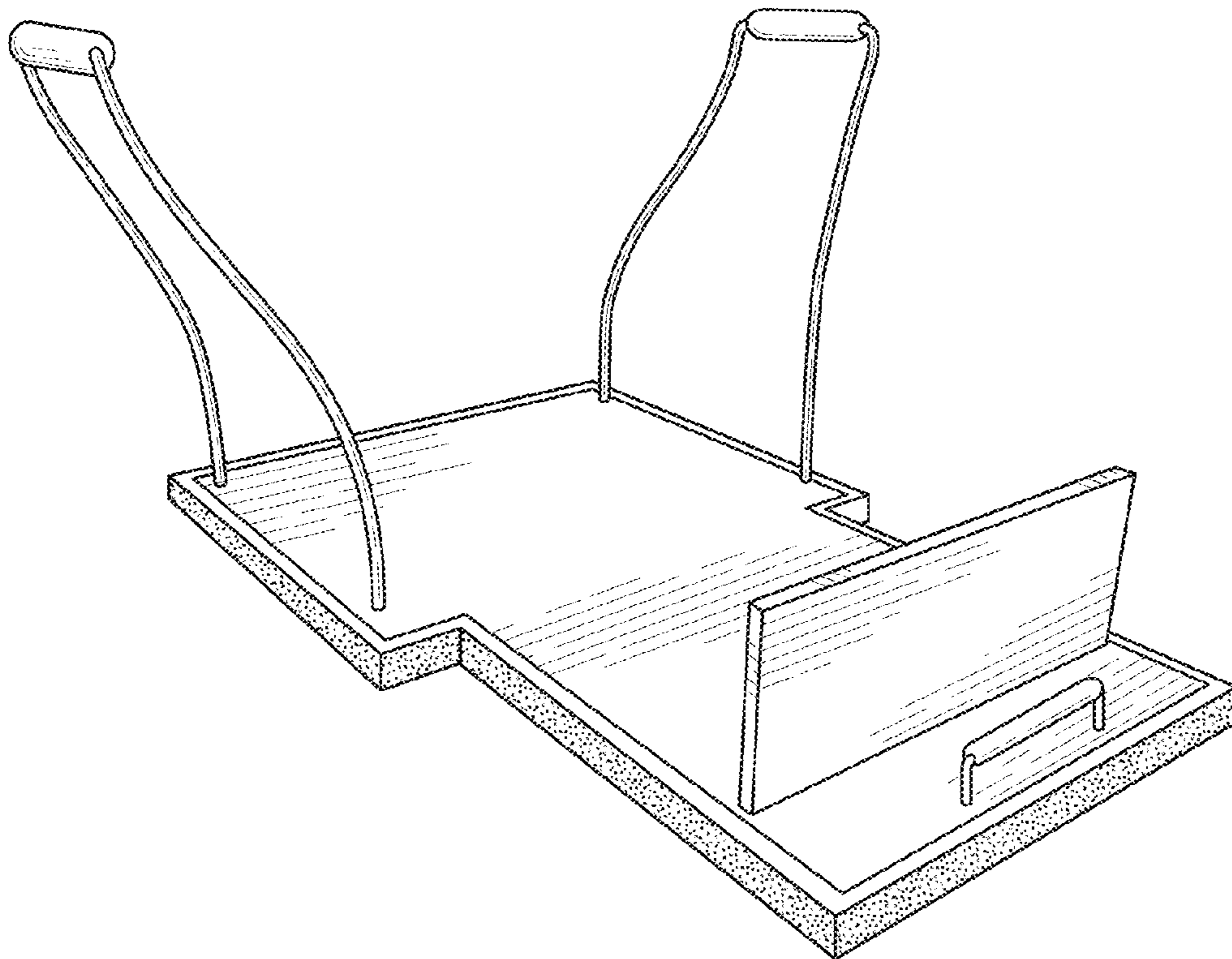
(57) **CLAIM**

The ornamental design for the support tray for roof tiles and materials, as shown and described.

DESCRIPTION

FIG. 1 is a perspective view of the present invention;
FIG. 2 is a right side elevation view thereof;
FIG. 3 is a left side elevation view thereof;
FIG. 4 is a bottom plan view thereof; and,
FIG. 5 is a top plan view thereof.

1 Claim, 3 Drawing Sheets



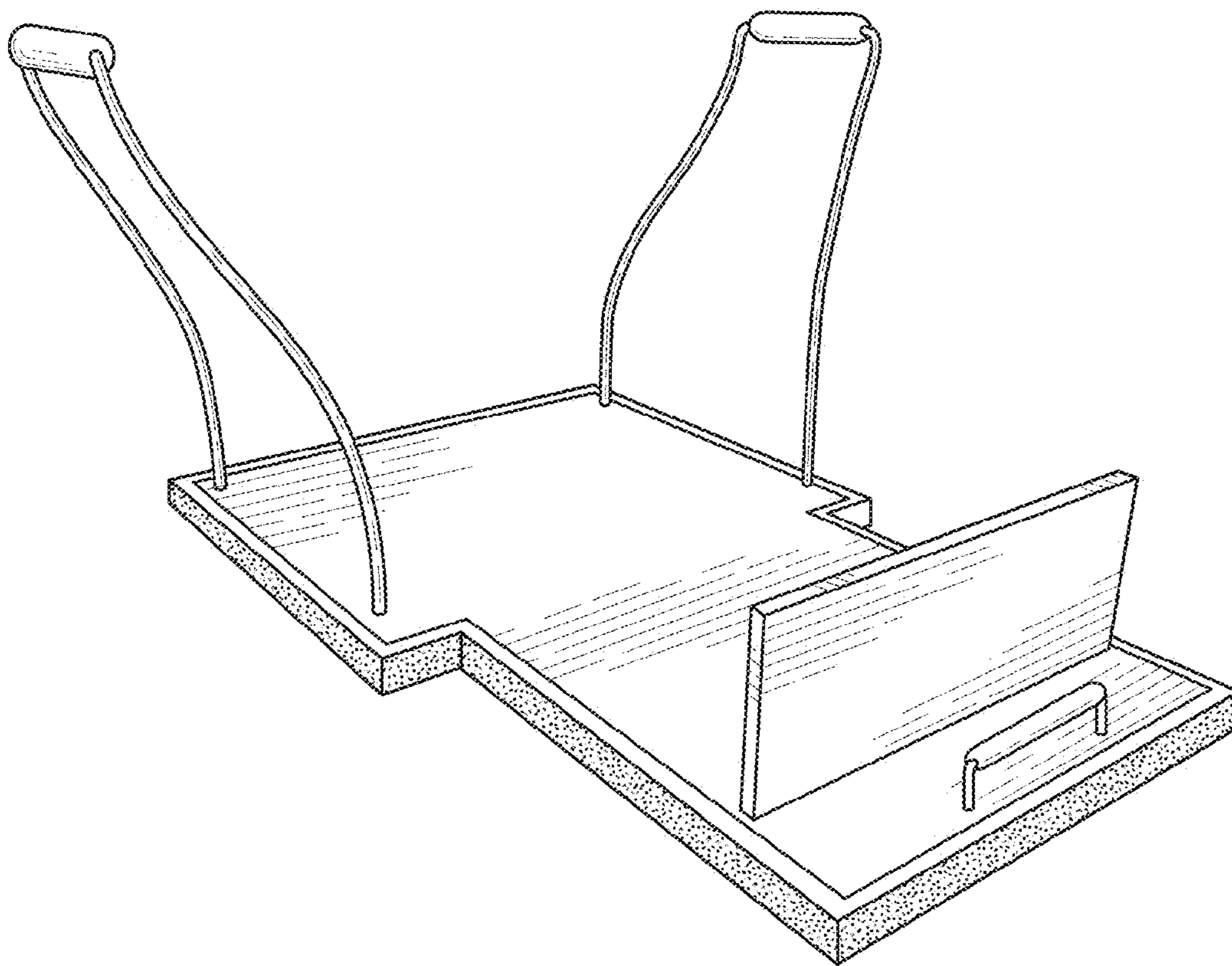


FIG. 1

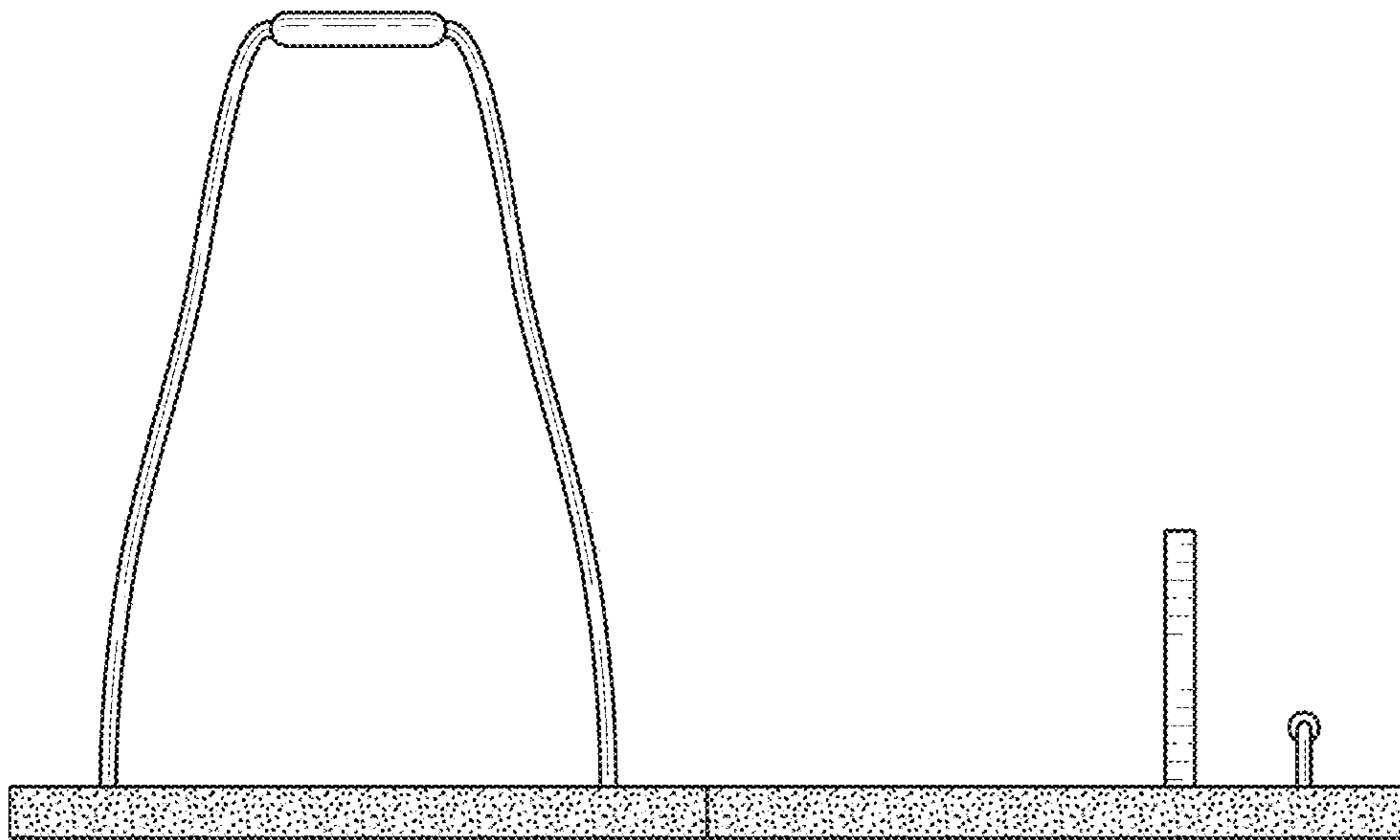


FIG. 2

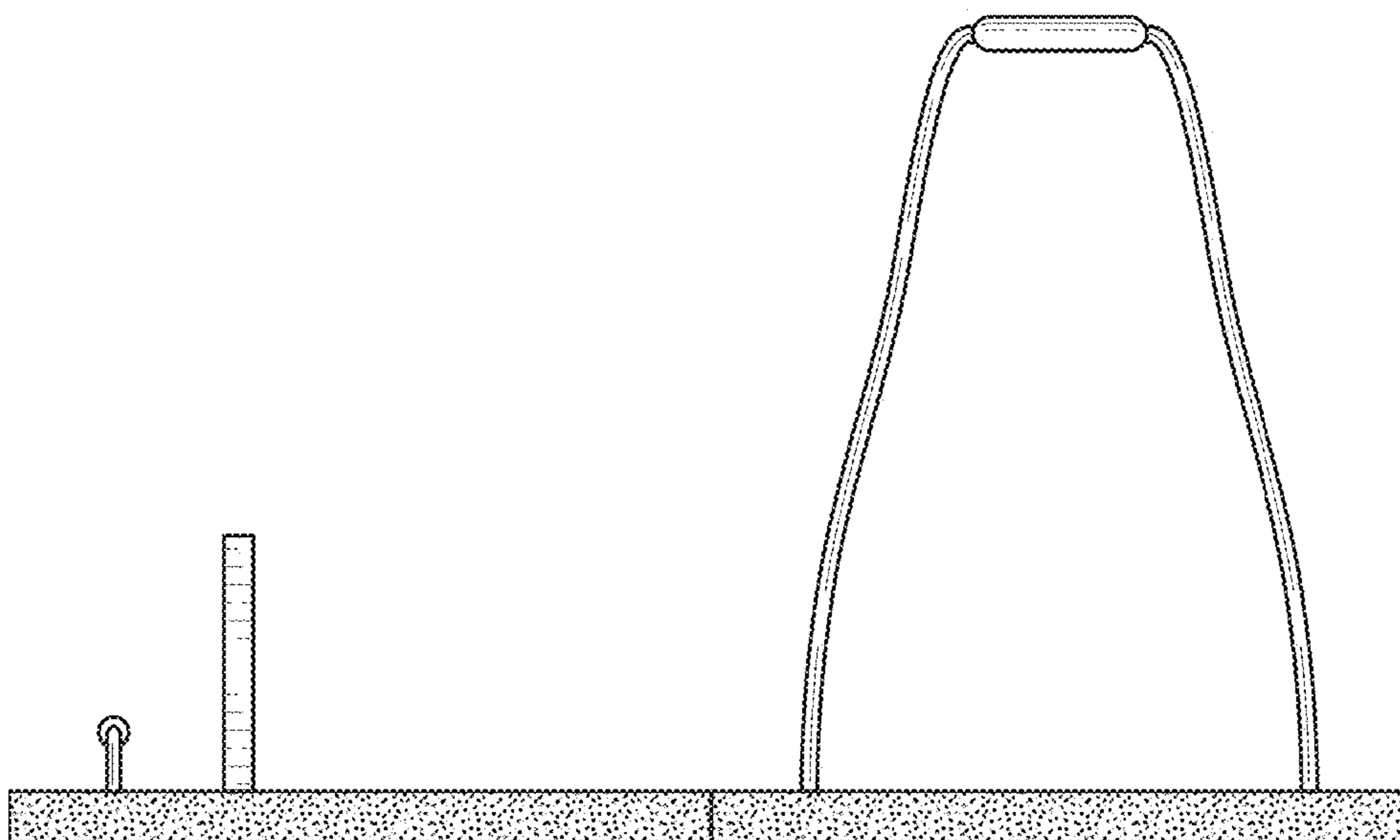


FIG. 3

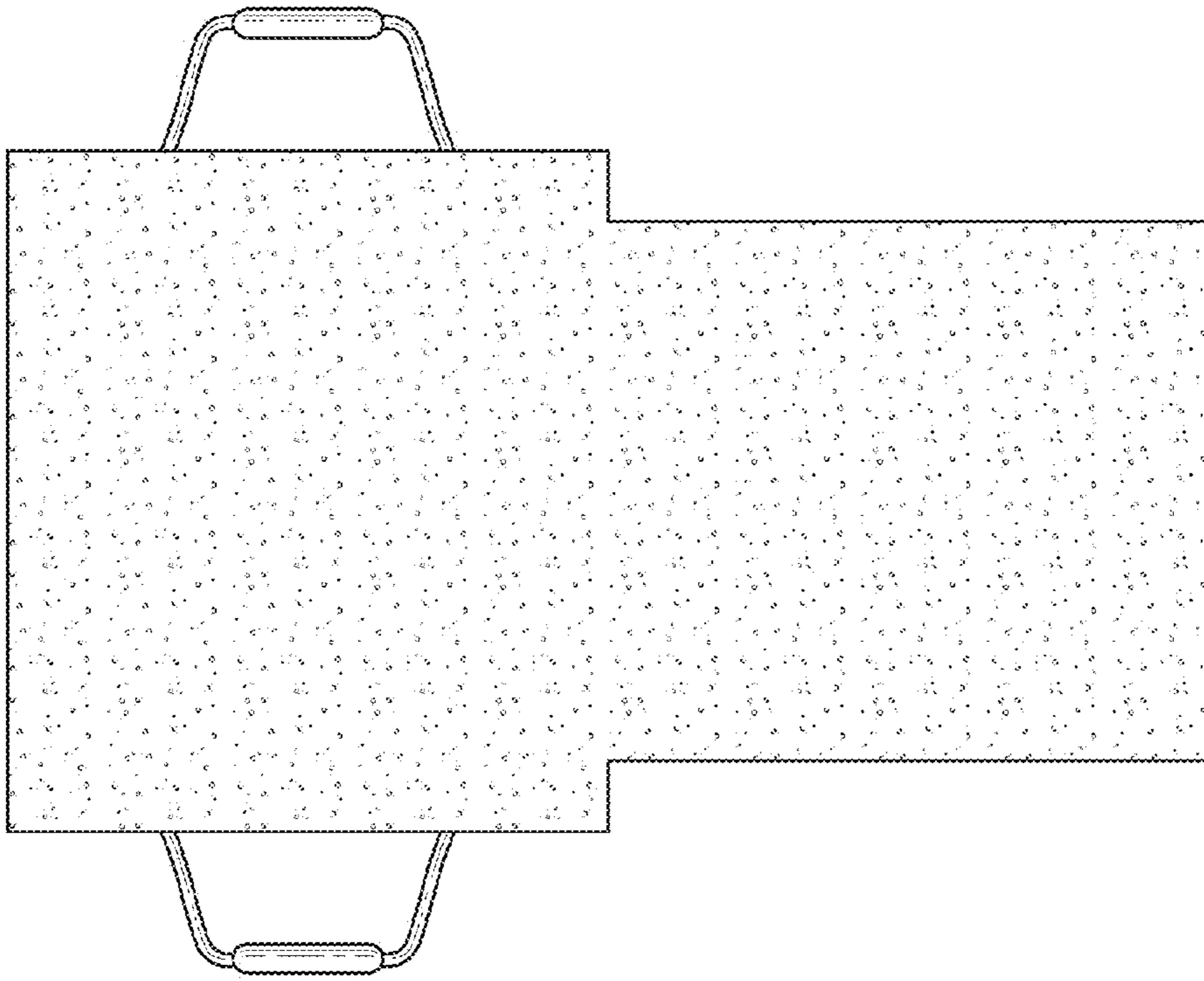


FIG. 5

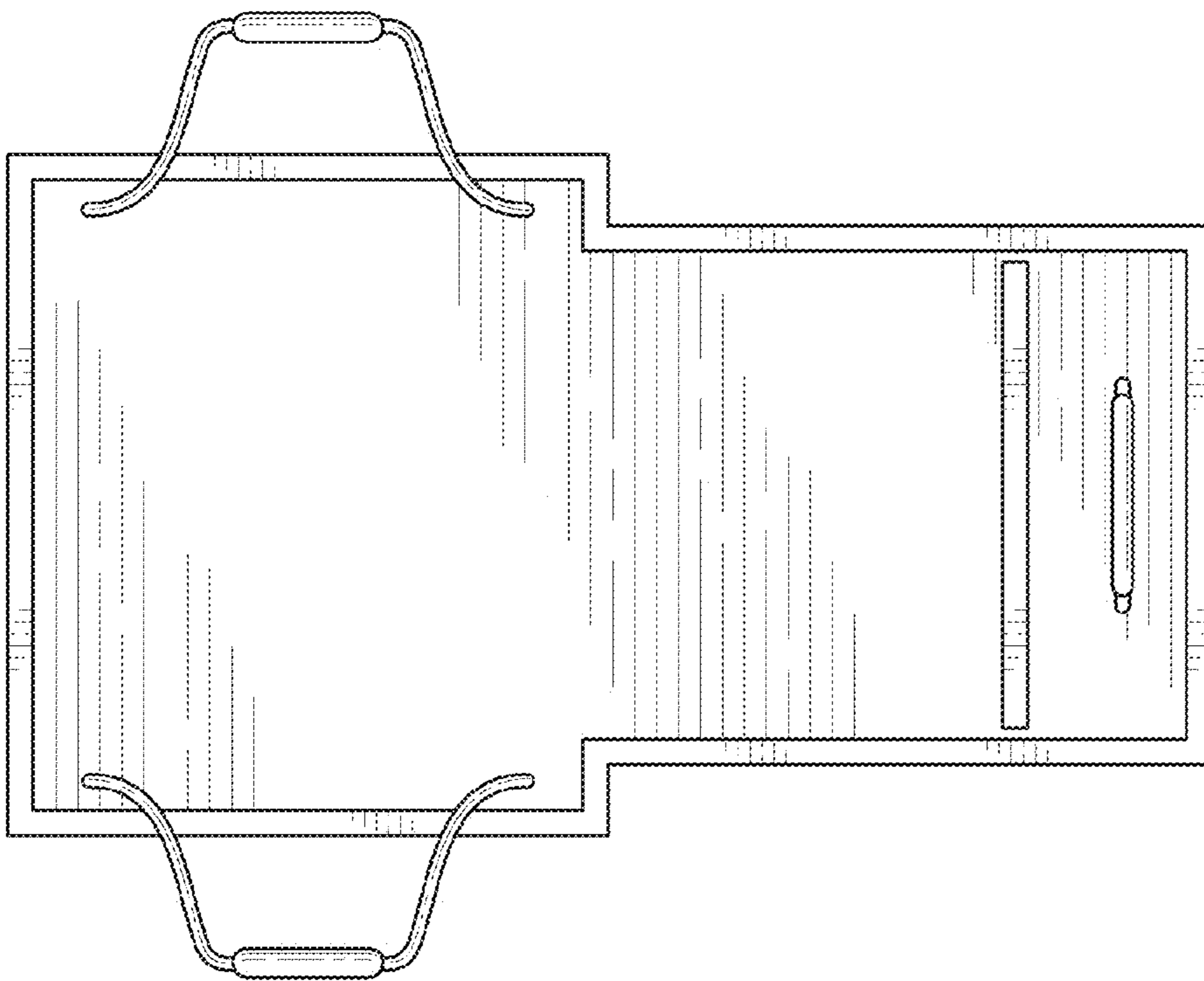


FIG. 4