



US00D719732S

(12) **United States Design Patent**  
**Hyzdu**

(10) **Patent No.:** **US D719,732 S**

(45) **Date of Patent:** **\*\* Dec. 23, 2014**

(54) **WEARABLE HORIZONTAL POCKET**

(71) Applicant: **Julie Hyzdu**, Mesa, AZ (US)

(72) Inventor: **Julie Hyzdu**, Mesa, AZ (US)

(\*\*) Term: **14 Years**

(21) Appl. No.: **29/457,302**

(22) Filed: **Jun. 8, 2013**

(51) **LOC (10) Cl.** ..... **03-01**

(52) **U.S. Cl.**  
USPC ..... **D3/303**

(58) **Field of Classification Search**  
USPC ..... D3/303, 323, 245, 232-233, 226, 224,  
D3/215, 203.5-203.7; 224/191, 195, 240,  
224/676, 682

See application file for complete search history.

(56) **References Cited**

**U.S. PATENT DOCUMENTS**

D305,827	S	*	2/1990	Flowers	.....	D2/864
5,024,536	A	*	6/1991	Hill	.....	383/38
5,407,111	A	*	4/1995	Lanouette et al.	.....	224/579
D420,510	S	*	2/2000	Rotan	.....	D3/303
D480,868	S	*	10/2003	Fulbright	.....	D3/228
D563,241	S	*	3/2008	Nimey	.....	D9/705
D608,530	S	*	1/2010	Williams	.....	D2/864

\* cited by examiner

*Primary Examiner* — Deanna L Pratt

*Assistant Examiner* — Lilyana Bekic

(74) *Attorney, Agent, or Firm* — Jackson White, PC; Steven J. Laureanti

(57) **CLAIM**

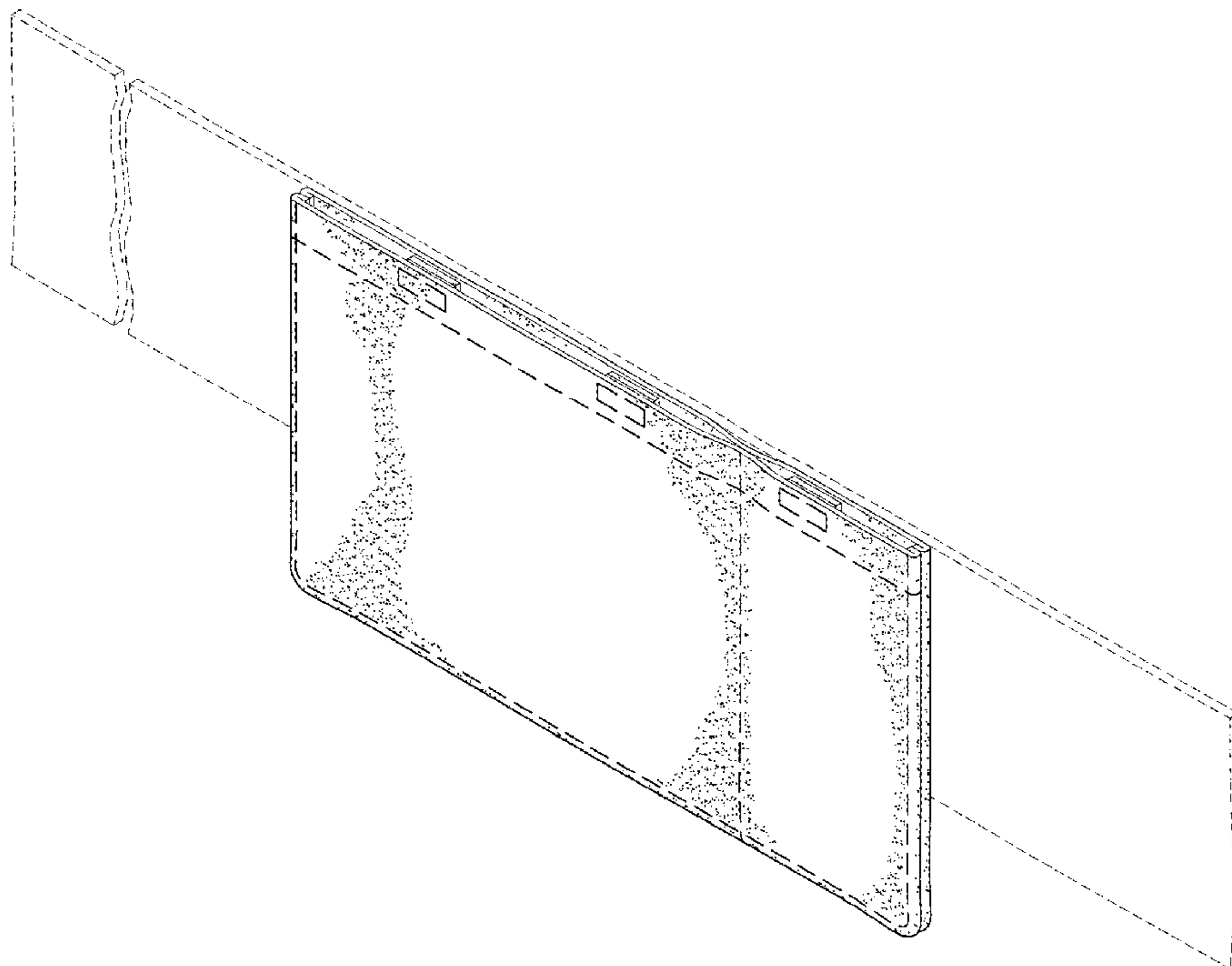
The ornamental design for a wearable horizontal pocket, as shown and described.

**DESCRIPTION**

FIG. 1 is a perspective view of the present invention; FIG. 2 is a front view of the present invention; FIG. 3 is a back view of the present invention; FIG. 4 is a left side view of the present invention; FIG. 5 is a right side view of the present invention; FIG. 6 is a top view of the present invention; FIG. 7 is a bottom view of the present invention; and, FIG. 8 is an alternate view of the present invention attached to a user.

The long dash-dash type broken line illustrates stitching on the wearable horizontal pocket and form part of the claimed design. The short dash-dash type broken line showing of the straps in FIGS. 1-8 and showing of the cords and human figure in FIG. 8 illustrates environment of the claimed design and form no part thereof.

**1 Claim, 4 Drawing Sheets**



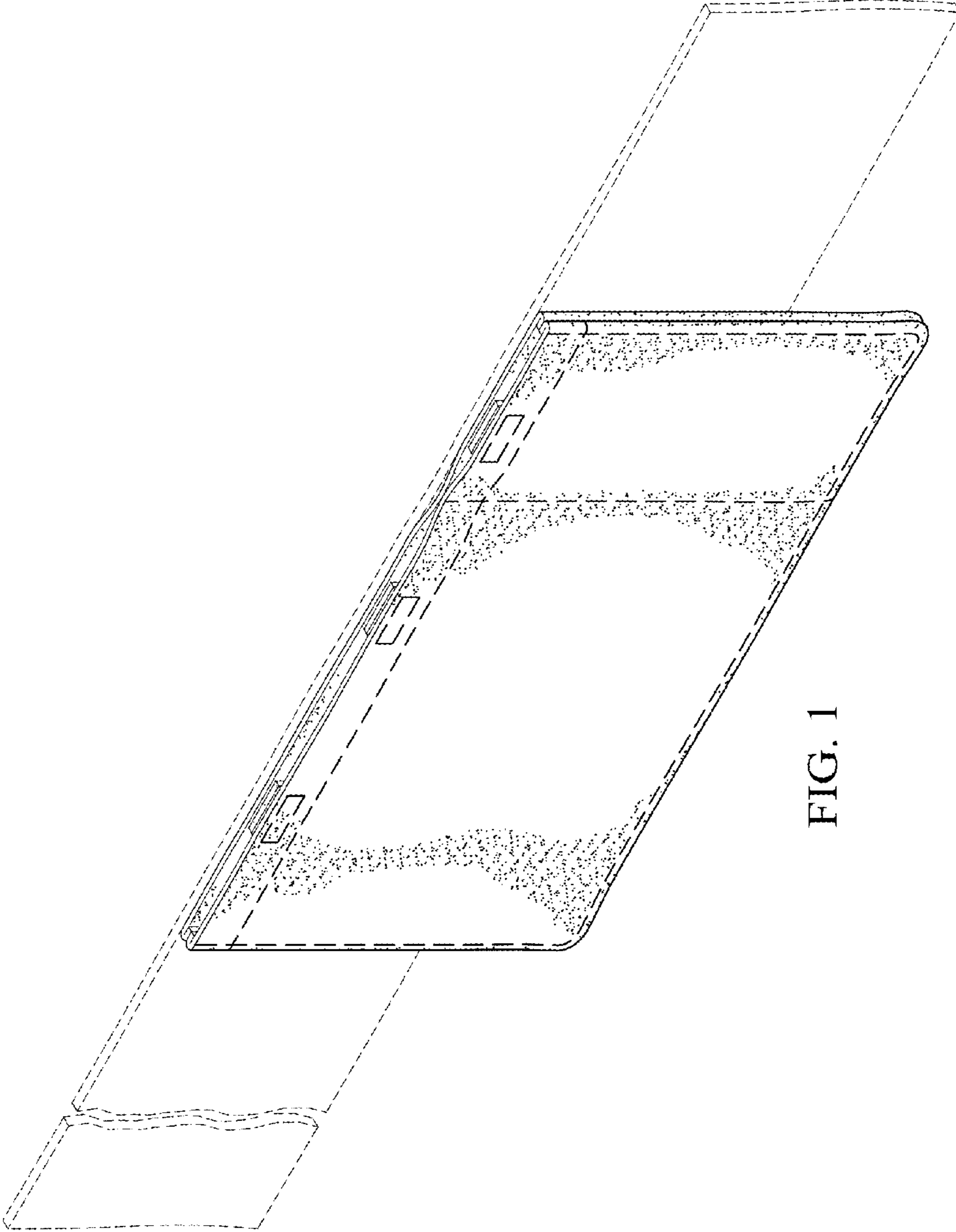


FIG. 1

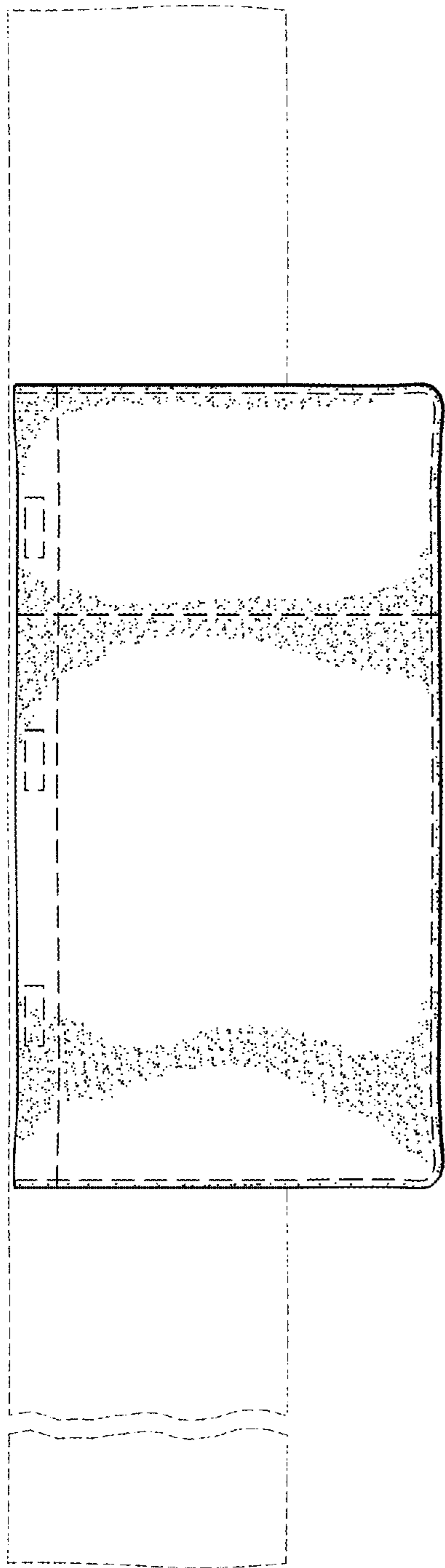


FIG. 2

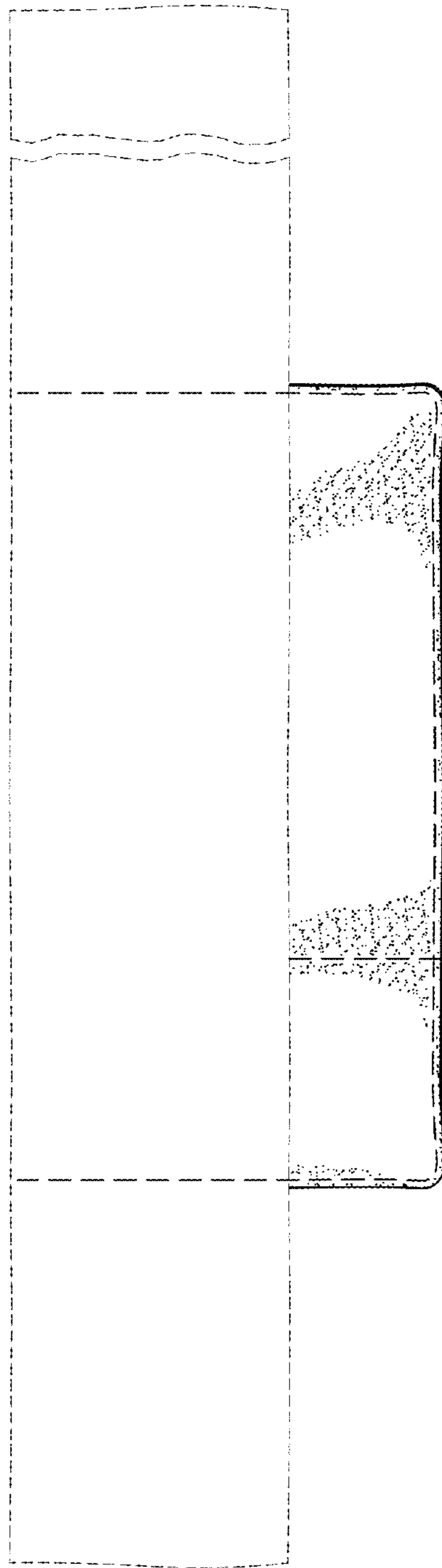


FIG. 3

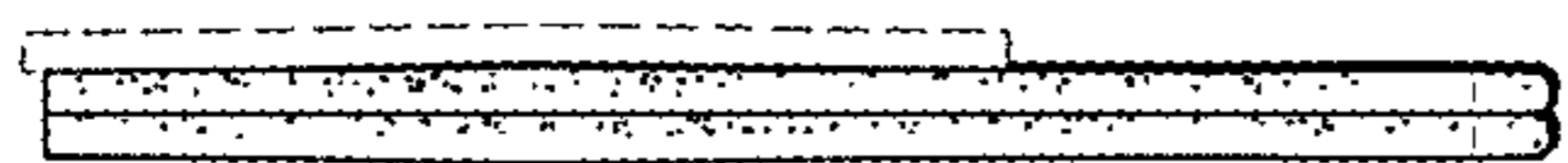


FIG. 4

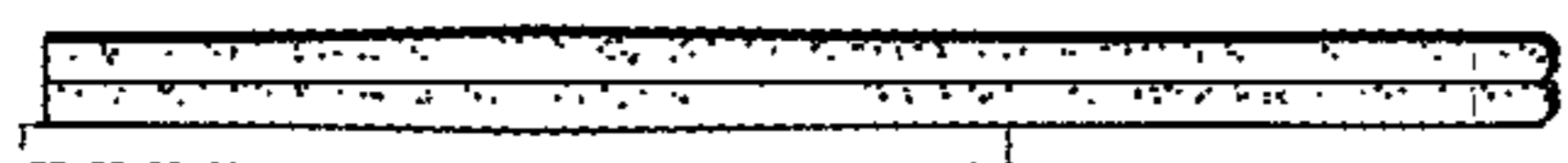


FIG. 5



FIG. 6



FIG. 7

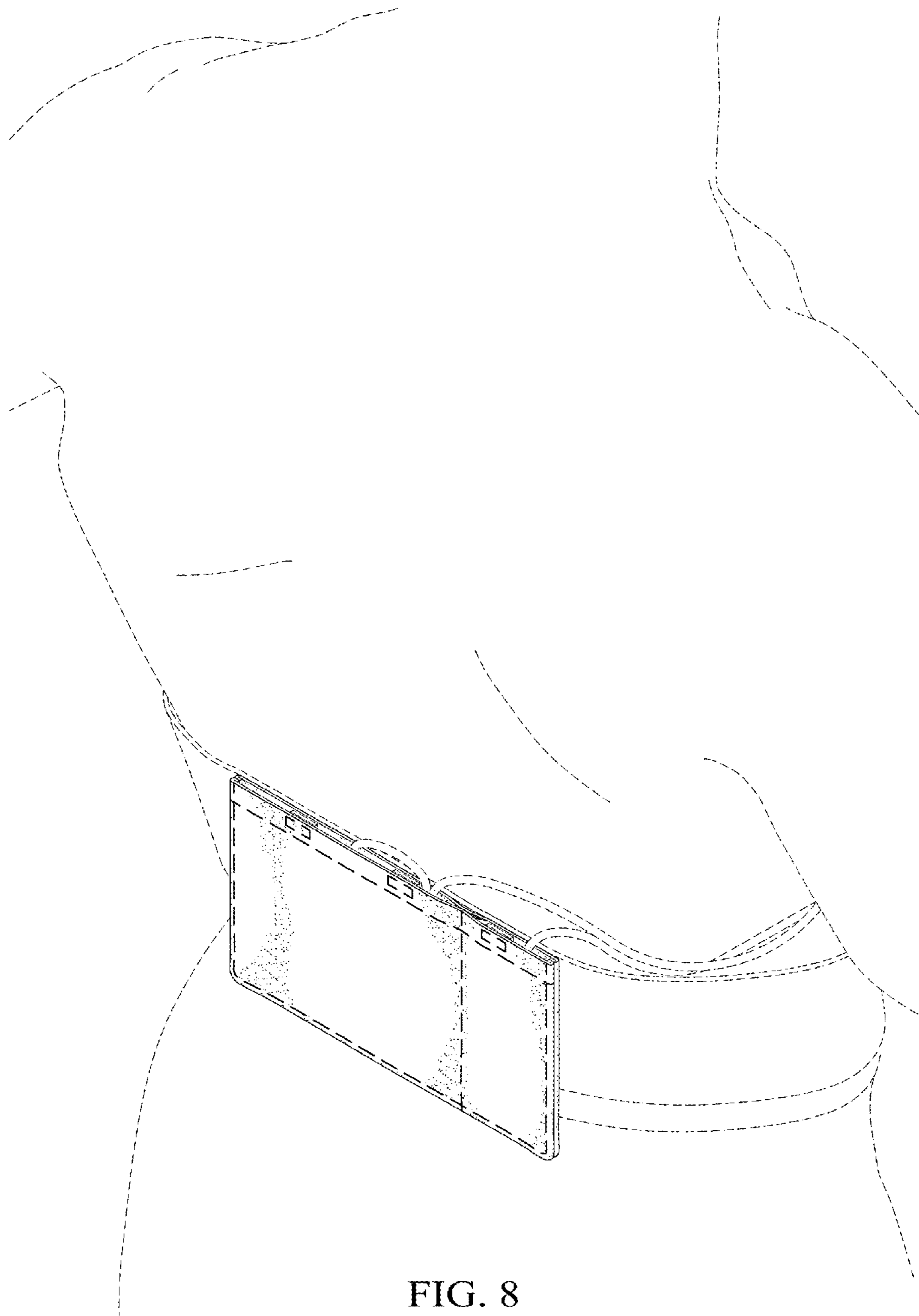


FIG. 8