



US00D719731S

(12) **United States Design Patent**
Burgess et al.

(10) **Patent No.:** **US D719,731 S**

(45) **Date of Patent:** **** *Dec. 23, 2014**

(54) **STORAGE CONTAINER WITH ACCESS PANEL**

(71) Applicant: **Rubbermaid Incorporated,**
Huntersville, NC (US)

(72) Inventors: **Roderick Burgess,** Charlotte, NC (US);
Timothy Emig, Concord, NC (US); **Tim Pierzynski,** Apple Creek, OH (US)

(*) Notice: This patent is subject to a terminal disclaimer.

(**) Term: **14 Years**

(21) Appl. No.: **29/440,434**

(22) Filed: **Dec. 21, 2012**

(51) **LOC (10) Cl.** **03-01**

(52) **U.S. Cl.**
USPC **D3/302; D3/299**

(58) **Field of Classification Search**
USPC D30/161; 206/503, 504, 505, 506, 508,
206/510, 512, 514, 515; D3/203.1, 203.6,
D3/225, 218, 273, 284, 302
See application file for complete search history.

(56) **References Cited**

U.S. PATENT DOCUMENTS

D308,340	S	*	6/1990	Ilsen et al.	D3/302
5,038,937	A		8/1991	DiSesa, Jr.		
D326,345	S	*	5/1992	Mandell et al.	D3/312
5,147,044	A		9/1992	DiSesa, Jr.		
D330,328	S	*	10/1992	DiSesa, Jr.	D3/294
5,271,515	A		12/1993	Berkheimer et al.		
5,285,900	A	*	2/1994	Swingler	206/508
5,445,397	A		8/1995	Evans		
D372,673	S	*	8/1996	Turner	D3/302
5,586,656	A		12/1996	Abrums		
5,799,792	A		9/1998	Abrums		
D480,872	S	*	10/2003	Welsh et al.	D3/302
D493,034	S	*	7/2004	Bar-Erez	D3/295
D511,624	S	*	11/2005	Rosine et al.	D3/273
D513,870	S	*	1/2006	Rosine et al.	D3/273
D527,901	S	*	9/2006	Selsted	D3/302
D572,903	S	*	7/2008	McNamara et al.	D3/302

7,789,238	B2		9/2010	Claypool et al.		
D643,629	S	*	8/2011	Sofy et al.	D3/302
D646,057	S		10/2011	Loaiza		
D653,450	S	*	2/2012	Walter	D3/302
D654,690	S	*	2/2012	Sofy et al.	D3/309
2004/0118737	A1	*	6/2004	Welsh et al.	206/508
2008/0308447	A1	*	12/2008	Boland	206/512
2010/0006467	A1		1/2010	Joseph et al.		
2010/0193393	A1	*	8/2010	Humm et al.	206/503

OTHER PUBLICATIONS

Rubbermaid Incorporated; Rubbermaid, Home Organization, Keepers Window Bins; 1993, p. 1; Wooster, Ohio, United States of America.

* cited by examiner

Primary Examiner — Cathron Brooks

Assistant Examiner — Ethiene Salgado-Rodriguez

(74) *Attorney, Agent, or Firm* — Rubbermaid Incorporated

(57) **CLAIM**

The ornamental design for a “storage container with access panel,” as shown and described.

DESCRIPTION

FIG. 1 is a front and right side perspective view of a storage container with access panel, showing the front, right, and top sides of our new design, according to one embodiment;

FIG. 2 is a top plan view of the storage container with access panel shown in FIG. 1;

FIG. 3 is a bottom plan view of the storage container with access panel shown in FIG. 1;

FIG. 4 is a left side elevational view of the storage container with access panel shown in FIG. 1;

FIG. 5 is a right side elevational view of the storage container with access panel shown in FIG. 1;

FIG. 6 is a front side elevational view of the storage container with access panel shown in FIG. 1;

FIG. 7 is a back side elevational view of the storage container with access panel shown in FIG. 1;

FIG. 8 is a front and right side perspective view of the storage container with access panel shown in FIG. 1, showing an access panel in an alternate or open position;

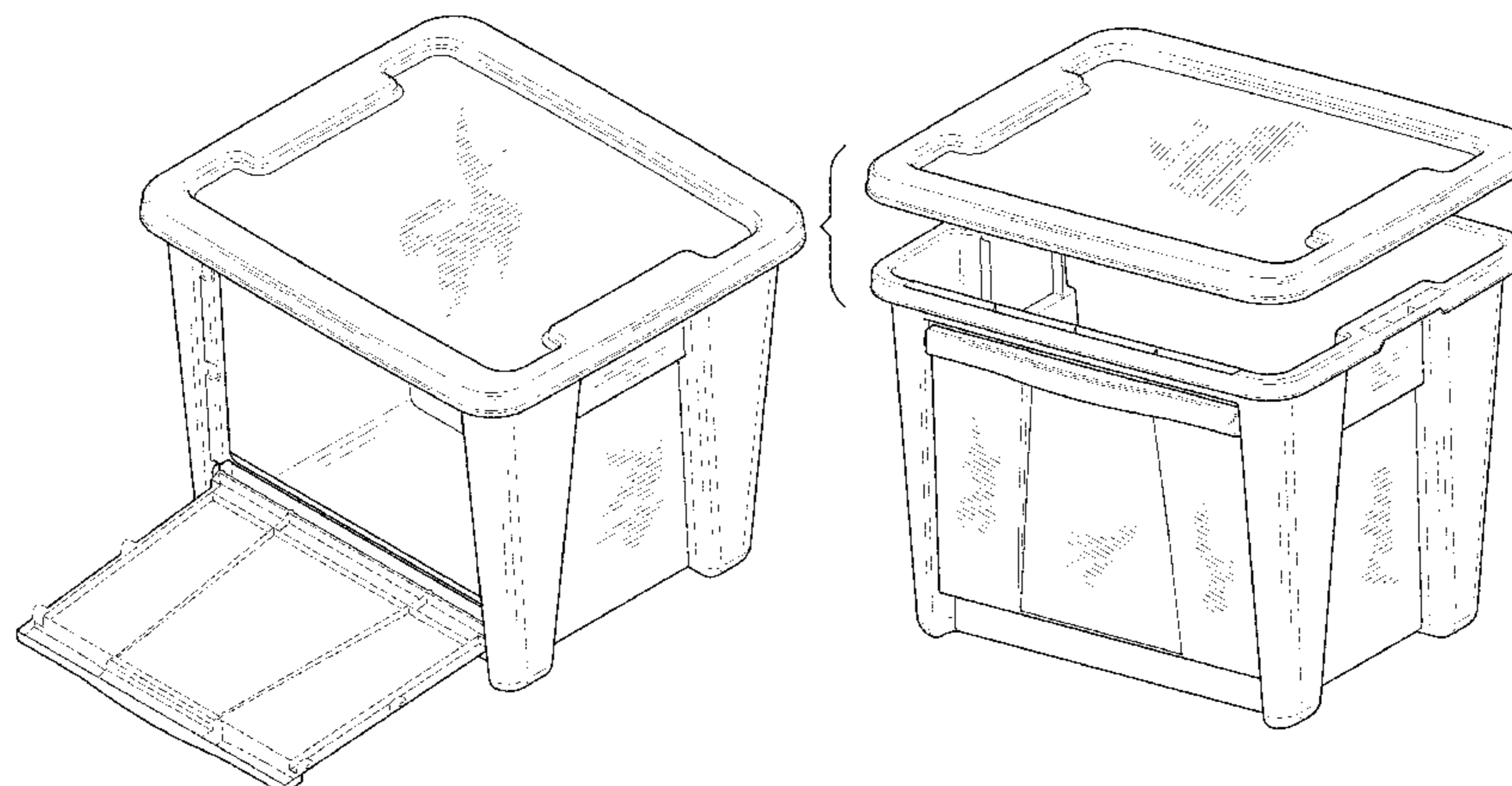


FIG. 9 is an exploded front and right side perspective view of the storage container with access panel shown in FIG. 1, showing a lid in an alternate or removed position;

FIG. 10 is a front and right side perspective view of the storage container with access panel, according to another embodiment, the left view being a mirror image to that shown in FIG. 10, and the bottom view being identical to that shown in FIG. 3;

FIG. 11 is a back side elevational view of the storage container with access panel shown in FIG. 10;

FIG. 12 is a front and right side perspective view of the storage container with access panel, according to yet another embodiment, the left view being a mirror image to that shown in FIG. 12, and the bottom view being identical to that shown in FIG. 3;

FIG. 13 is a bottom plan view of the storage container with access panel shown in FIG. 12;

FIG. 14 is a front and right side perspective view of the storage container with access panel, according to yet another embodiment, the left view being a mirror image to that shown in FIG. 14;

FIG. 15 is a back side elevational view of the storage container with access panel shown in FIG. 14; and,

FIG. 16 is a bottom plan view of the storage container with access panel shown in FIG. 14.

The even broken lines represent portions of the storage container that form no part of the claimed design. The break lines immediately adjacent to the claimed areas, shown in FIGS. 10-16, indicate that any portion of the article beyond what is shown forms no part of the claimed design.

1 Claim, 16 Drawing Sheets

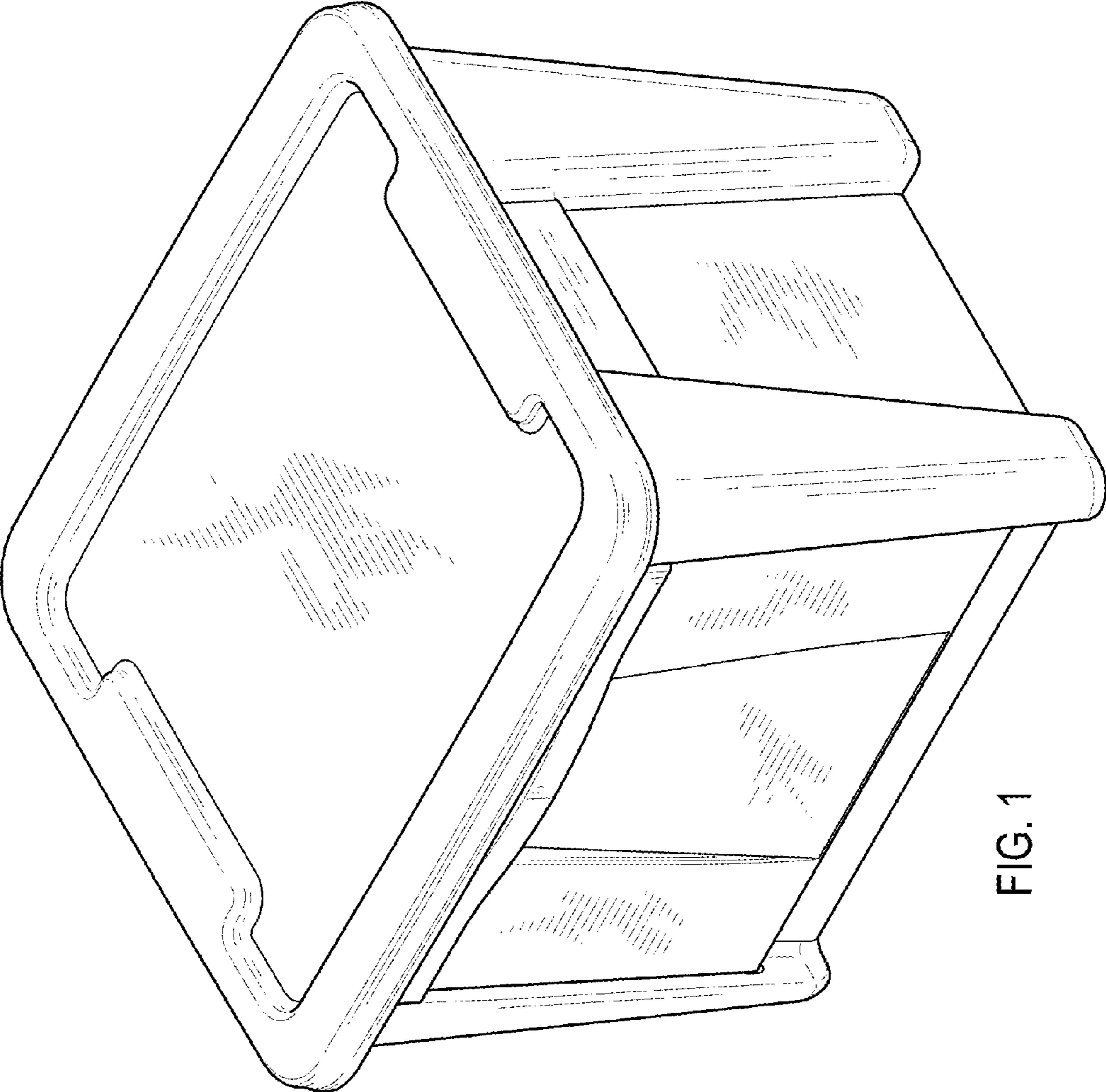


FIG. 1

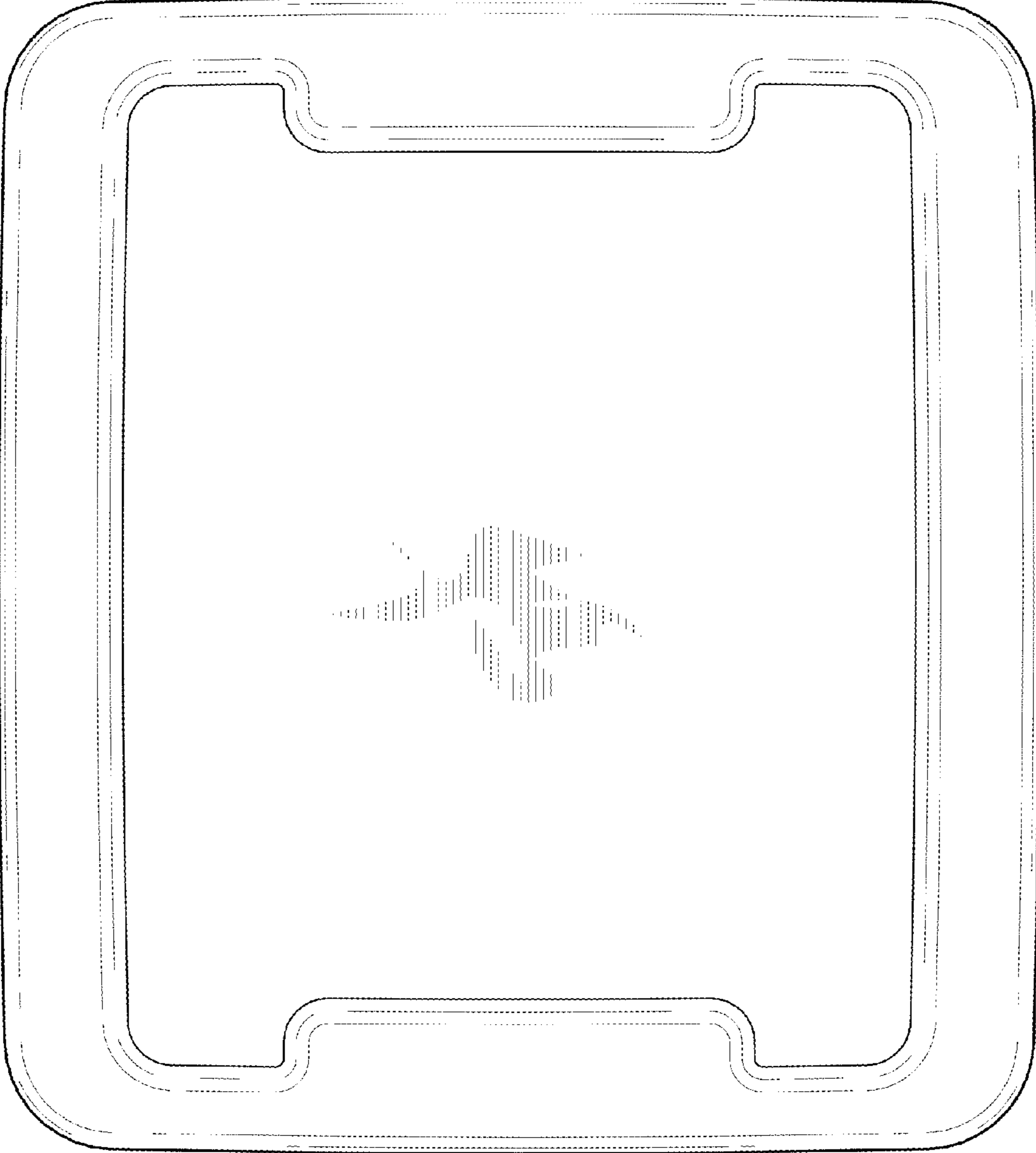


FIG. 2

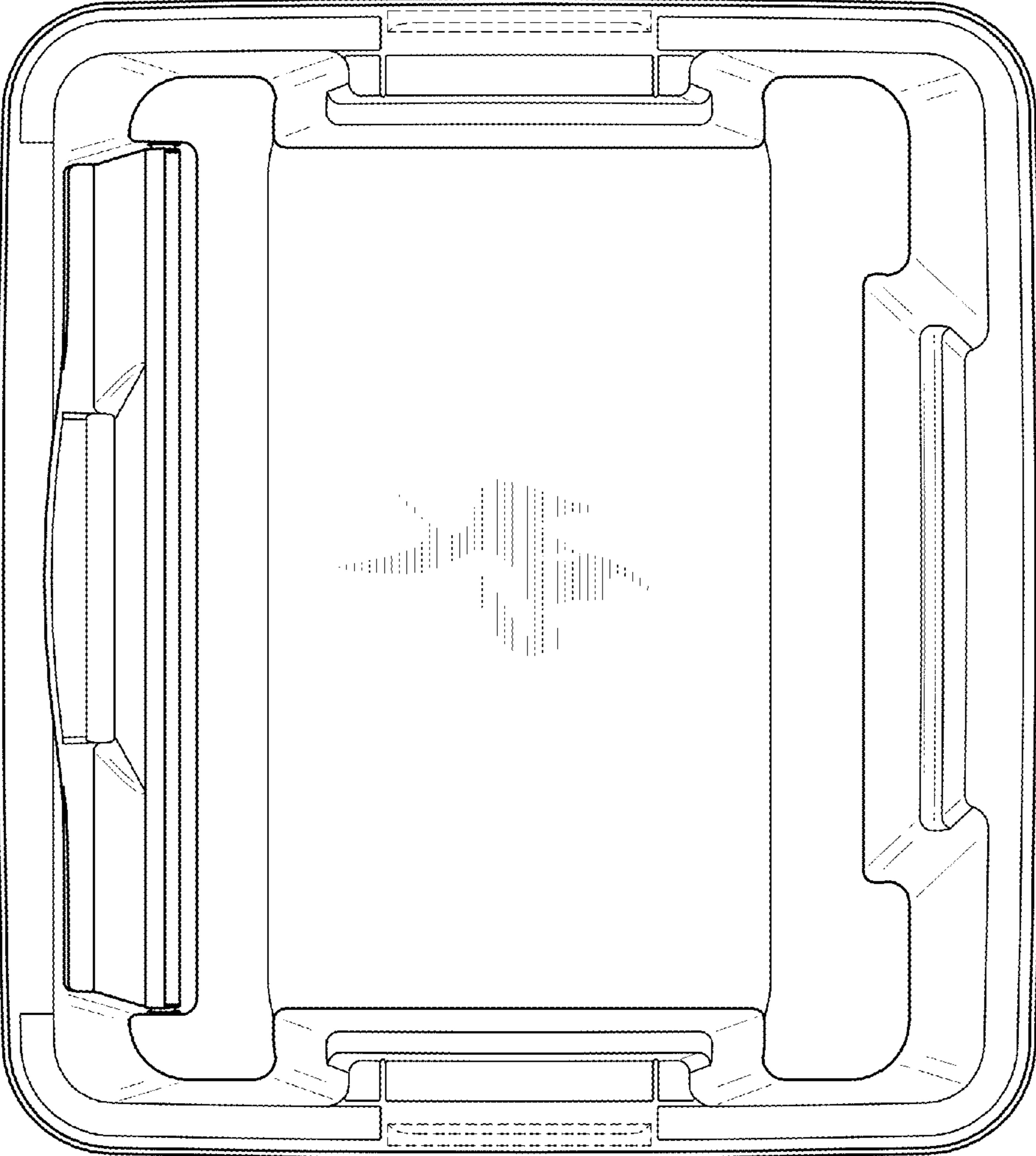


FIG. 3

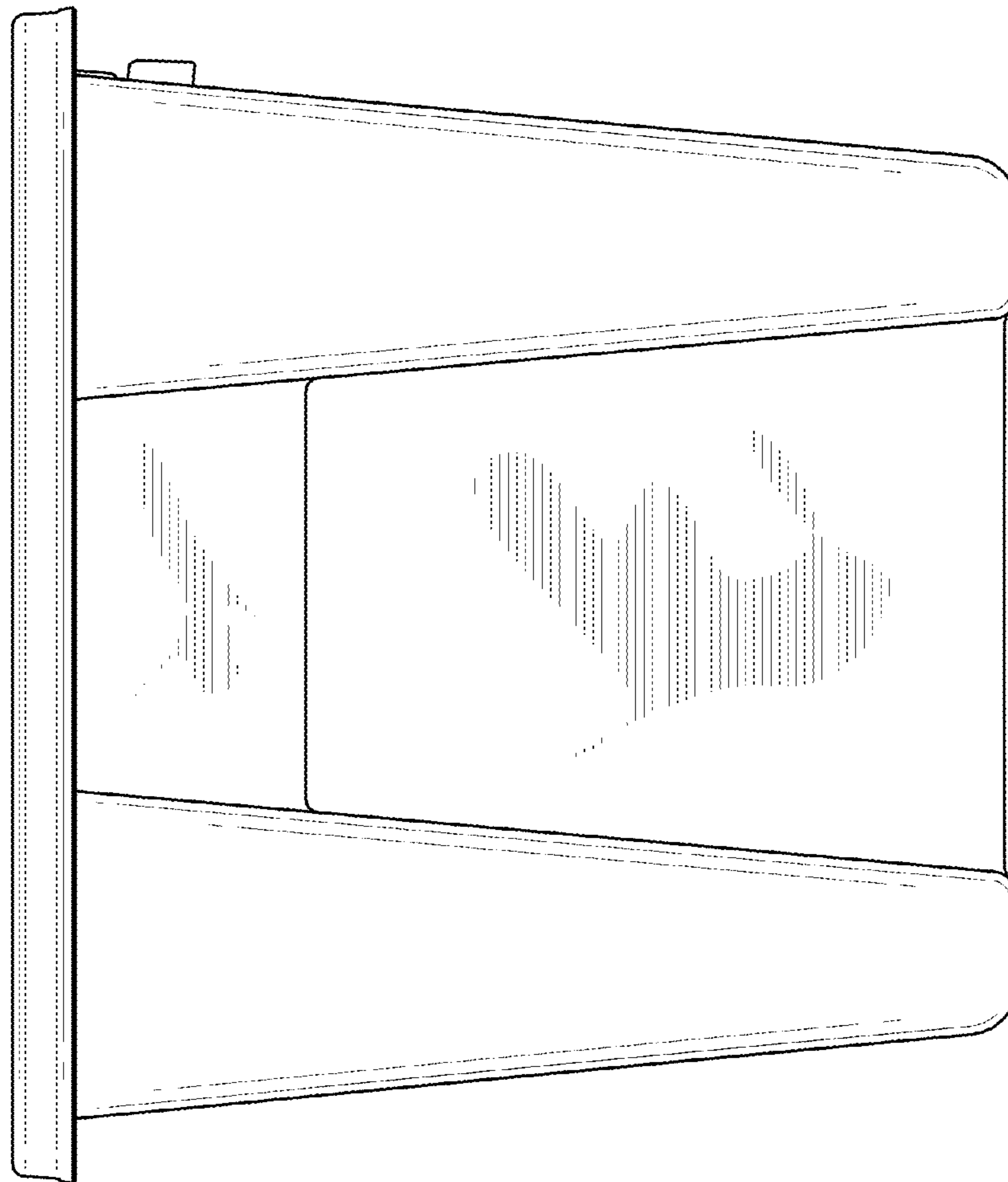


FIG. 4

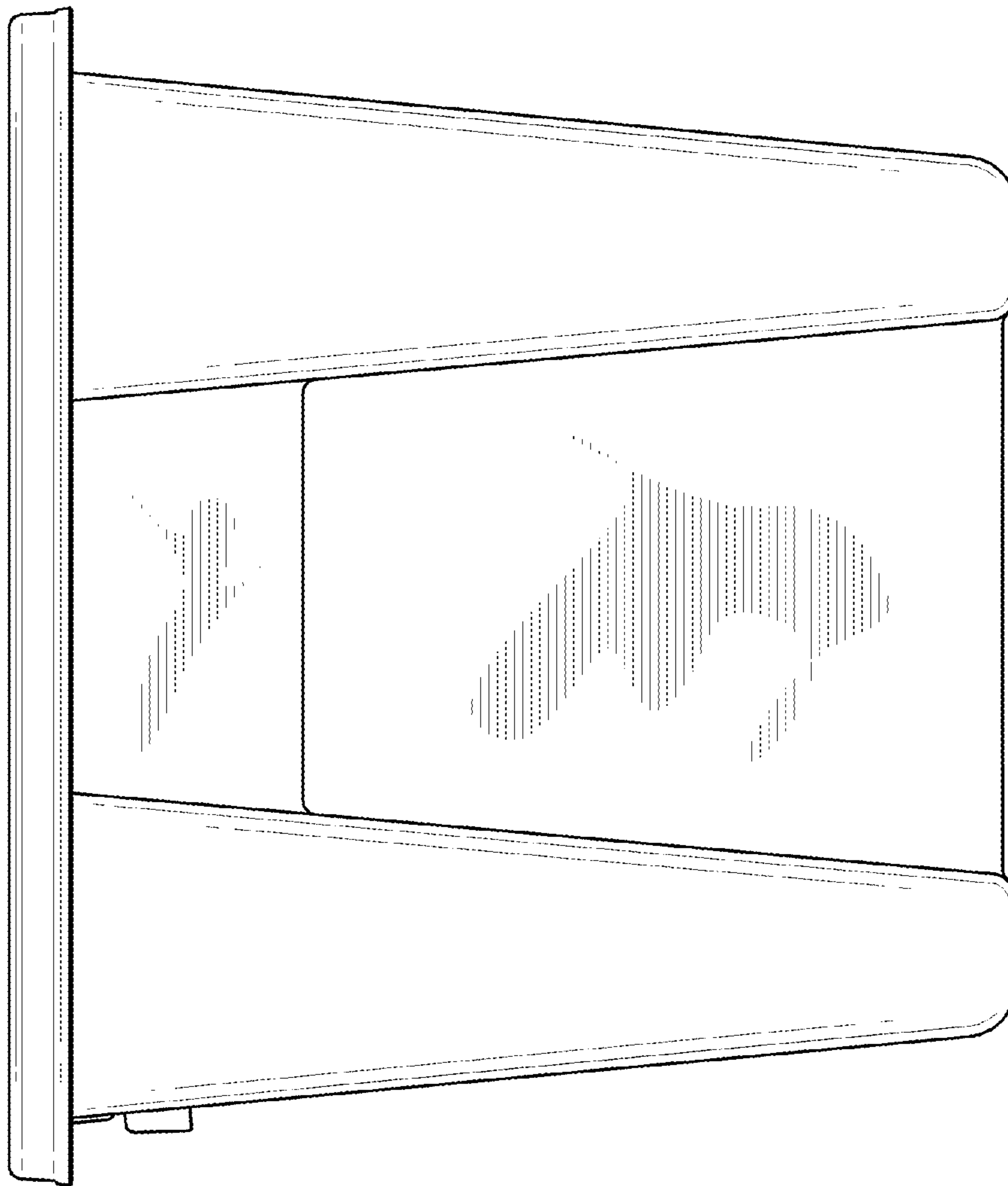


FIG. 5

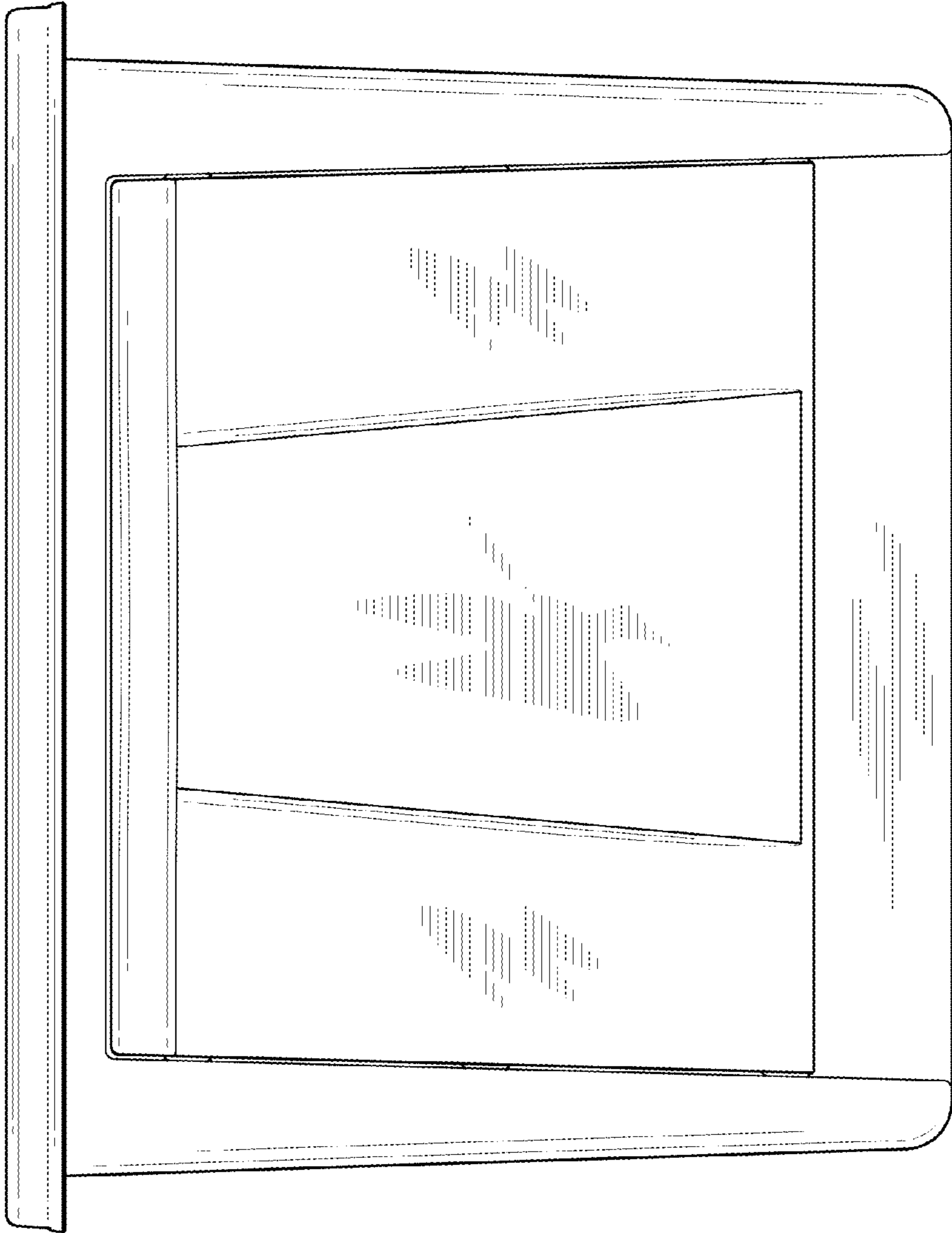


FIG. 6

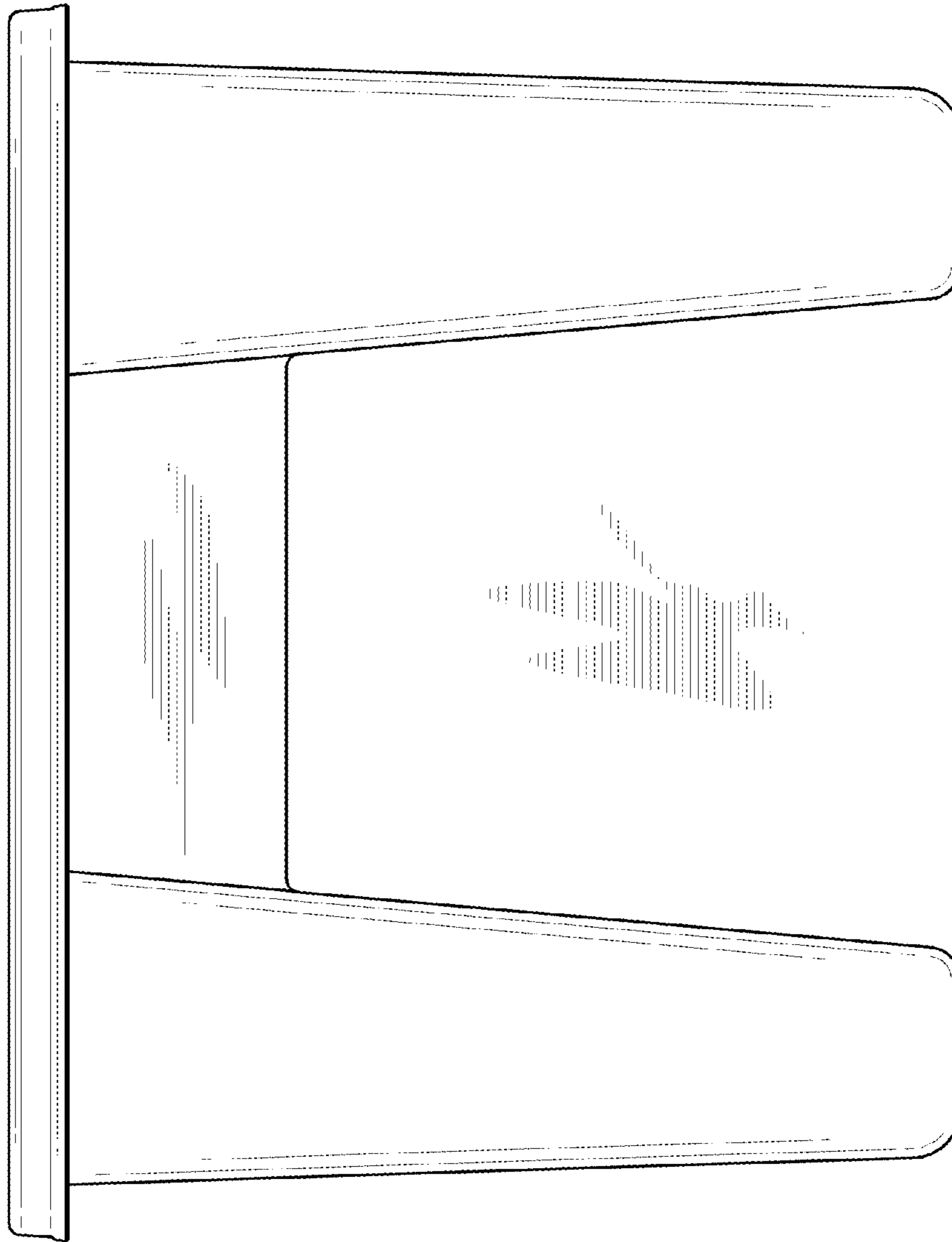


FIG. 7

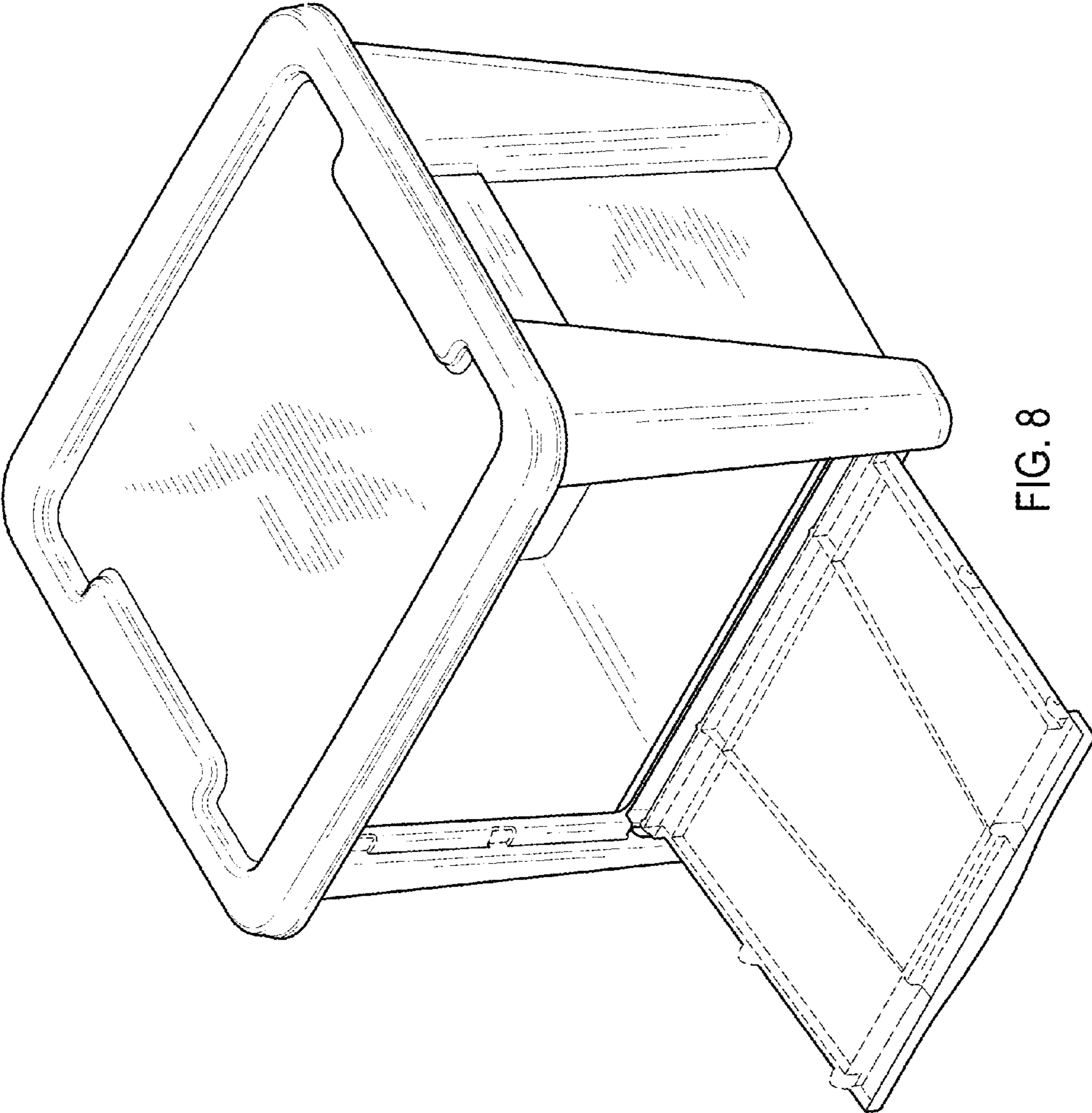


FIG. 8

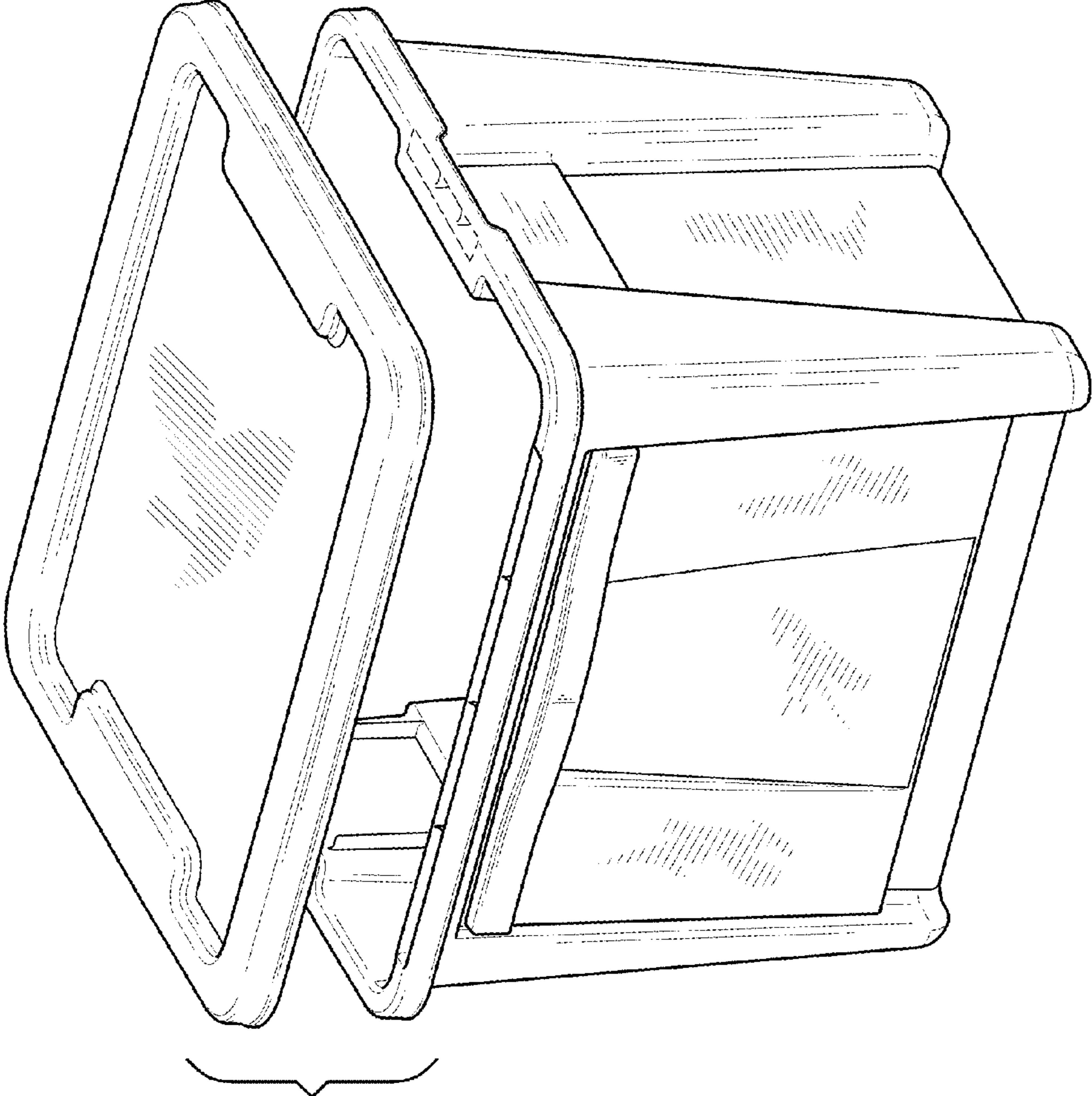


FIG. 9

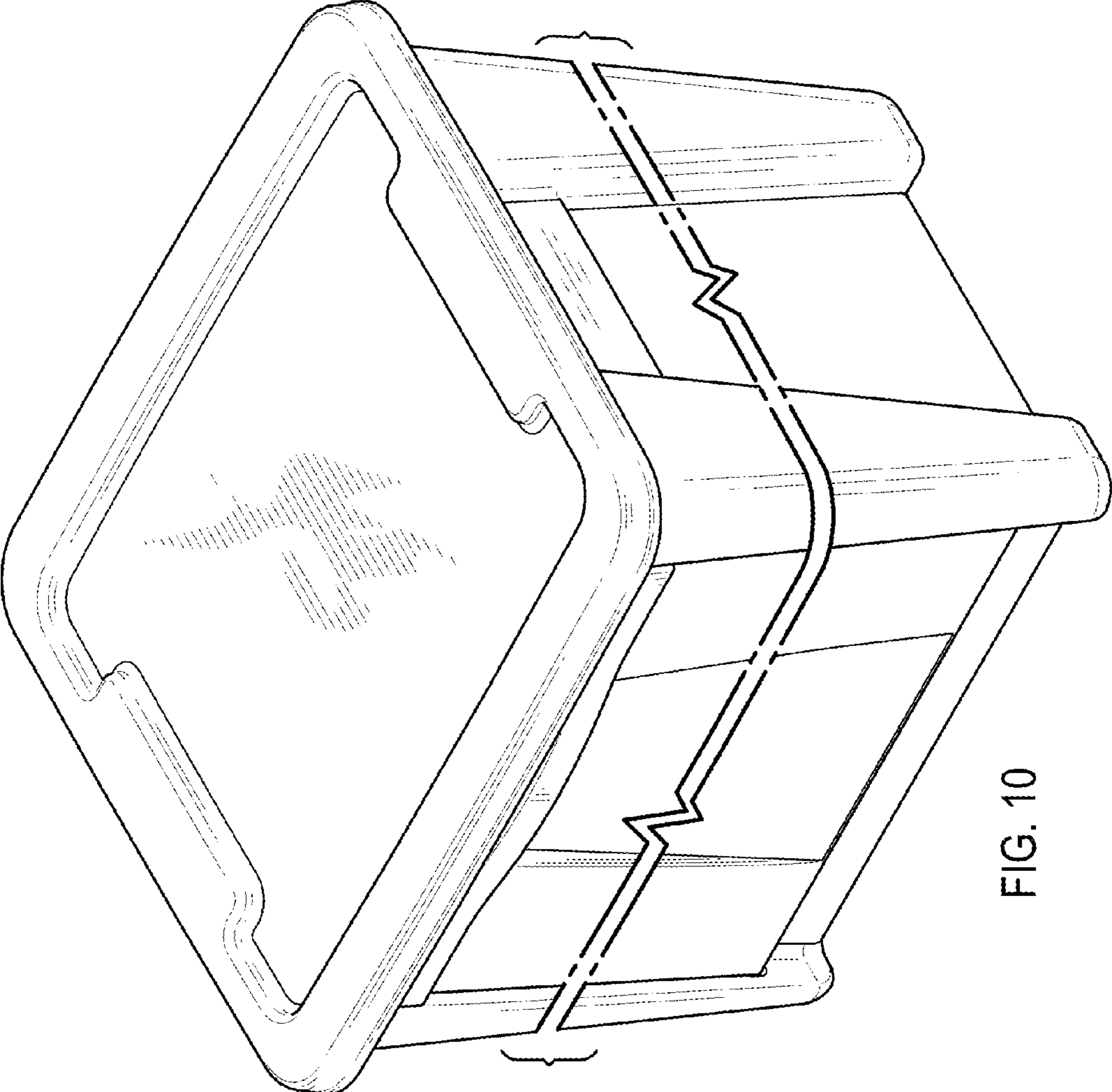


FIG. 10

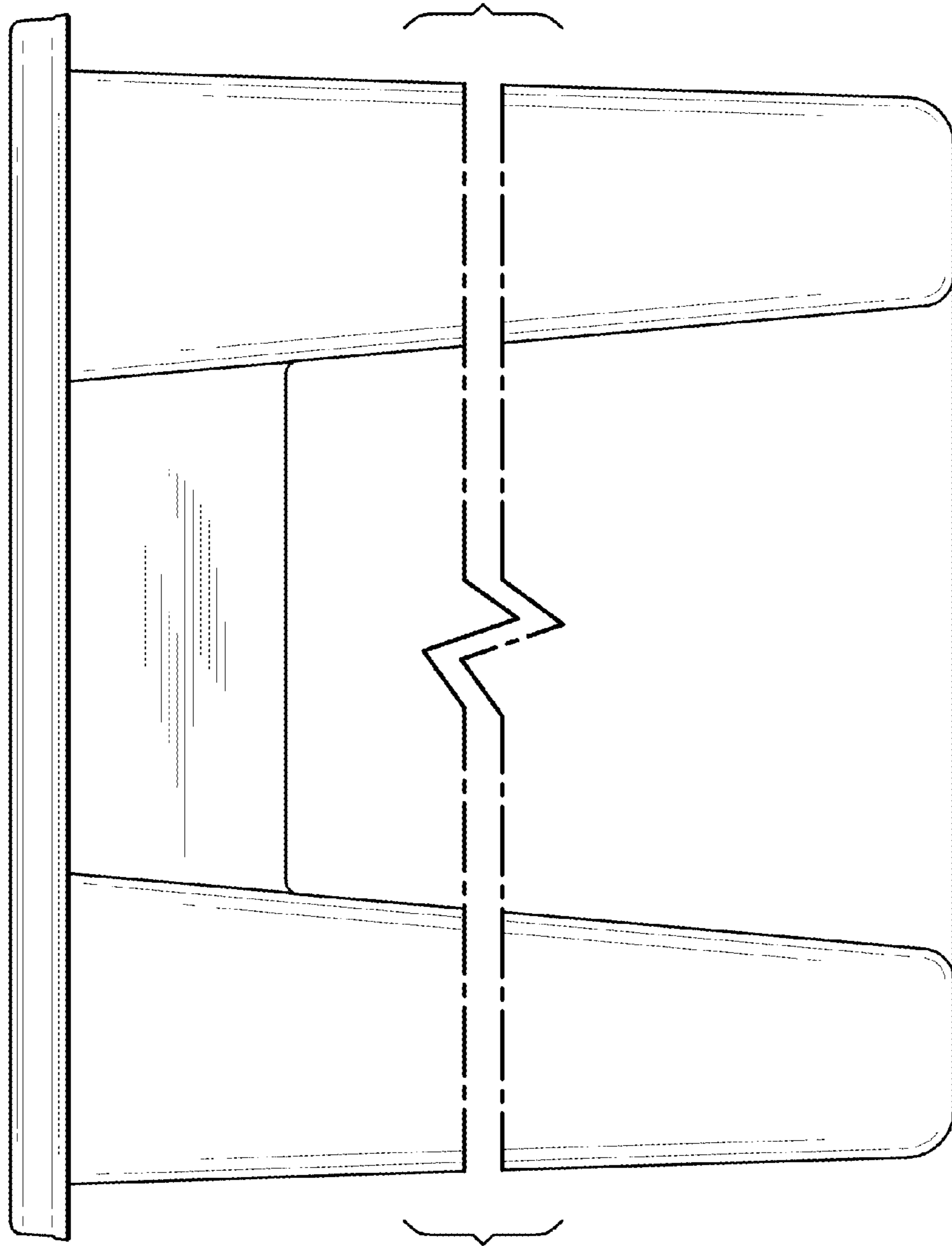


FIG. 11

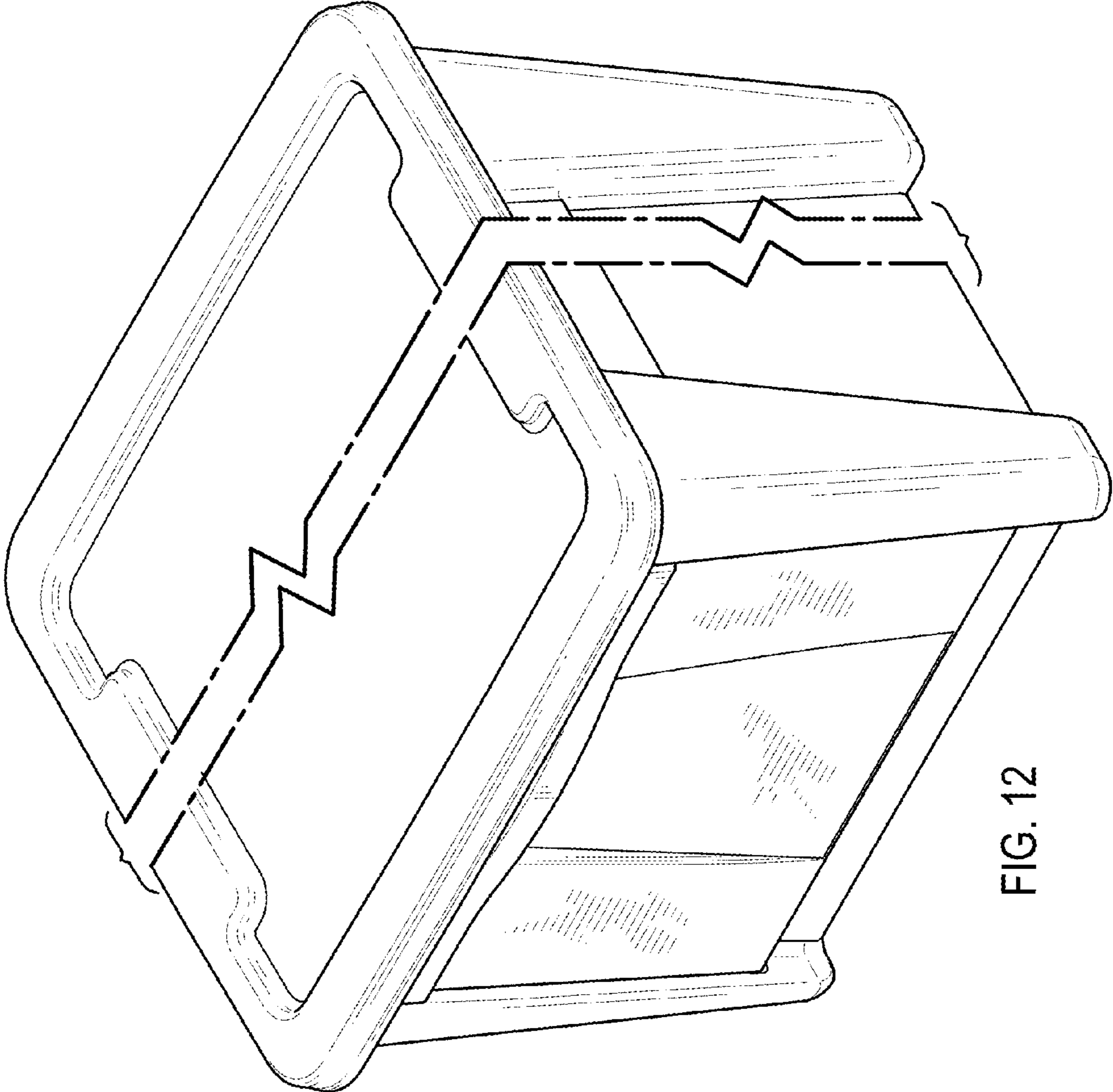


FIG. 12

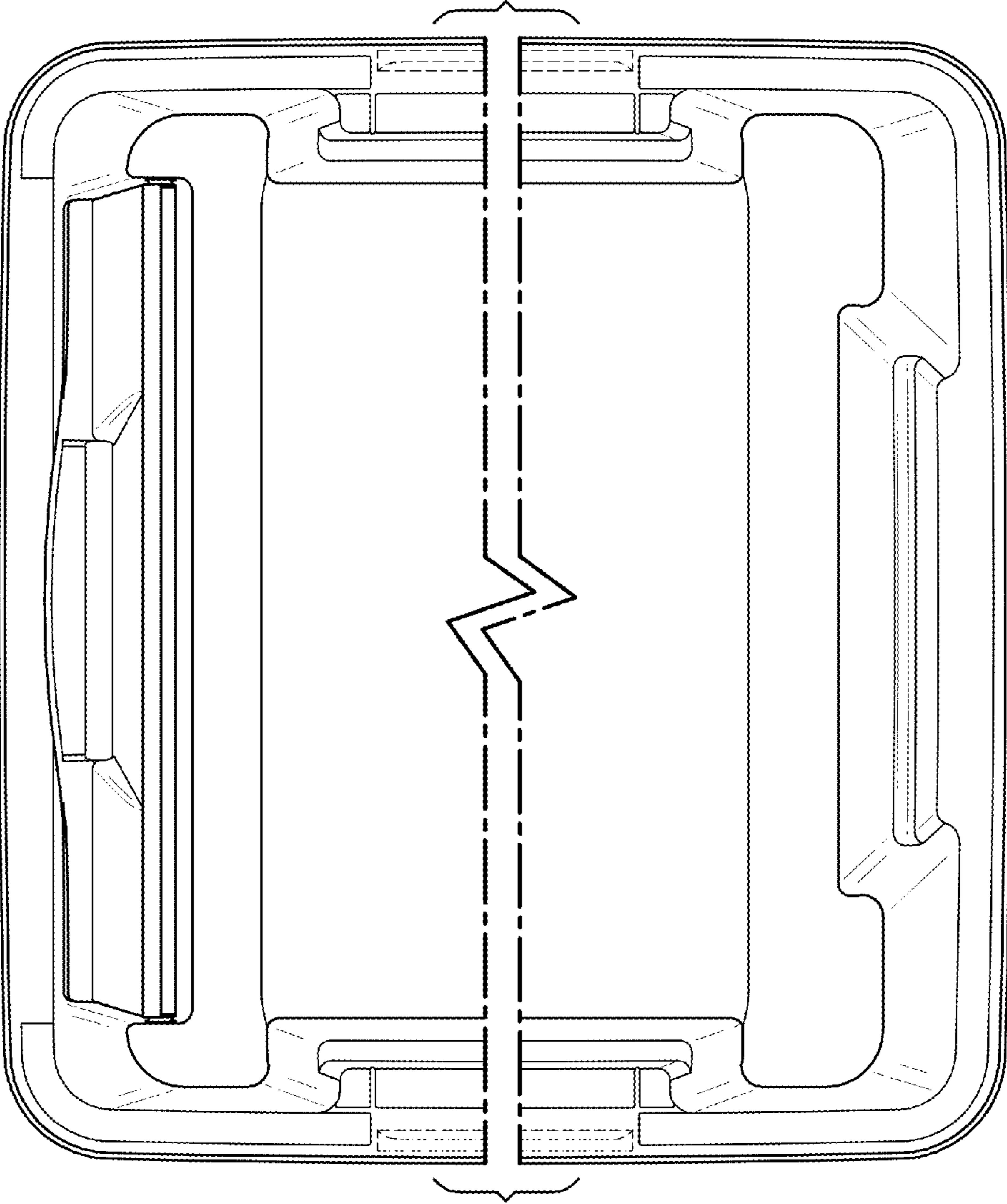


FIG. 13

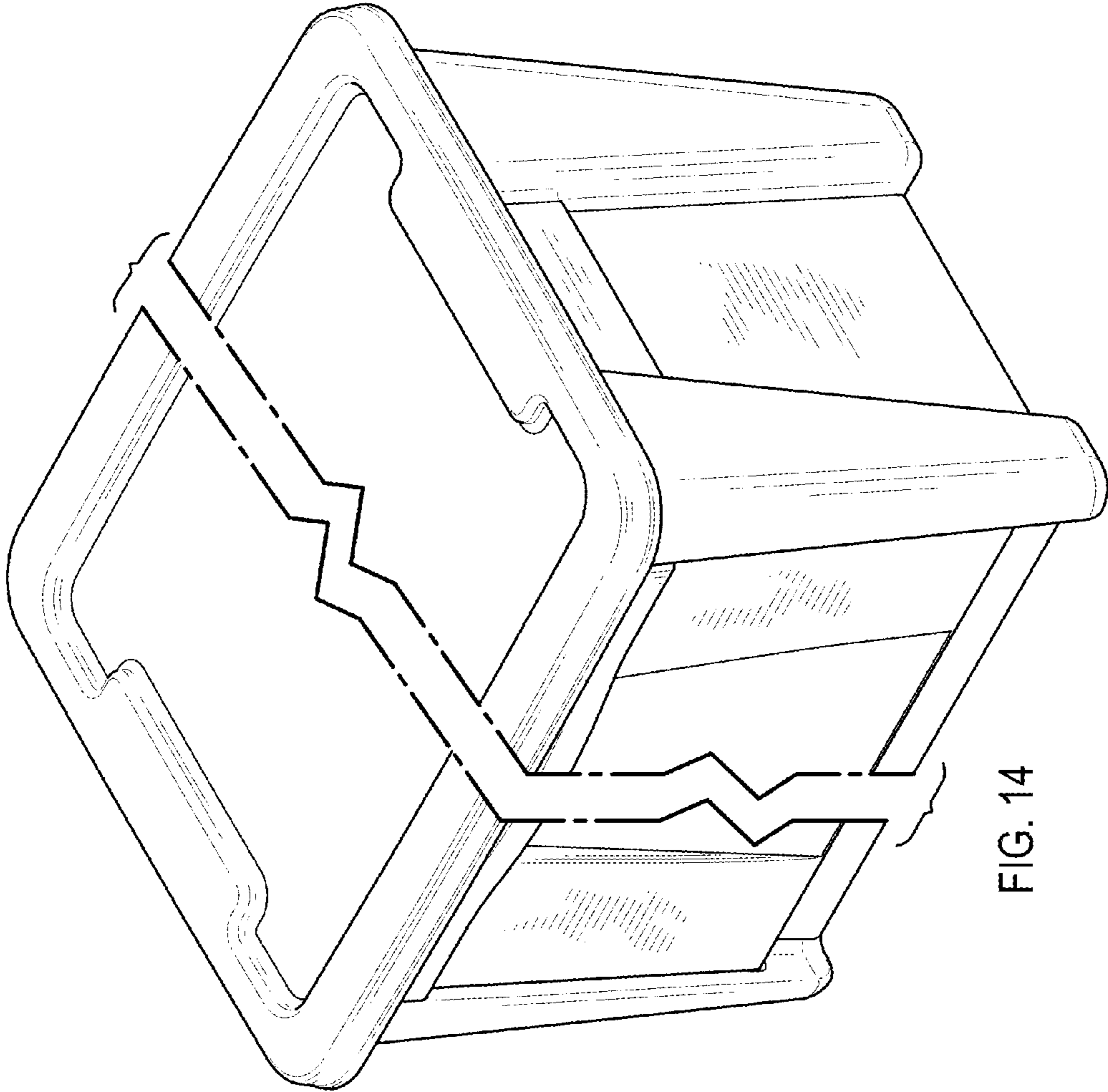


FIG. 14

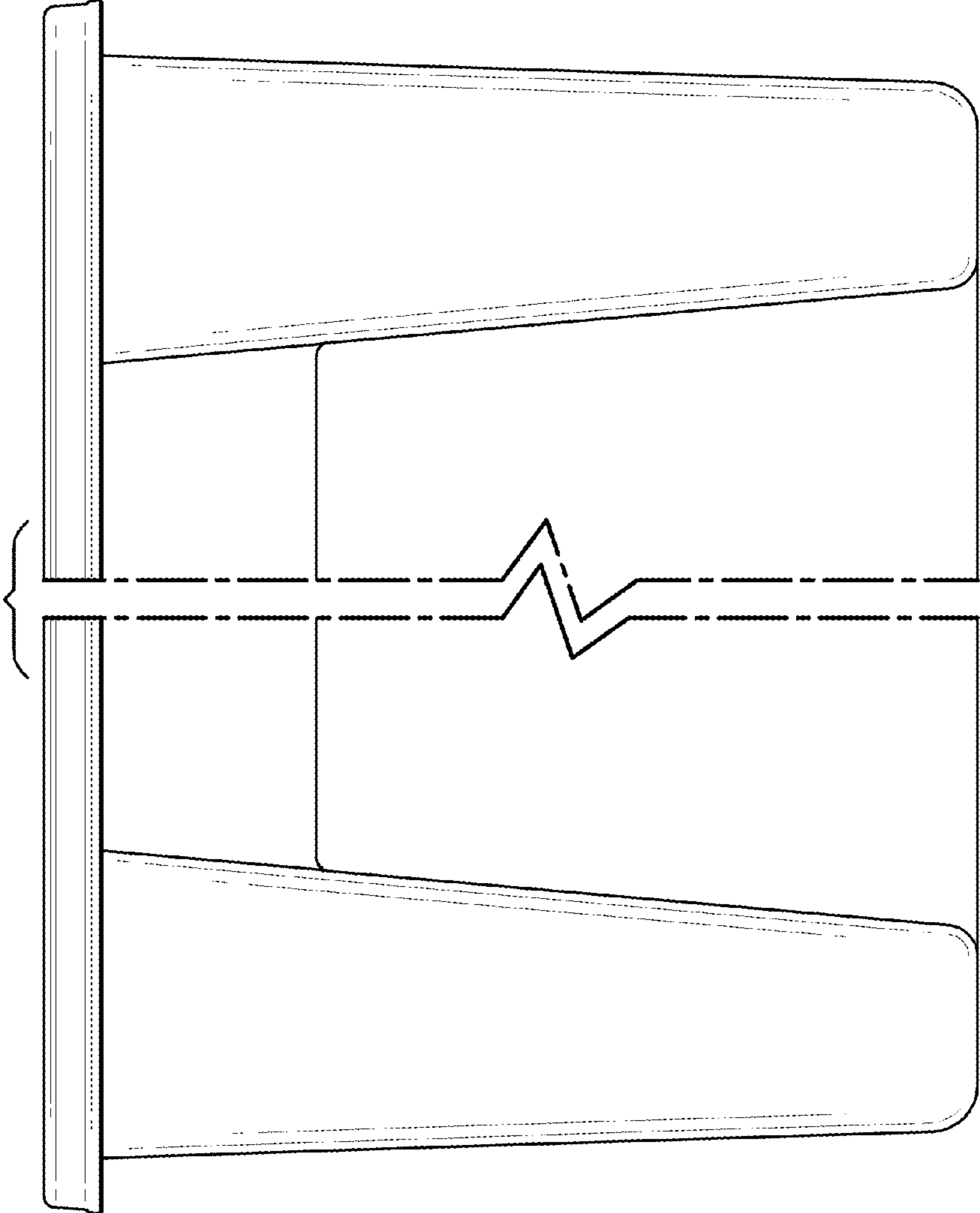


FIG. 15

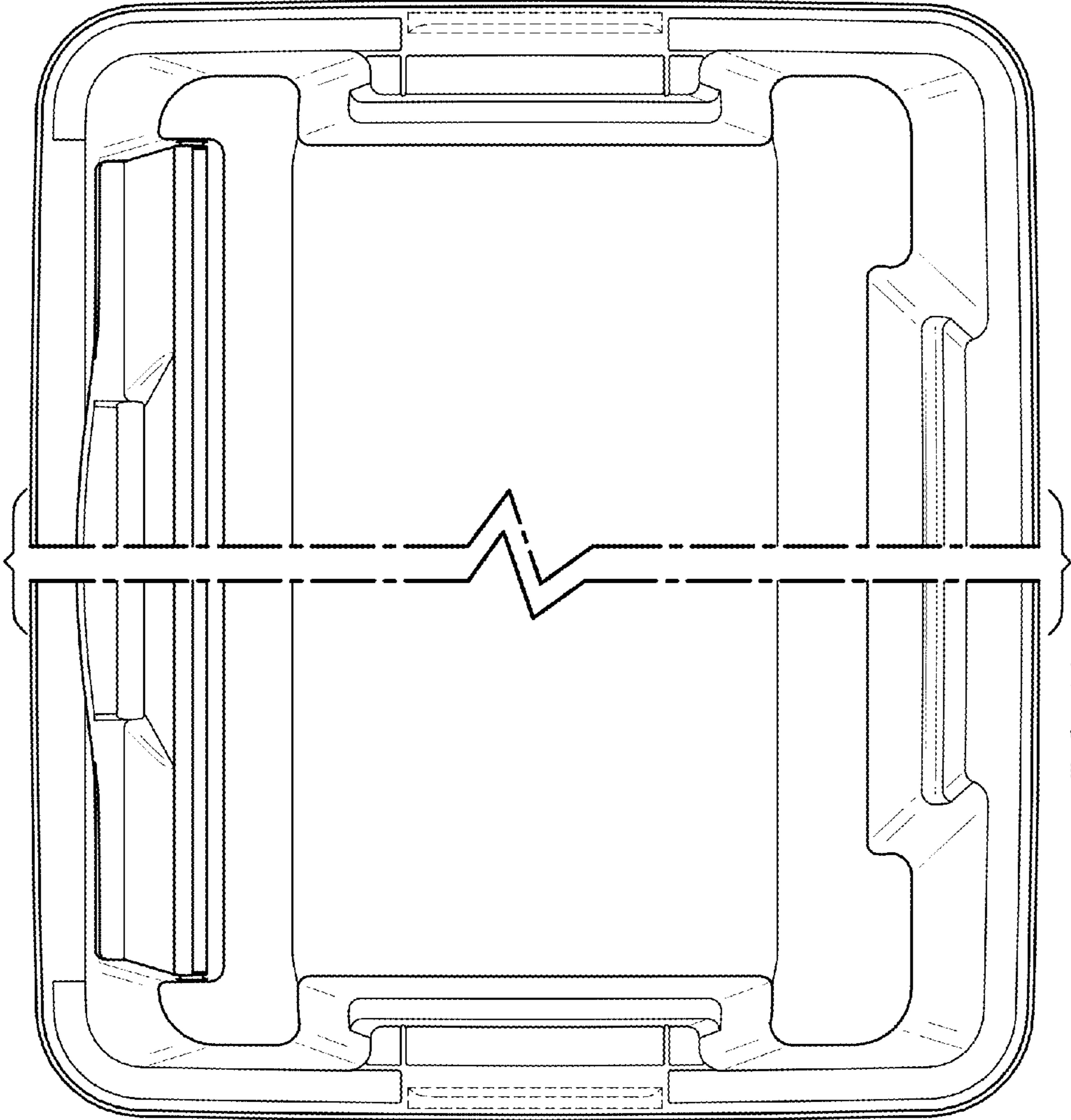


FIG. 16