



US00D719728S

(12) **United States Design Patent**  
**Carrizo**

(10) **Patent No.:** **US D719,728 S**  
(45) **Date of Patent:** **\*\* Dec. 23, 2014**

(54) **FOOTWEAR UPPER**

D631,241 S 1/2011 Ng  
D646,876 S 10/2011 Roldan  
D647,288 S \* 10/2011 Carpenter ..... D2/912

(71) Applicant: **Deckers Outdoor Corporation**, Goleta,  
CA (US)

(72) Inventor: **Hector Rubio Carrizo**, London (GB)

(73) Assignee: **Deckers Outdoor Corporation**, Goleta,  
CA (US)

(\*\*) Term: **14 Years**

(21) Appl. No.: **29/490,915**

(22) Filed: **May 15, 2014**

(51) **LOC (10) Cl.** ..... **02-04**

(52) **U.S. Cl.**  
USPC ..... **D2/970; D2/912**

(58) **Field of Classification Search**  
CPC ..... A43B 3/02; A43B 3/12; A43B 3/16;  
A43B 23/00; A43B 23/02; A43B 23/26  
USPC ..... D2/896, 900, 909-911, 920, 943, 946,  
D2/969, 970, 974; 36/83, 1.5, 2 R, 109, 3 A,  
36/7.1 R, 45, 52, 112, 113, 100  
See application file for complete search history.

(56) **References Cited**

**U.S. PATENT DOCUMENTS**

1,538,104 A	5/1925	Foster	
D101,977 S	* 11/1936	Zuckerman	..... D2/912
D154,507 S	* 7/1949	Page	..... D2/912
D164,667 S	* 10/1951	Bingham, Jr.	..... D2/912
D199,558 S	* 11/1964	Cohn	..... D2/912
D314,272 S	* 2/1991	Laycock	..... D2/897
D544,682 S	* 6/2007	Belley et al.	..... D2/970
D552,840 S	* 10/2007	Blumenfeld	..... D2/970
D584,889 S	1/2009	Le	
D585,635 S	2/2009	Le	
D600,903 S	* 9/2009	Belley et al.	..... D2/970
D630,833 S	1/2011	Ng	

**OTHER PUBLICATIONS**

Ugg Australia Bailey Bow model, www.ugg.australia.com, https://web.archive.org/web/20121002051839/http://www.uggaustralia.com/womens-bailey-bow-sheepskin-boot/1002954.default.pd.html; Oct. 2, 2012, see images.  
Ugg Australia Infants Boo model, www.uggaustralia.com, http://www.uggaustralia.com/baby/boo/5206.html?dwvar\_5206\_color=BPNK; see review dated Jul. 7, 2010, see images.

\* cited by examiner

*Primary Examiner* — Ian Simmons

*Assistant Examiner* — Rashida C McCoy

(74) *Attorney, Agent, or Firm* — Greer, Burns & Crain, Ltd.

(57) **CLAIM**

The ornamental design for a footwear upper, as shown and described.

**DESCRIPTION**

FIG. 1 is a perspective view of a footwear upper showing the new design;

FIG. 2 is a side elevational view thereof;

FIG. 3 is an opposite side elevational view thereof;

FIG. 4 is a front elevational view thereof;

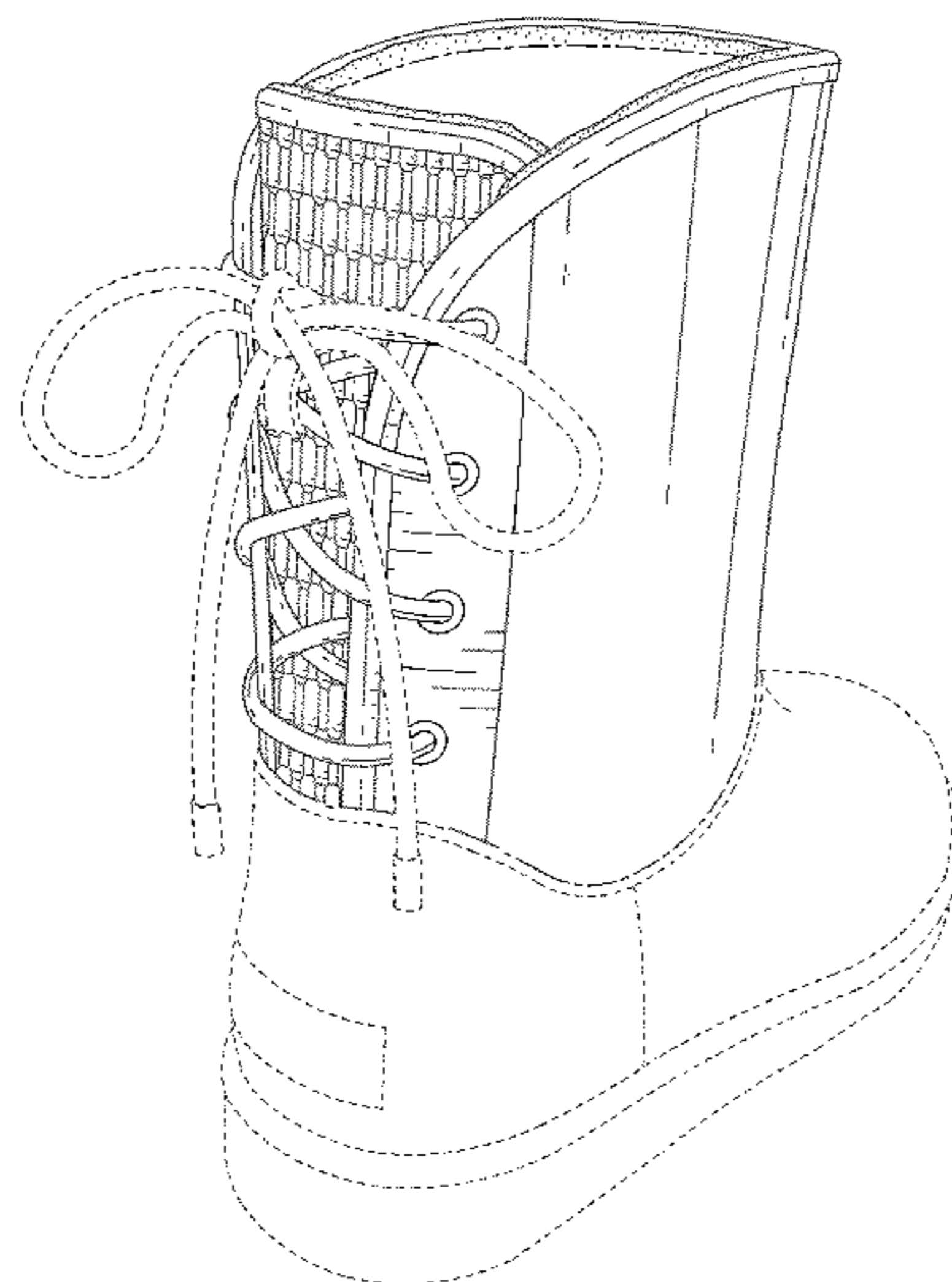
FIG. 5 is a rear elevational view thereof;

FIG. 6 is a top plan view thereof; and,

FIG. 7 is a bottom plan view thereof.

The broken lines in FIGS. 1-7 represent portions of the footwear that form no part of the claimed design. The dot-dash line located between the exterior and the interior of the footwear upper, and the dot-dash line on the shaft of the footwear upper define the bounds of the claimed design and form no part thereof.

**1 Claim, 6 Drawing Sheets**



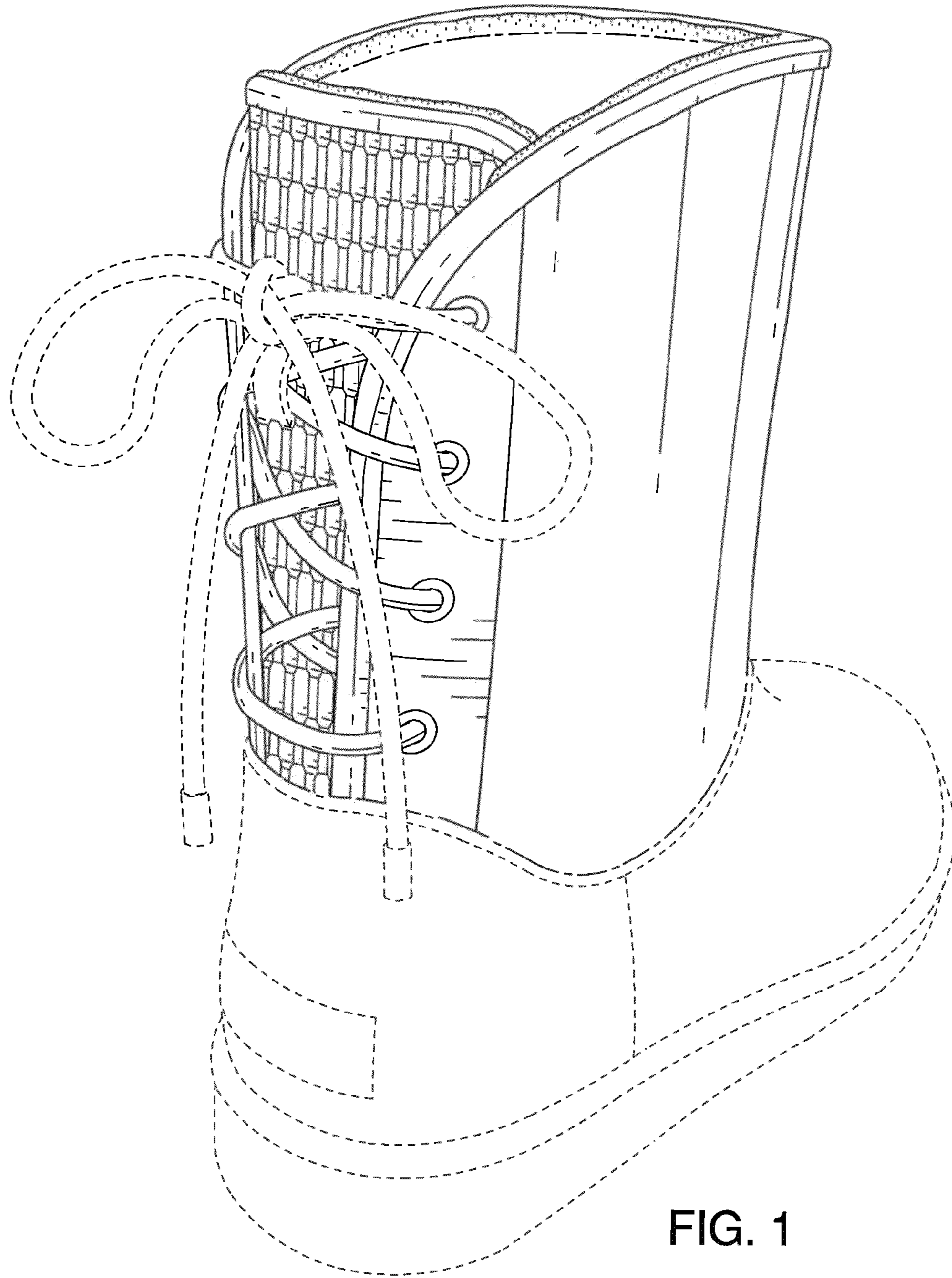


FIG. 1

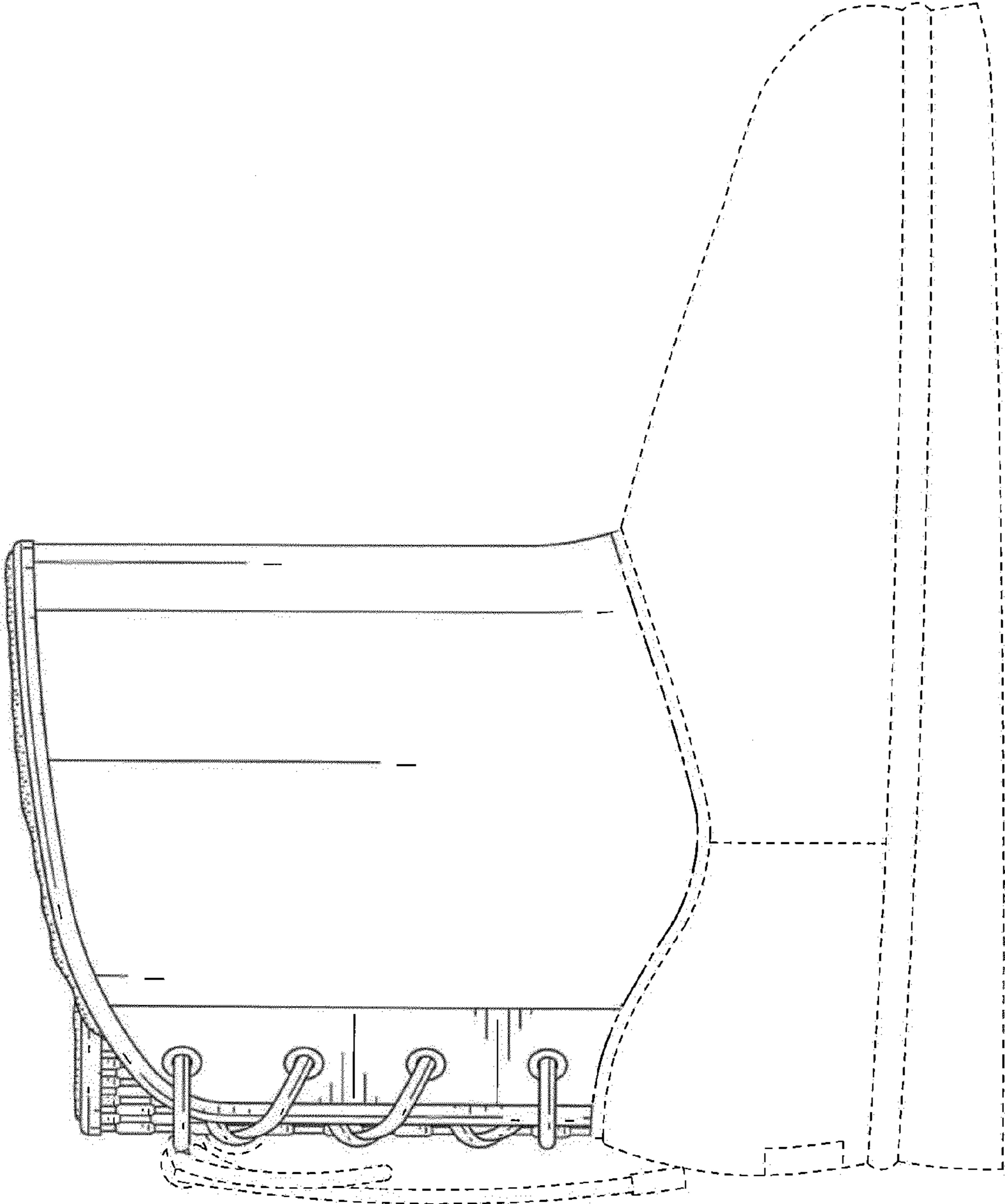


FIG. 2

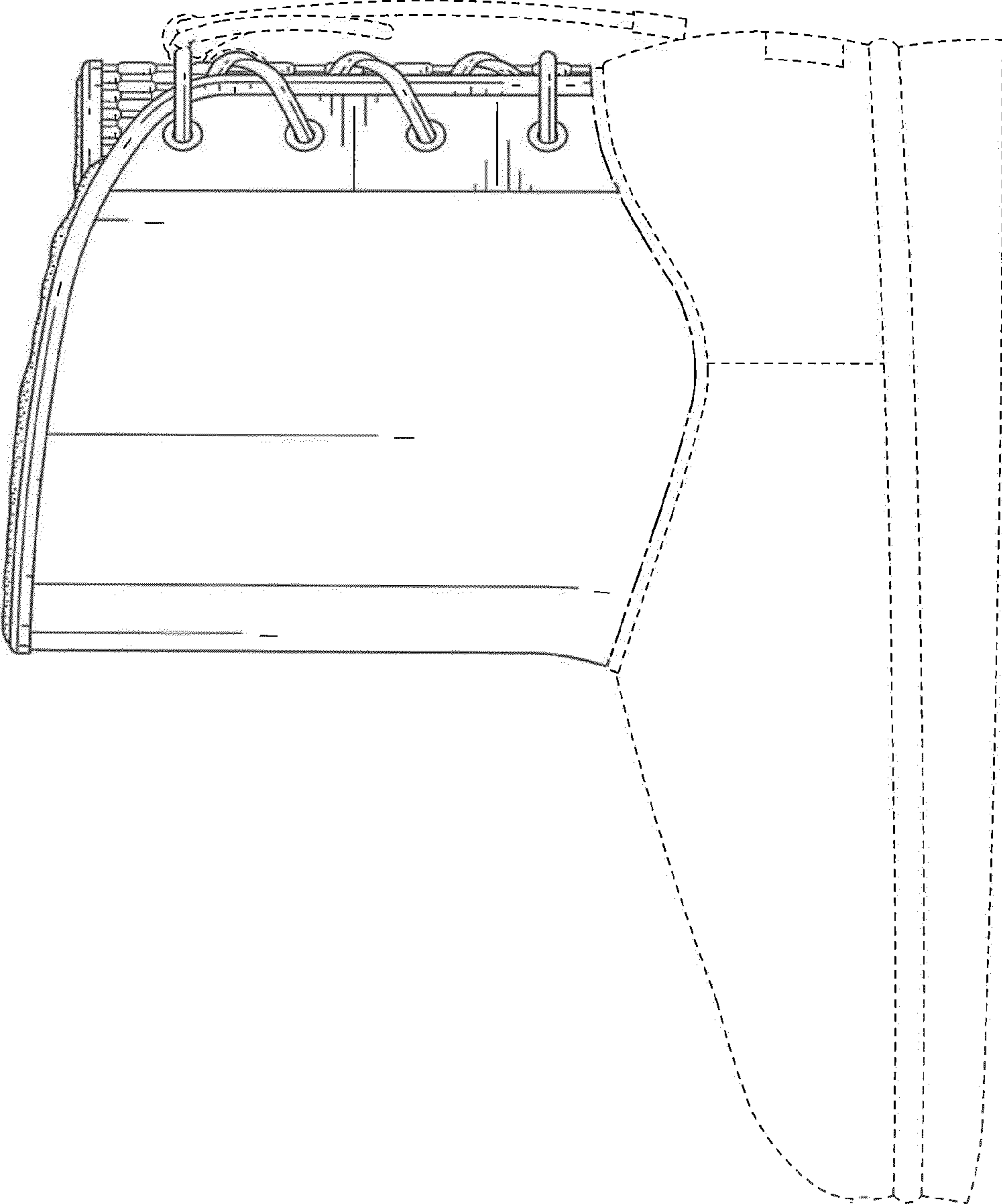


FIG. 3

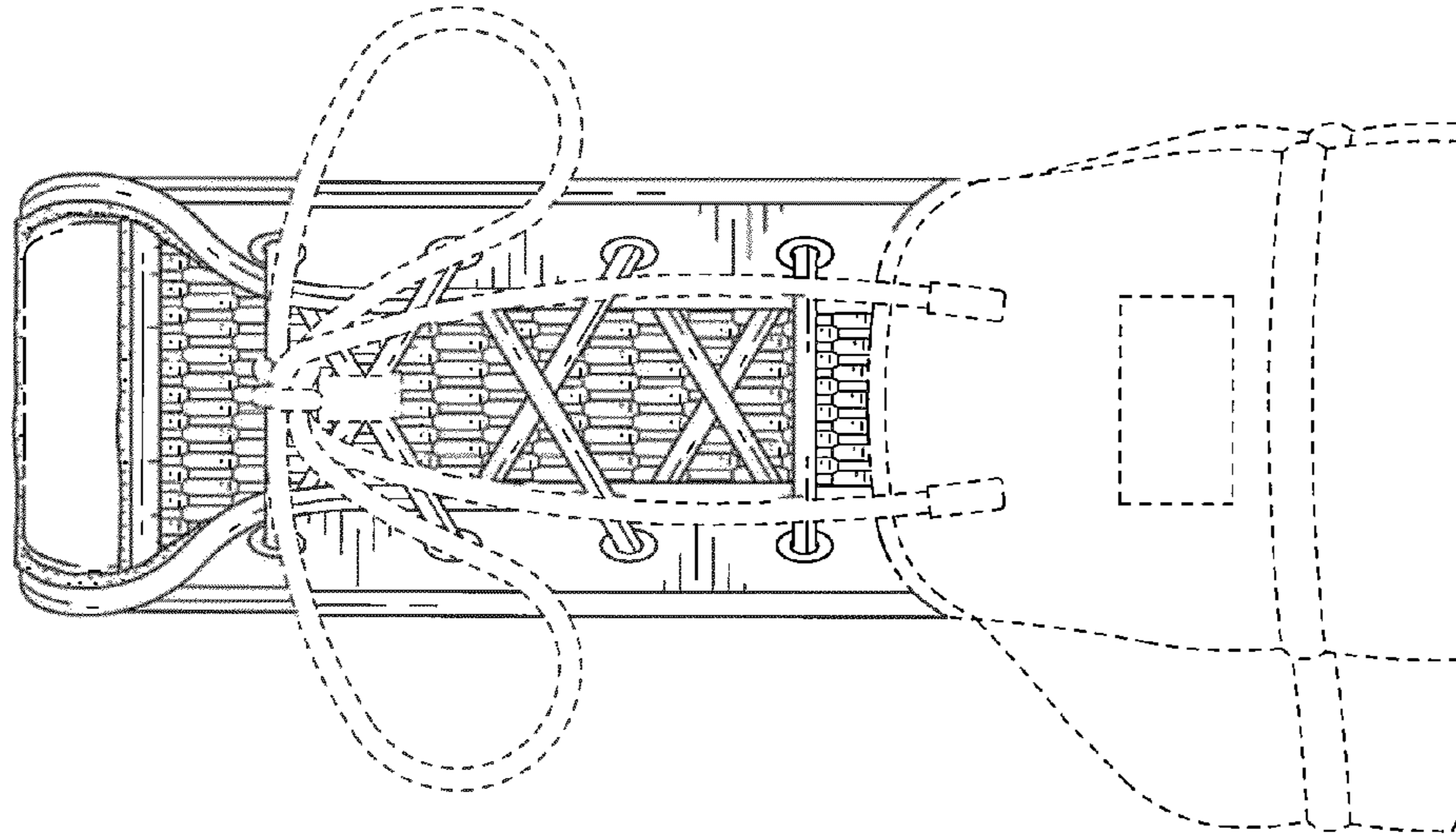


FIG. 5

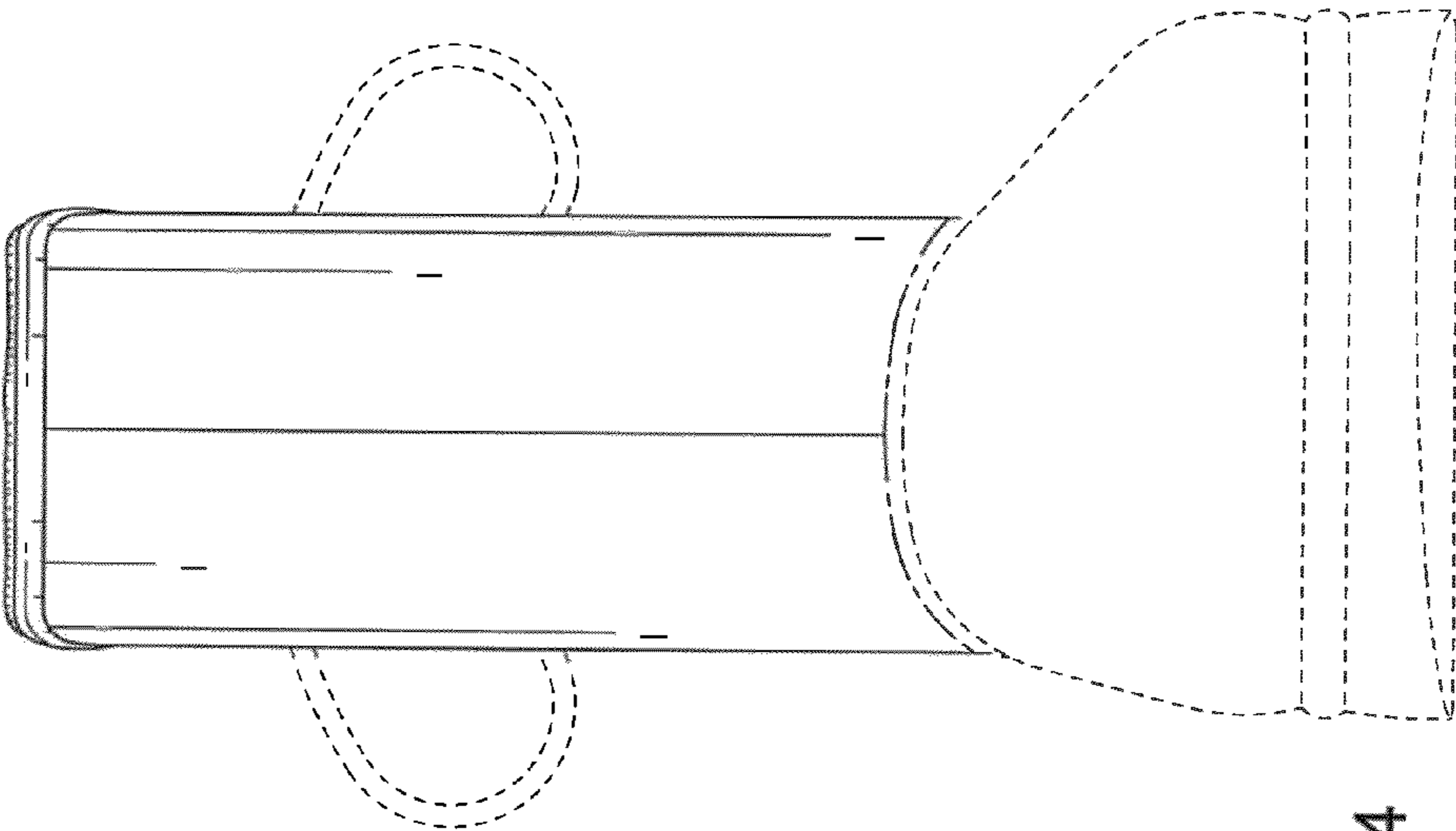


FIG. 4

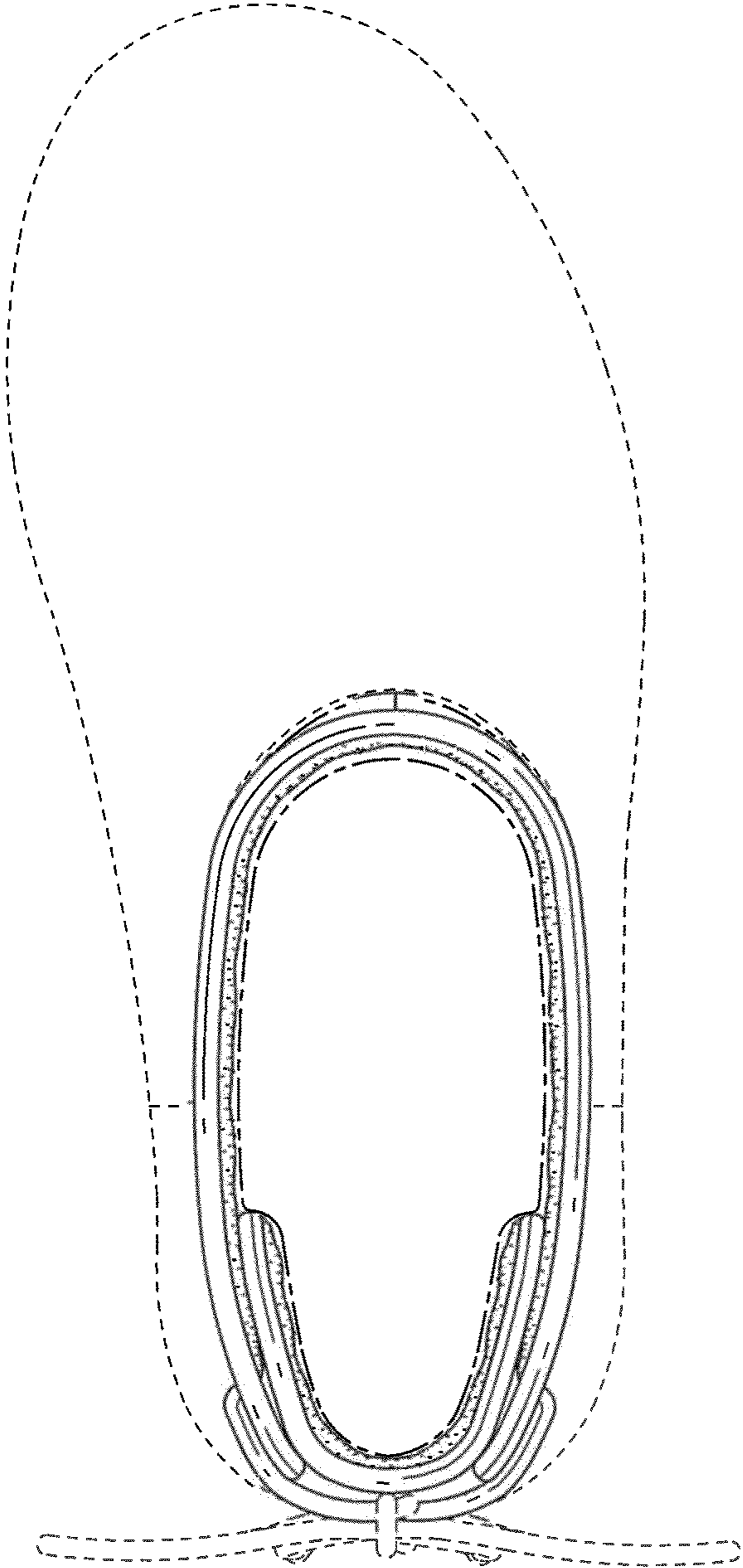


FIG. 6

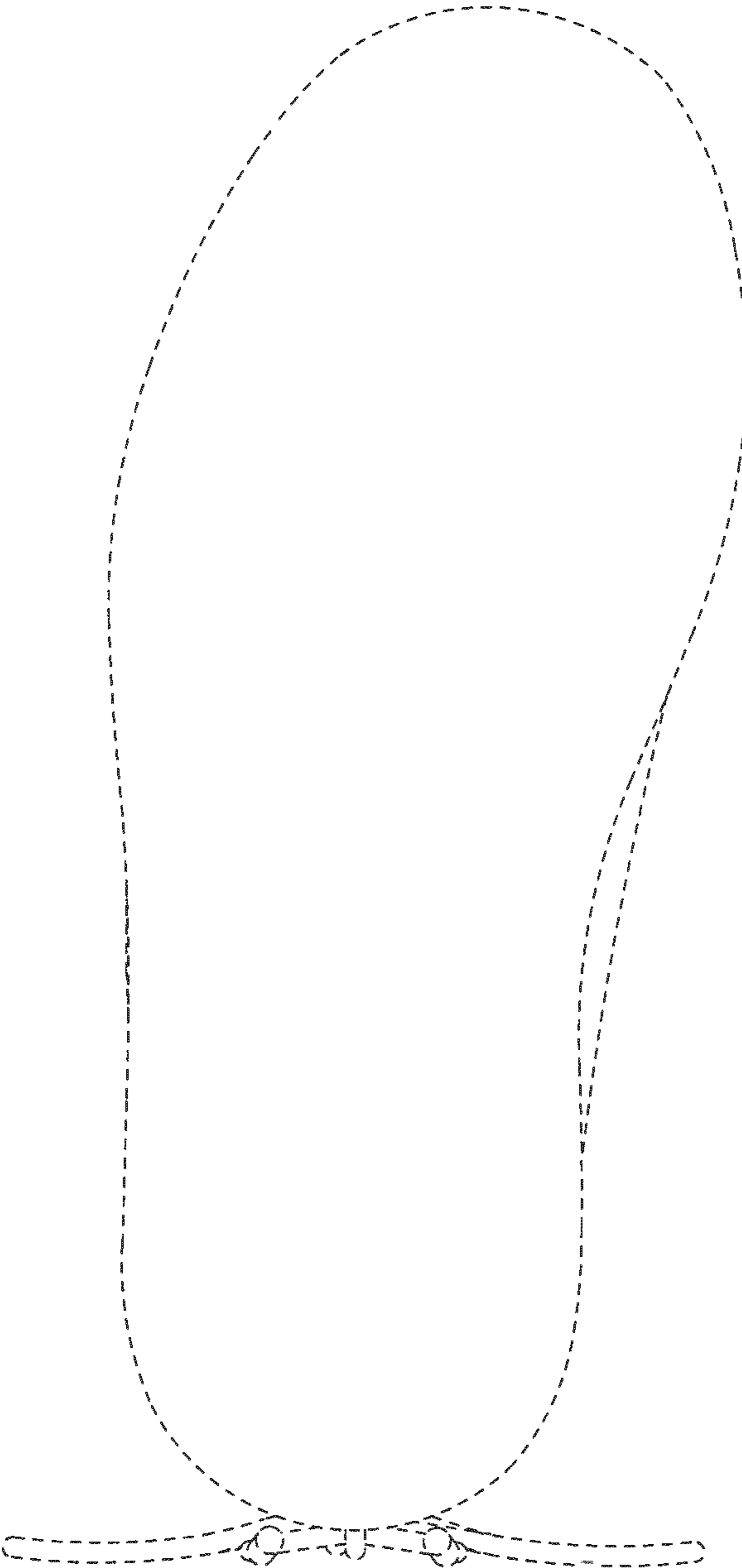


FIG. 7