



US00D719718S

(12) **United States Design Patent**  
**Schweitzer**

(10) **Patent No.:** **US D719,718 S**  
(45) **Date of Patent:** **\*\* Dec. 23, 2014**

(54) **CONFECTION**

(71) Applicant: **Societe des Produits Nestle S.A., Vevey**  
(CH)

(72) Inventor: **Christian Schweitzer, Bottrop** (DE)

(73) Assignee: **Societe des Produits Nestle S.A., Vevey**  
(CH)

(\*\*) Term: **14 Years**

(21) Appl. No.: **29/471,294**

(22) Filed: **Oct. 30, 2013**

(51) **LOC (10) Cl.** ..... **01-01**

(52) **U.S. Cl.**  
USPC ..... **D1/121; D1/127**

(58) **Field of Classification Search**  
CPC ..... A23G 3/54; A23G 4/20; A23G 3/343;  
A23G 3/36; A23G 3/28; A61K 9/2072;  
A61K 9/2095  
USPC ..... D1/100-130, 199; 426/5, 104, 249,  
426/275, 660; D24/101-104; 273/429;  
D9/707; D28/8.1; D14/433; D7/354,  
D7/359, 391, 672; D15/90

See application file for complete search history.

(56) **References Cited**

**U.S. PATENT DOCUMENTS**

4,354,773 A \* 10/1982 Noack ..... 404/41  
D287,780 S \* 1/1987 Farber ..... D1/106  
D307,815 S \* 5/1990 Parri et al. .... D1/127  
D383,886 S \* 9/1997 Baumgartner ..... D1/199  
D397,802 S \* 9/1998 Terry ..... D25/113  
D404,147 S \* 1/1999 Woolford ..... D25/113  
6,820,383 B2 \* 11/2004 Vos ..... 52/311.1

D508,302 S \* 8/2005 Malina et al. .... D1/127  
D526,112 S \* 8/2006 Martin et al. .... D1/127  
D584,423 S \* 1/2009 Mugge ..... D25/113  
D589,230 S \* 3/2009 Samarut ..... D1/121  
D591,927 S \* 5/2009 Wilson et al. .... D1/127  
D595,867 S \* 7/2009 Hammer et al. .... D25/113  
D602,604 S \* 10/2009 Harris ..... D25/113  
D611,164 S \* 3/2010 Mugge ..... D25/113  
D637,787 S \* 5/2011 Martin ..... D1/121  
D713,116 S \* 9/2014 Dingley et al. .... D1/121

**OTHER PUBLICATIONS**

Krystall Chocolate Bar, Aug. 27, 2013. [online.] [retrieved on Oct. 27, 2014]. Retrieved from internet <URL: <http://inspirationist.net/krystall-chocolate-bar-by-riccardo-carlet/>>.\*

\* cited by examiner

*Primary Examiner* — Deanna L Pratt

*Assistant Examiner* — Katie Mroczka

(74) *Attorney, Agent, or Firm* — K&L Gates LLP

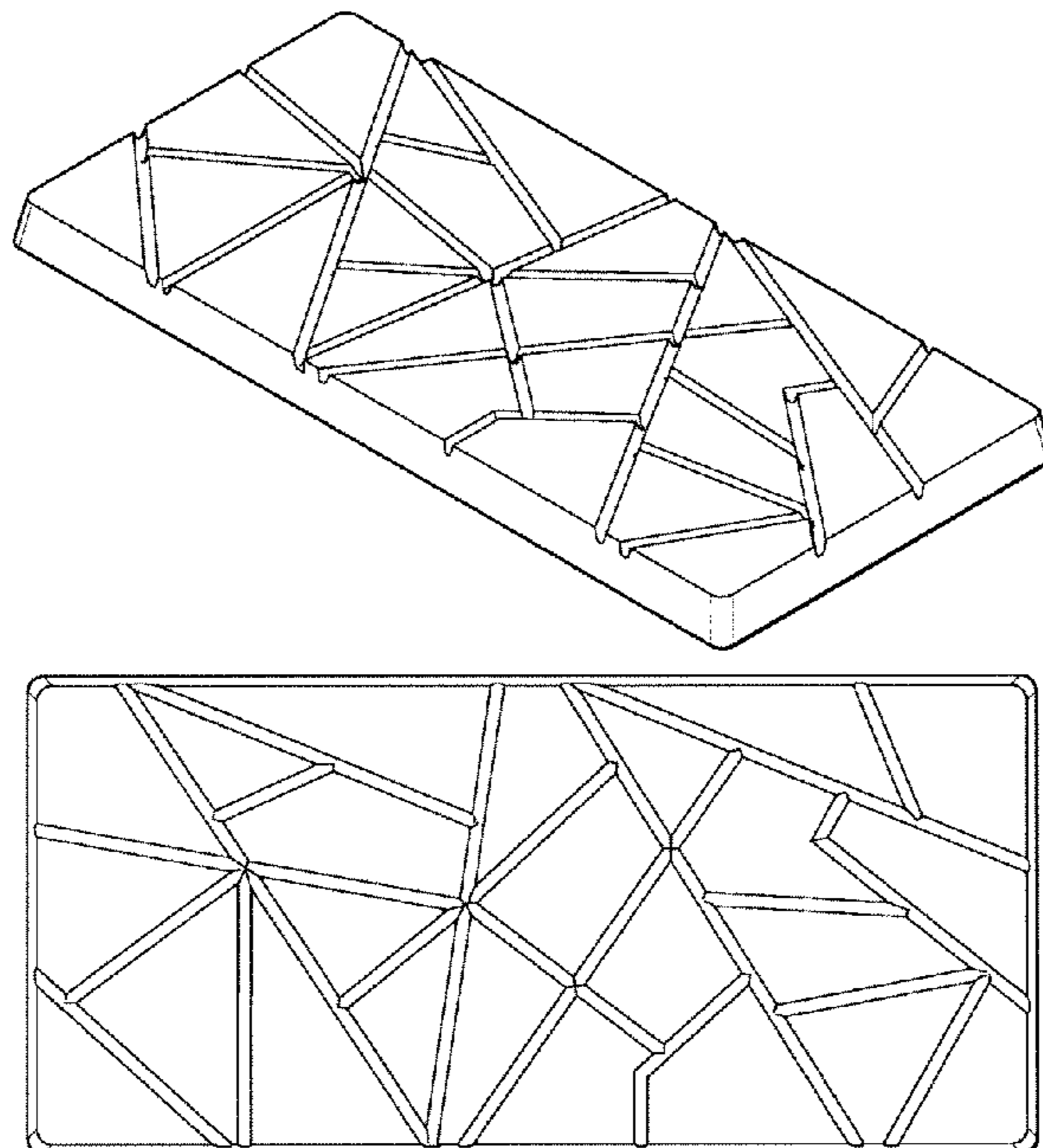
(57) **CLAIM**

The ornamental design for a confection, as shown and described.

**DESCRIPTION**

FIG. 1 illustrates a top perspective view of a confection according to the present disclosure;  
FIG. 2 illustrates a bottom perspective view thereof;  
FIG. 3 illustrates a top plan view thereof;  
FIG. 4 illustrates a bottom plan view thereof;  
FIG. 5 illustrates a front side elevational view thereof;  
FIG. 6 illustrates a rear side elevational view thereof;  
FIG. 7 illustrates a left side elevational view thereof; and,  
FIG. 8 illustrates a right side elevational view thereof.

**1 Claim, 6 Drawing Sheets**



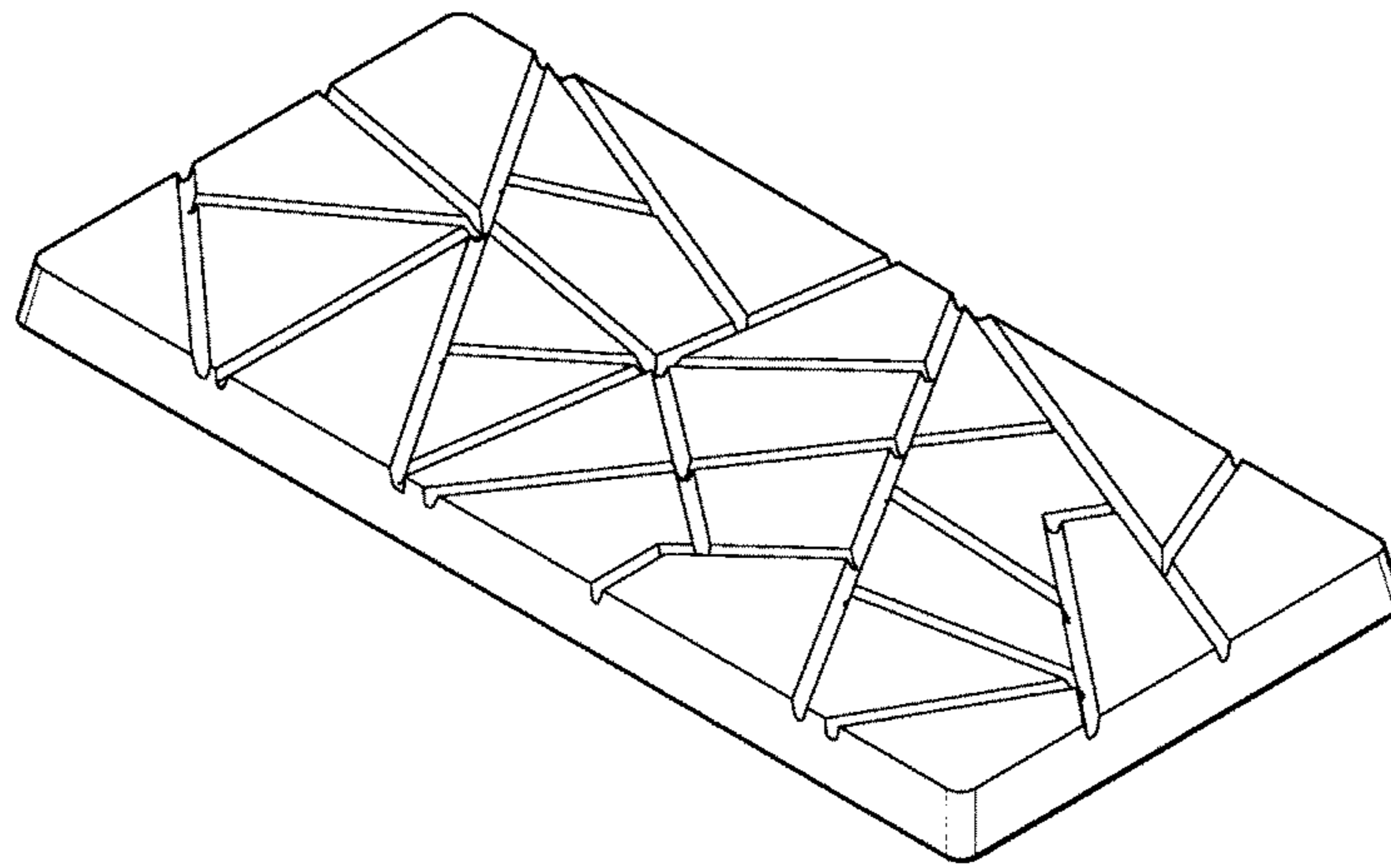


FIG. 1

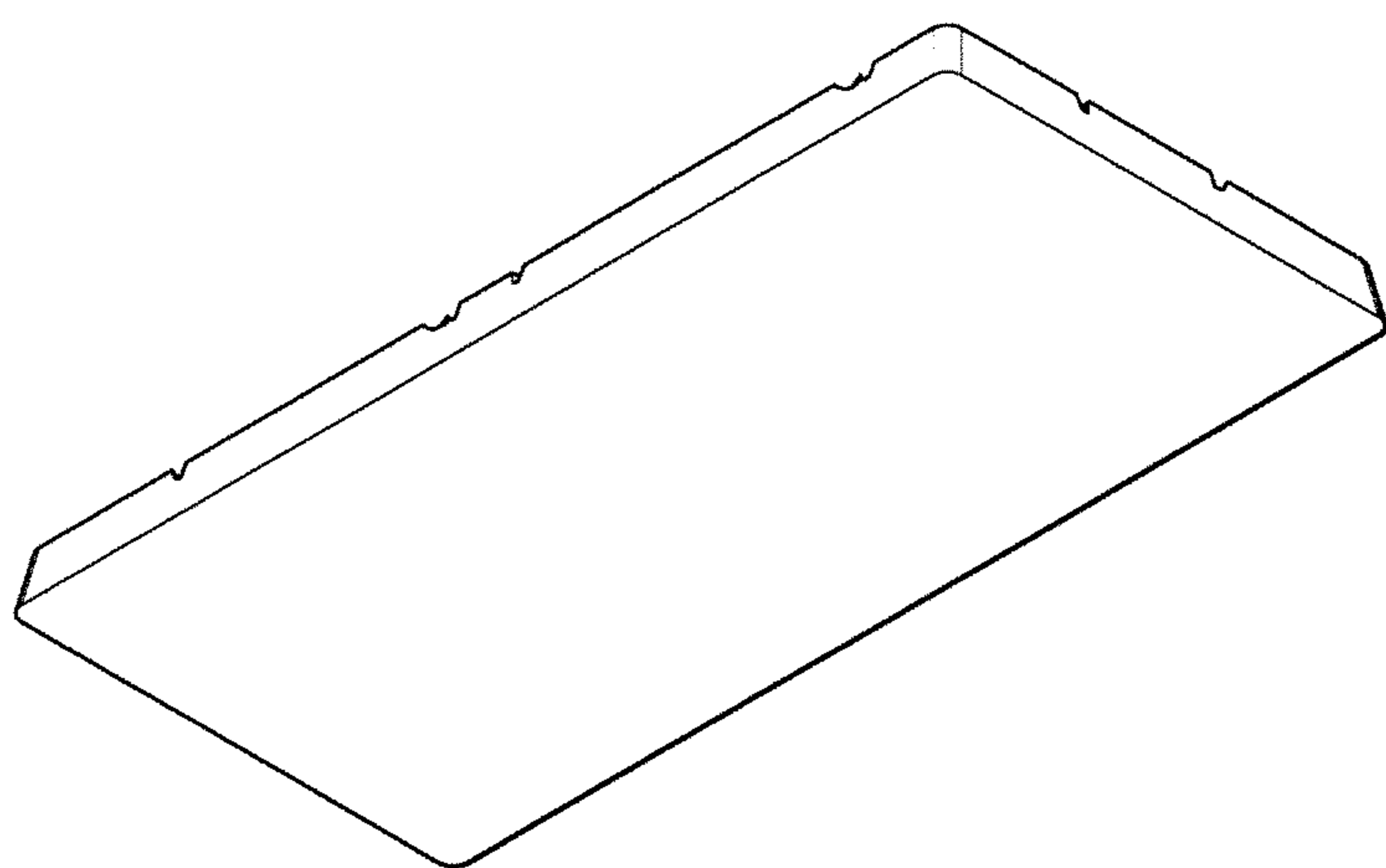


FIG. 2

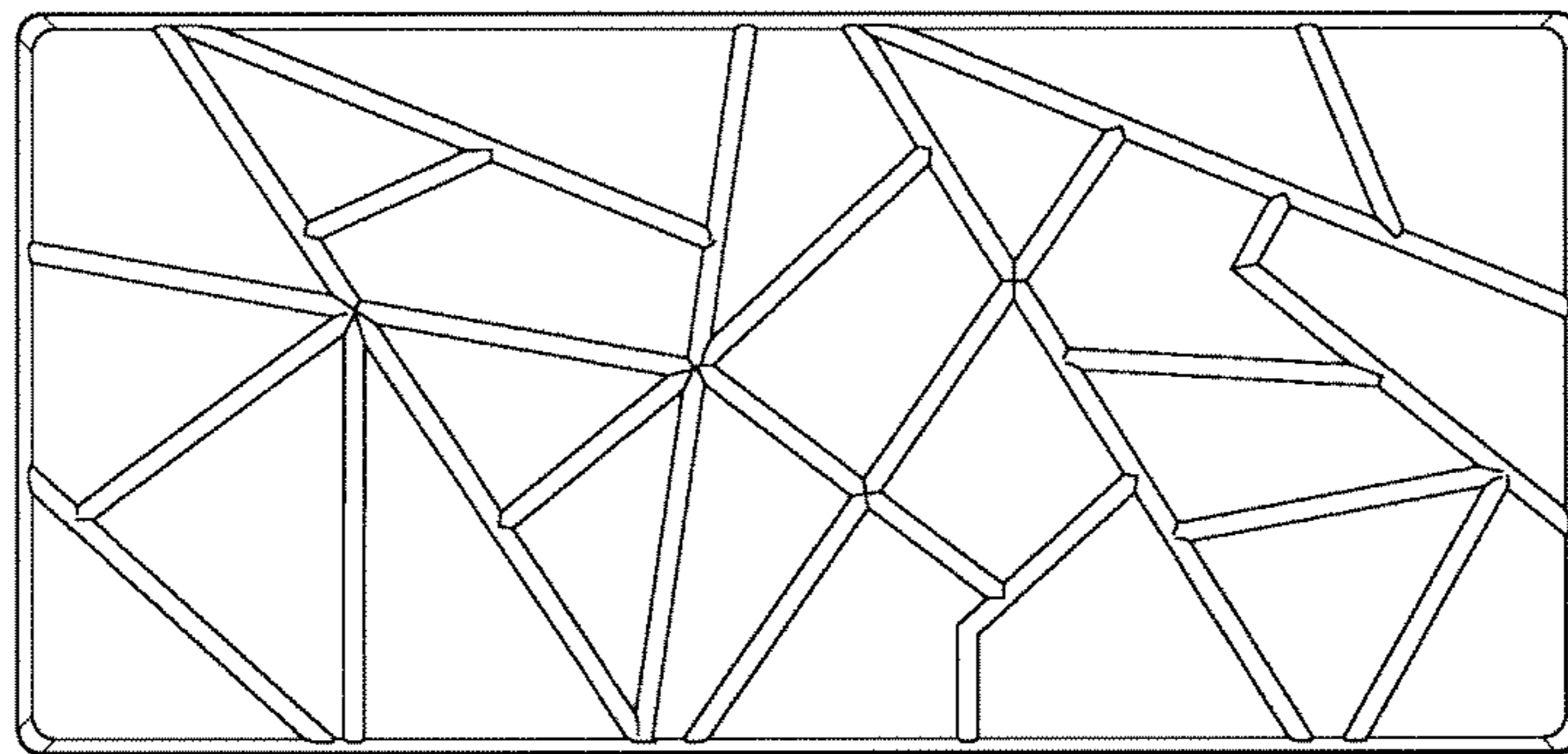
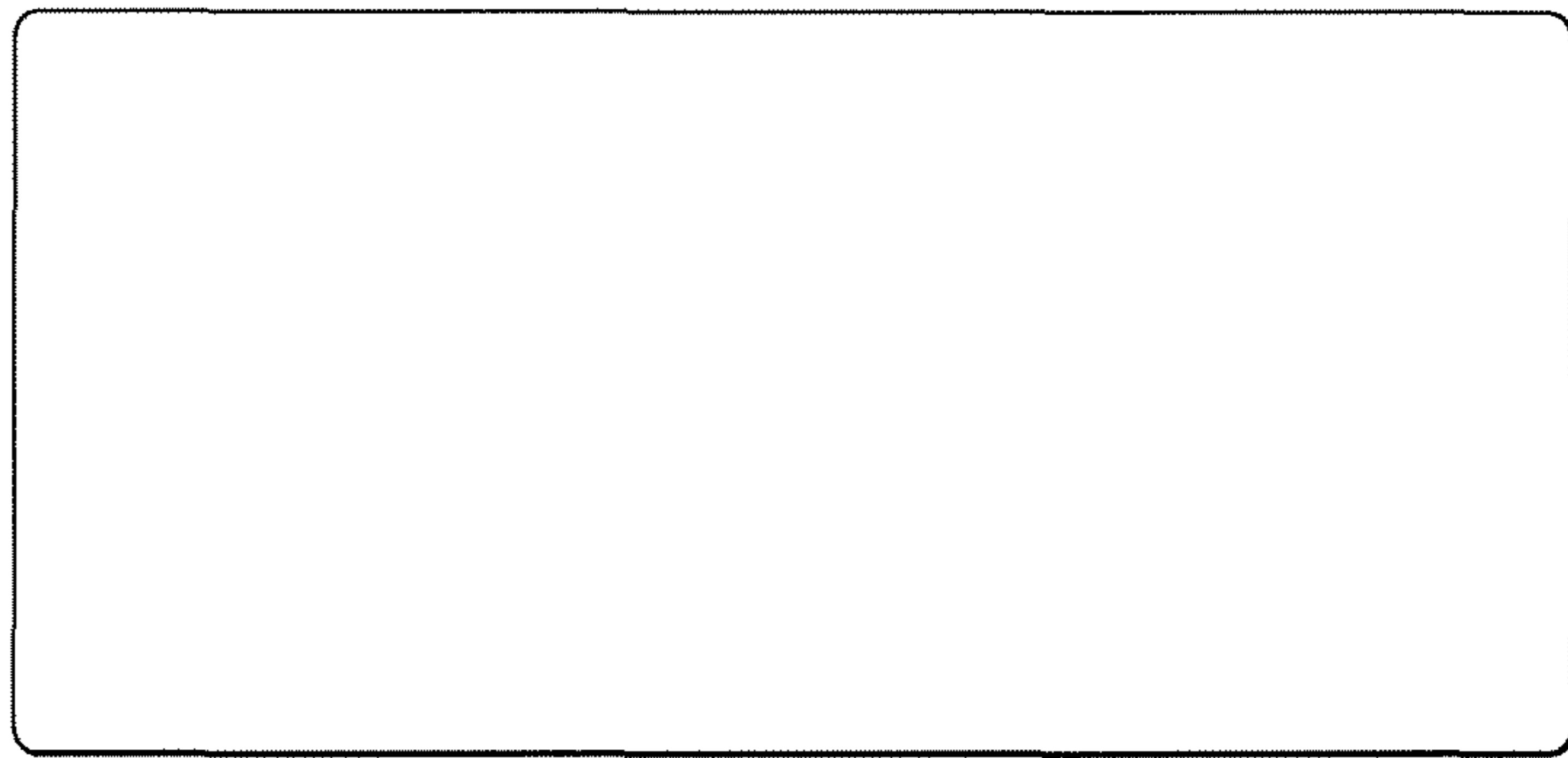


FIG. 3



**FIG. 4**



FIG. 5

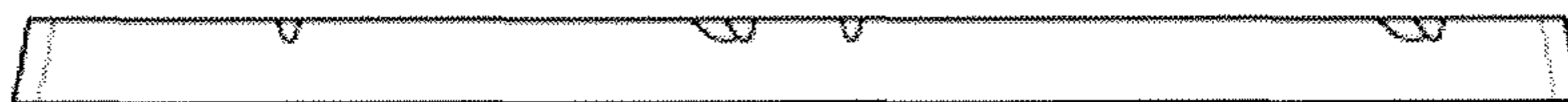


FIG. 6

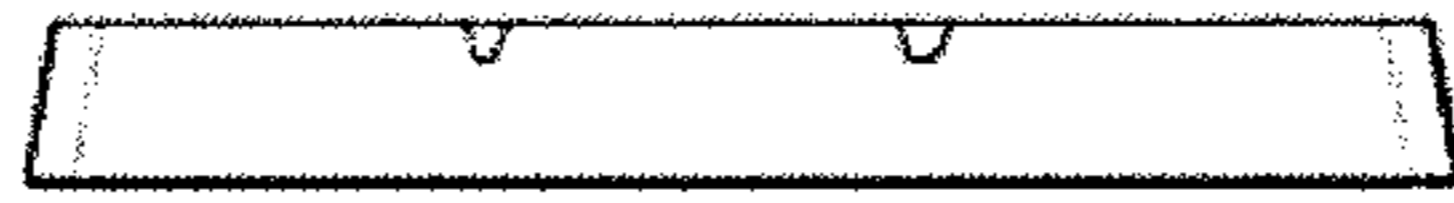


FIG. 7



FIG. 8