



US00D719712S

(12) **United States Design Patent**
Widmer et al.

(10) **Patent No.:** **US D719,712 S**
(45) **Date of Patent:** **** Dec. 16, 2014**

(54) **FLOOR MAINTENANCE TOOL**

(56)

References Cited

(75) Inventors: **Alfred Widmer**, Wilen b. Wil (CH);
Mehmet Avci, Bronschhofen (CH); **Axel Schmitz**, Gommiswald (CH); **Andrew M. Bober**, Racine, WI (US); **Michael Bachmann**, Butschwil (CH); **Andreas Staub**, Hettlingen (CH); **Markus Zbinden**, Engelburg (CH)

U.S. PATENT DOCUMENTS

227,438 A	5/1880	Lothrop
670,585 A	3/1901	Fowler
772,829 A	10/1904	Russell, Jr.
854,742 A	5/1907	Hill
889,088 A	5/1908	Baillargeon
1,031,637 A	7/1912	Fischer
1,362,900 A	12/1920	Severns
1,670,851 A	5/1928	Ferrara
2,134,301 A	10/1938	Guggenbuehler
2,184,358 A	12/1939	Moore
2,261,505 A	11/1941	Schlesinger
2,273,371 A	2/1942	Oberti
2,279,559 A	4/1942	Darling
2,298,380 A	10/1942	Hood
2,300,911 A	11/1942	Cravis
2,402,069 A	6/1943	Minnick et al.
2,325,598 A	8/1943	Fatland
2,440,014 A	4/1948	Ludwick
2,494,878 A	1/1950	Jensen
2,503,997 A	4/1950	Bu Miller
2,504,694 A	4/1950	Jenkins
2,533,733 A	12/1950	Jensen
2,663,042 A	12/1953	Richards et al.
2,668,386 A	2/1954	Benner, Jr.
2,755,498 A	7/1956	Park
2,769,995 A	11/1956	Klein
2,774,089 A	12/1956	Brown
2,873,129 A	2/1959	Edmundson
2,902,703 A	9/1959	Schulman
2,903,730 A	9/1959	Murphy
2,921,327 A	1/1960	Kuehl
2,932,049 A	4/1960	Jenkins
2,955,311 A	10/1960	Jurkanis
3,050,762 A	8/1962	Ballinger
3,098,669 A	7/1963	Fortin et al.
3,235,296 A	2/1966	Day
3,321,863 A	5/1967	Maxam, Jr.
3,324,495 A	6/1967	Van Schwartz
3,333,293 A	8/1967	Skurdelis
3,335,735 A	8/1967	Colegrove et al.
3,355,844 A	12/1967	Abler et al.
3,380,097 A	4/1968	Pharris
3,596,946 A	8/1971	Burton et al.
3,931,968 A	1/1976	Hedberg
4,031,673 A	6/1977	Hagelberg
4,070,726 A	1/1978	Joffre
4,076,437 A	2/1978	Mazzolla
4,134,703 A	1/1979	Hinners
4,184,224 A	1/1980	Joffre

(73) Assignee: **Diversey, Inc.**, Sturtevant, WI (US)

(**) Term: **14 Years**

(21) Appl. No.: **29/431,444**

(22) Filed: **Sep. 7, 2012**

(51) **LOC (10) Cl.** **04-01**

(52) **U.S. Cl.**

CPC **A46B 17/00** (2013.01); **A46B 2200/3033**
(2013.01); **A46B 2200/30** (2013.01); **A46B**
2200/00 (2013.01)

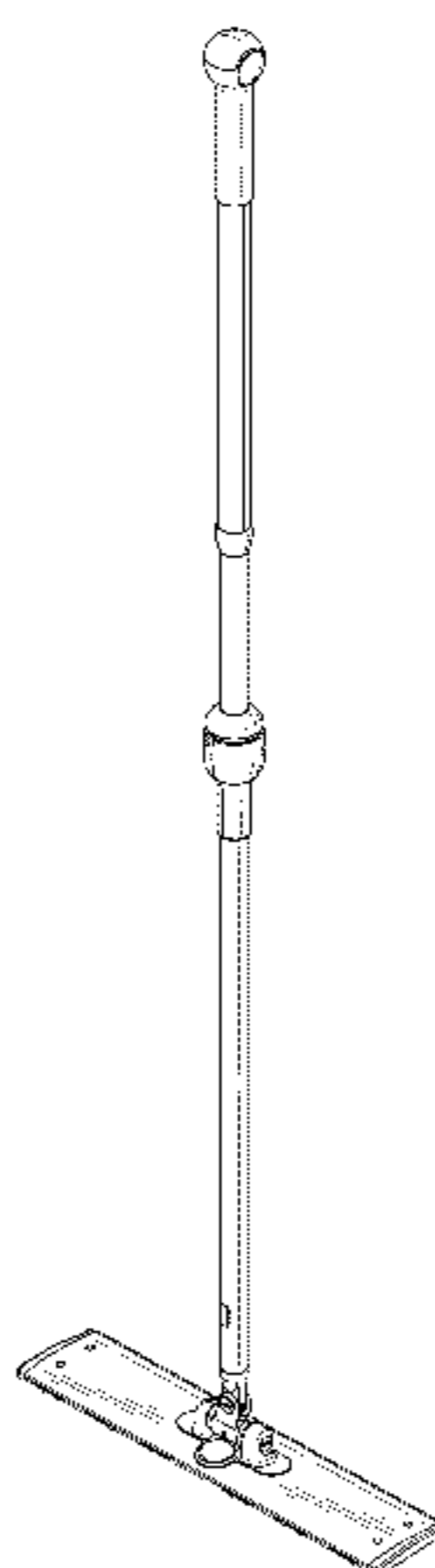
USPC **D32/50**; **D32/35**; **D32/40**

(58) **Field of Classification Search**

CPC **A46B 1/00**; **A46B 3/005**; **A46B 5/0095**;
A46B 9/00; **A46B 9/06**; **A46B 15/00**; **A46D**
1/00; **A46D 3/00**; **B01D 33/00**; **B01D 33/06**;
B01D 35/00; **B01F 11/0088**; **B23D 29/02**;
B26B 1/00; **B26B 13/00**; **B26B 2029/00**;
B29C 45/00; **B26D 3/169**; **B65G 65/00**;
B65G 65/4881; **G03G 15/08**; **G03G 15/0839**;
H02G 1/00; **H02G 1/005**; **Y10S 234/00**;
Y10S 81/00; **Y10S 83/00**

USPC **15/114**, **115**, **116.2**, **119.2**, **144.2**, **145**,
15/147.1, **168**, **170**, **171**, **173-175**, **208**,
15/209.1, **228**, **229.1-229.4**, **229.6-229.8**,
15/231, **299.2**; **401/47**, **203**, **289**; **403/58**,
403/83, **90**; **D4/116**, **130**, **135**, **136**, **199**;
D8/382; **D15/127**, **147**; **D32/35**, **40**,
D32/42, **45**, **50**, **51**, **52**

See application file for complete search history.



4,225,998 A	10/1980	Thielen	
4,231,574 A	11/1980	Williams	
4,238,164 A	12/1980	Mazzolla	
4,319,379 A	3/1982	Carrigan et al.	
4,378,172 A	3/1983	Groschupp	
4,419,025 A	12/1983	Takahashi	
4,419,026 A	12/1983	Leto	
4,464,807 A	8/1984	Weiss	
4,509,224 A	4/1985	Batchelor	
4,524,484 A	6/1985	Graham	
4,585,367 A	4/1986	Gall	
4,680,826 A	7/1987	Schunter	
4,718,671 A	1/1988	Desmond et al.	
4,794,663 A	1/1989	Vosbikian	
4,807,323 A	2/1989	Karpp	
4,858,926 A	8/1989	Cabianca	
4,882,804 A	11/1989	Lucas	
4,895,471 A	1/1990	Geltz et al.	
4,896,687 A	1/1990	Segal et al.	
4,948,149 A	8/1990	Lin et al.	
4,949,964 A	8/1990	Jolly	
4,961,242 A	10/1990	Kresse et al.	
5,029,860 A	7/1991	Ehrich	
5,037,235 A	8/1991	Aquilina	
5,131,111 A	7/1992	Richardson et al.	
5,253,387 A	10/1993	Kresse et al.	
5,390,390 A	2/1995	Kresse et al.	
5,501,069 A	3/1996	Lentz	
5,553,344 A	9/1996	Rosenkrantz	
5,850,658 A	12/1998	Specht	
5,876,147 A	3/1999	Longo	
5,897,268 A	4/1999	Deville	
5,937,471 A	8/1999	Liao	
6,027,087 A	2/2000	Lindemann et al.	
6,032,318 A	3/2000	McLaughlin et al.	
6,058,552 A	5/2000	Hanan	
6,061,864 A *	5/2000	Ensson	15/147.1
6,142,699 A	11/2000	Pao	
6,302,614 B1	10/2001	Tseng	
6,367,121 B1	4/2002	MacMillan	
6,412,138 B1	7/2002	MacMillan	
6,606,757 B2	8/2003	Vosbikian et al.	
D481,184 S *	10/2003	Clare et al.	D32/50
6,663,071 B2	12/2003	Peterson	
RE38,635 E	10/2004	Uemura	
6,804,853 B2	10/2004	Wang	
6,983,509 B2	1/2006	Lin	
7,082,641 B1	8/2006	Jung et al.	
D529,294 S *	10/2006	Van Ledingham, Jr.	D4/199
D533,356 S *	12/2006	Van Ledingham, Jr.	D4/199
7,144,180 B2	12/2006	Stahle et al.	
7,302,745 B2	12/2007	Stahle et al.	
7,313,843 B2	1/2008	Brinker et al.	
7,322,371 B2	1/2008	You	
7,373,708 B2	5/2008	Stahle et al.	
D586,513 S *	2/2009	PZW Pho	D32/50
7,488,255 B2	2/2009	Labes	
7,494,296 B2	2/2009	Stahle	
7,690,069 B2	4/2010	Chen et al.	
7,721,377 B2	5/2010	Jungklaus et al.	
7,802,340 B2	9/2010	Knopow et al.	
D625,480 S *	10/2010	Raven	D32/50
7,854,455 B2	12/2010	Ruscil et al.	
7,926,452 B1	4/2011	Kim	
8,061,751 B2	11/2011	Hatcher	
8,065,775 B2	11/2011	Cameneti et al.	
8,220,101 B2	7/2012	Chen	
8,407,847 B1 *	4/2013	Li	15/228
2005/0039286 A1	2/2005	Brinker et al.	
2005/0091775 A1	5/2005	Lindholm	
2007/0022553 A1	2/2007	Niemeyer et al.	
2007/0079854 A1	4/2007	You	
2007/0087844 A1	4/2007	Labes	
2008/0016636 A1	1/2008	Morris et al.	
2008/0131195 A1	6/2008	Stahle et al.	
2009/0245927 A1	10/2009	Stahle et al.	
2010/0281642 A1	11/2010	Lee	
2011/0000044 A1	1/2011	Chen et al.	
2011/0023251 A1	2/2011	Bober et al.	

2011/0095213 A1	4/2011	Roman	
2011/0097136 A1	4/2011	Roman	
2011/0101716 A1	5/2011	Nolte et al.	
2011/0154602 A1	6/2011	Chen	
2011/0185523 A1	8/2011	Chen	
2011/0252591 A1	10/2011	Perelli et al.	
2012/0023764 A1	2/2012	Bartolini	
2012/0126533 A1	5/2012	Canale	
2013/0000064 A1 *	1/2013	Katou et al.	15/144.1
2013/0247322 A1 *	9/2013	Hasegawa et al.	15/231

FOREIGN PATENT DOCUMENTS

AU	9741892	4/1998
DE	2537097	3/1976
DE	2704417	8/1978
DE	3142222	5/1983
DE	3423756 A1	1/1986
DE	3738408	5/1989
DE	3743412	5/1989
DE	3932827 A1	4/1991
DE	20114744	11/2001
EM	000934906-0001 *	5/2008
EP	0295843 A2	12/1988
EP	0336837 A1	10/1989
EP	0541935 A2	5/1993
EP	0599227	6/1994
EP	1313956 B1	4/2007
EP	1825965 A1	8/2007
EP	1321174 B1	1/2008
EP	2301406	3/2011
EP	2383077 A2	11/2011
EP	1825965 B1	4/2012
FR	2327749	5/1977
FR	2662459	11/1991
GB	608999	9/1948
GB	1127497 A	9/1968
GB	2063352 A	6/1981
GB	2238572 A	6/1991
KR	10-2004-0017570	2/2004
WO	8806244 A1	8/1988
WO	9107597 A1	5/1991
WO	9220413 A1	11/1992
WO	0218802 A1	3/2002
WO	2005084516	9/2005
WO	2006002919 A1	1/2006
WO	2010116089	10/2010

(Continued)

OTHER PUBLICATIONS

Bona Mop [online]. Bona, 2009 [retrieved on Apr. 16, 2014]. Retrieved from the Internet: <URL: <http://www.bona.com/en/Professional/BonaSystem/Floor-care/Tools--Accessories/Bona-Telescope-Mop/>>.*

International Search Report and Written Opinion for Application No. PCT/US2013/039701 dated Oct. 25, 2013 (6 pages).

* cited by examiner

Primary Examiner — Richard E Chilcot
Assistant Examiner — John Eberhart
(74) Attorney, Agent, or Firm — Michael Best & Friedrich LLP

(57) CLAIM

The ornamental design for a floor maintenance tool, as shown and described.

DESCRIPTION

FIG. 1 is a perspective view of a floor maintenance tool embodying the present invention.

FIG. 2 is a front view of the floor maintenance tool shown in FIG. 1.

FIG. 3 is a rear view of the floor maintenance tool shown in FIGS. 1 and 2.

FIG. 4 is a right side view of the floor maintenance tool shown in FIGS. 1-3.

FIG. 5 is a left side view of the floor maintenance tool shown in FIGS. 1-4.

FIG. 6 is a top view of the floor maintenance tool shown in FIGS. 1-5; and,

FIG. 7 is a bottom view of the floor maintenance tool shown in FIGS. 1-6.

The elements shown in broken lines are included for the purpose of illustrating environment and form no part of the claimed design.

1 Claim, 5 Drawing Sheets

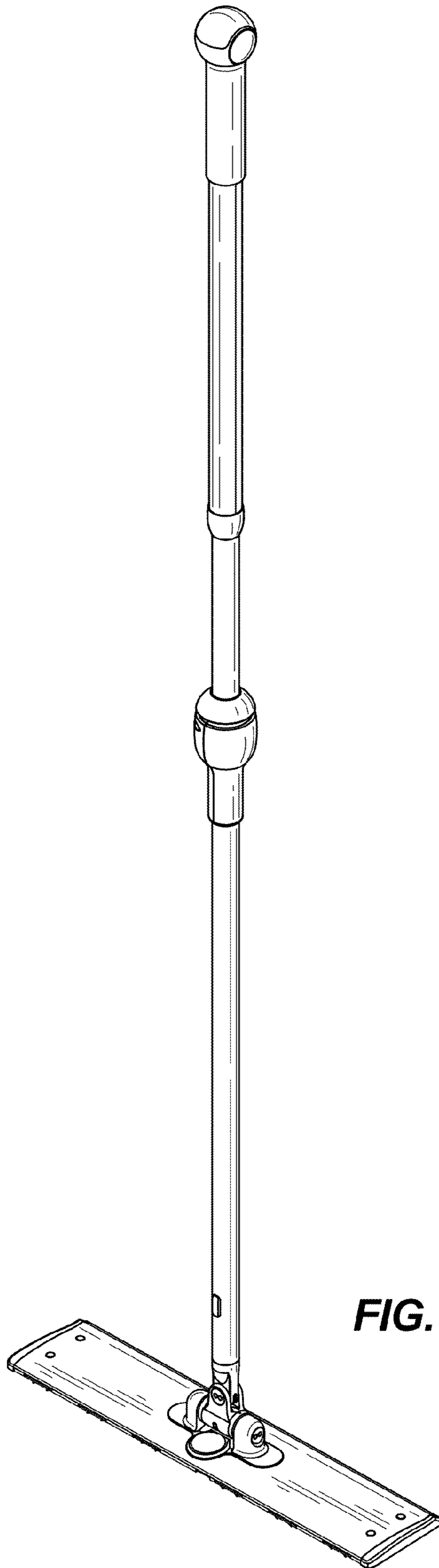


FIG. 1

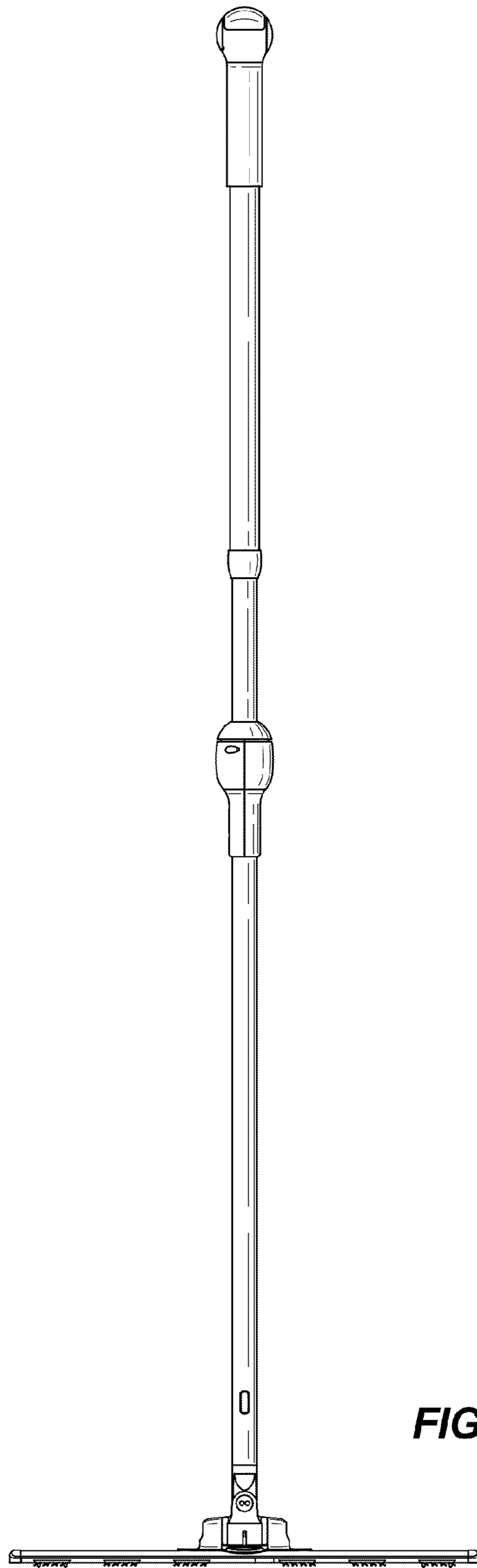


FIG. 2

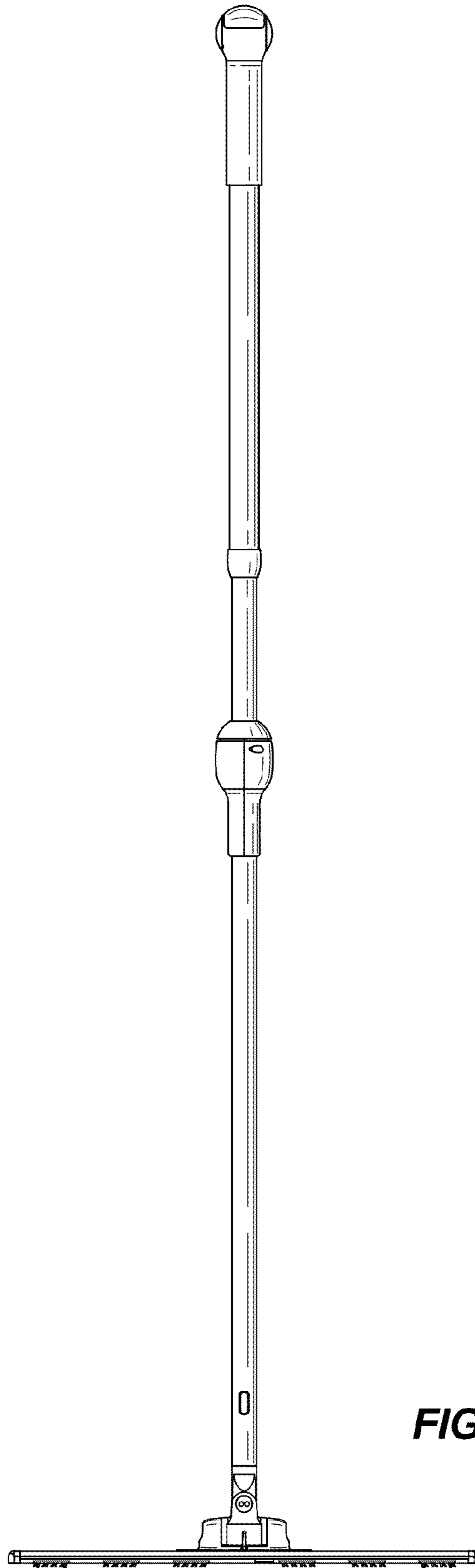


FIG. 3

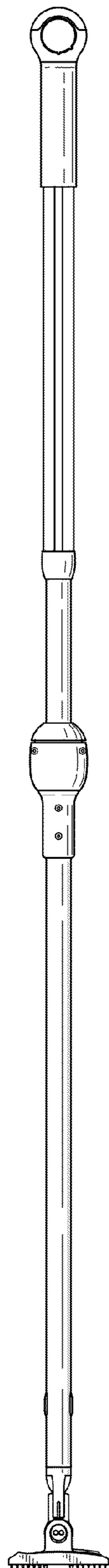


FIG. 4

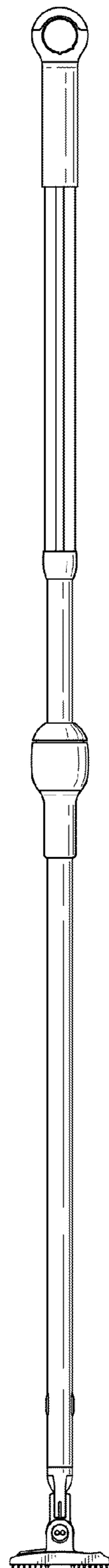


FIG. 5

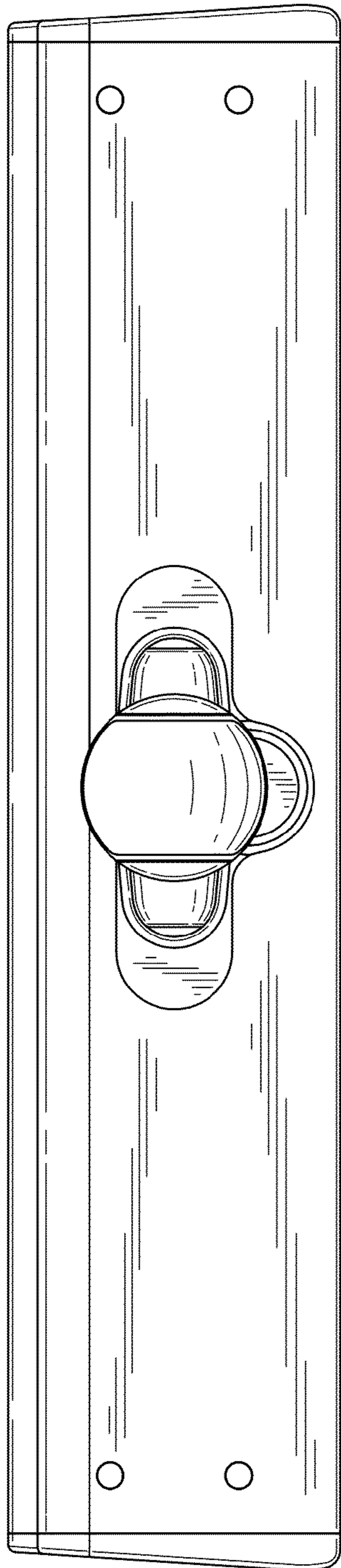


FIG. 6

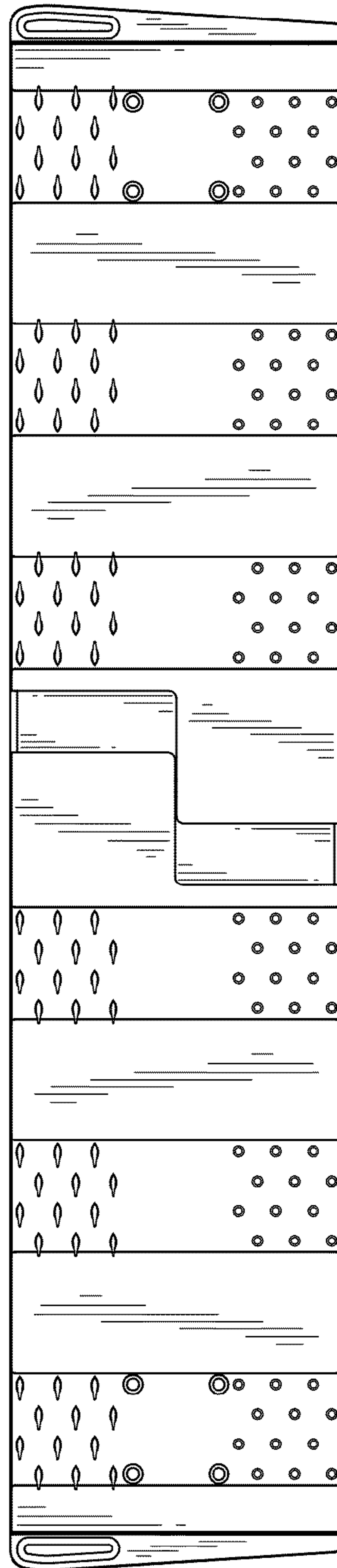


FIG. 7