



US00D719710S

(12) **United States Design Patent**
Olson

(10) **Patent No.:** **US D719,710 S**

(45) **Date of Patent:** **** Dec. 16, 2014**

(54) **SPONGE**

(71) Applicant: **3M Innovative Properties Company**,
St. Paul, MN (US)

(72) Inventor: **Angie M. Olson**, Ellsworth, WI (US)

(73) Assignee: **3M Innovative Properties Company**,
St. Paul, MN (US)

(**) Term: **14 Years**

(21) Appl. No.: **29/471,161**

(22) Filed: **Oct. 29, 2013**

(51) **LOC (10) Cl.** **04-01**

(52) **U.S. Cl.**
USPC **D32/40**

(58) **Field of Classification Search**
USPC D32/40-46; 15/118, 208, 209.1, 227,
15/244.1-244.4, 210.1, 229.11
See application file for complete search history.

(56) **References Cited**

U.S. PATENT DOCUMENTS

D569,565 S * 5/2008 Leahy et al. D32/40
D571,516 S * 6/2008 Leahy et al. D32/40

D589,220 S * 3/2009 Leahy et al. D32/40
D589,665 S * 3/2009 Kwapis D32/40
D604,469 S * 11/2009 Rolstad et al. D32/40
D606,718 S * 12/2009 Leahy et al. D32/40
D657,514 S * 4/2012 Pedriza Hernandez et al. . D32/40
D685,545 S * 7/2013 Ono et al. D32/40
D685,963 S * 7/2013 Timm D32/40
D695,478 S * 12/2013 Hobe D32/40
D703,896 S * 4/2014 Ishikawa et al. D32/40

* cited by examiner

Primary Examiner — Robin V Webster

(74) *Attorney, Agent, or Firm* — Irina Hass

(57) **CLAIM**

The ornamental design for a sponge, as shown and described.

DESCRIPTION

FIG. 1 is a perspective view showing the new design for a sponge;

FIG. 2 is a top view thereof, a bottom view being a mirror image thereof;

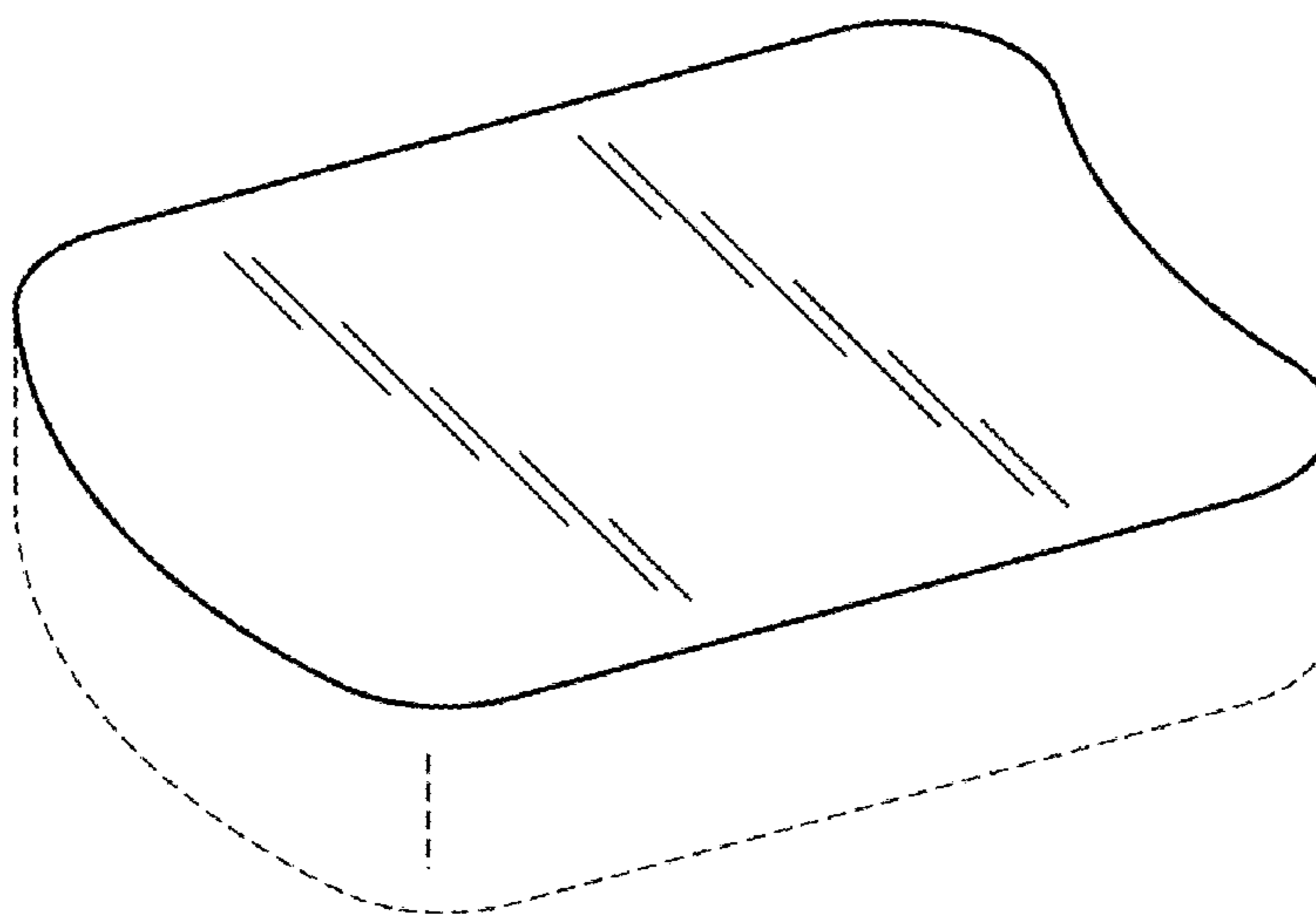
FIG. 3 is a right side view thereof;

FIG. 4 is a left side view thereof; and,

FIG. 5 is a front view thereof, a rear view being a mirror image thereof.

Portions of the drawings shown in broken lines do not form part of the claimed design.

1 Claim, 1 Drawing Sheet



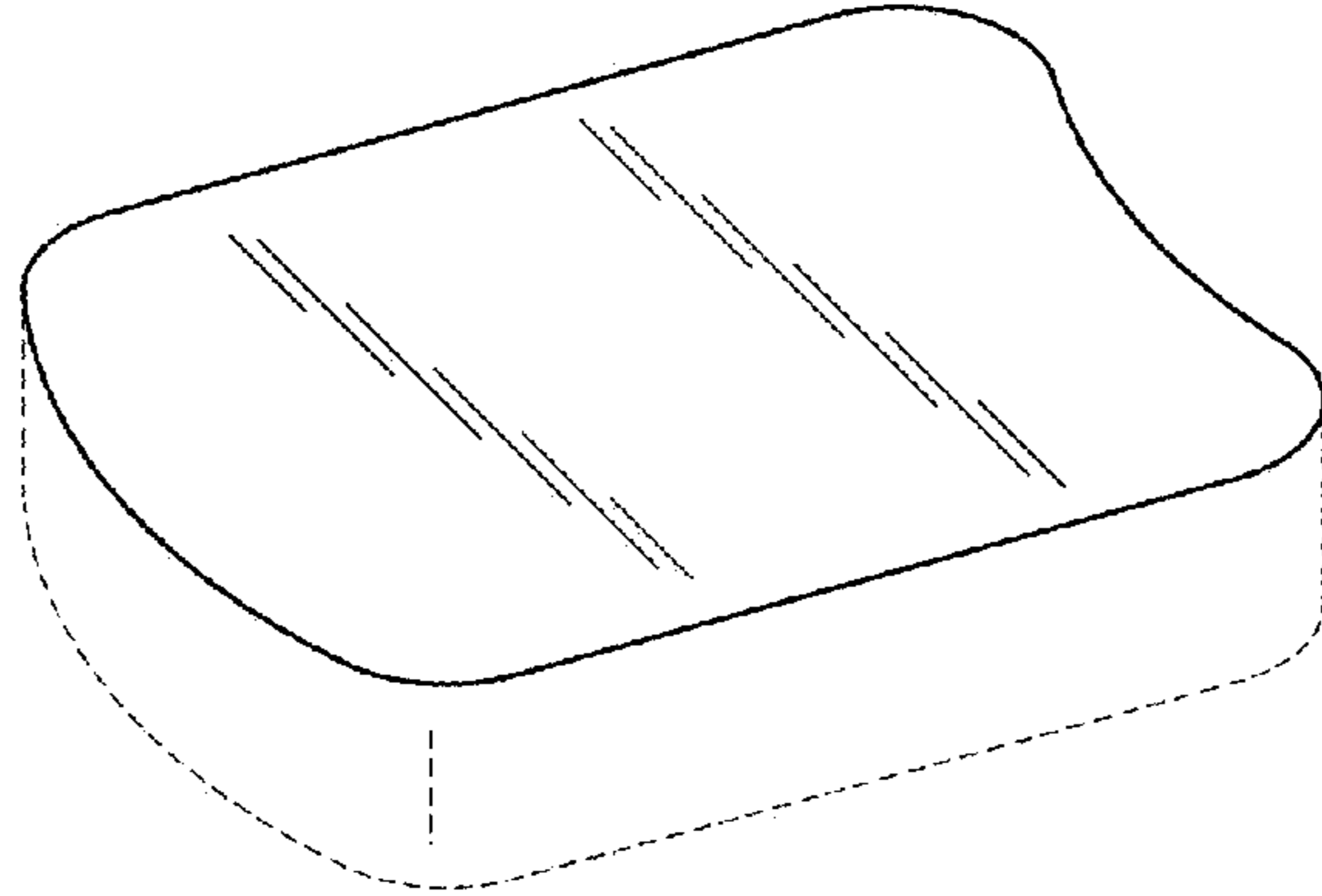


FIG. 1

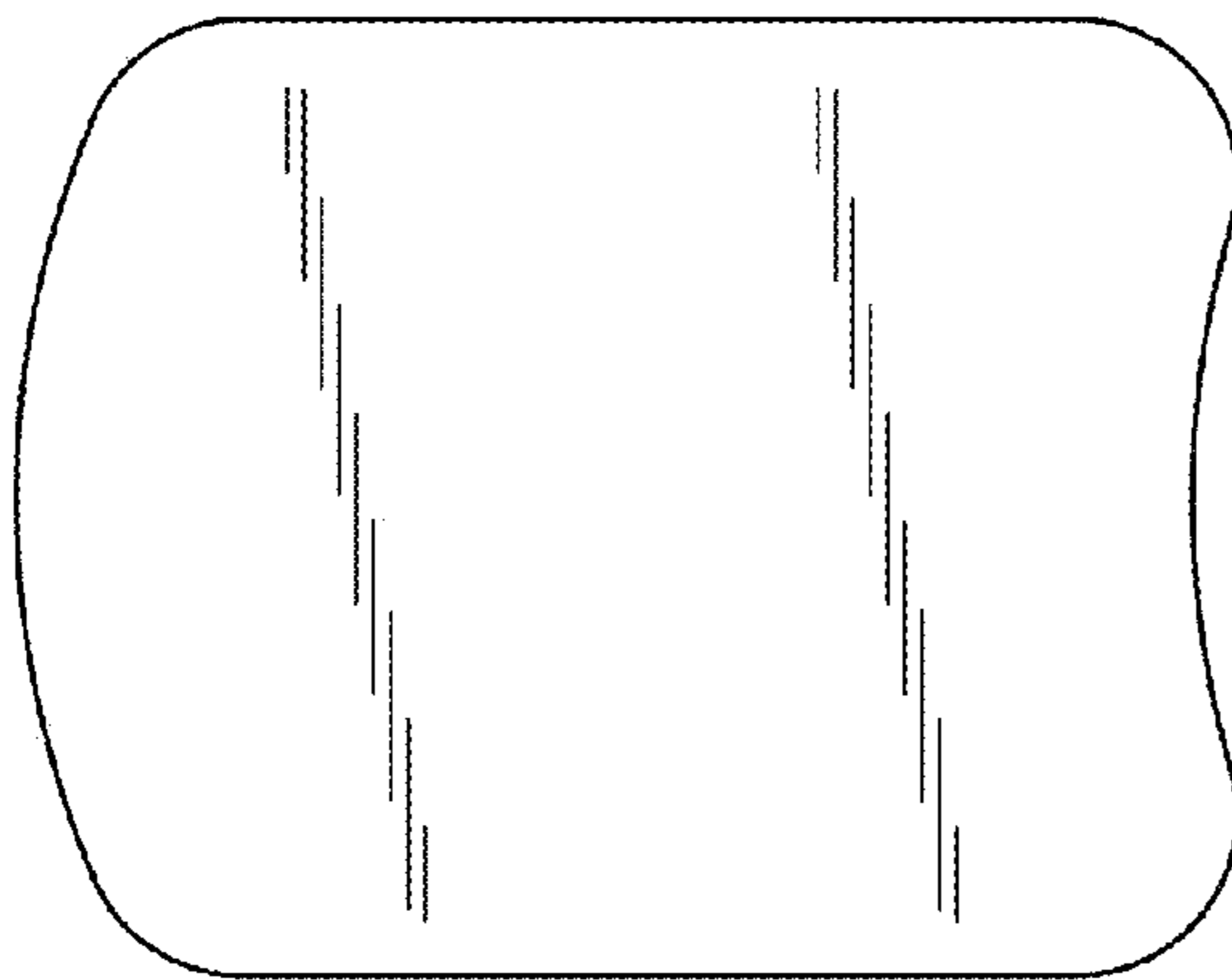


FIG. 2

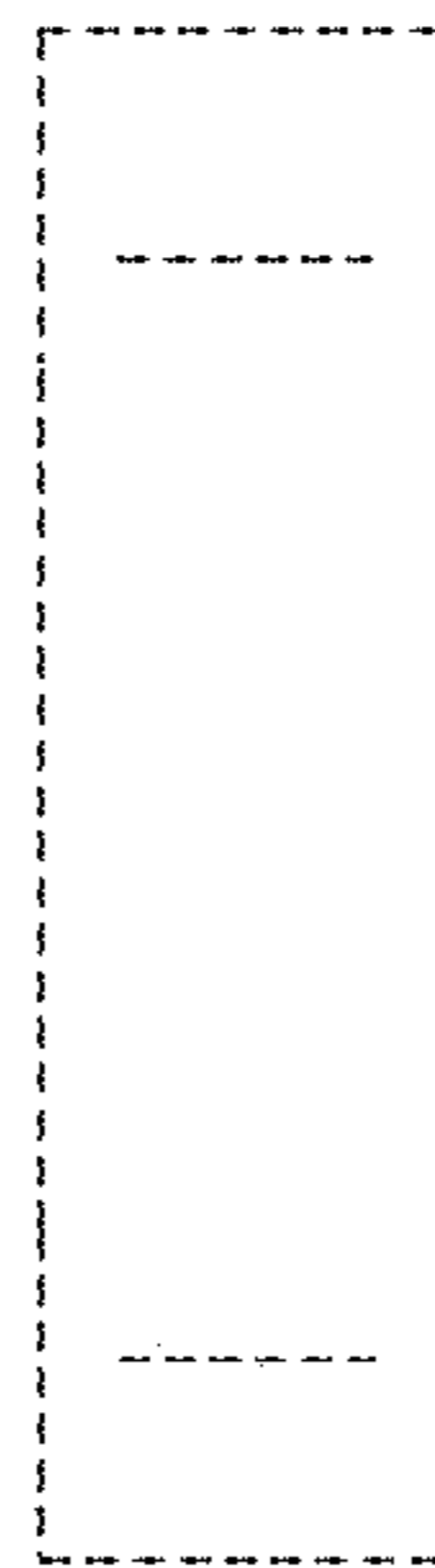


FIG. 3

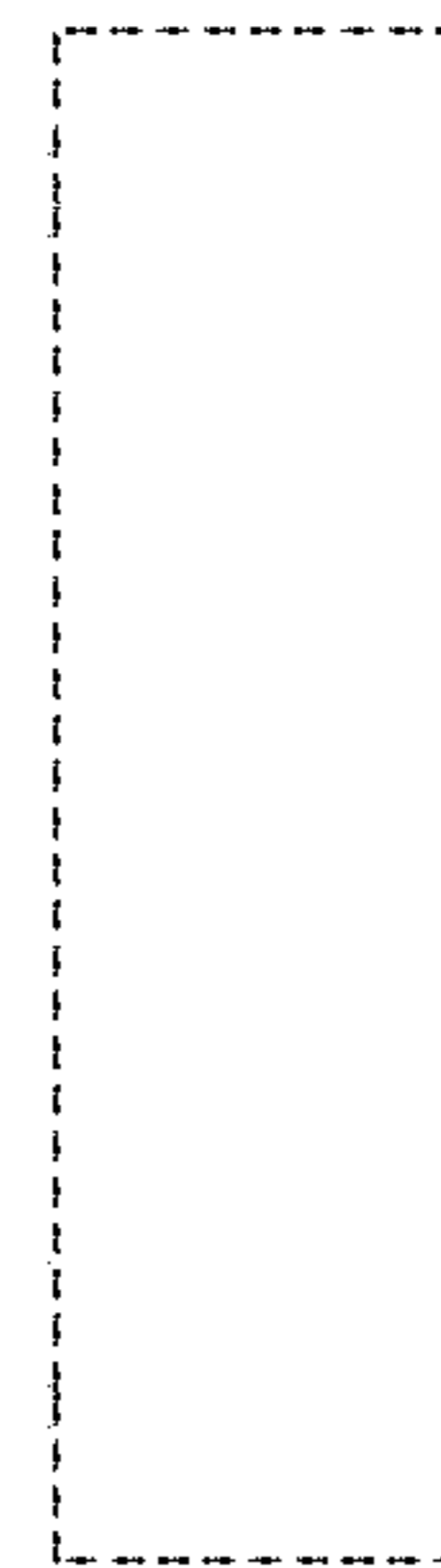


FIG. 4



FIG. 5