



US00D719706S

(12) **United States Design Patent**  
**Hamill et al.**

(10) **Patent No.:** **US D719,706 S**

(45) **Date of Patent:** **\*\* Dec. 16, 2014**

(54) **DOG EXERCISING DEVICE**

(71) Applicant: **Hamill Partners LLC**, Austin, TX (US)

(72) Inventors: **Dennis W. Hamill**, Austin, TX (US);  
**Deborah Lynn Hamill**, Austin, TX (US); **Sunny Kim**, Astoria, NY (US);  
**Robert Von Letscher**, Austin, TX (US);  
**Kit Morris**, Austin, TX (US)

(73) Assignee: **iFetch, LLC**, Austin, TX (US)

(\*\*) Term: **14 Years**

(21) Appl. No.: **29/448,669**

(22) Filed: **Mar. 13, 2013**

**Related U.S. Application Data**

(63) Continuation-in-part of application No. 13/784,377, filed on Mar. 4, 2013.

(51) **LOC (10) Cl.** ..... **30-99**

(52) **U.S. Cl.**  
USPC ..... **D30/160**

(58) **Field of Classification Search**  
USPC ..... D30/160; D21/720; 119/702, 706-711;  
124/16, 54  
See application file for complete search history.

(56) **References Cited**

**U.S. PATENT DOCUMENTS**

4,323,047	A	4/1982	McIntosh et al.	
4,583,514	A	4/1986	Nozato	
D294,411	S *	2/1988	Merriman	D30/160
4,834,060	A	5/1989	Greene	
4,865,318	A *	9/1989	Lehmann et al.	124/16
D340,491	S *	10/1993	Nass	D21/720
D391,332	S *	2/1998	Williams	D21/720
5,749,797	A *	5/1998	Sunseri et al.	124/16
5,911,214	A *	6/1999	Andrews	124/16
6,176,230	B1 *	1/2001	Thompson	124/16

6,190,271	B1	2/2001	Rappaport et al.	
6,505,576	B2 *	1/2003	Nathanson et al.	119/702
6,875,136	B2 *	4/2005	Leal et al.	124/16
6,880,542	B1	4/2005	Johndreau et al.	
7,089,720	B2 *	8/2006	Kurt	119/702
7,111,620	B2	9/2006	Johndreau	

(Continued)

**FOREIGN PATENT DOCUMENTS**

KR 10-2011-0105691 9/2011

**OTHER PUBLICATIONS**

International Search Report and Written Opinion, Int'l Appl. No. PCT/US2013/029124, mailed Jun. 18, 2013, 11 pages.

(Continued)

*Primary Examiner* — Cathy A MacCormac

(74) *Attorney, Agent, or Firm* — Polsinelli PC

(57) **CLAIM**

The ornamental design for a dog exercising device, as shown and described.

**DESCRIPTION**

FIG. 1 is a front perspective view of a dog exercising device embodying our new design;

FIG. 2 is a front view of the dog exercising device illustrated in FIG. 1;

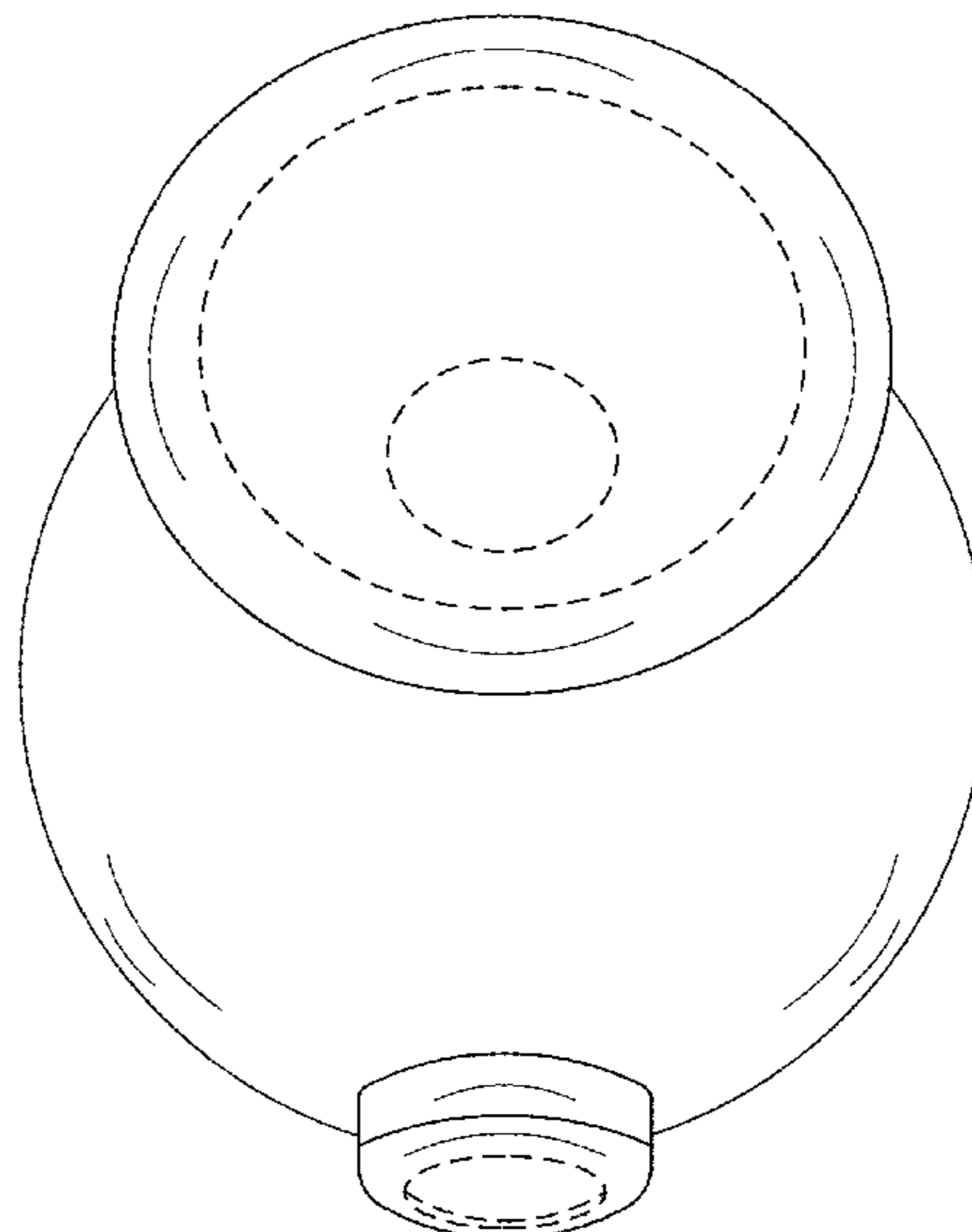
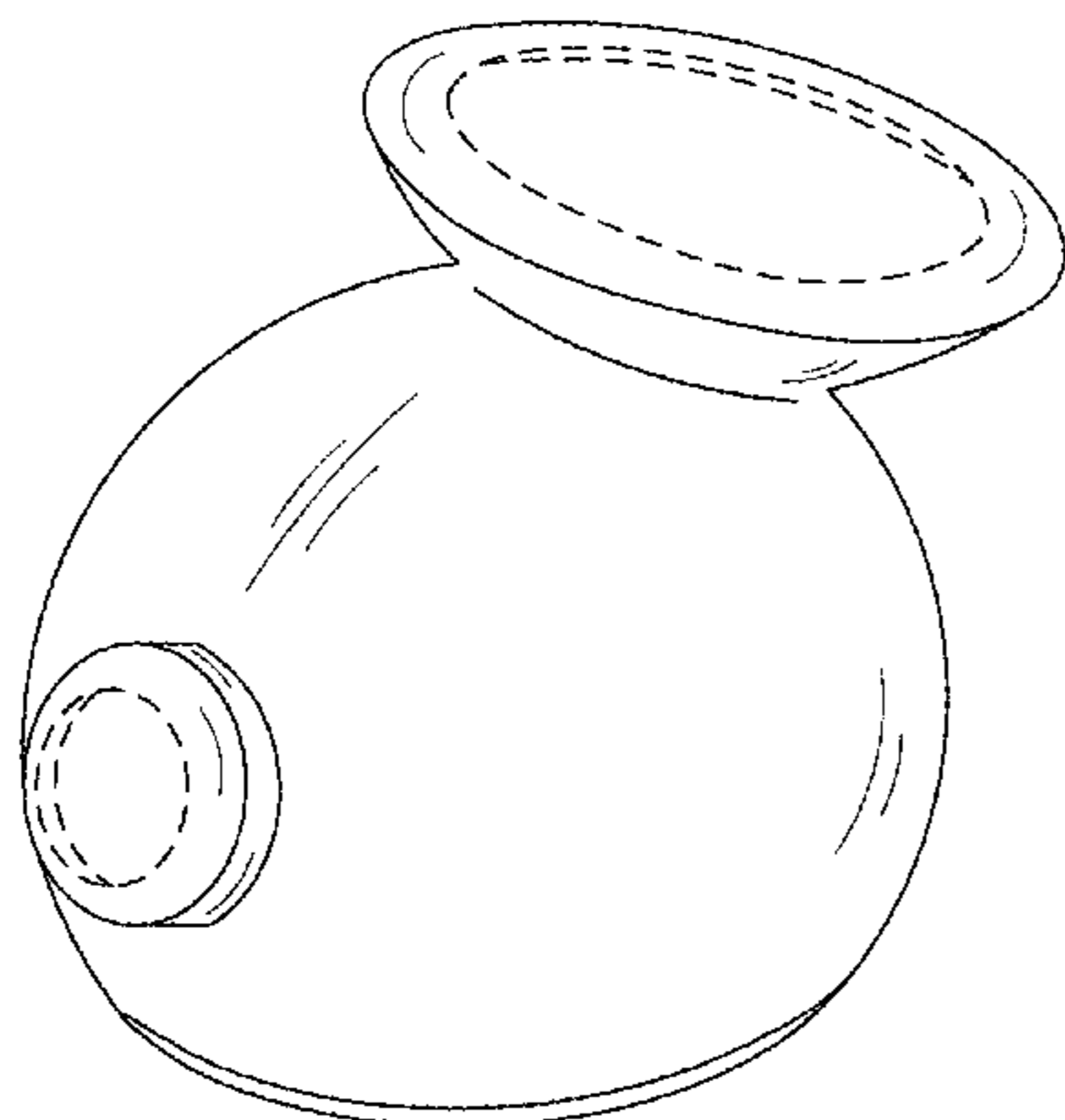
FIG. 3 is a right side view of the dog exercising device illustrated in FIG. 1, the left side view being a mirror image thereof;

FIG. 4 is a top view of the dog exercising device illustrated in FIG. 1; and,

FIG. 5 is a bottom view of the dog exercising device illustrated in FIG. 1.

The broken lines and unshaded portions contained within the broken lines form no part of the claimed design.

**1 Claim, 5 Drawing Sheets**



(56)

**References Cited**

**OTHER PUBLICATIONS**

U.S. PATENT DOCUMENTS

7,114,465	B1 *	10/2006	Winter	119/707
7,237,546	B2	7/2007	Nozato	
7,270,080	B1 *	9/2007	Kane	119/702
7,823,574	B2	11/2010	Chu	
8,151,782	B2 *	4/2012	Huang	124/16
2006/0213453	A1	9/2006	Conrady	
2006/0219187	A1	10/2006	Krishnamurthy	
2011/0303208	A1	12/2011	Taylor	

Notice of Third Party Submission, U.S. Appl. No. 13/784,377 mailed Feb. 20, 2014, 12 pages.  
Examiner's Report , Canadian Patent Application No. CA152818, mailed Mar. 27, 2014, 2 pages.  
Response to Examiner's Report , Canadian Patent Application No. CA152818, filed Jul. 28, 2014, 8 pages.  
Request for Rectification, Chinese Patent Application No. 201330426178.9, filed Apr. 22, 2014, 6 pages.

\* cited by examiner

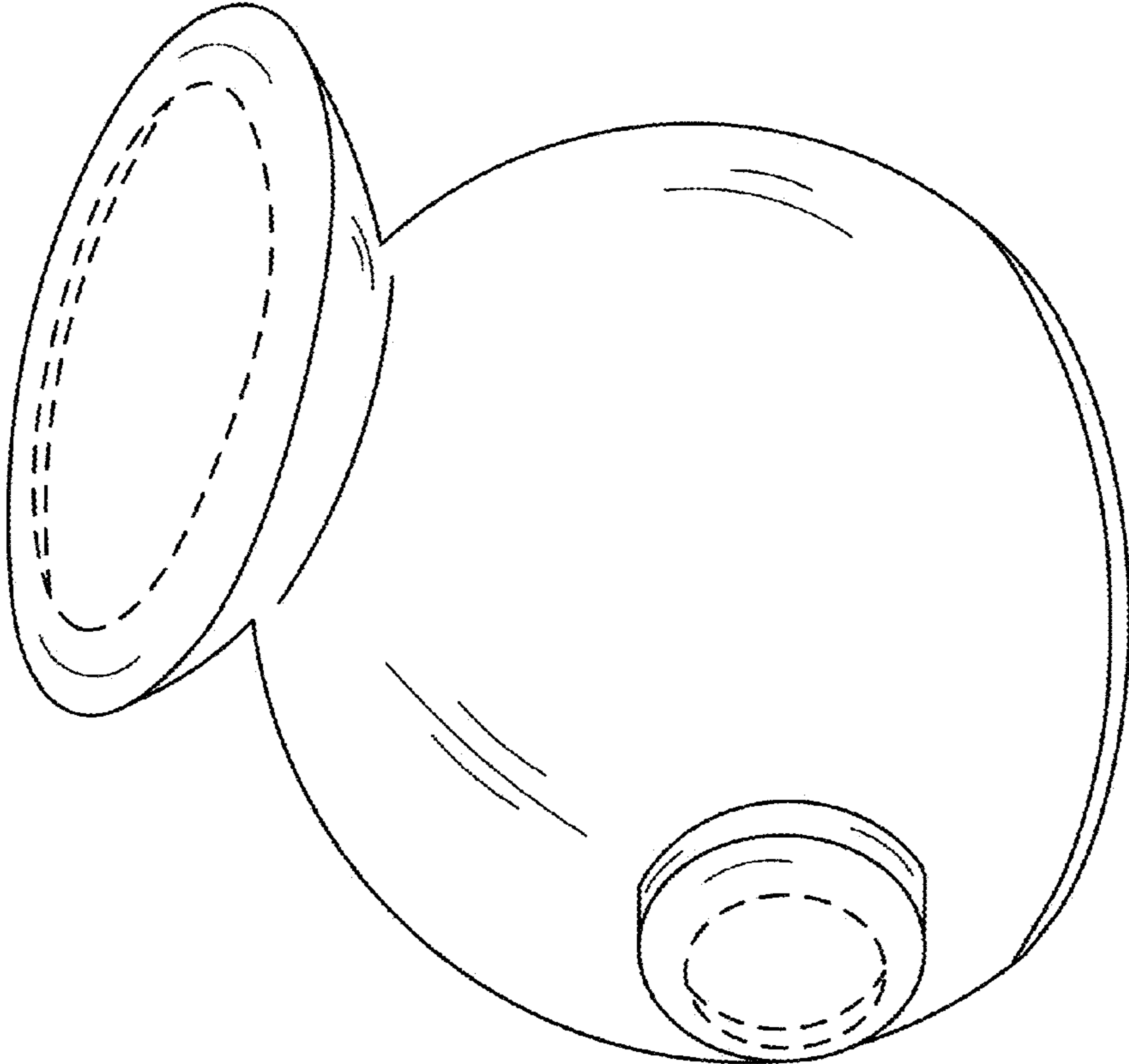


FIG.1

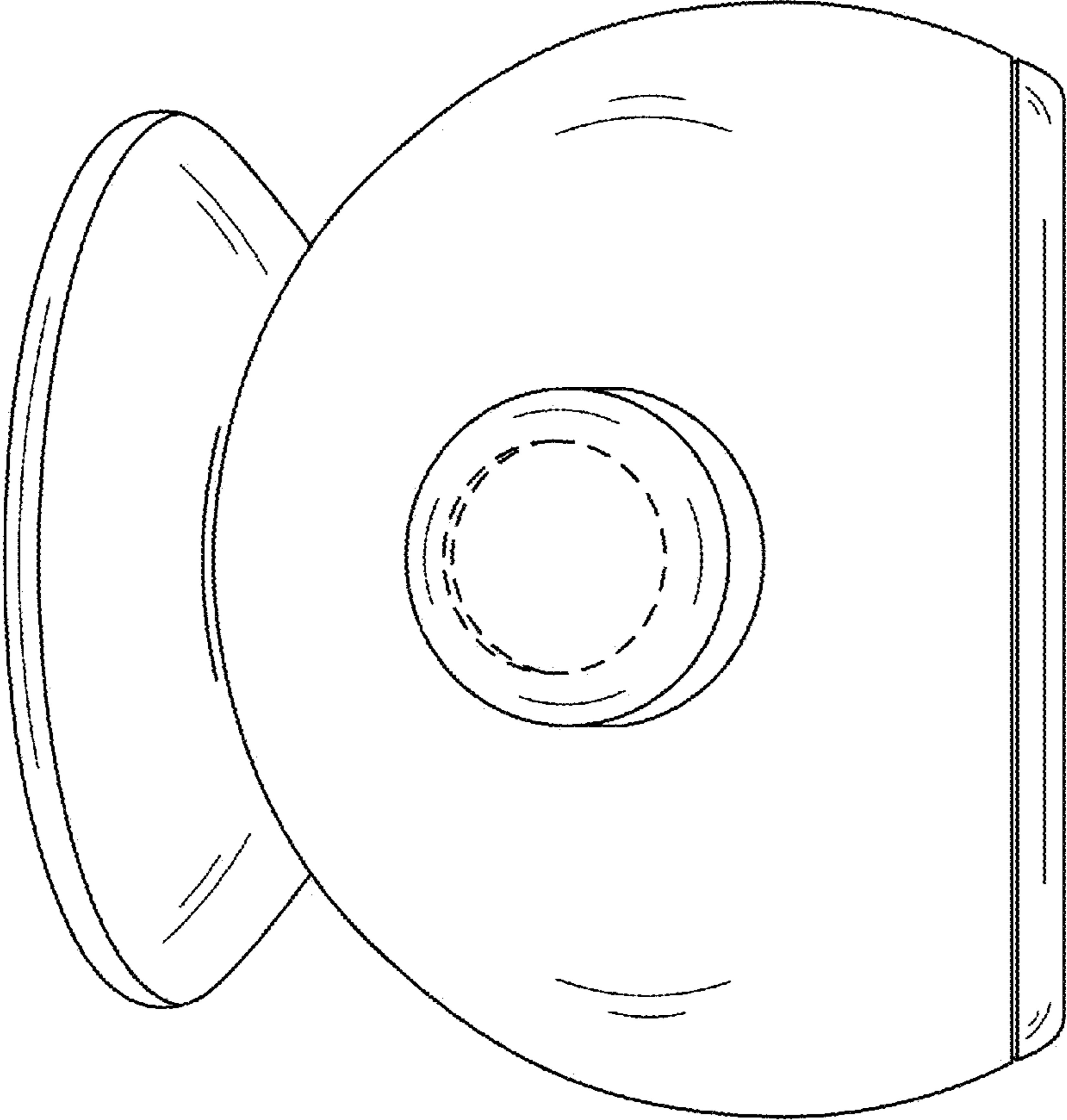


FIG.2

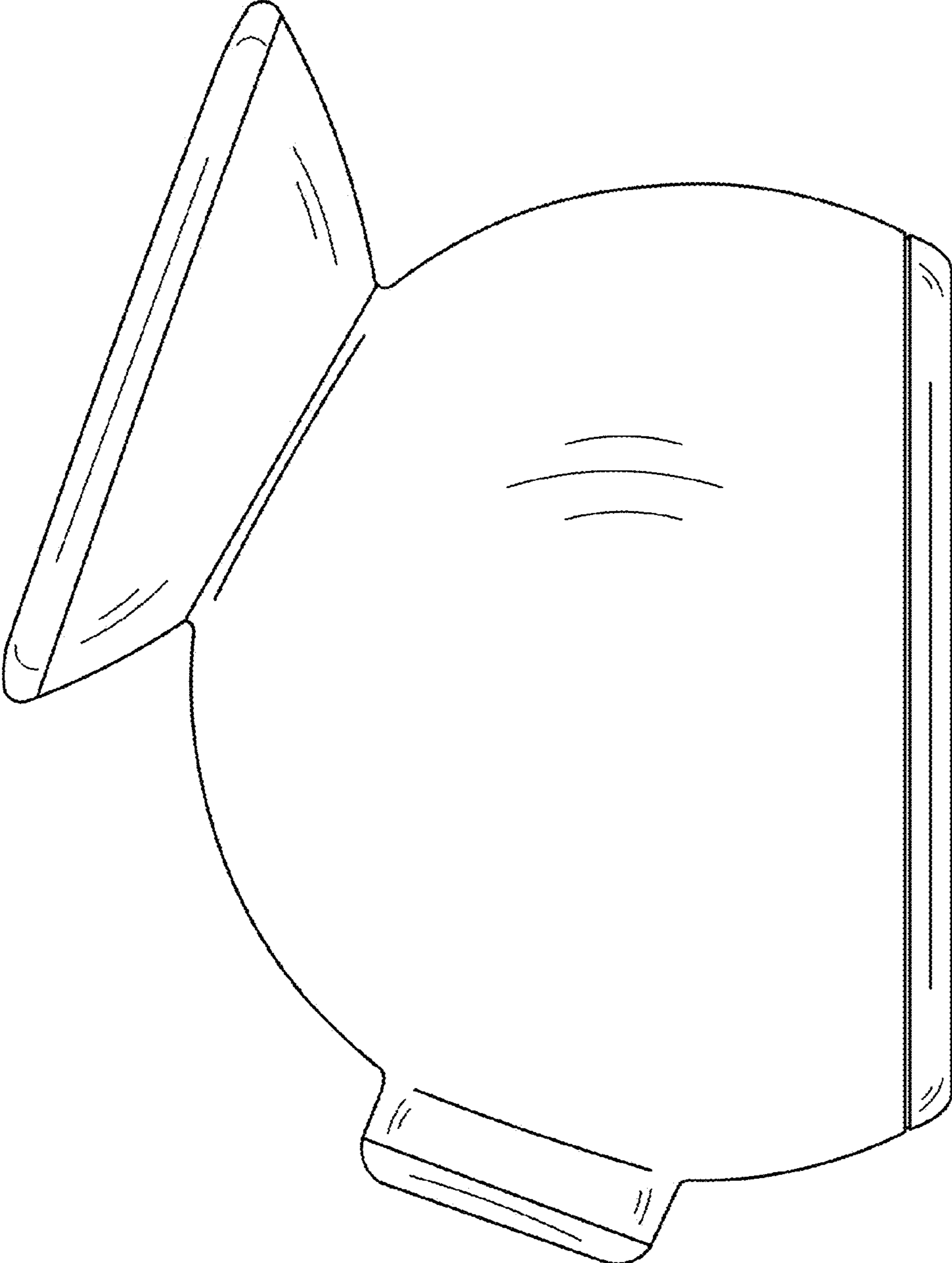


FIG.3

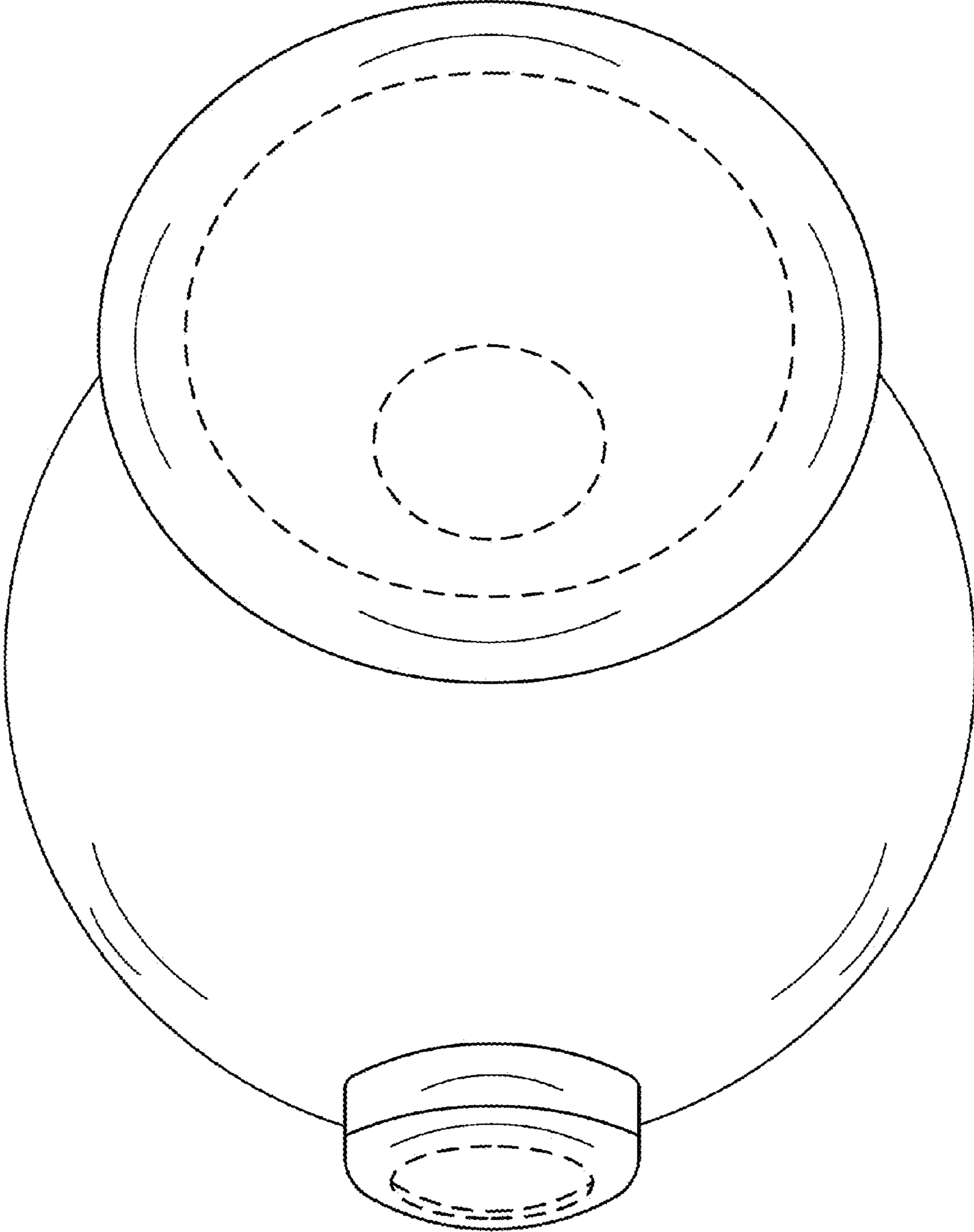


FIG.4

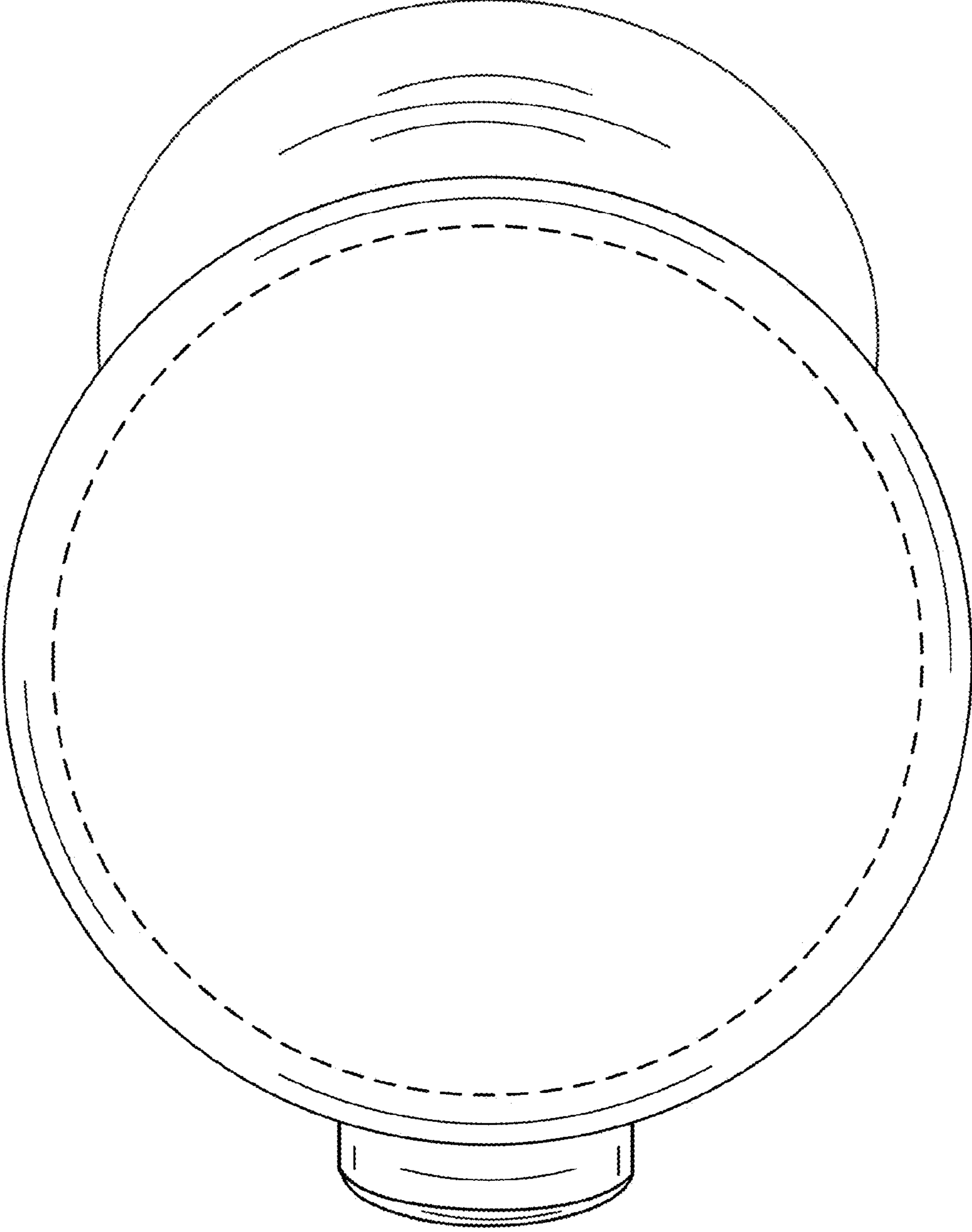


FIG.5