



US00D719701S

(12) **United States Design Patent**  
**Scatterday**

(10) **Patent No.:** **US D719,701 S**

(45) **Date of Patent:** **\*\* Dec. 16, 2014**

(54) **CASE FOR MULTIPLE ELECTRONIC CIGARETTES**

(71) Applicant: **Mark Scatterday**, Scottsdale, AZ (US)

(72) Inventor: **Mark Scatterday**, Scottsdale, AZ (US)

(73) Assignee: **NJoy, Inc.**, Scottsdale, AZ (US)

(\*\*) Term: **14 Years**

(21) Appl. No.: **29/452,073**

(22) Filed: **Apr. 11, 2013**

(51) **LOC (10) Cl.** ..... **27-06**

(52) **U.S. Cl.**  
USPC ..... **D27/189**

(58) **Field of Classification Search**

CPC ..... B65D 85/1045; B65D 85/1036; B65D 5/6691; B65D 85/10; A24F 13/14; A24F 15/12  
USPC ..... D13/107-110, 118-119, 184, 199; D14/217, 251, 253, 432, 434; 320/107-115; D27/172, 183, 184, D27/186-191, 193; 206/236, 242, 259, 206/261-270; D9/432, 745, 770  
See application file for complete search history.

(56) **References Cited**

**U.S. PATENT DOCUMENTS**

|              |         |               |       |         |
|--------------|---------|---------------|-------|---------|
| D207,179 S * | 3/1967  | Kanamara      | ..... | D27/148 |
| D244,784 S * | 6/1977  | O'Brien       | ..... | D27/159 |
| D379,248 S * | 5/1997  | Khemarangsana | ..... | D27/141 |
| D441,494 S * | 5/2001  | Chen          | ..... | D27/144 |
| D498,877 S * | 11/2004 | Sher          | ..... | D27/156 |
| D683,898 S * | 6/2013  | Liu           | ..... | D27/189 |
| D690,461 S * | 9/2013  | Chen          | ..... | D27/187 |

|                   |         |                   |       |         |
|-------------------|---------|-------------------|-------|---------|
| 8,794,434 B2 *    | 8/2014  | Scatterday et al. | ..... | 206/266 |
| 2013/0248385 A1 * | 9/2013  | Scatterday et al. | ..... | 206/86  |
| 2013/0313139 A1 * | 11/2013 | Scatterday et al. | ..... | 206/252 |

\* cited by examiner

*Primary Examiner* — Barbara Fox

*Assistant Examiner* — Chelsea Sealey

(74) *Attorney, Agent, or Firm* — Weiss & Moy, P.C.;  
Veronica-Adele R. Cao

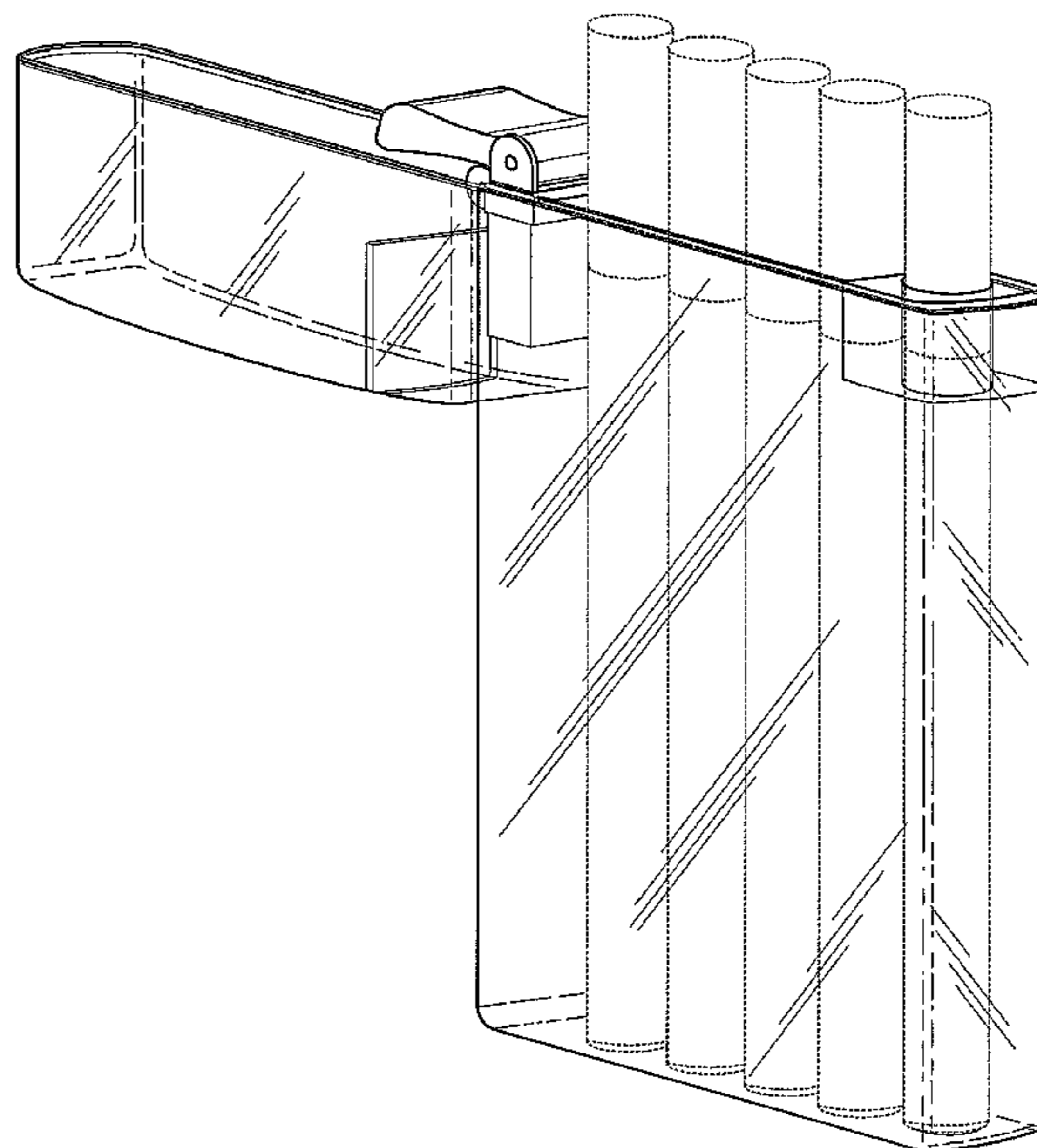
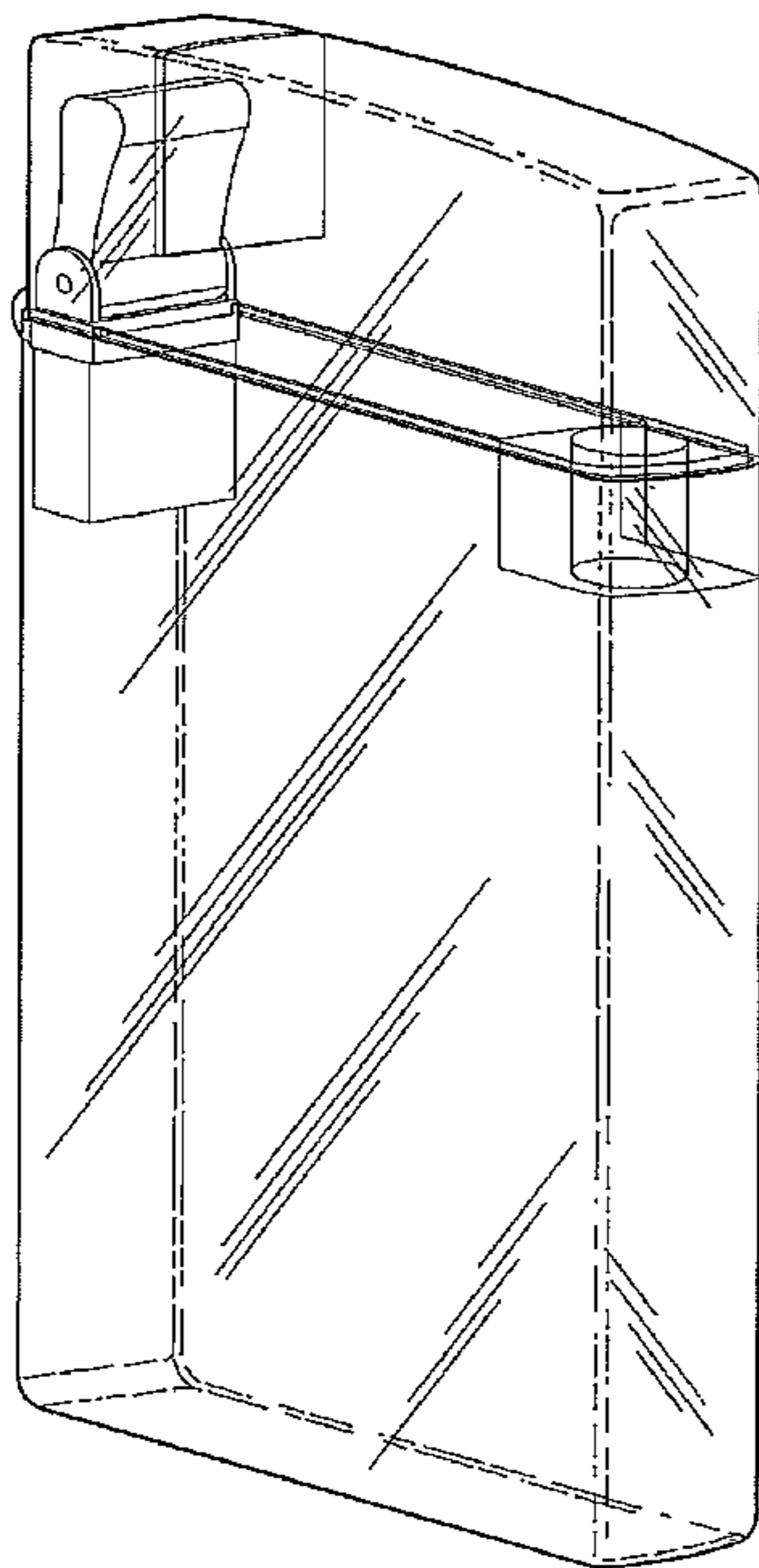
(57) **CLAIM**

The ornamental design for a case for multiple electronic cigarettes, as shown and described.

**DESCRIPTION**

FIG. 1 is a perspective view of a case for multiple electronic cigarettes showing the new design, shown with the lid in a closed position;  
FIG. 2 is a front view of the case for multiple electronic cigarettes shown with the lid in a closed position;  
FIG. 3 is a rear view of the case for multiple electronic cigarettes shown with the lid in a closed position;  
FIG. 4 is a left side view of the case for multiple electronic cigarettes shown with the lid in a closed position;  
FIG. 5 is a right side view of the case for multiple electronic cigarettes shown with the lid in a closed position;  
FIG. 6 is a top view of the case for multiple electronic cigarettes shown with the lid in a closed position;  
FIG. 7 is a bottom view of the case for multiple electronic cigarettes shown with the lid in a closed position; and,  
FIG. 8 is a perspective view of the case for multiple electronic cigarettes of FIG. 1, shown with the lid in a fully open position; the electronic cigarettes are shown in broken lines within the case and form no part of the claimed design.

**1 Claim, 5 Drawing Sheets**



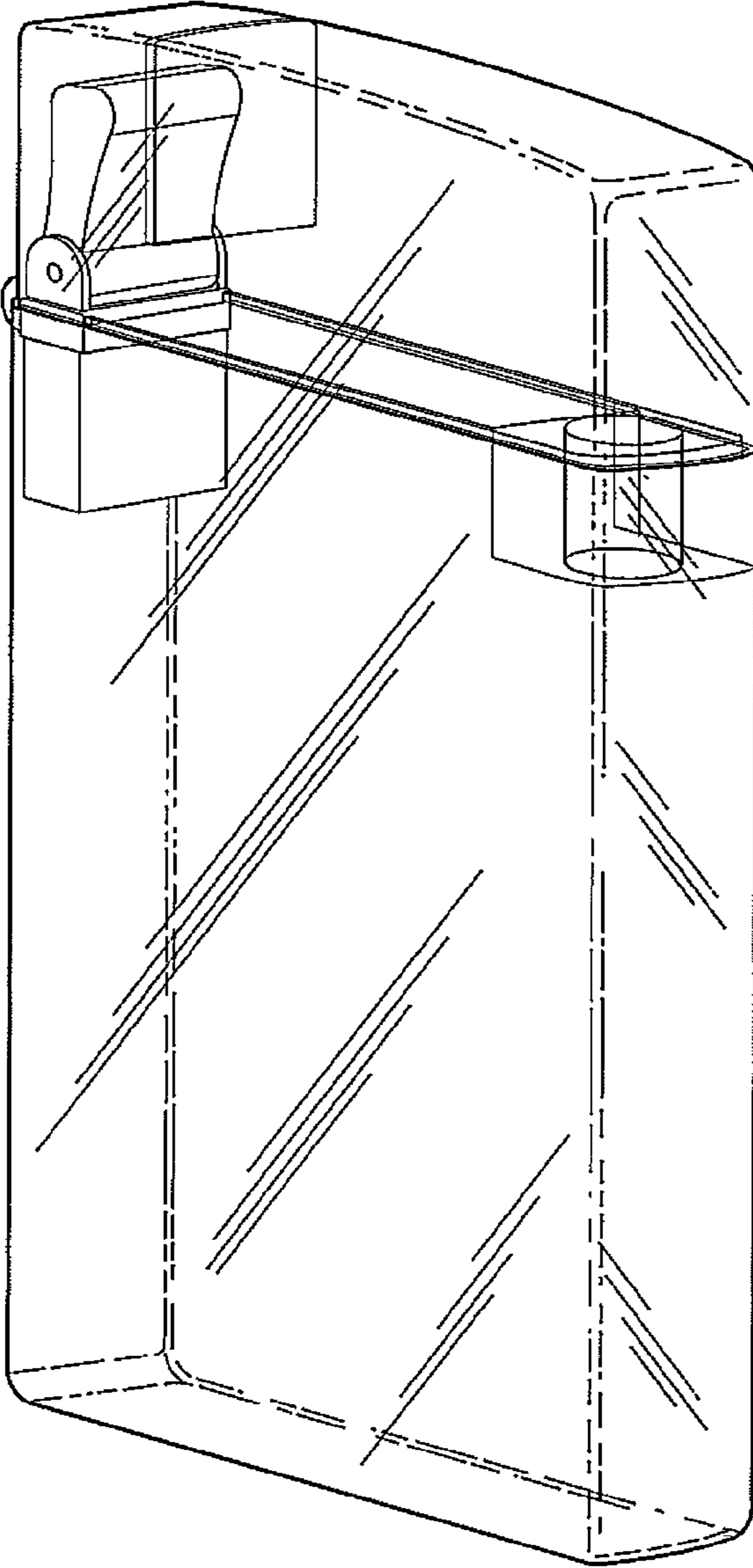


FIG. 1

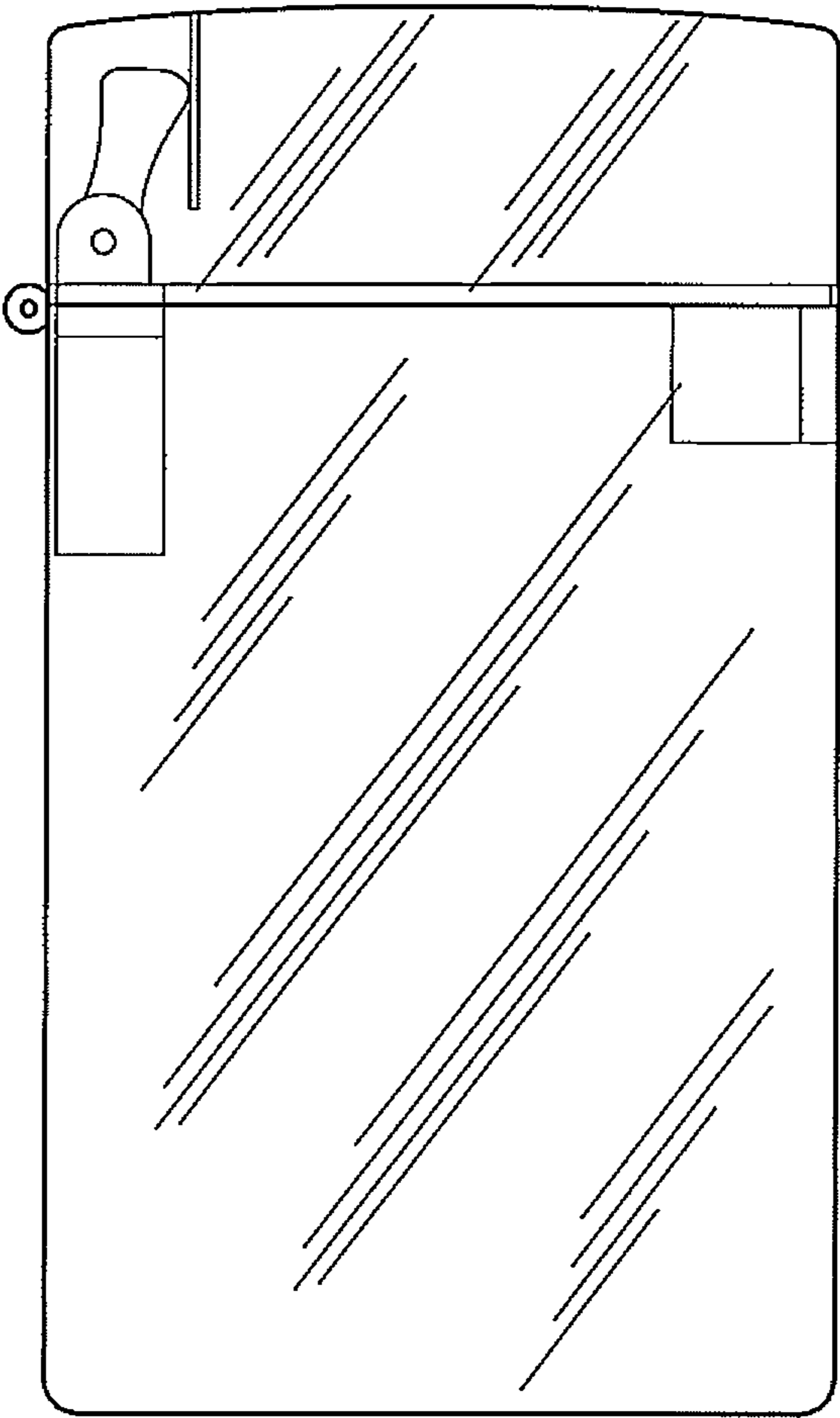


FIG. 2

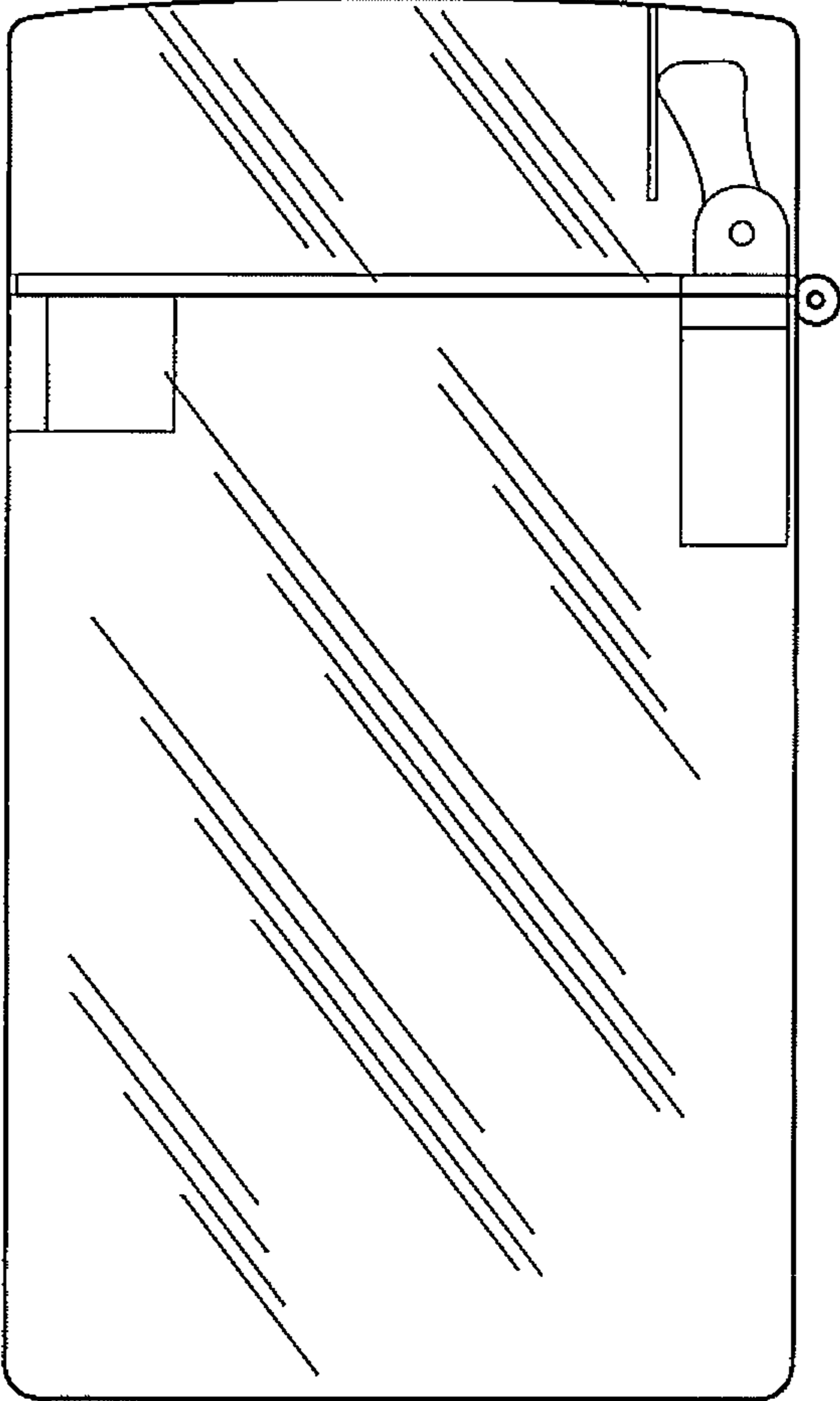


FIG. 3

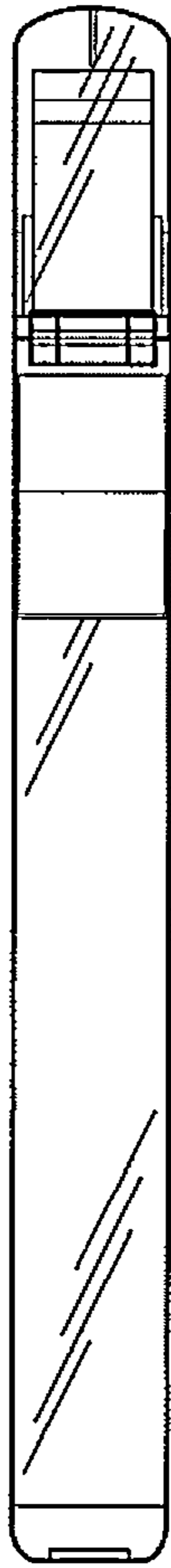


FIG. 4

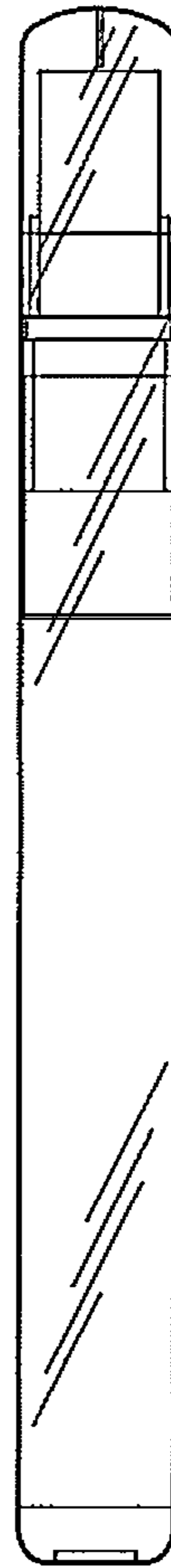


FIG. 5

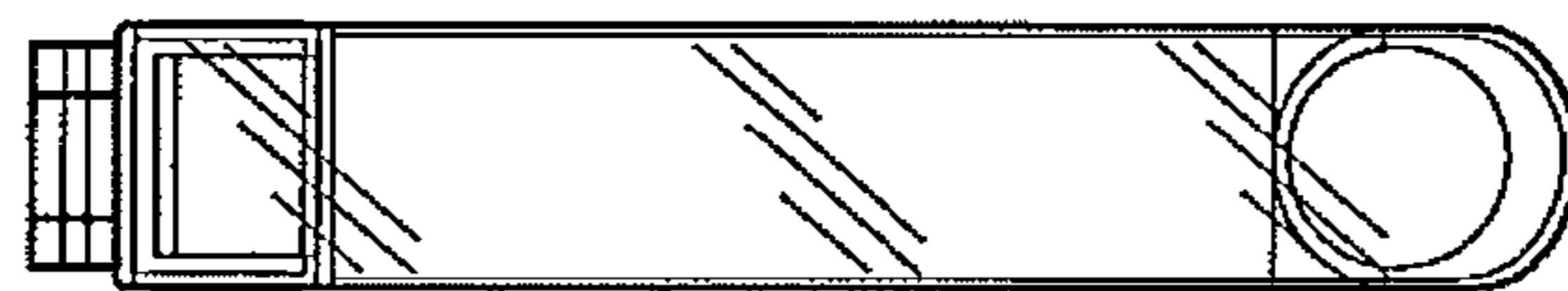


FIG. 6



FIG. 7

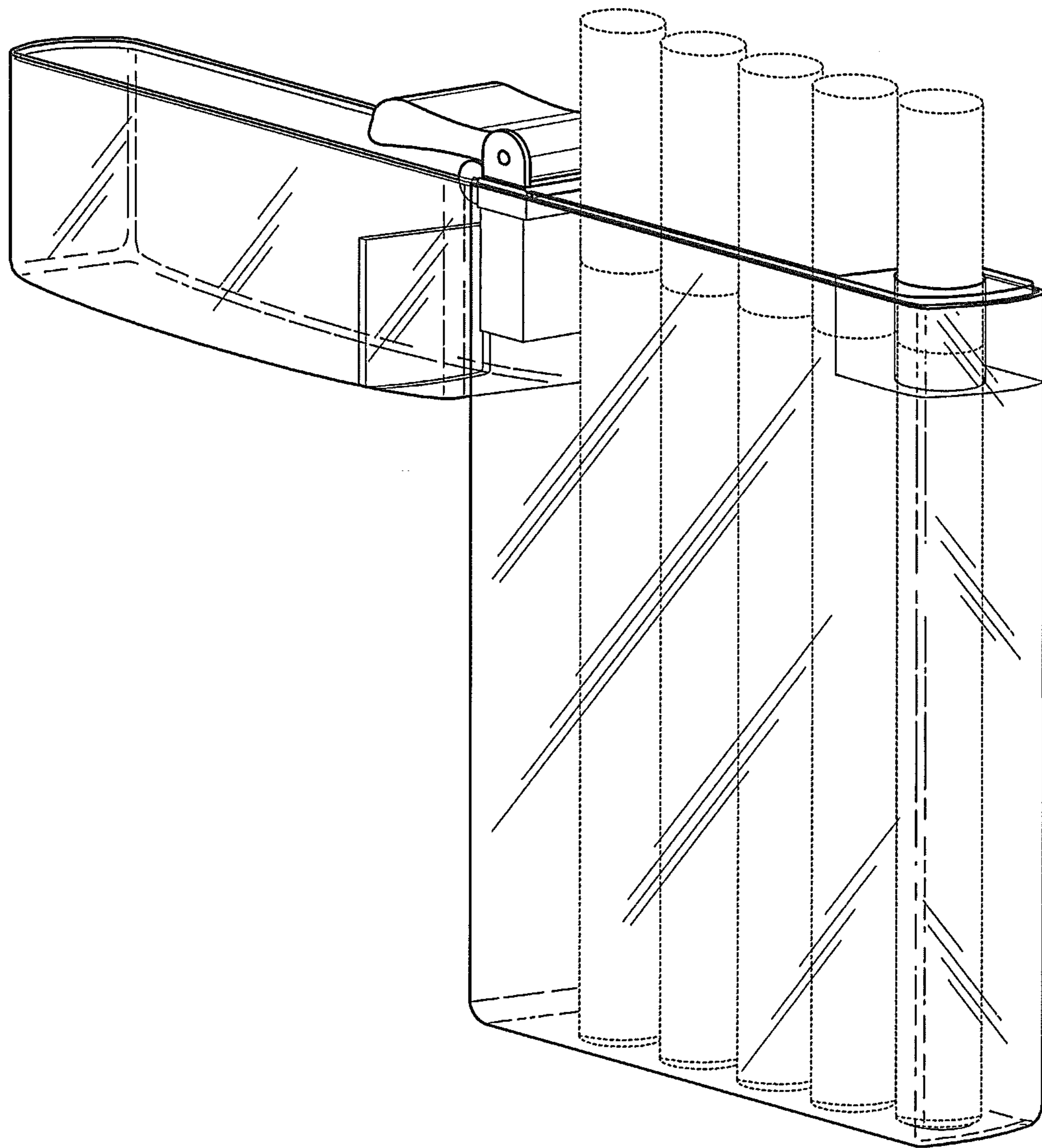


FIG. 8