



US00D719699S

(12) **United States Design Patent**
Bryant

(10) **Patent No.:** **US D719,699 S**

(45) **Date of Patent:** **** Dec. 16, 2014**

(54) **LUMINAIRE WITH HORIZONTAL LIGHT FIXTURES**

(71) Applicant: **Christopher Michael Bryant**, Social Circle, GA (US)

(72) Inventor: **Christopher Michael Bryant**, Social Circle, GA (US)

(73) Assignee: **Cooper Technologies Company**, Houston, TX (US)

(**) Term: **14 Years**

(21) Appl. No.: **29/461,232**

(22) Filed: **Jul. 19, 2013**

(51) **LOC (10) Cl.** **26-03**

(52) **U.S. Cl.**
USPC **D26/82; D26/85**

(58) **Field of Classification Search**
USPC D26/72, 80, 82, 85-87, 92, 118, 120;
362/147, 432; D10/114.2
See application file for complete search history.

(56) **References Cited**

U.S. PATENT DOCUMENTS

D135,613 S *	5/1943	Hallman	D26/82
D166,411 S *	4/1952	Rahn	D26/80
D248,184 S *	6/1978	Roberts	D26/85
D507,373 S *	7/2005	Kim	D26/80
D532,918 S *	11/2006	Lay et al.	D26/80

D626,443 S *	11/2010	Yu	D10/114.2
D627,916 S *	11/2010	Butteris et al.	D26/85
D641,100 S *	7/2011	Li	D26/118
D653,377 S *	1/2012	Guercio	D26/85
D662,251 S *	6/2012	Wauters	D26/85
D668,810 S *	10/2012	Bryant	D26/85
D679,620 S *	4/2013	Ten Wolde	D10/114.2
D681,864 S *	5/2013	Guercio et al.	D26/85
D688,148 S *	8/2013	Ten Wolde	D10/114.2

OTHER PUBLICATIONS

Sure-Lites, PathLinx LED Emergency Light LEM, Nov. 1, 2012.
www.cooperlighting.com.

* cited by examiner

Primary Examiner — Clare E Heflin

(74) *Attorney, Agent, or Firm* — King & Spalding LLP

(57) **CLAIM**

The ornamental design for a luminaire with horizontal light fixtures, as shown and described.

DESCRIPTION

FIG. 1 is a perspective view of a luminaire with horizontal light fixtures, showing my new design;
FIG. 2 is a front-side elevation view thereof;
FIG. 3 is a rear-side elevation view thereof;
FIG. 4 is a bottom plan view thereof;
FIG. 5 is a top plan view thereof;
FIG. 6 is a left-side elevation view thereof; and,
FIG. 7 is a right-side elevation view thereof.
The broken lines shown represent unclaimed subject matter and form no part of the claimed design.

1 Claim, 5 Drawing Sheets

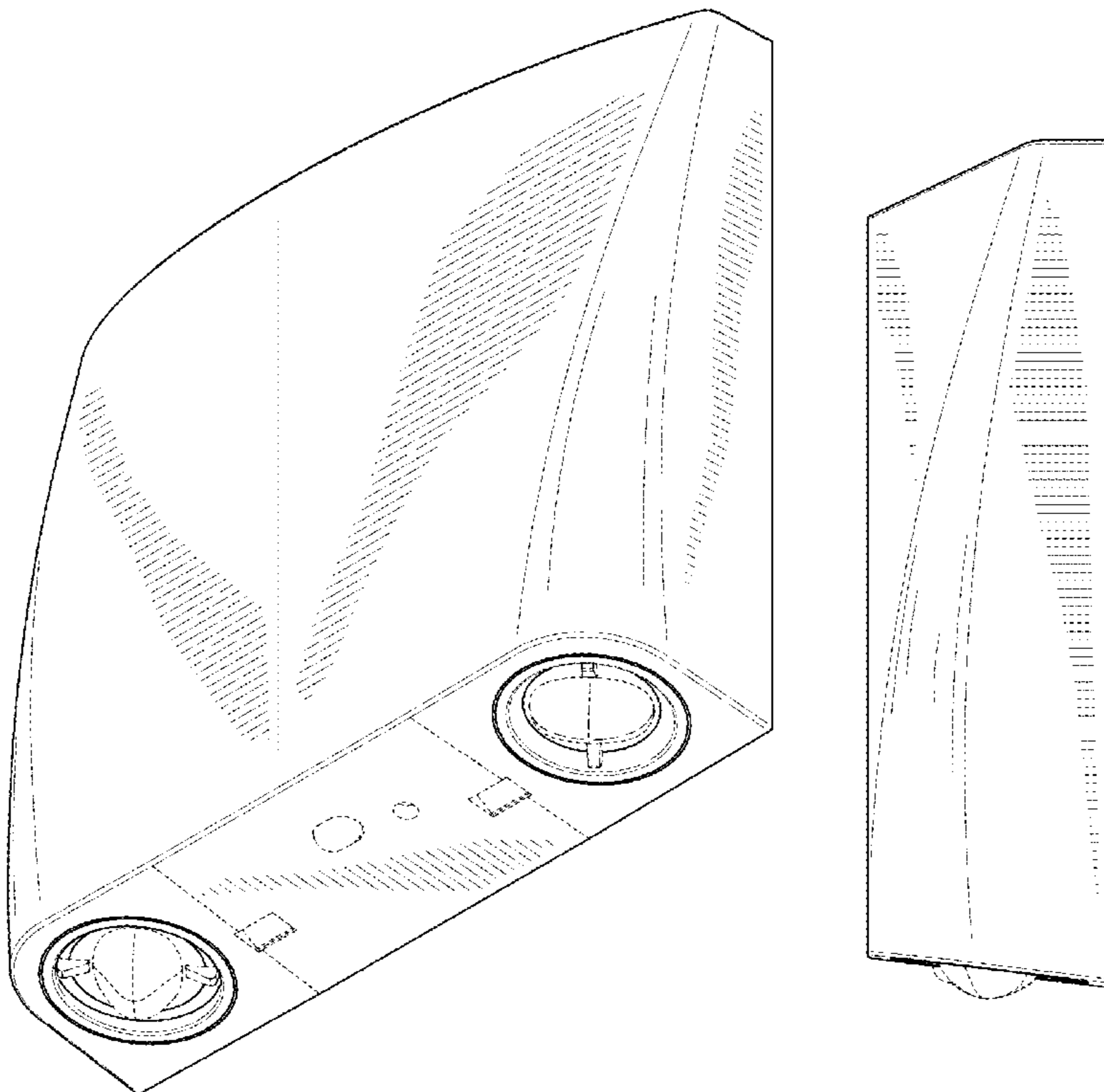


FIG. 1

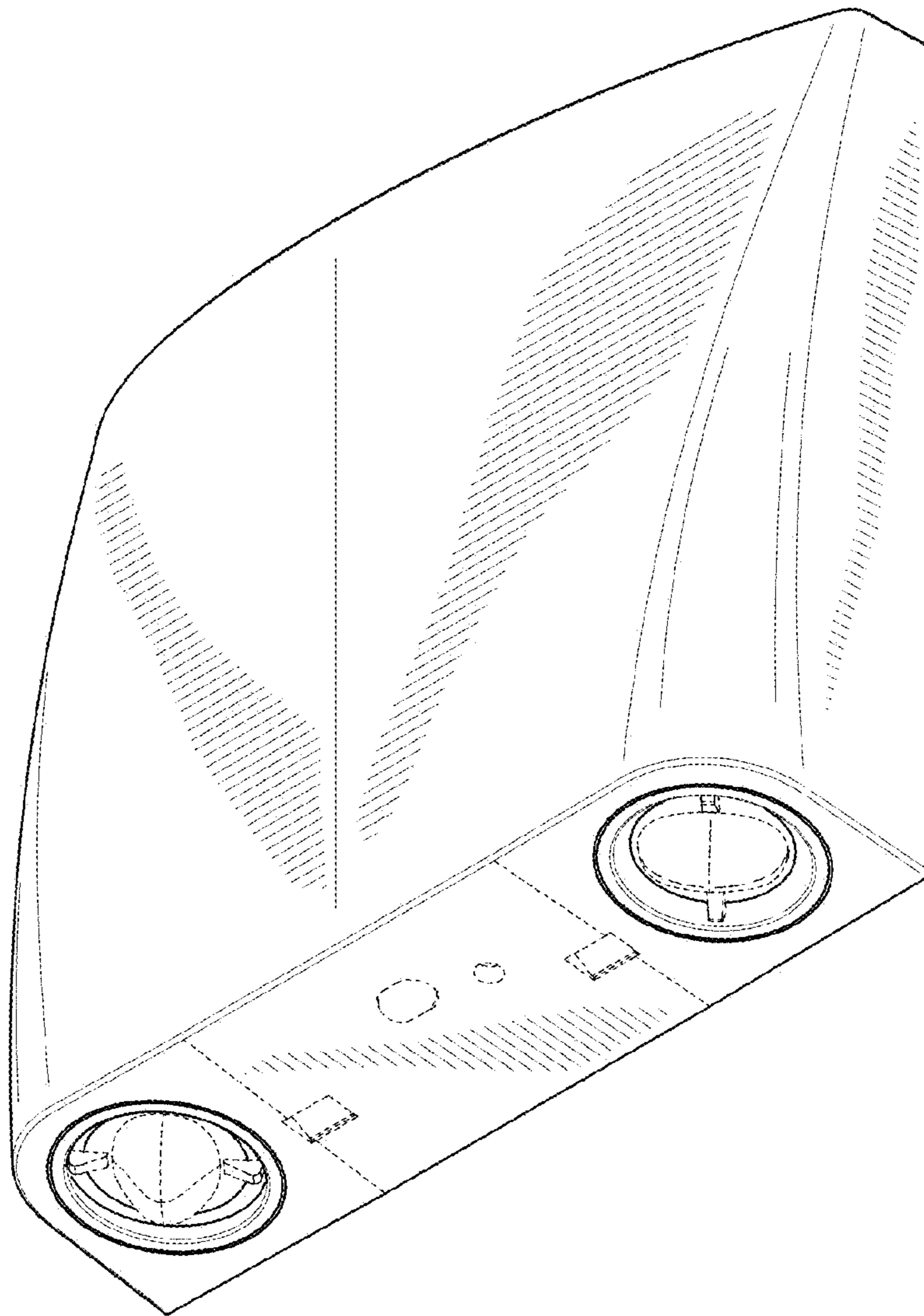


FIG. 2

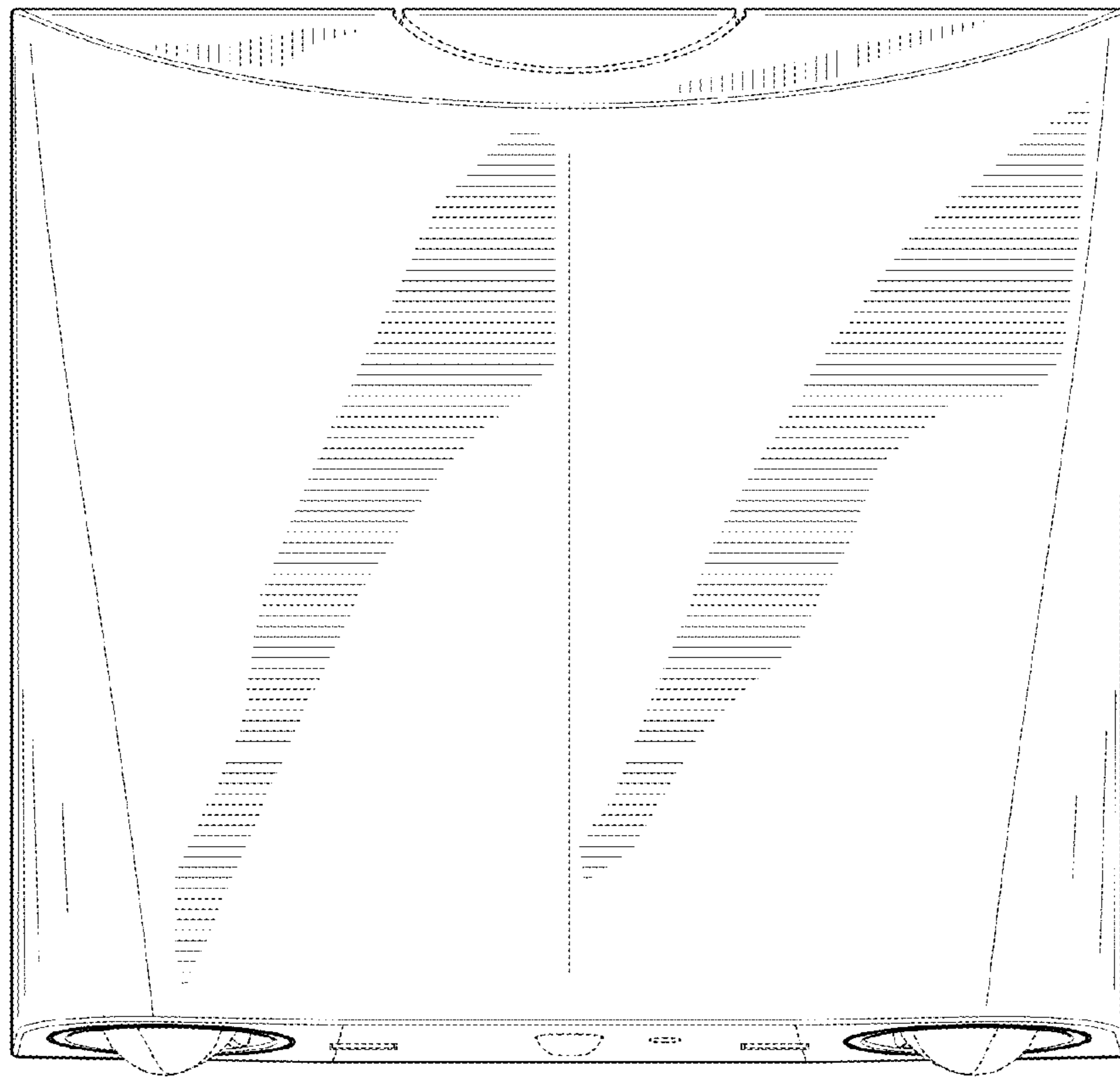


FIG. 3

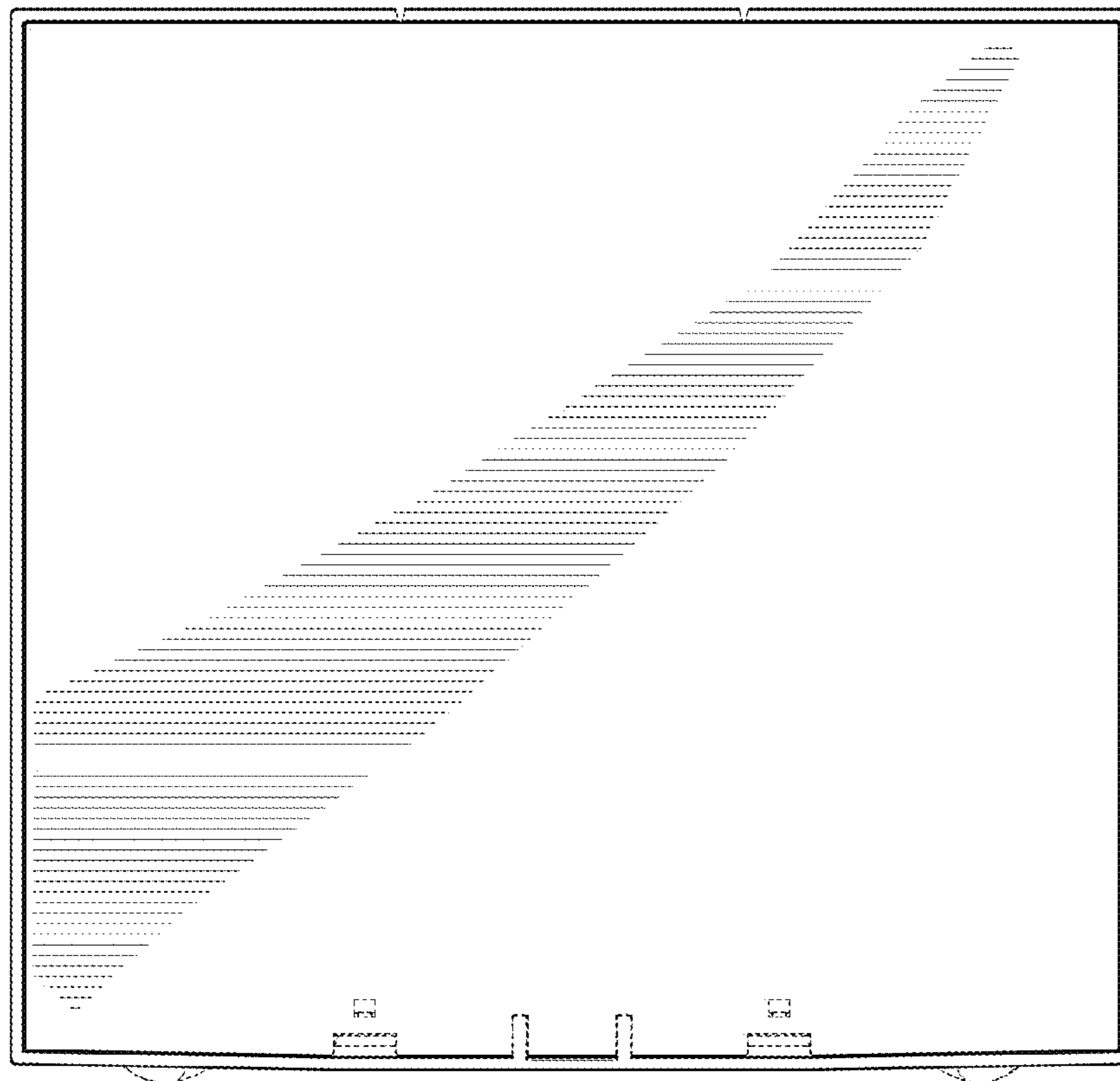


FIG. 5

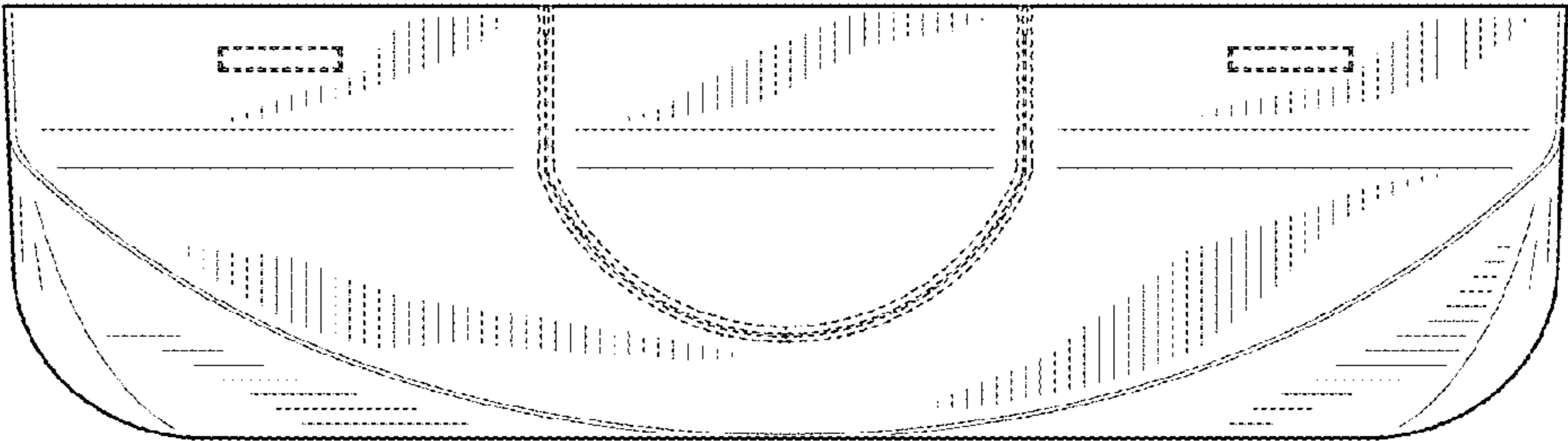


FIG. 4

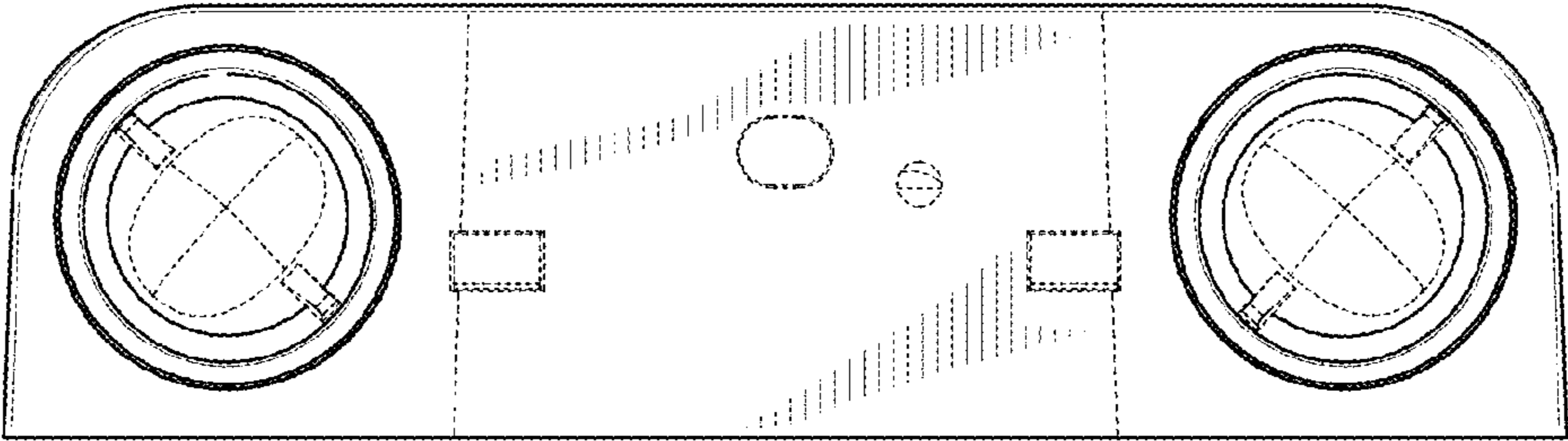


FIG. 7

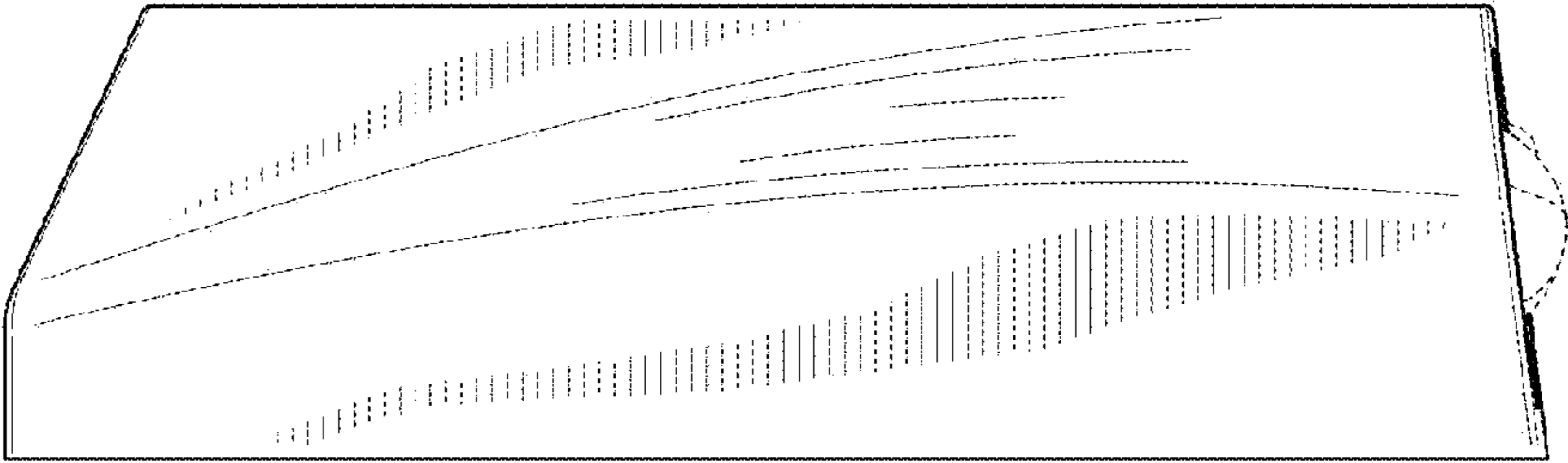


FIG. 6

