



US00D719698S

(12) **United States Design Patent**
Mollaghaffari et al.

(10) **Patent No.:** **US D719,698 S**

(45) **Date of Patent:** **** Dec. 16, 2014**

(54) **CHANDELIER**

(71) Applicant: **PHC Northwest**, Portland, OR (US)

(72) Inventors: **Massoud Mollaghaffari**, Portland, OR (US); **Nasim Rose**, Vancouver, WA (US)

(73) Assignee: **PHC Northwest, Inc.**, Portland, OR (US)

(**) Term: **14 Years**

(21) Appl. No.: **29/490,206**

(22) Filed: **May 7, 2014**

(51) **LOC (10) Cl.** **26-03**

(52) **U.S. Cl.**
USPC **D26/81; D26/86; D26/88**

(58) **Field of Classification Search**
USPC D26/73, 80–84, 86, 88, 90, 91;
362/147, 404–408, 431, 432
See application file for complete search history.

(56) **References Cited**

U.S. PATENT DOCUMENTS

D70,605 S *	7/1926	Frerichs	D26/81
D84,170 S *	5/1931	Walker	D26/81
D96,957 S *	9/1935	Canning	D22/123
D100,939 S *	8/1936	D'Aschbach	D11/121
D132,865 S *	6/1942	Drollinger	D14/209
D181,554 S *	11/1957	Stiffel	D26/81
3,018,362 A *	1/1962	Joyce	362/566
D286,445 S *	10/1986	Sink	D26/86
D518,226 S *	3/2006	Schuyler et al.	D26/154
D541,970 S *	5/2007	Blackman	D26/81
D647,660 S *	10/2011	Steenhoudt	D26/83
D647,661 S *	10/2011	Steenhoudt	D26/84
D649,674 S *	11/2011	Sabernig	D26/84

D665,525 S *	8/2012	Patterson	D26/86
D667,158 S *	9/2012	Fisher et al.	D26/80
D711,578 S *	8/2014	Naddeo	D26/81

* cited by examiner

Primary Examiner — Clare E Heflin

(74) *Attorney, Agent, or Firm* — Baumgartner Patent Law; Marc Baumgartner

(57) **CLAIM**

The ornamental design for a chandelier, as shown and described.

DESCRIPTION

FIG. 1 is a right side view of the chandelier (the left side is a mirror image of this side).

FIG. 2 is a bottom view of the chandelier.

FIG. 3 is a top view of the chandelier.

FIG. 4 is a top perspective view of the chandelier.

FIG. 5 is a top perspective view of the chandelier, in a rotated position.

FIG. 6 is a close up right side view of the chandelier (the left side is a mirror image of this side).

FIG. 7 is a close up top side view of the chandelier (the bottom side is a mirror image of this side).

FIG. 8 is a close up top perspective view of the chandelier in a rotated position.

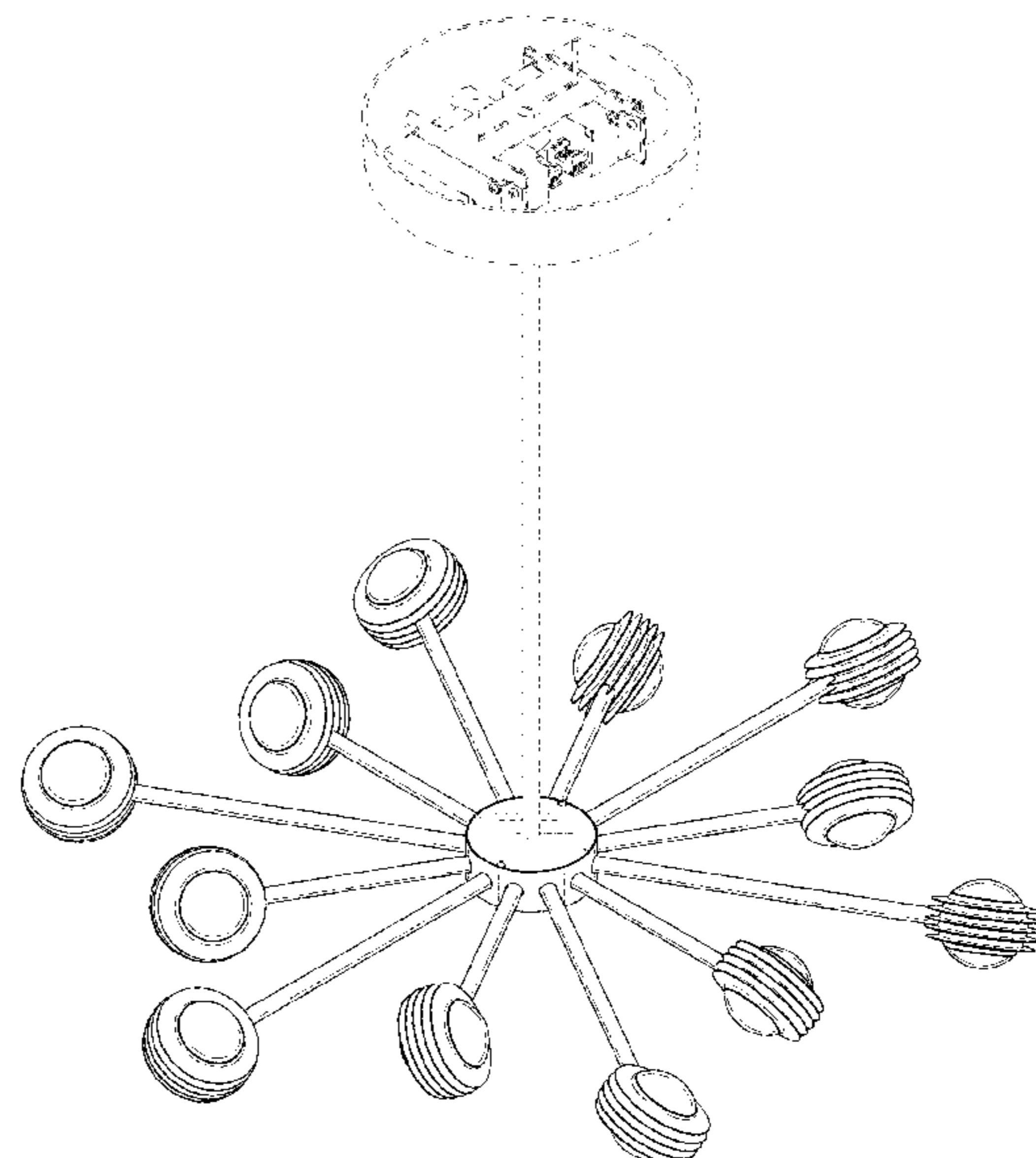
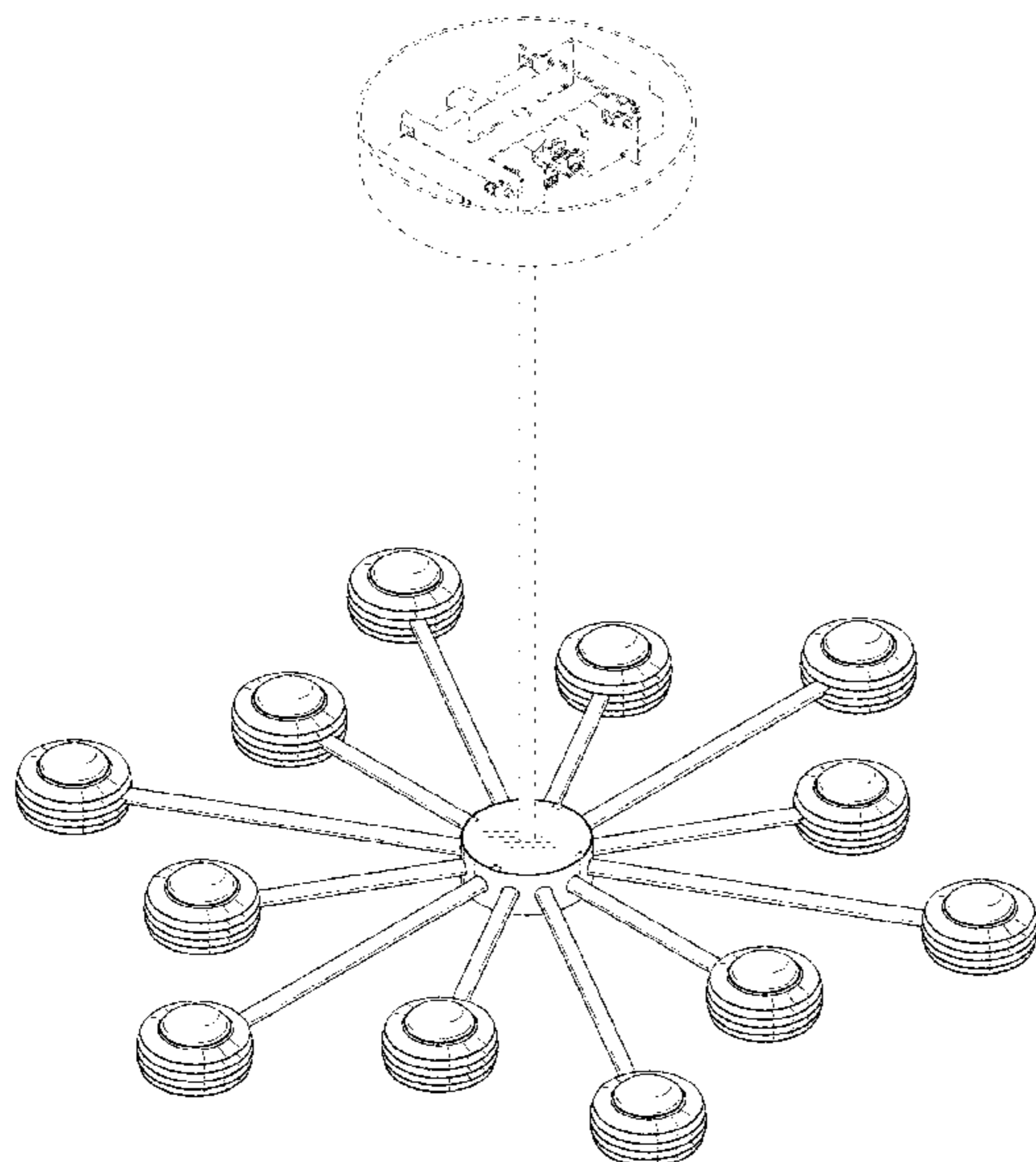
FIG. 9 is a close up top perspective view of the chandelier.

FIG. 10 is a close up right side view of the chandelier (the left side is a mirror image of this side); and,

FIG. 11 is a close up right side view of the chandelier in a rotated position (the left side is a mirror image of this side).

The broken lines are included for the purpose of showing portions of the article and form no part of the claimed design.

1 Claim, 9 Drawing Sheets



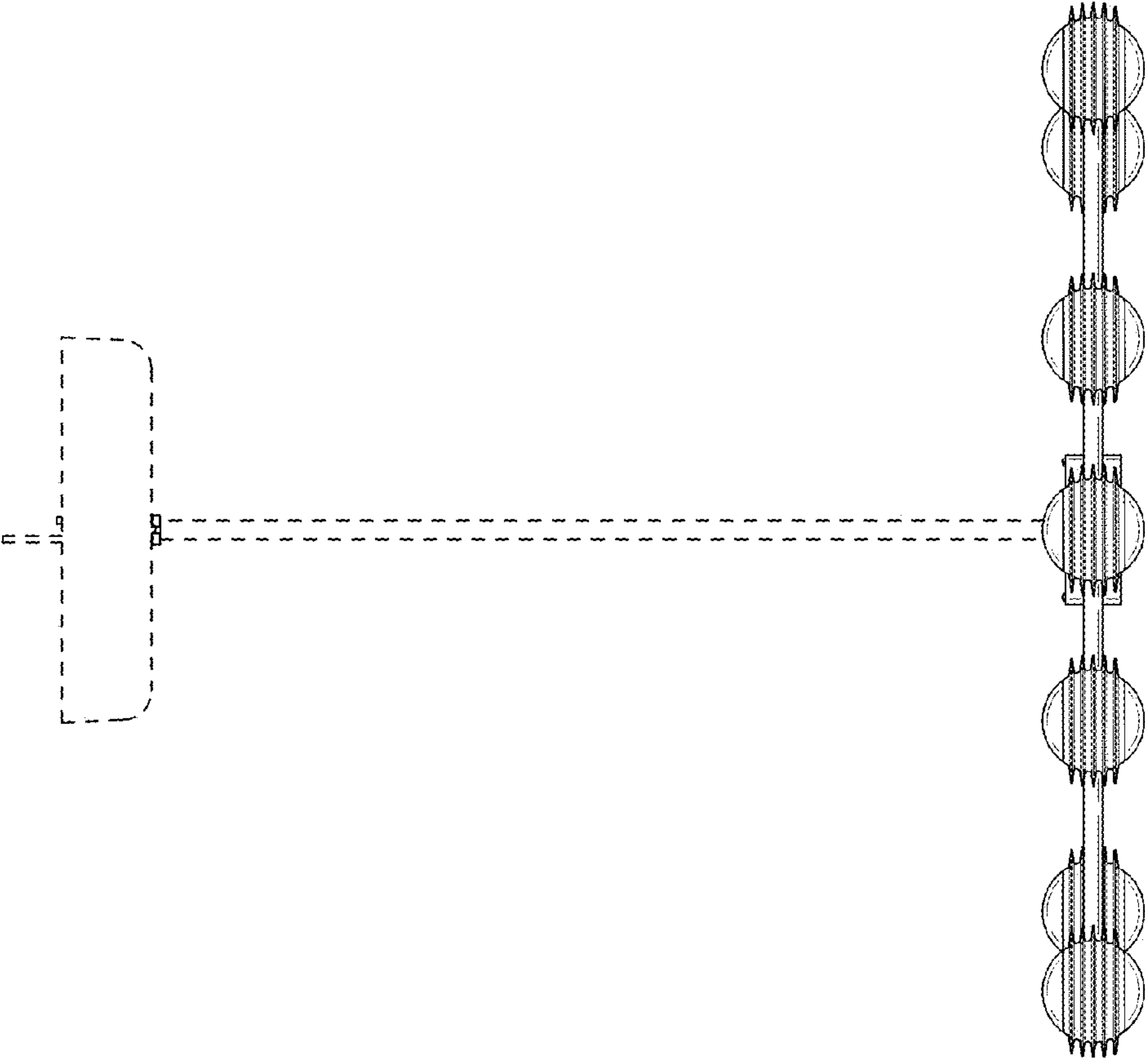


FIG. 1

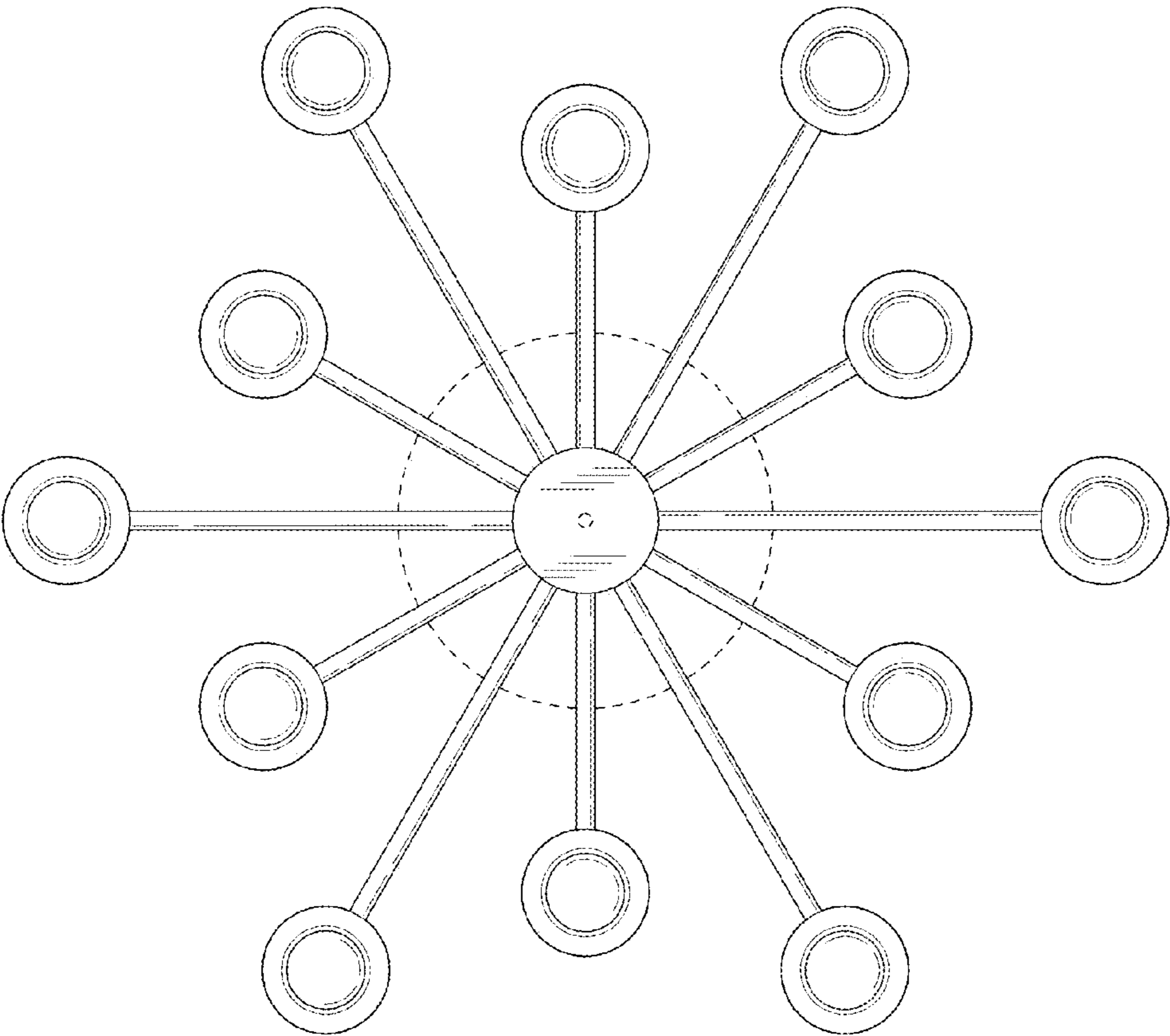


FIG. 2

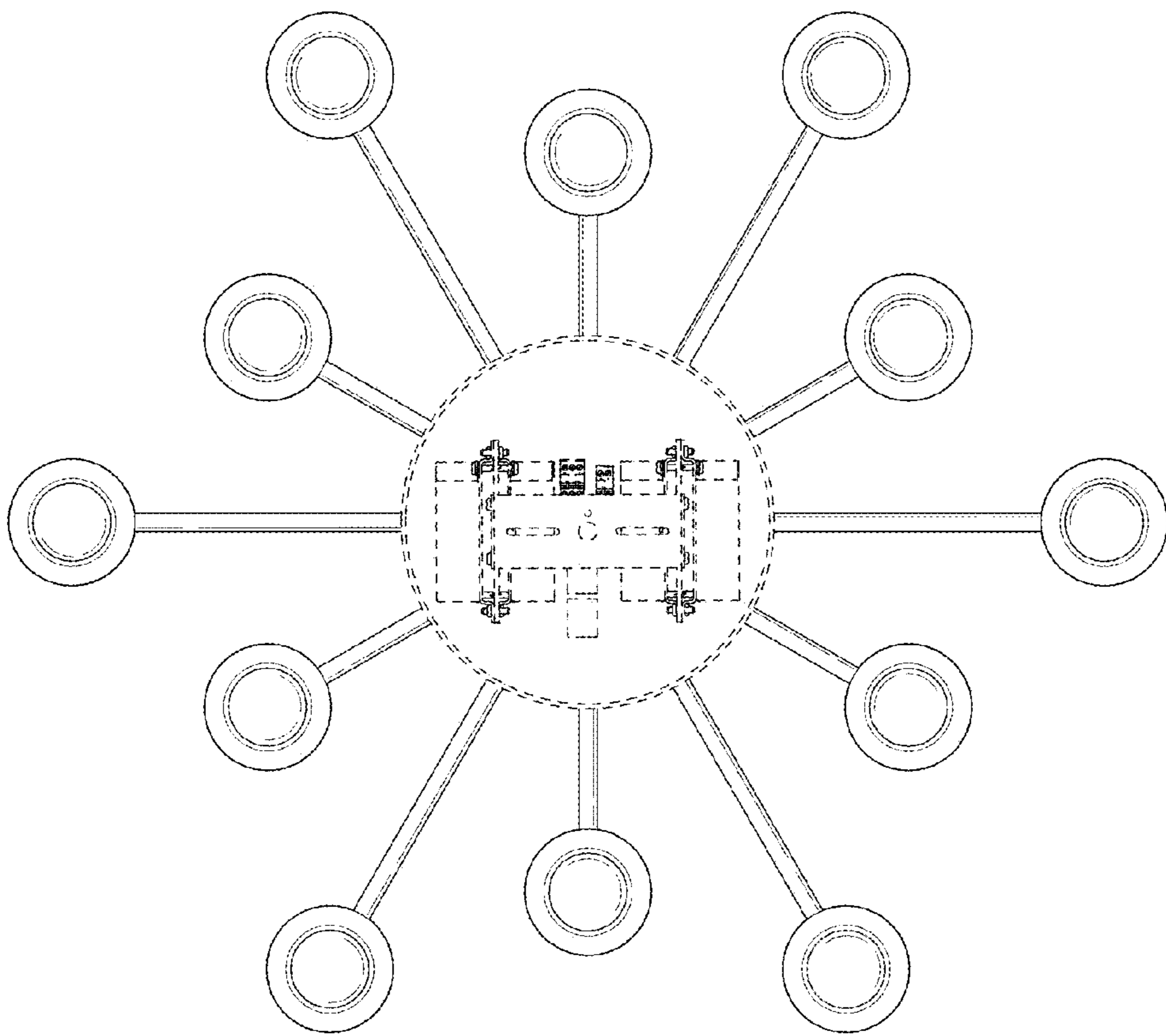


FIG. 3

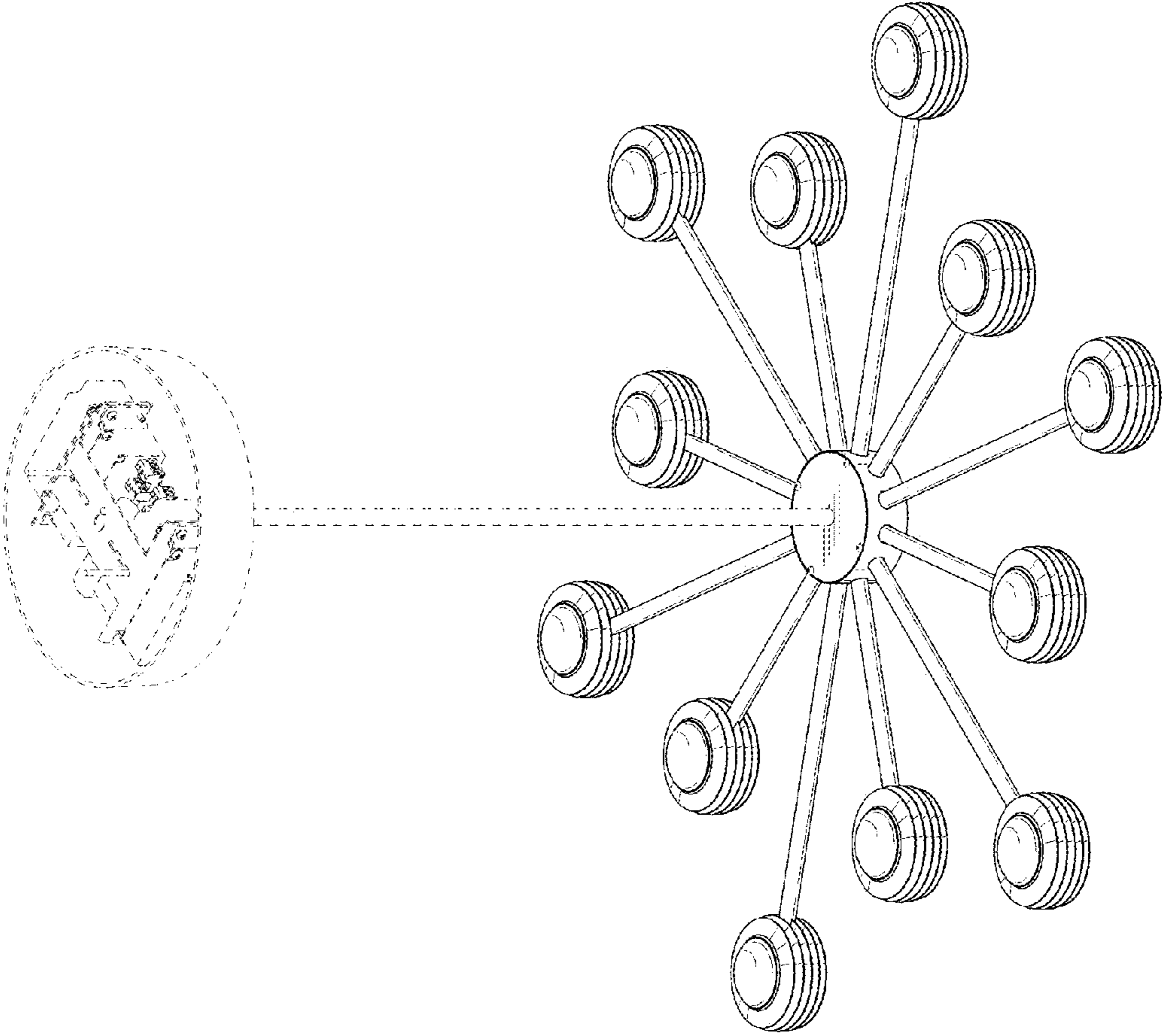


FIG. 4

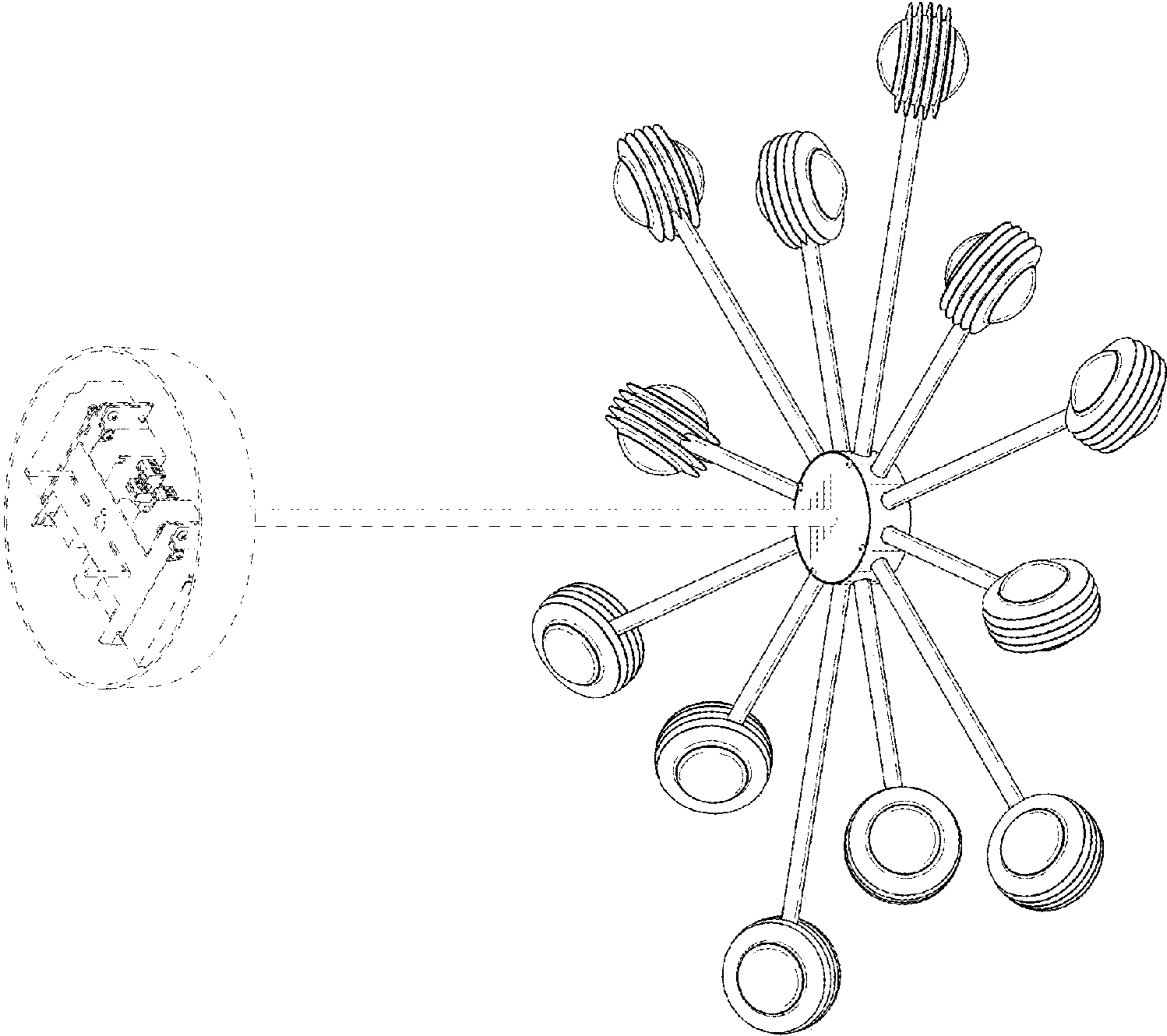


FIG. 5

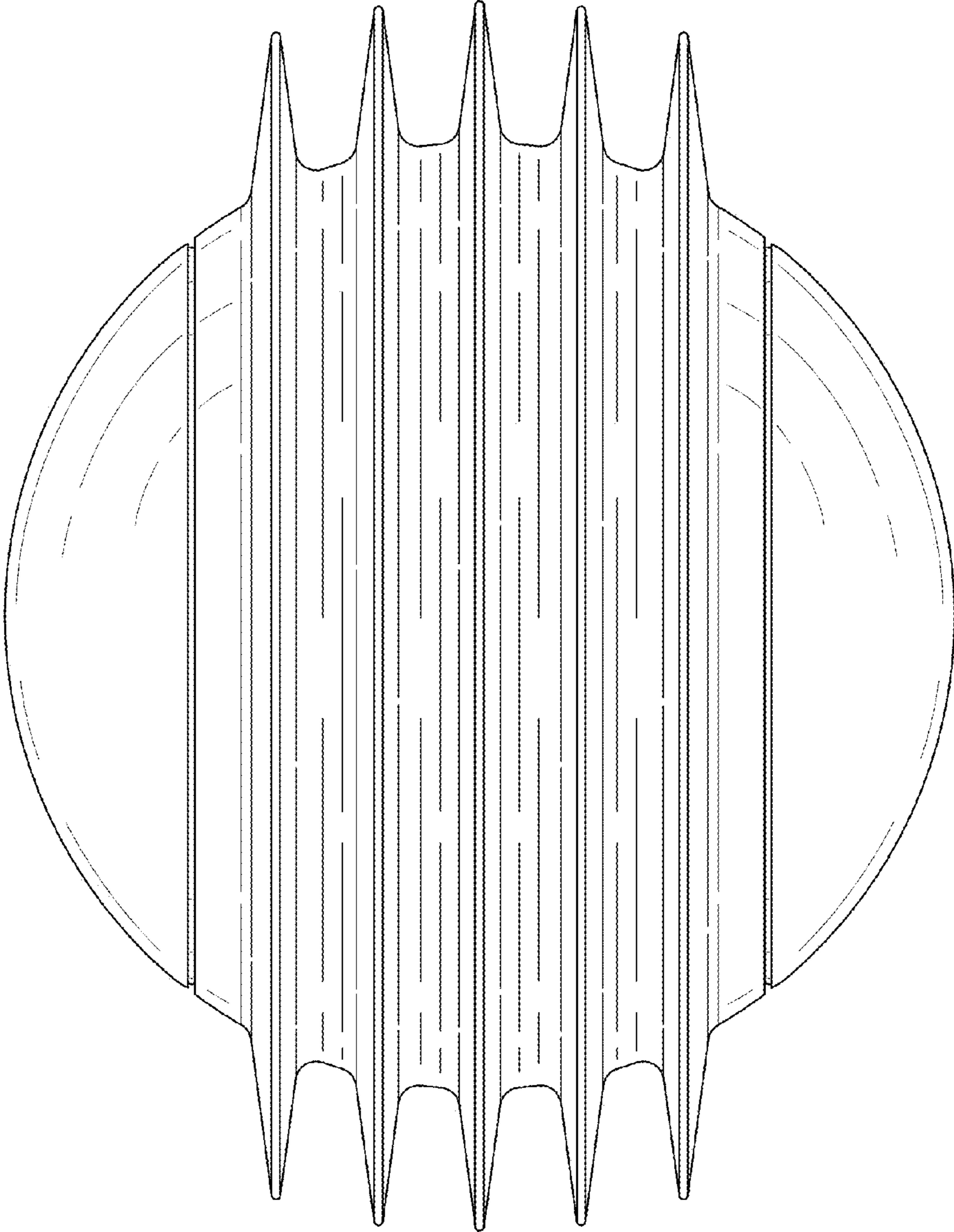


FIG. 6

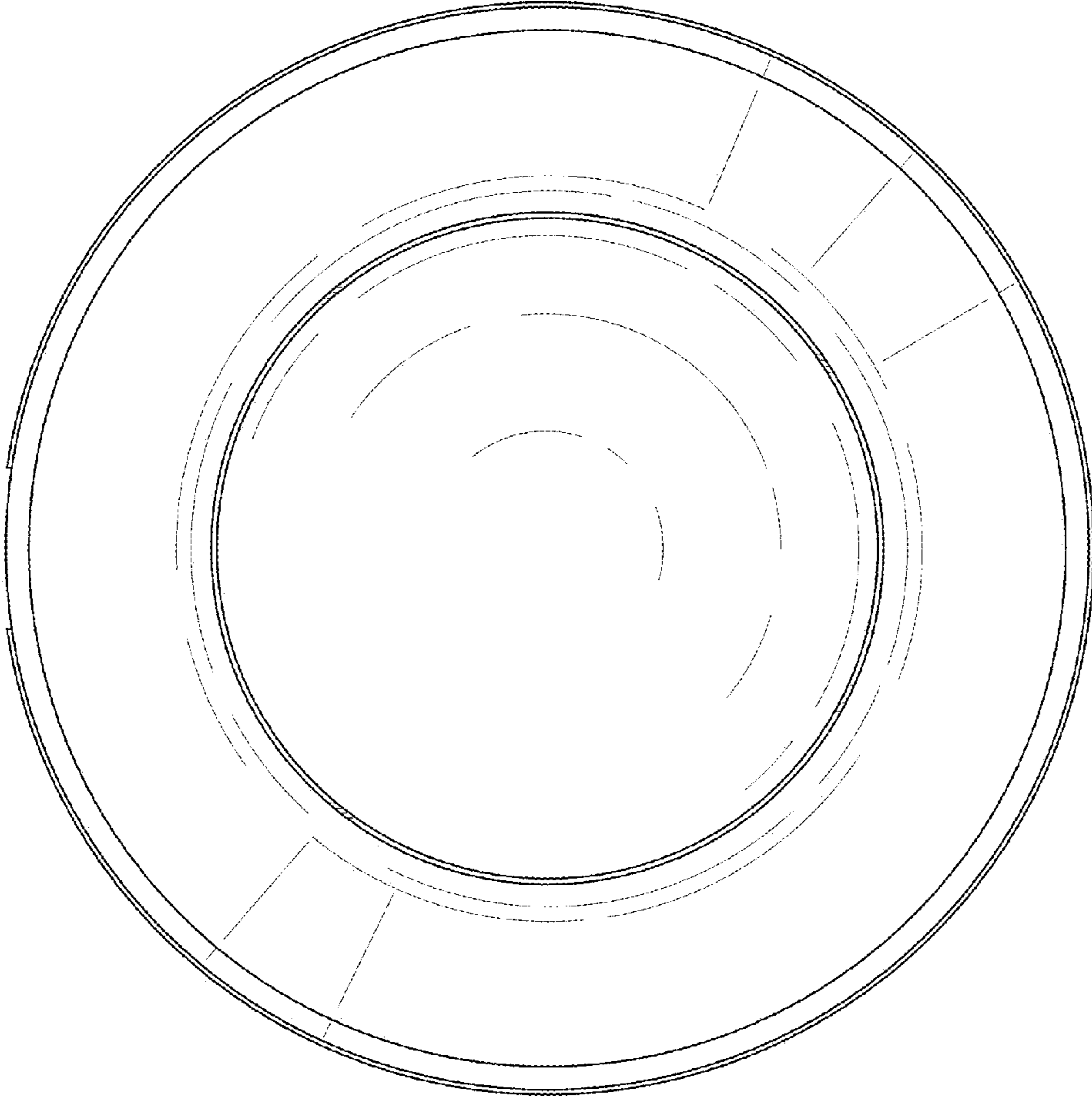


FIG. 7

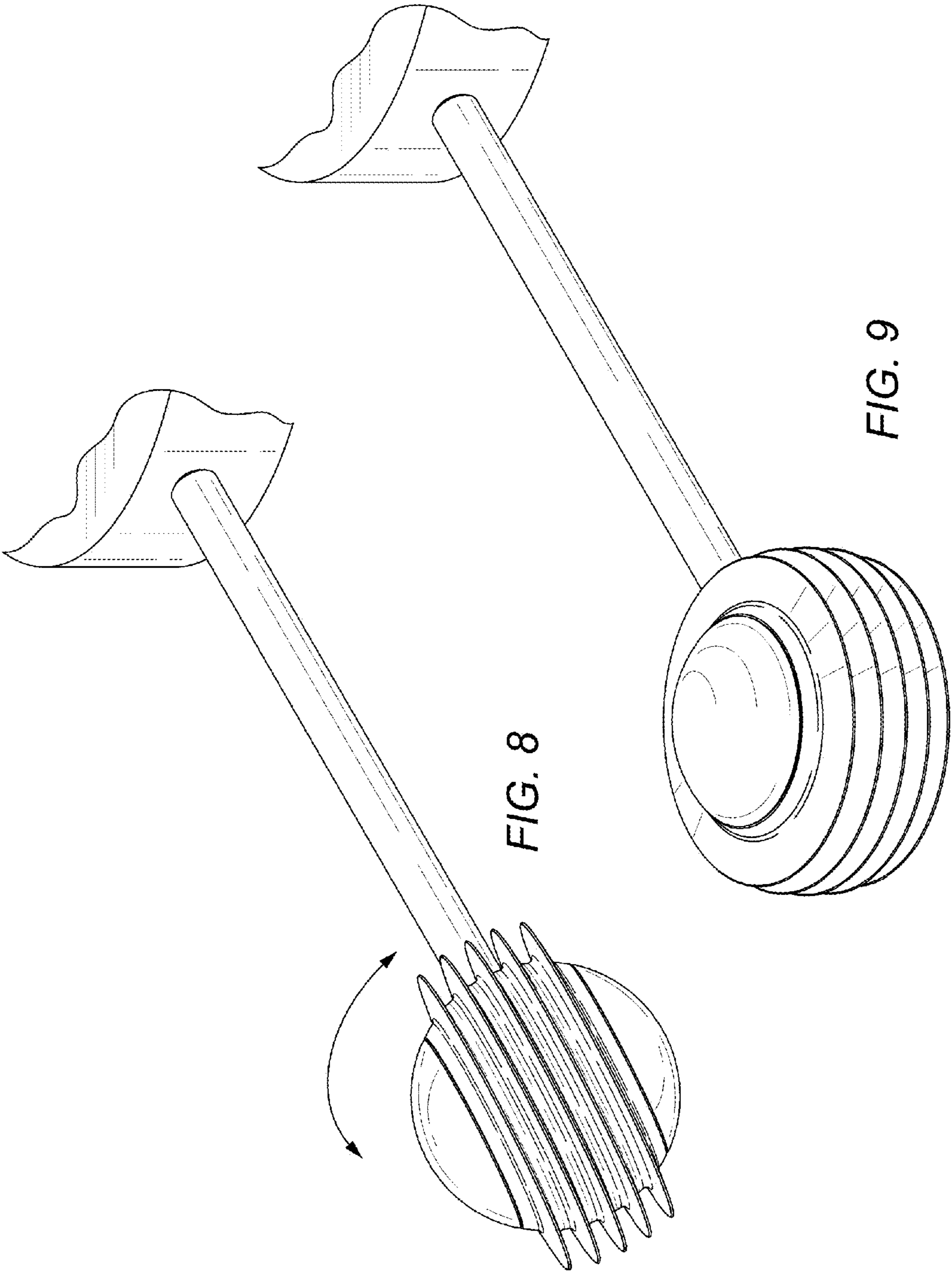


FIG. 8

FIG. 9

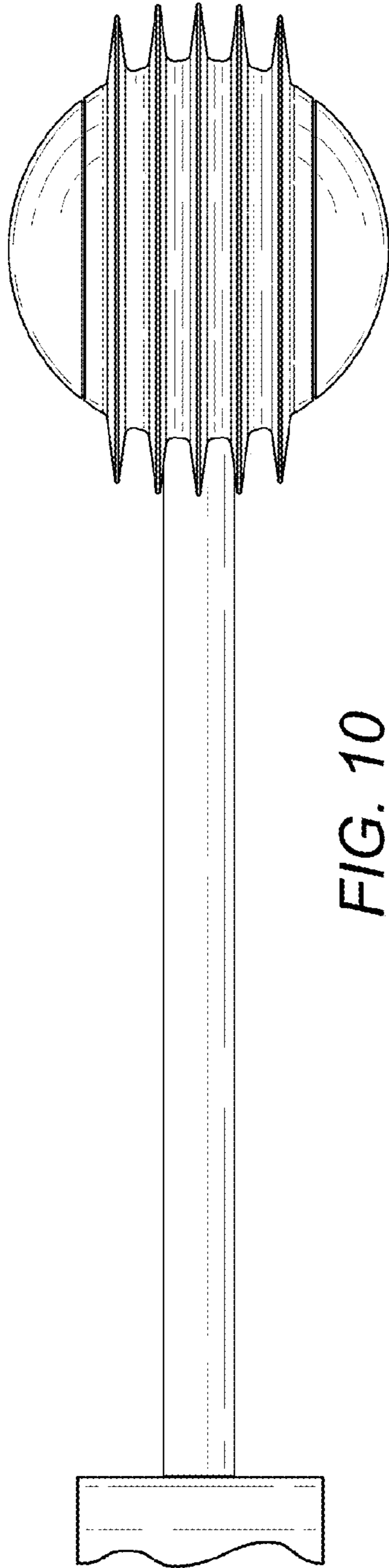


FIG. 10

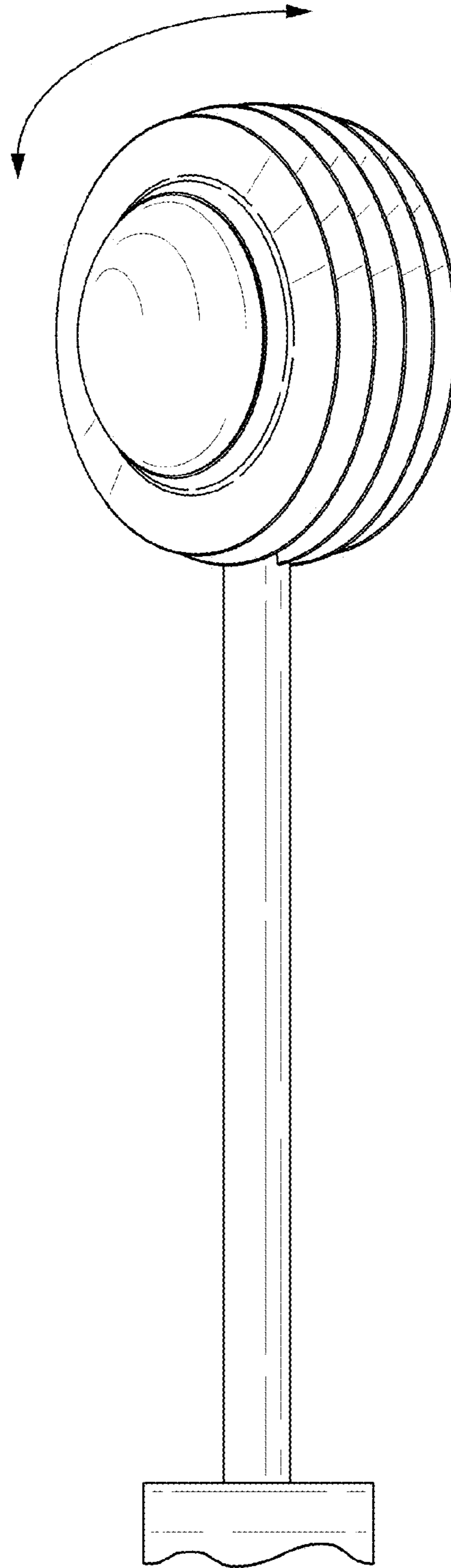


FIG. 11