



US00D719696S

(12) **United States Design Patent**
Zhang

(10) **Patent No.:** **US D719,696 S**

(45) **Date of Patent:** **** Dec. 16, 2014**

(54) **LED LIGHT**

(71) Applicant: **Shandong Kaich Optical & Electronic Technology Co., Ltd, Zibo (CN)**

(72) Inventor: **Yundong Zhang, Zibo (CN)**

(73) Assignee: **Shandong Kaich Optical & Electronic Technology Co., Ltd. (CN)**

(**) Term: **14 Years**

(21) Appl. No.: **29/472,515**

(22) Filed: **Nov. 13, 2013**

(30) **Foreign Application Priority Data**

May 15, 2013 (CN) 2013 3 0178983

(51) **LOC (10) Cl.** **26-05**

(52) **U.S. Cl.**
USPC **D26/71**

(58) **Field of Classification Search**

CPC F21S 8/085; F21S 8/086; F21S 8/088;
F21V 21/14

USPC D26/67-71, 92; 362/249.01, 249.02,
362/235-237, 157, 183, 431, 432

See application file for complete search history.

(56) **References Cited**

U.S. PATENT DOCUMENTS

D599,940 S * 9/2009 Zheng D26/71

D641,094 S *	7/2011	Chang	D26/71
8,025,419 B2 *	9/2011	Yang	362/153.1
D646,419 S *	10/2011	Chiang et al.	D26/71
8,057,078 B1 *	11/2011	Ko	362/431
D660,495 S *	5/2012	Walker et al.	D26/71
D678,581 S *	3/2013	Du et al.	D26/71
D683,878 S *	6/2013	Ruffalo et al.	D26/71
8,459,835 B2 *	6/2013	Liu et al.	362/249.02
D693,044 S *	11/2013	Lu	D26/71
8,622,574 B2 *	1/2014	Liu	362/241
8,632,209 B2 *	1/2014	Graeber et al.	362/231

* cited by examiner

Primary Examiner — Clare E Heflin

(74) *Attorney, Agent, or Firm* — Ostrolenk Faber LLP

(57) **CLAIM**

The ornamental design for an LED light, as shown and described.

DESCRIPTION

FIG. 1 is a front view of the LED light of the present invention.

FIG. 2 is a back view of the LED light.

FIG. 3 is a right side view of the LED light.

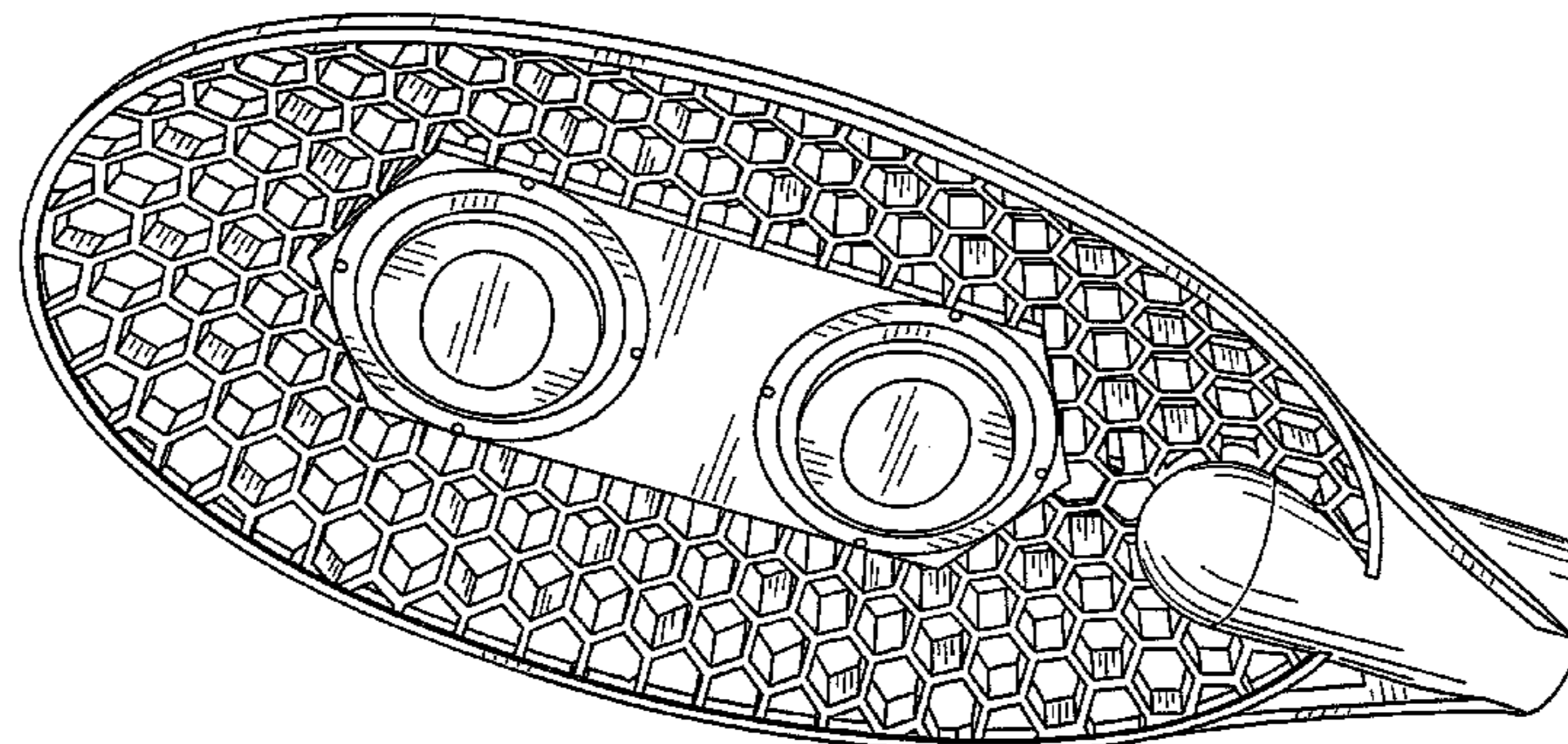
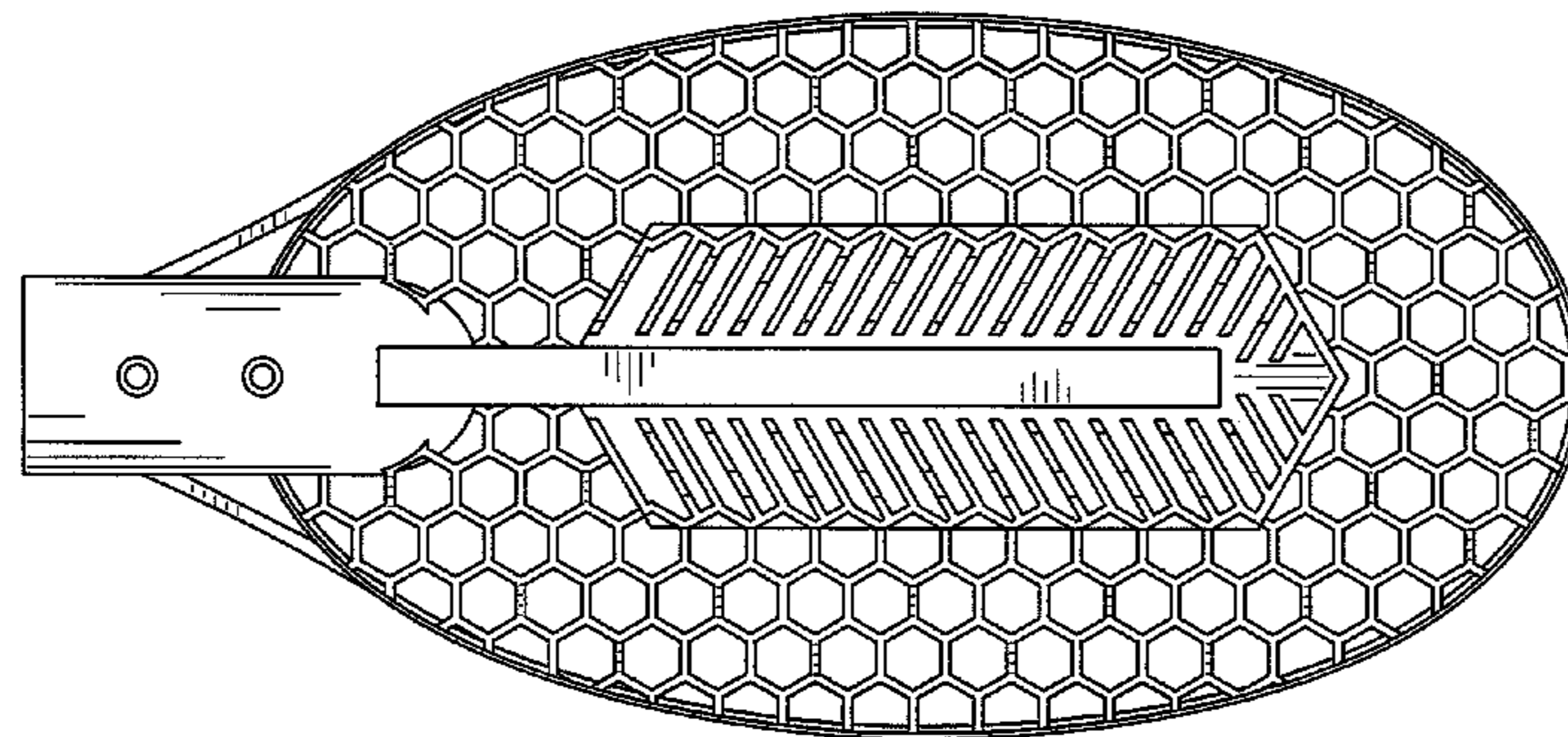
FIG. 4 is a left side view of the LED light.

FIG. 5 is a top view of the LED light.

FIG. 6 is a bottom view of the LED light; and,

FIG. 7 is a perspective view of the LED light.

1 Claim, 7 Drawing Sheets



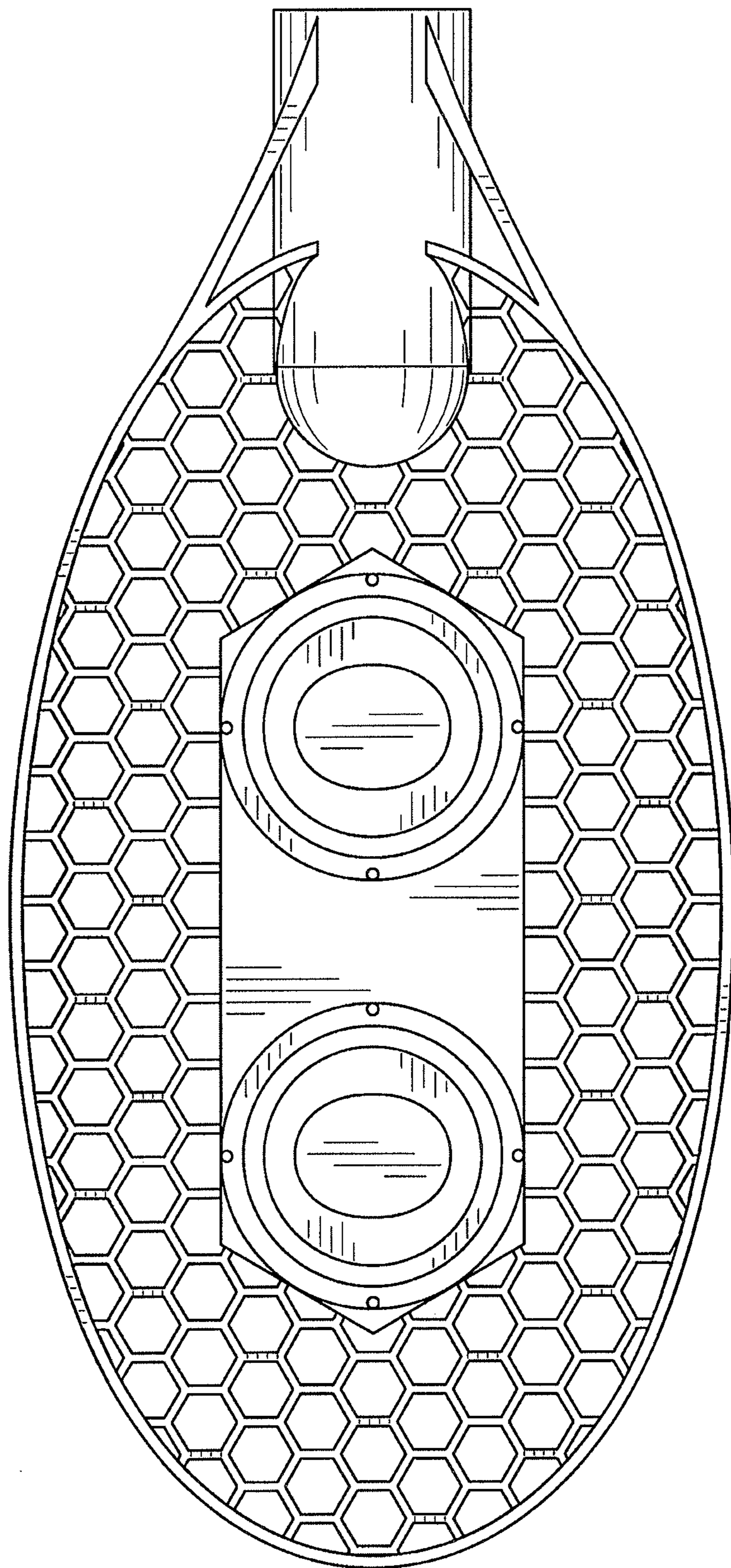


FIG. 1

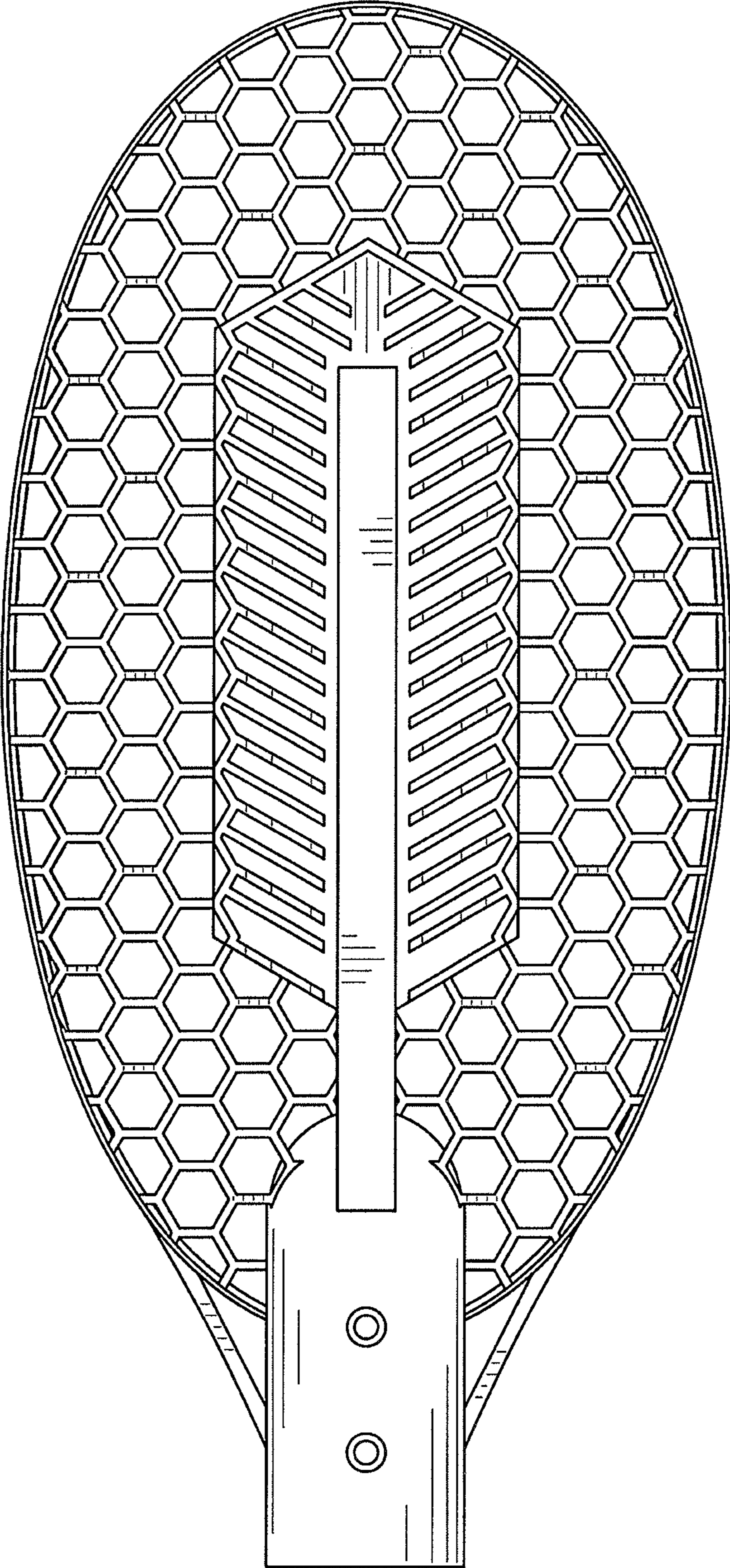


FIG. 2

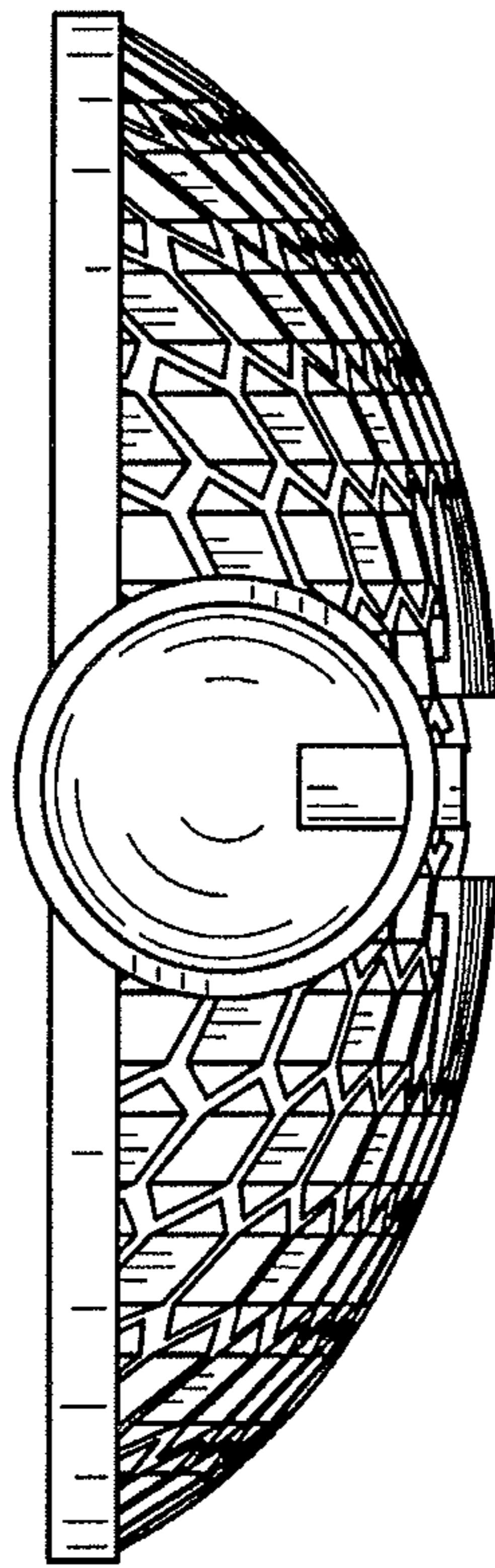


FIG. 3

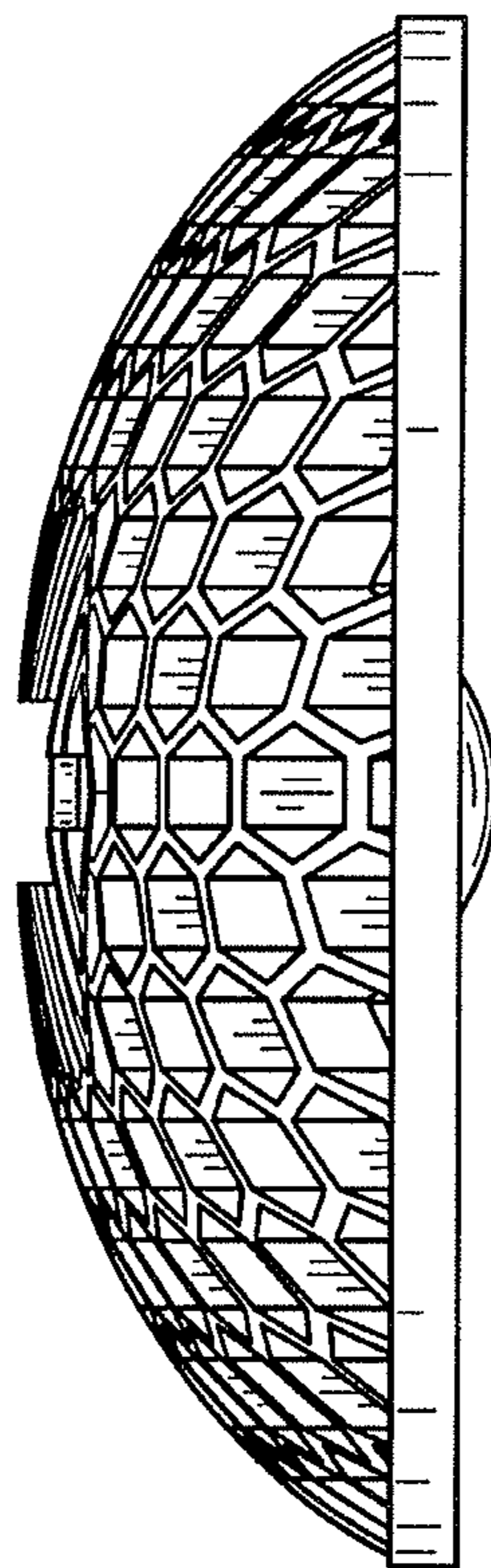


FIG. 4

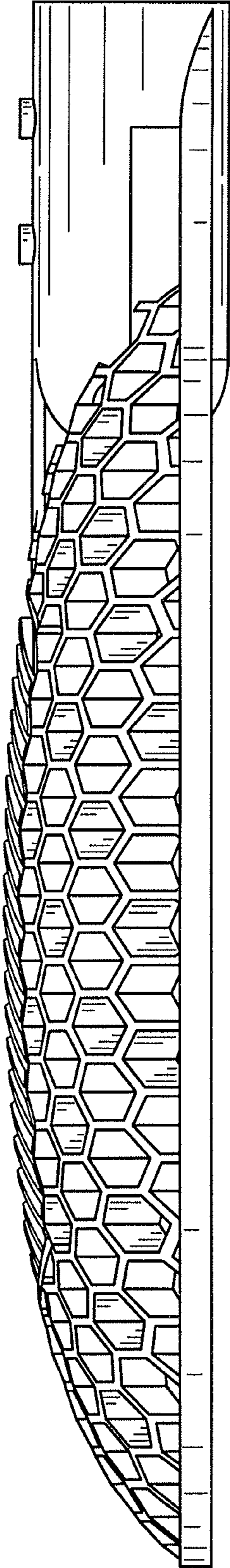


FIG. 5

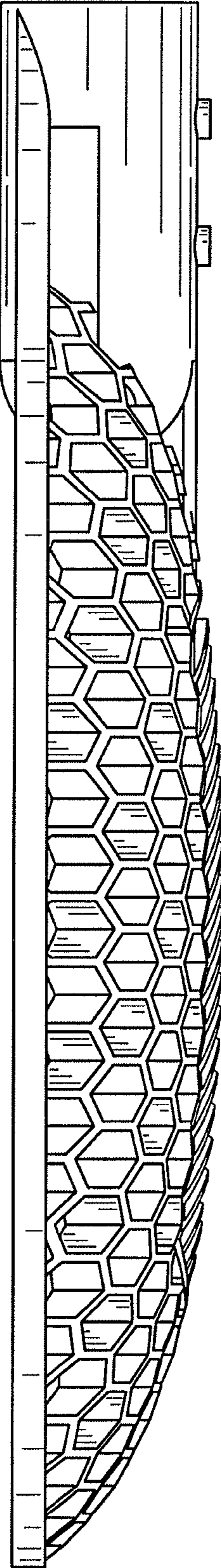


FIG. 6

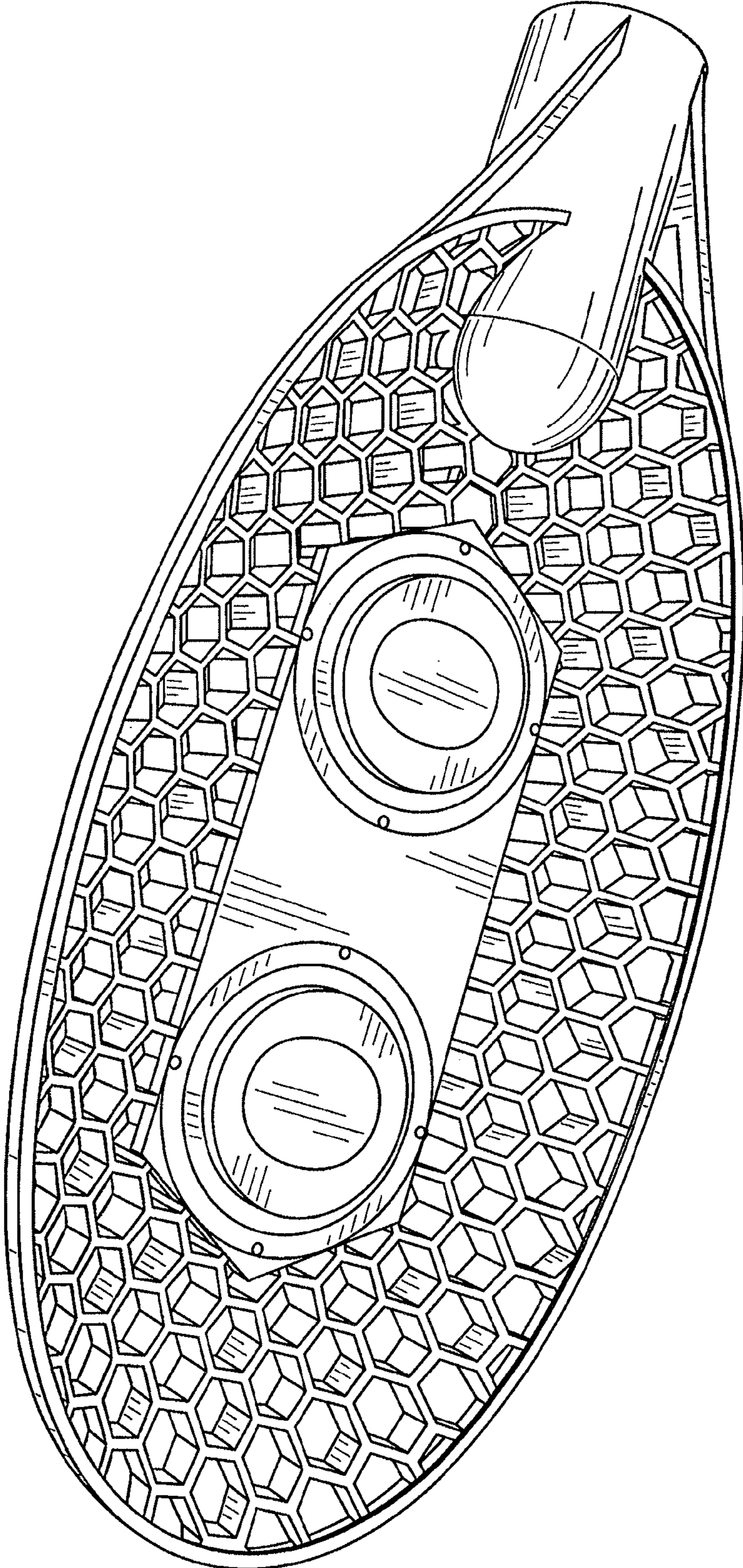


FIG. 7