



US00D719695S

(12) **United States Design Patent**  
**Szoke**

(10) **Patent No.:** **US D719,695 S**

(45) **Date of Patent:** **\*\* Dec. 16, 2014**

(54) **COMET TRACK LIGHT**

(71) Applicant: **Steve Szoke**, West Hempstead, NY (US)

(72) Inventor: **Steve Szoke**, West Hempstead, NY (US)

(\*\*) Term: **14 Years**

(21) Appl. No.: **29/442,816**

(22) Filed: **May 22, 2013**

(51) **LOC (10) Cl.** ..... **26-05**

(52) **U.S. Cl.**  
USPC ..... **D26/63**

(58) **Field of Classification Search**  
USPC ..... D26/60-66, 24, 72, 81, 83-85, 87-92,  
D26/118; 362/647, 648, 371-373, 264, 145,  
362/147, 148, 271, 289, 31.13, 319, 404,  
362/408, 430, 432, 213, 215, 269, 270,  
362/280-285, 287, 288, 419, 427

See application file for complete search history.

(56) **References Cited**

U.S. PATENT DOCUMENTS

D330,944 S	*	11/1992	Wereley .....	D26/63
D402,384 S	*	12/1998	Chen .....	D26/63
D563,579 S	*	3/2008	Grimberg .....	D26/61
D566,873 S	*	4/2008	Grundl et al. ....	D26/63
D647,657 S	*	10/2011	Janssen .....	D26/63
D670,846 S	*	11/2012	Ramirez .....	D26/63

\* cited by examiner

*Primary Examiner* — Brian N Vinson

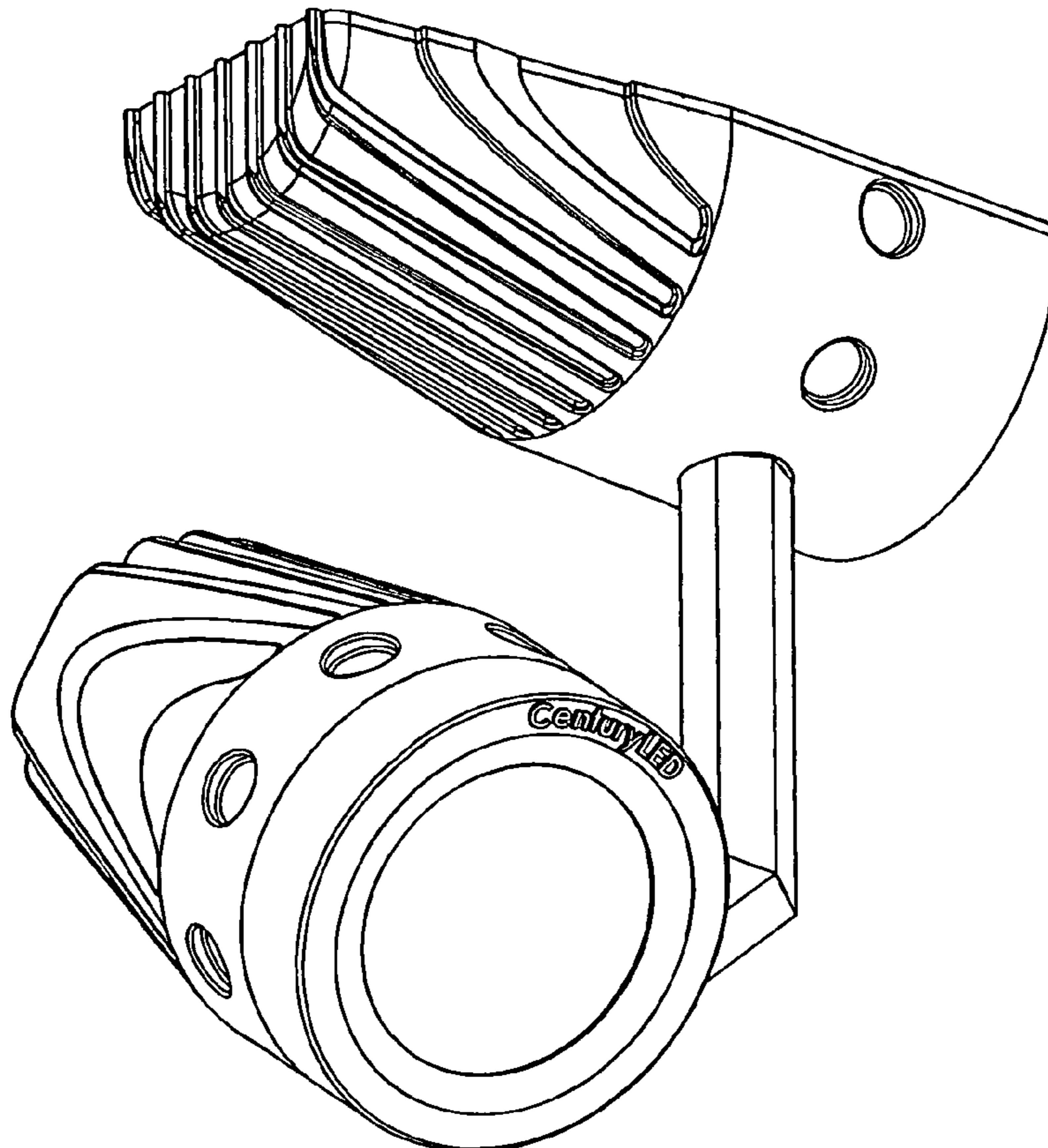
(57) **CLAIM**

The ornamental design for the comet track light, as shown and described.

**DESCRIPTION**

FIG. 1 is a perspective view of the comet track light showing my new design;  
FIG. 2 is a front elevational view thereof;  
FIG. 3 is a rear elevational view thereof;  
FIG. 4 is a left side elevational view thereof;  
FIG. 5 is a right side elevational view thereof;  
FIG. 6 is a bottom view thereof; and,  
FIG. 7 is a top plan view thereof.

**1 Claim, 2 Drawing Sheets**



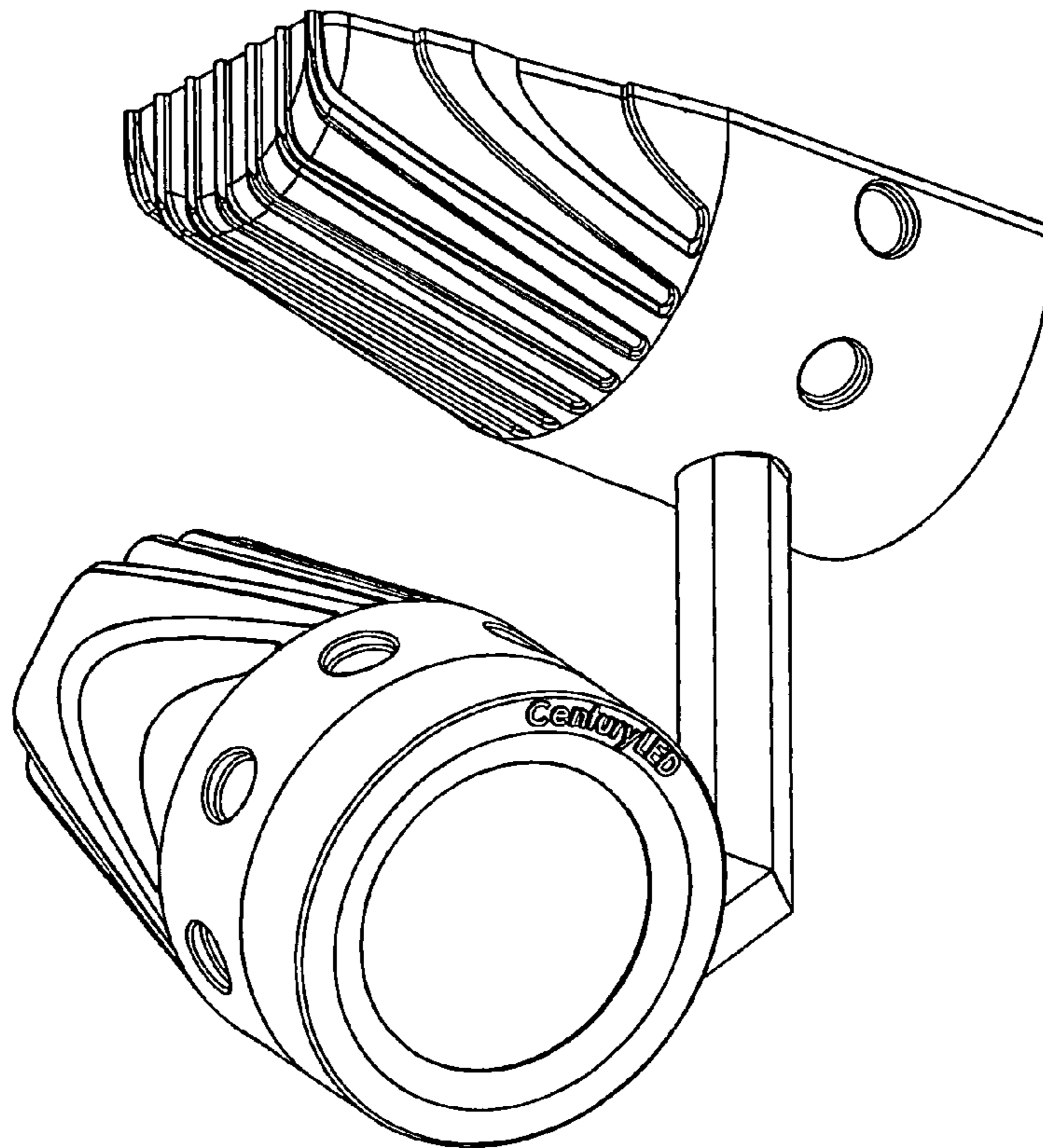


FIG. 1

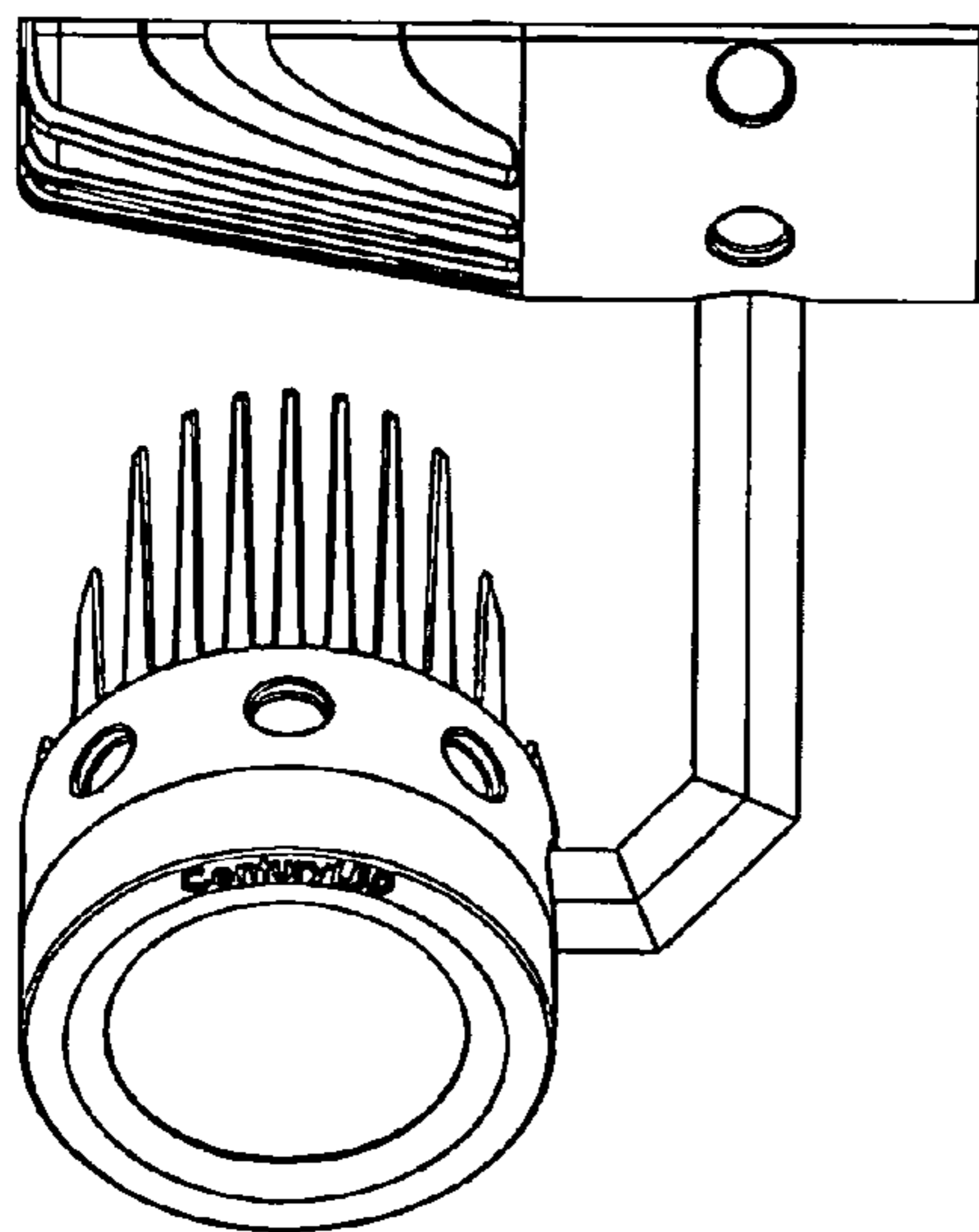


FIG. 2

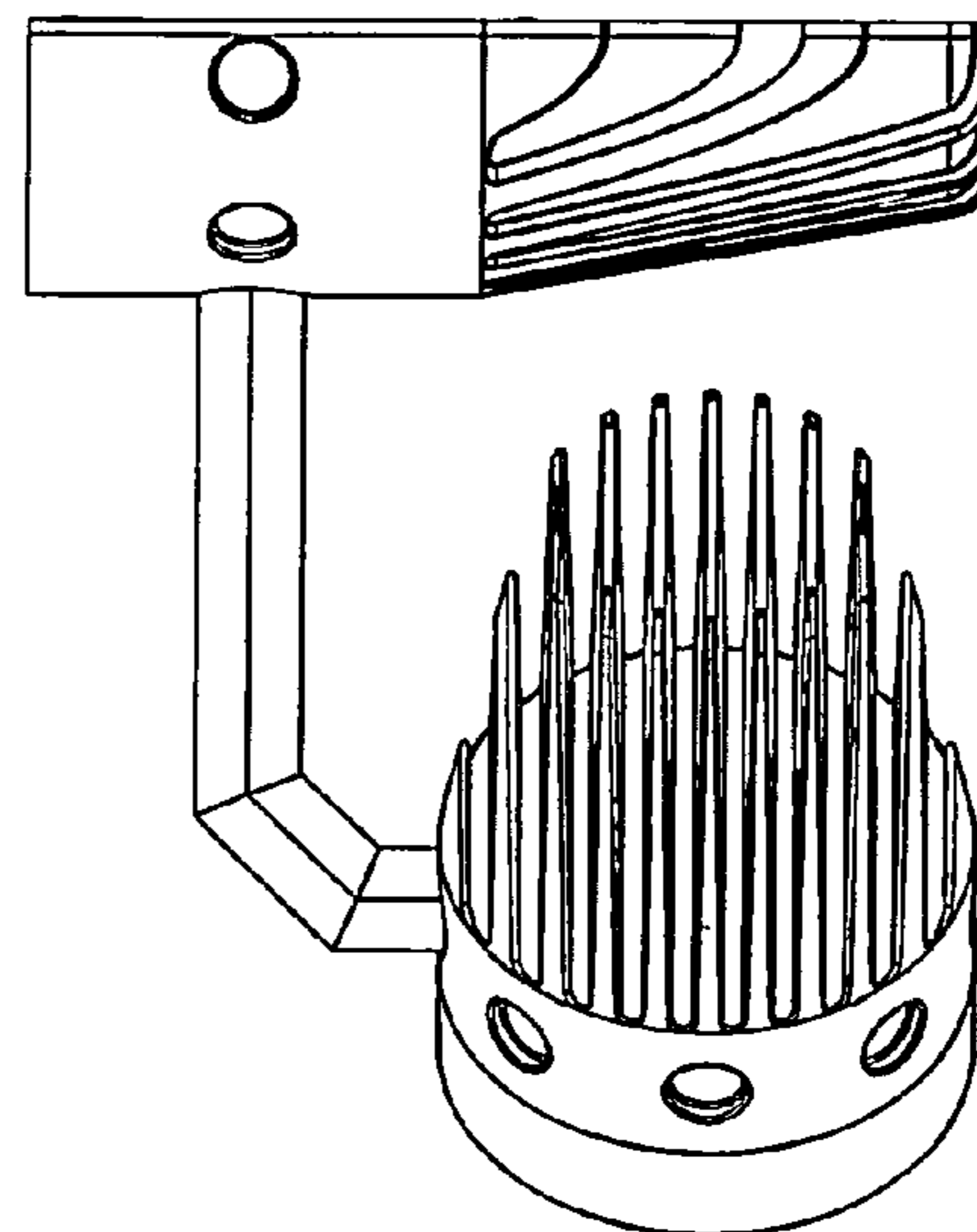


FIG. 3

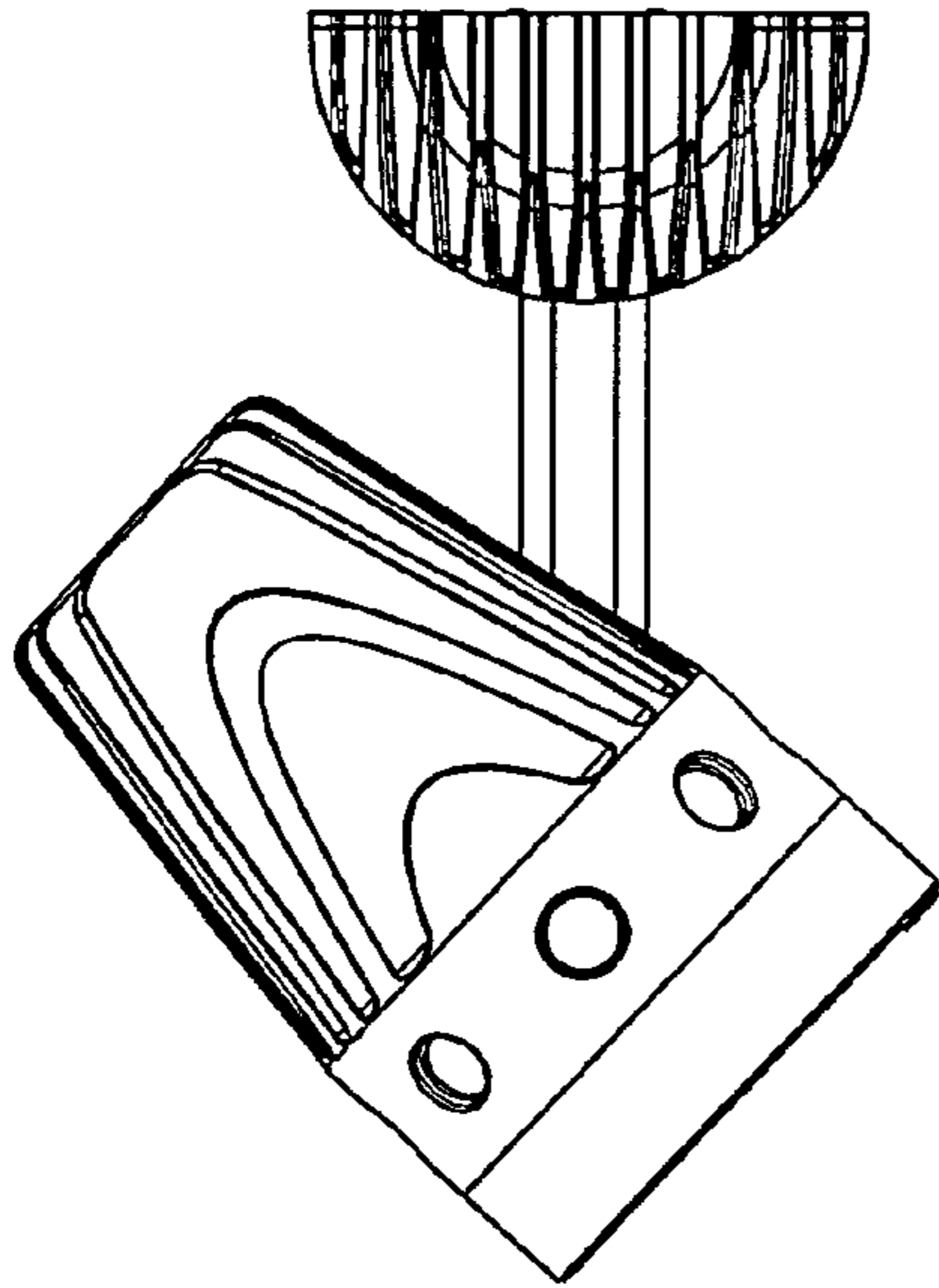


FIG. 4

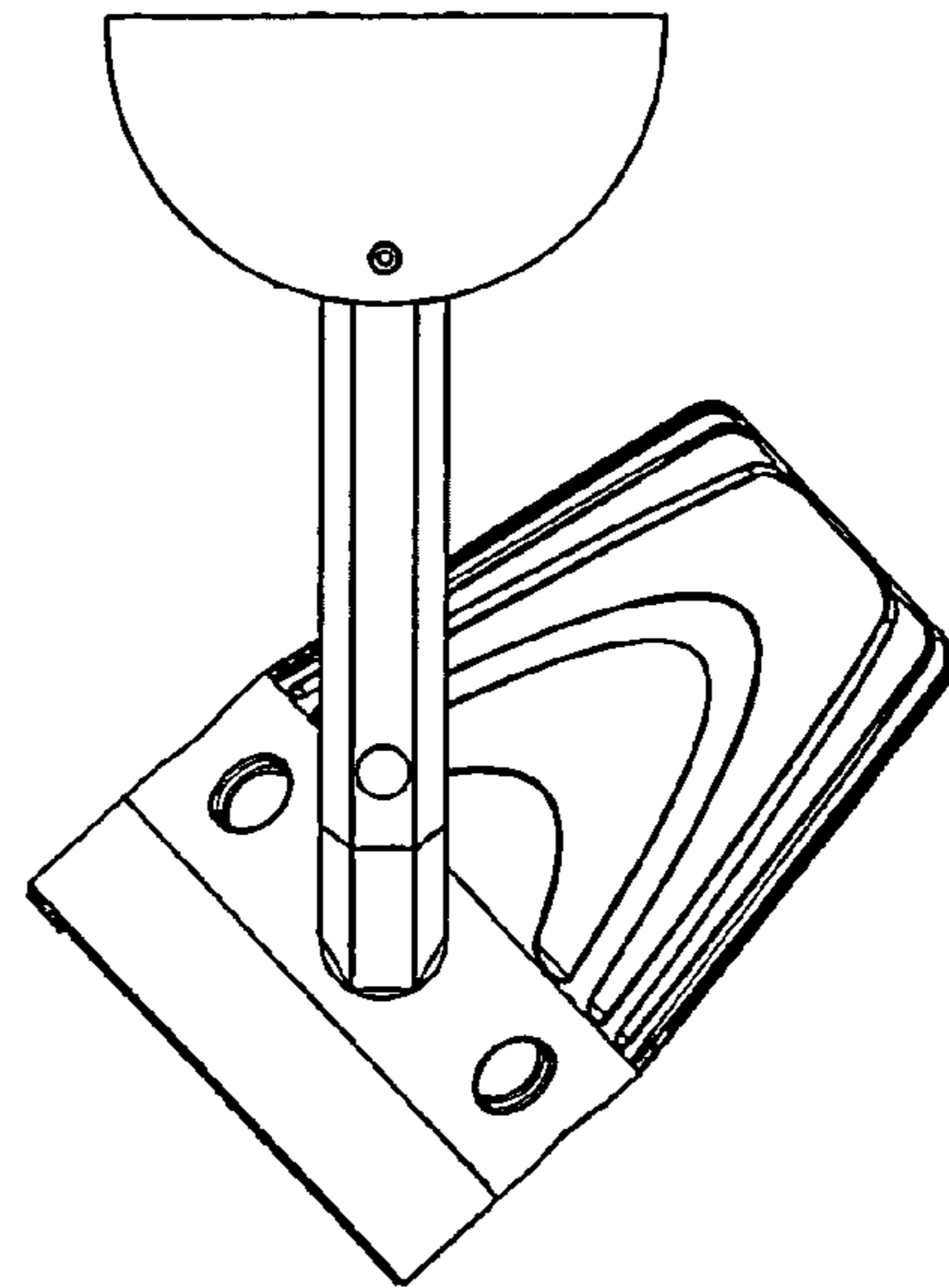


FIG. 5

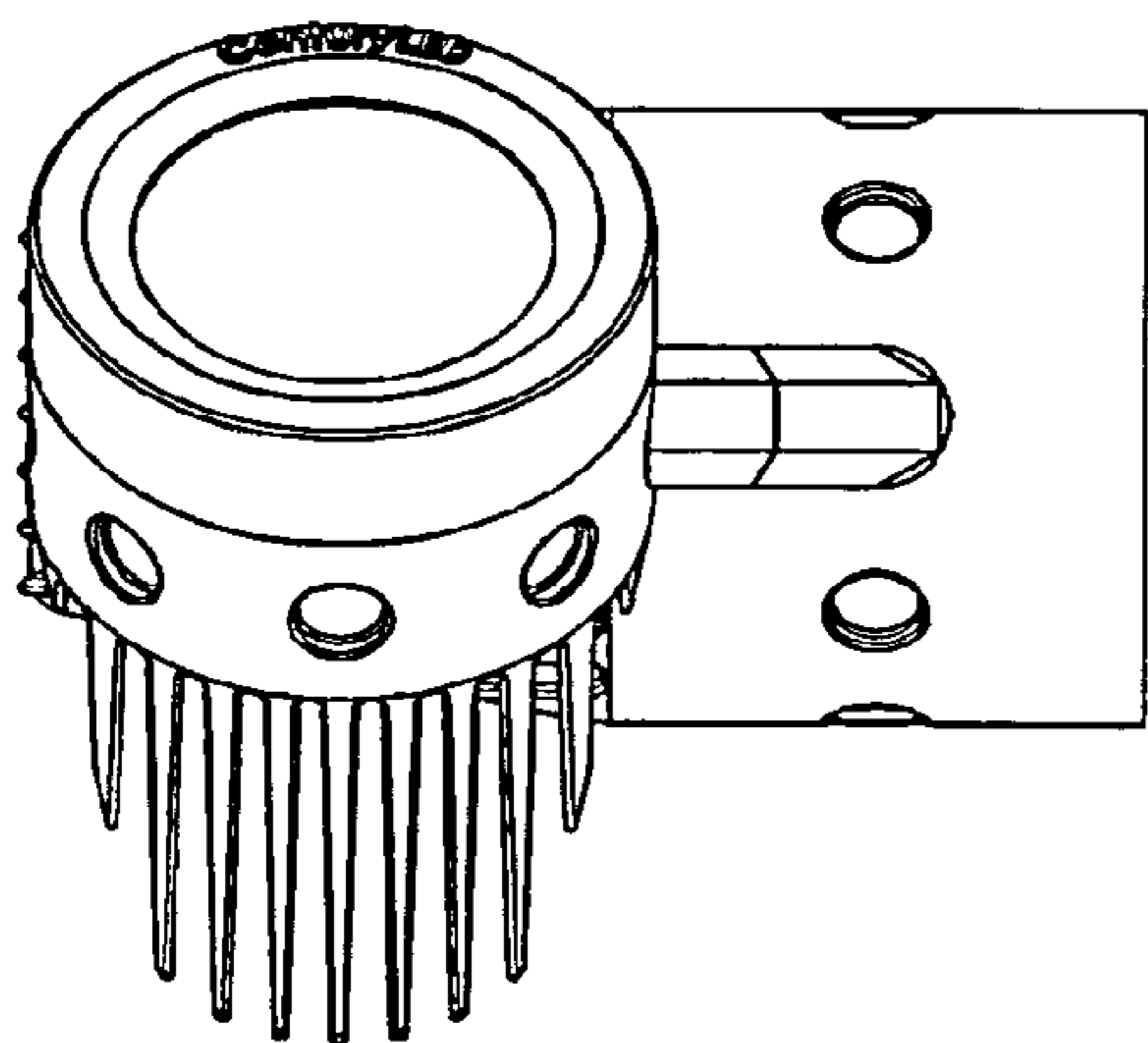


FIG. 6

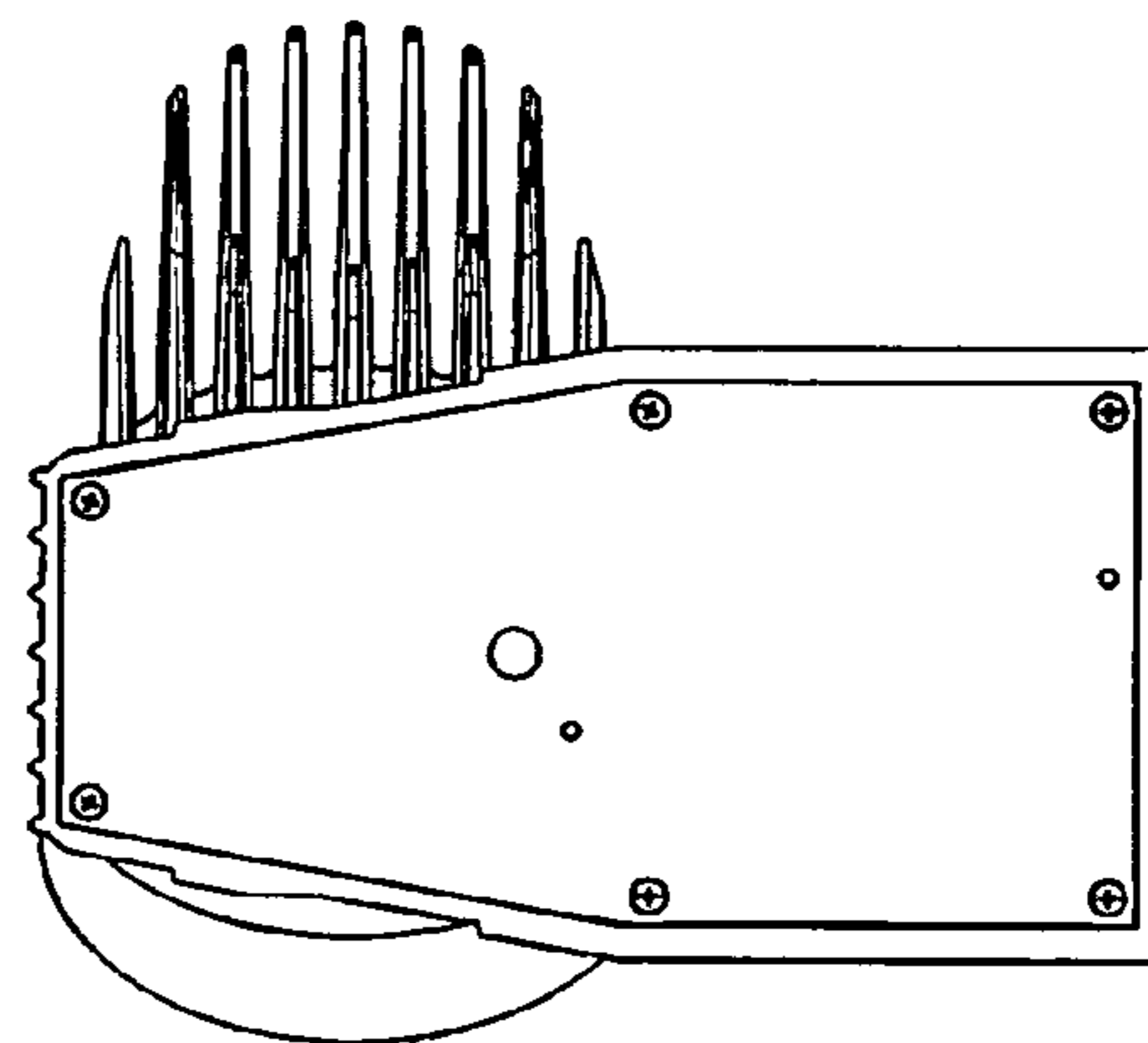


FIG. 7