



US00D719693S

(12) **United States Design Patent**
Yamaguchi

(10) **Patent No.:** **US D719,693 S**

(45) **Date of Patent:** **** Dec. 16, 2014**

(54) **REAR COMBINATION LAMP FOR AN
AUTOMOBILE**

(71) Applicant: **Honda Motor Co., Ltd.**, Tokyo (JP)

(72) Inventor: **Junichi Yamaguchi**, Wako (JP)

(73) Assignee: **Honda Motor Co., Ltd.**, Tokyo (JP)

(**) Term: **14 Years**

(21) Appl. No.: **29/465,846**

(22) Filed: **Sep. 1, 2013**

(30) **Foreign Application Priority Data**

Mar. 8, 2013 (JP) 2013-005227

(51) **LOC (10) Cl.** **26-06**

(52) **U.S. Cl.**
USPC **D26/28**

(58) **Field of Classification Search**
USPC D26/28-36; 362/459-468, 475-478,
362/485-487

See application file for complete search history.

(56) **References Cited**

U.S. PATENT DOCUMENTS

D552,769 S *	10/2007	Leclercq	D26/28
D553,269 S *	10/2007	Pfeiffer et al.	D26/28
D560,292 S *	1/2008	Sato	D26/28
D561,357 S *	2/2008	Leclercq et al.	D26/28
D565,211 S *	3/2008	Haller et al.	D26/28
D574,524 S *	8/2008	Tomatsu	D26/28

* cited by examiner

Primary Examiner — Marcus Jackson

(74) *Attorney, Agent, or Firm* — Plumsea Law Group, LLC

(57) **CLAIM**

The ornamental design for a rear combination lamp for an automobile, as shown and described.

DESCRIPTION

FIG. 1 is a perspective view of a rear combination lamp for an automobile.

FIG. 2 is a front elevation view thereof.

FIG. 3 is a left side elevation view thereof; and,

FIG. 4 is a top plan view thereof.

The portions of the rear combination lamp shown in broken lines are for the purpose of showing environmental structure only and form no part of the claimed design.

1 Claim, 4 Drawing Sheets

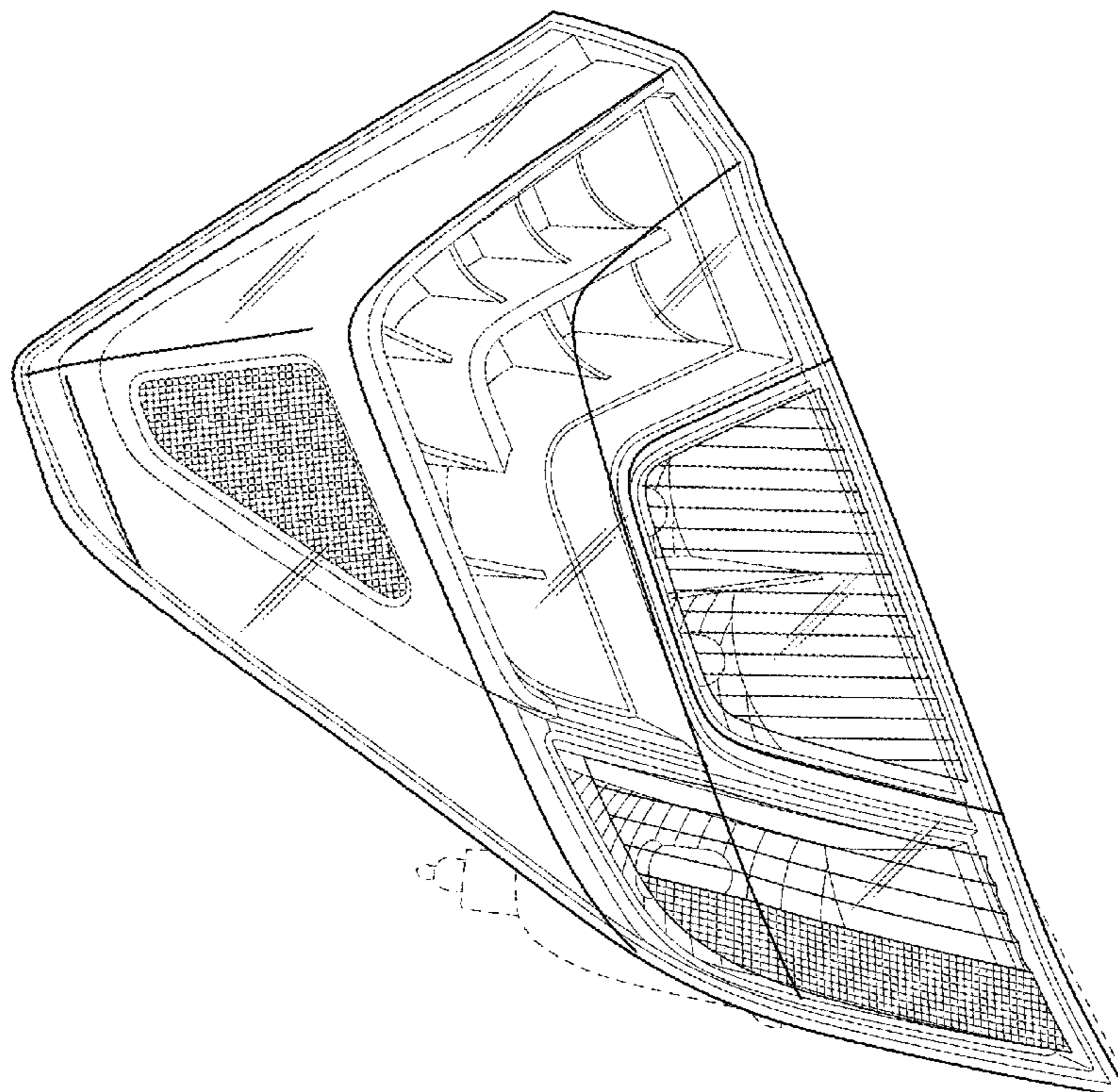


FIG. 1

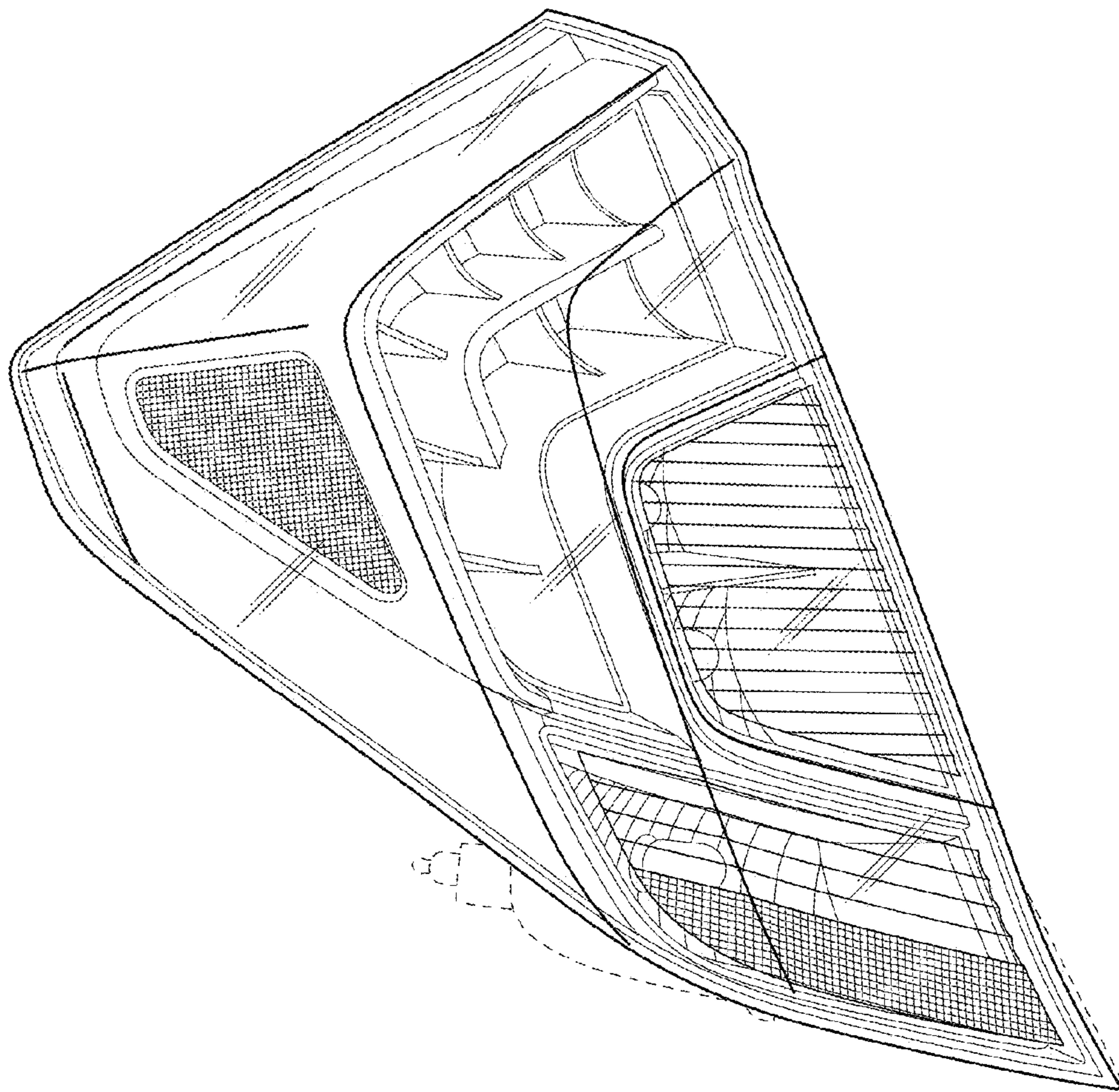


FIG. 2

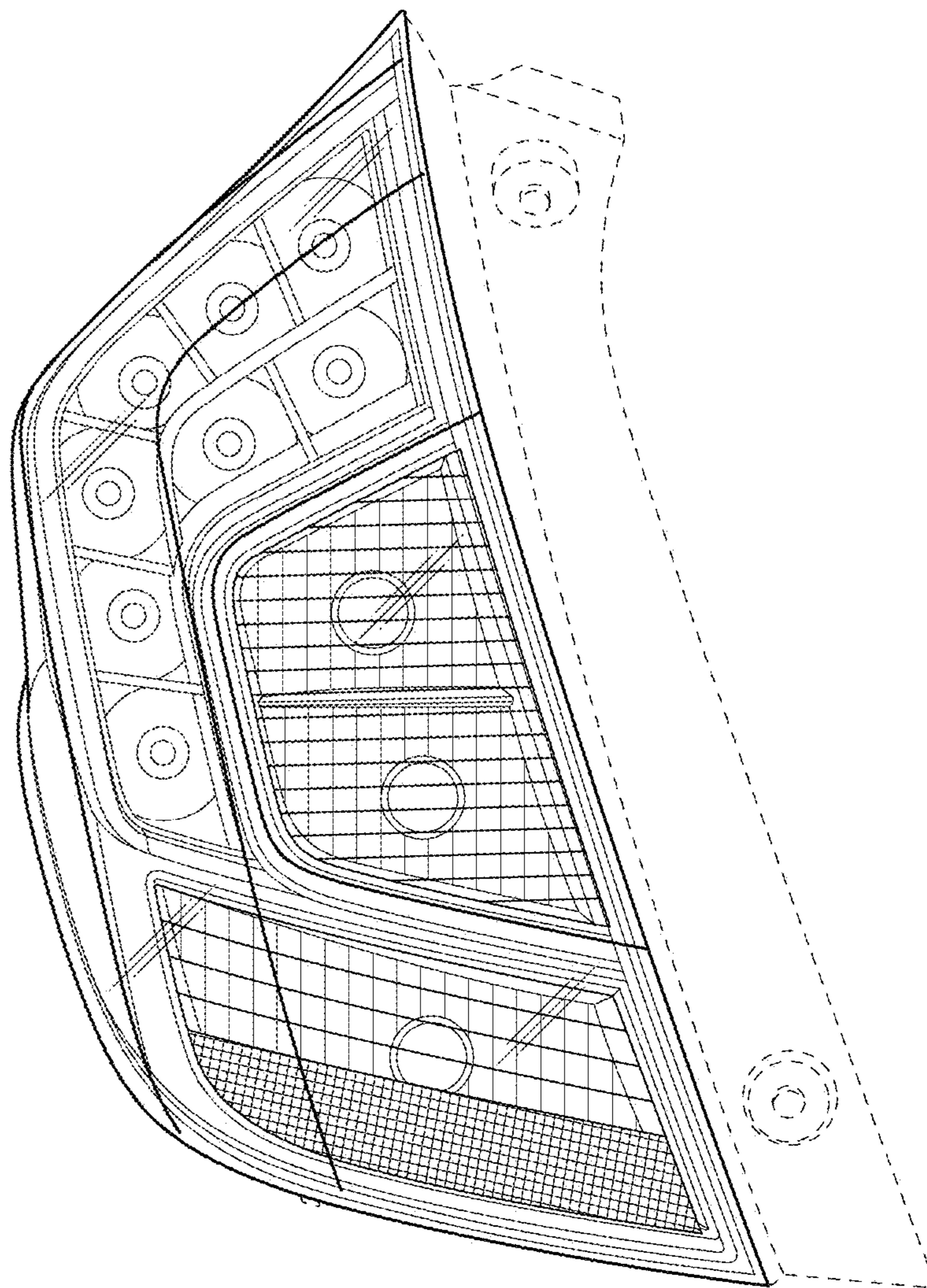


FIG. 3

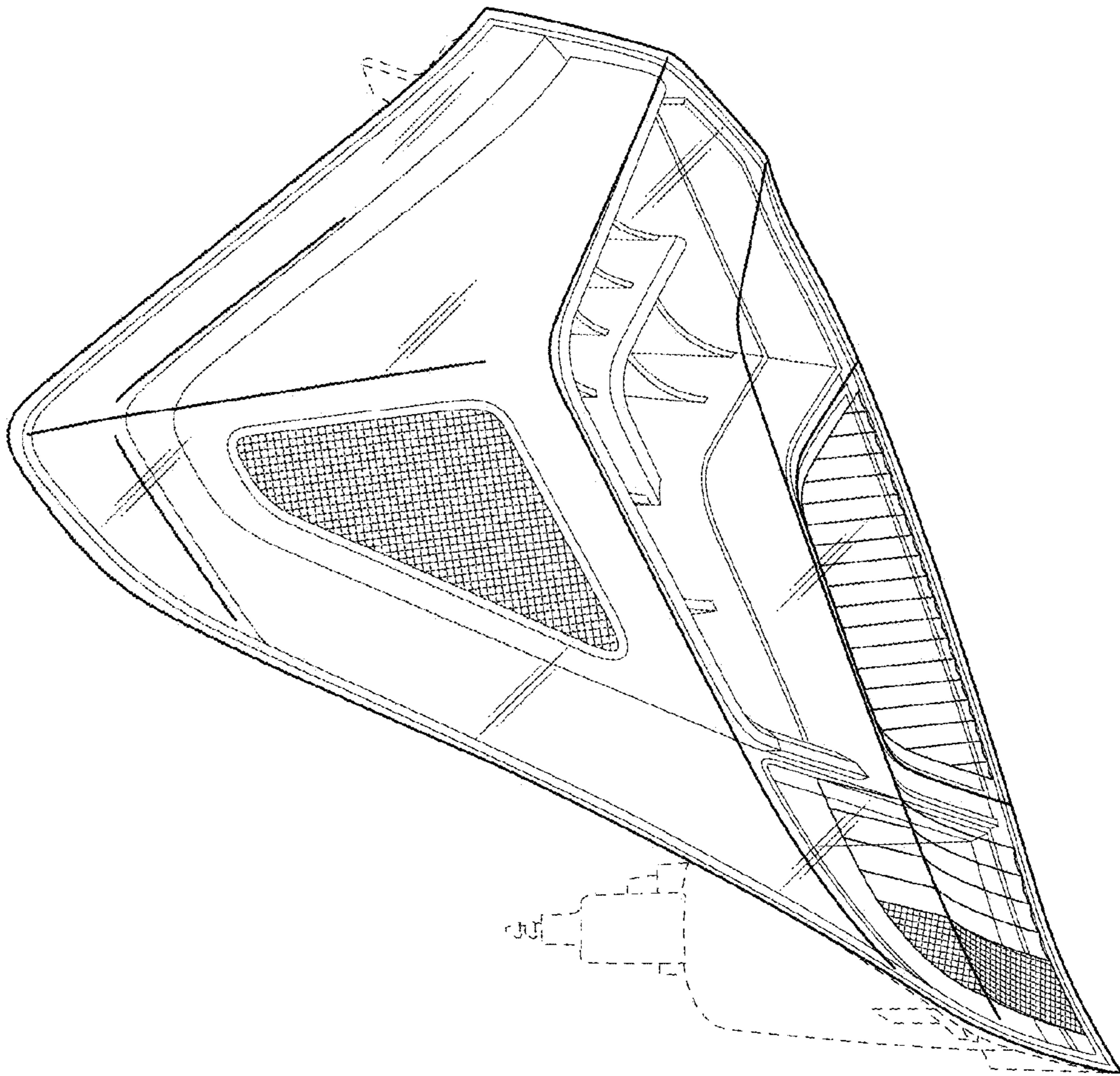


FIG. 4

