



US00D719691S

(12) **United States Design Patent**
Nordmann

(10) **Patent No.:** **US D719,691 S**

(45) **Date of Patent:** **** Dec. 16, 2014**

(54) **TAILLIGHT FOR A VEHICLE**

D539,450 S * 3/2007 Pfeiffer D26/28
D540,480 S * 4/2007 Pfeiffer D26/28
D552,769 S * 10/2007 Leclercq D26/28

(71) Applicant: **Bayerische Motoren Werke**
Aktiengesellschaft, Munich (DE)

FOREIGN PATENT DOCUMENTS

(72) Inventor: **Christoph Nordmann, Munich (DE)**

WO DM/064527 12/2003
WO DM/070264 12/2008
WO DM/079908 7/2013

(73) Assignee: **Bayerische Motoren Werke**
Aktiengesellschaft, Munich (DE)

* cited by examiner

(**) Term: **14 Years**

Primary Examiner — Marcus Jackson

(21) Appl. No.: **29/462,853**

(74) *Attorney, Agent, or Firm* — Crowell & Moring LLP

(22) Filed: **Aug. 9, 2013**

(57) **CLAIM**

The ornamental design for a taillight for a vehicle, as shown and described.

(30) **Foreign Application Priority Data**

DESCRIPTION

Feb. 11, 2013 (DE) 40 2013 100 122

(51) **LOC (10) Cl.** **26-06**

This application contains subject matter related to the following co-pending U.S. design patent application:

(52) **U.S. Cl.**

USPC **D26/28**

Application Ser. No. 29/462,848, filed herewith and entitled "Vehicle, Toy, and/or Replicas Thereof".

(58) **Field of Classification Search**

USPC D26/28-36; 362/459-468, 475-478,
362/485-487

FIG. 1 is a front view of a taillight for a vehicle according to the design;

See application file for complete search history.

FIG. 2 is a left, front perspective view thereof;

FIG. 3 is a right, front perspective view thereof;

FIG. 4 is a left side view thereof;

FIG. 5 is a right side view thereof;

FIG. 6 is a top view thereof;

FIG. 7 is a bottom view thereof; and,

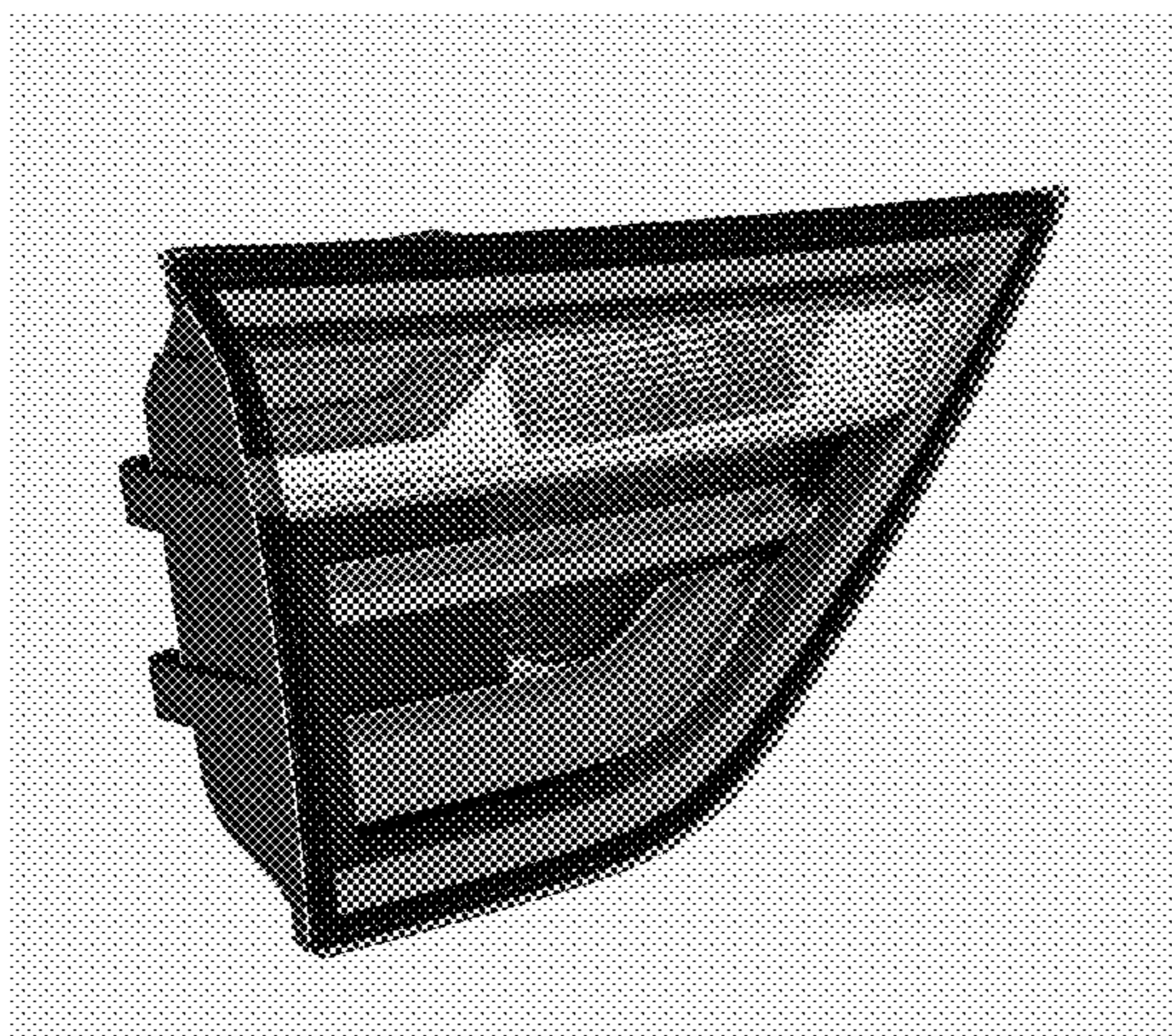
FIG. 8 is a rear view thereof.

(56) **References Cited**

U.S. PATENT DOCUMENTS

D523,976 S * 6/2006 Pfeiffer et al. D26/28
D528,680 S * 9/2006 Oda D26/28
D538,452 S * 3/2007 Pfeiffer D26/28

1 Claim, 8 Drawing Sheets



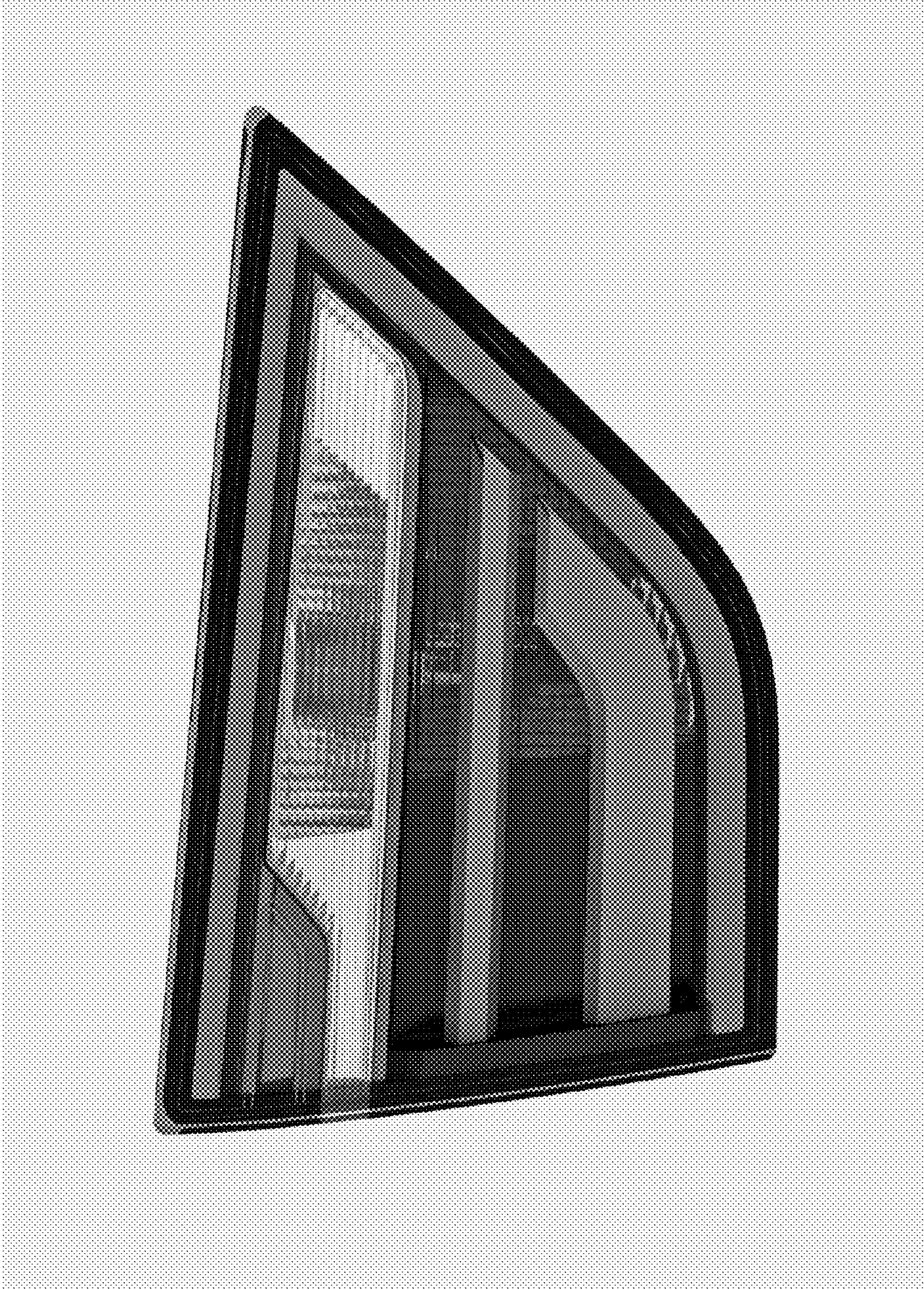


Fig. 1



Fig. 2



Fig. 3



Fig. 4

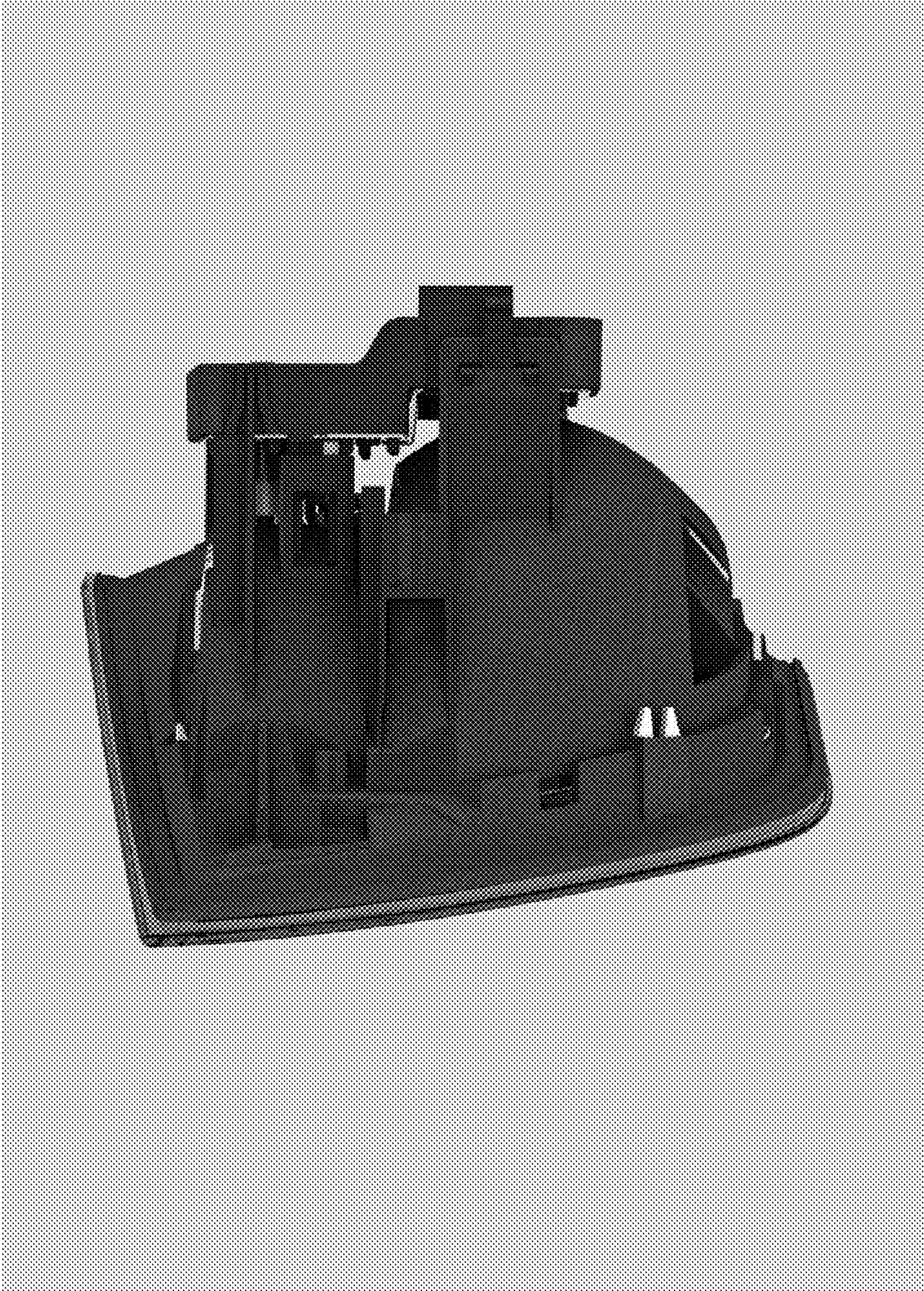


Fig. 5

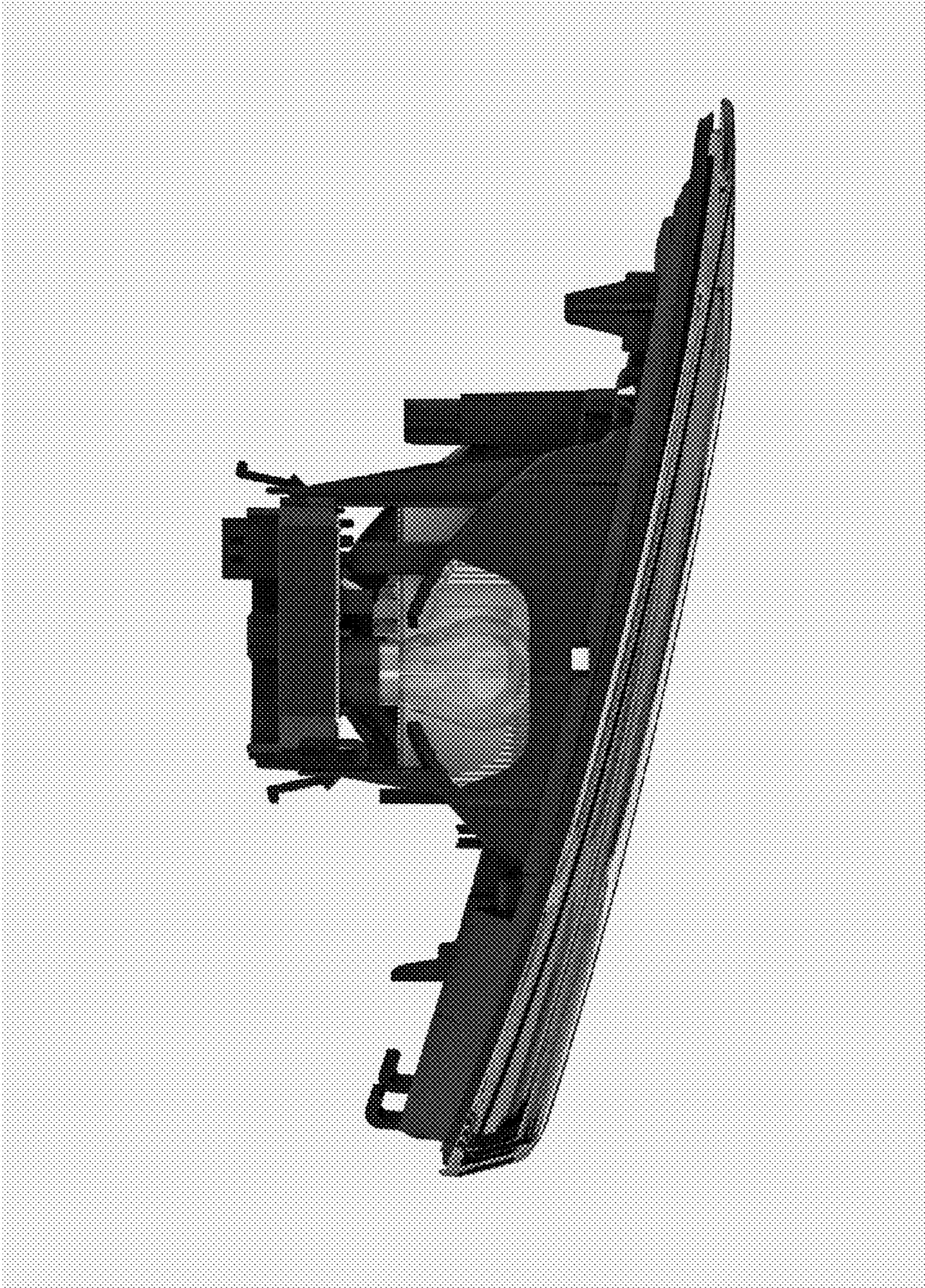


Fig. 6

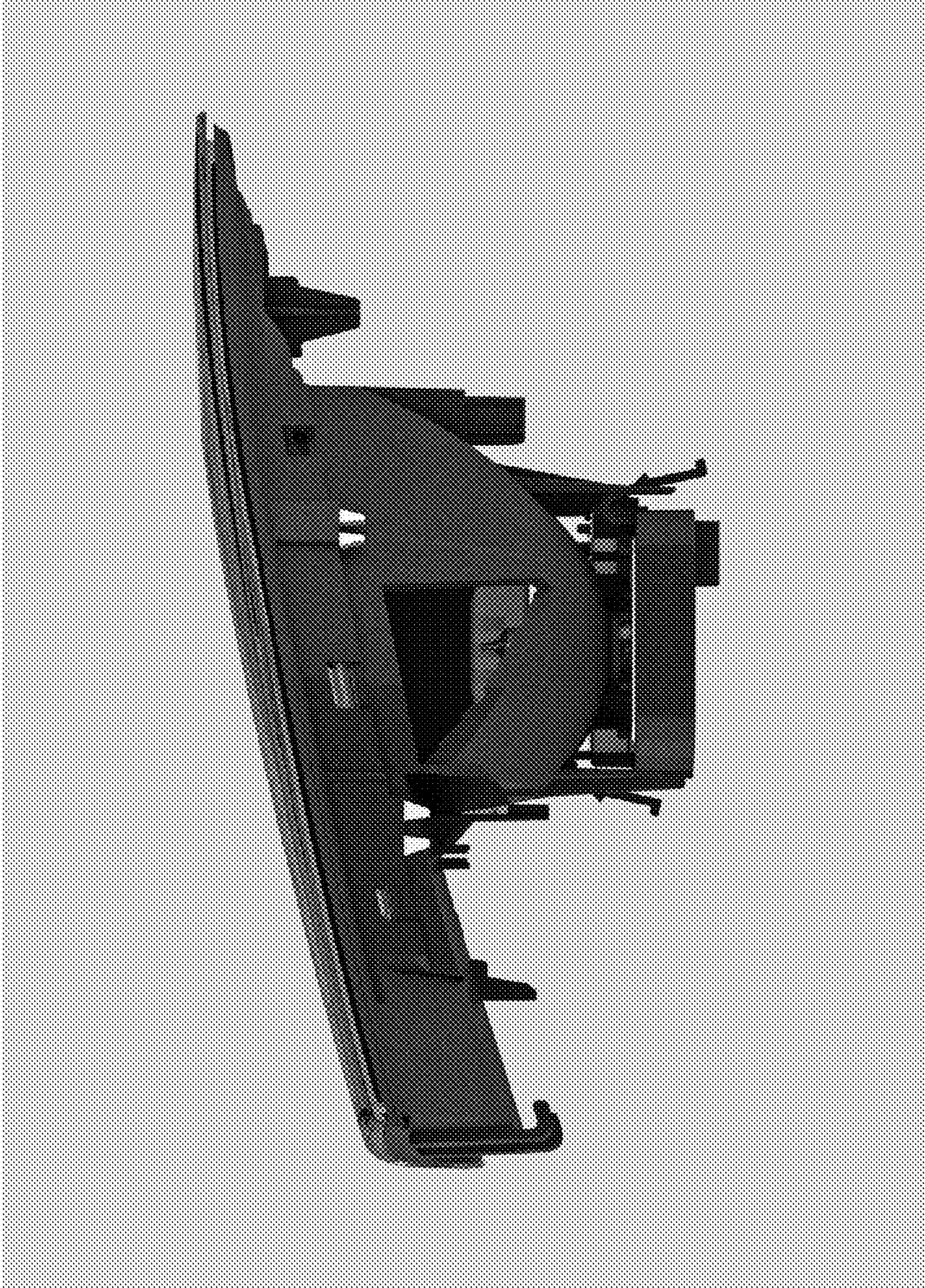


Fig. 7

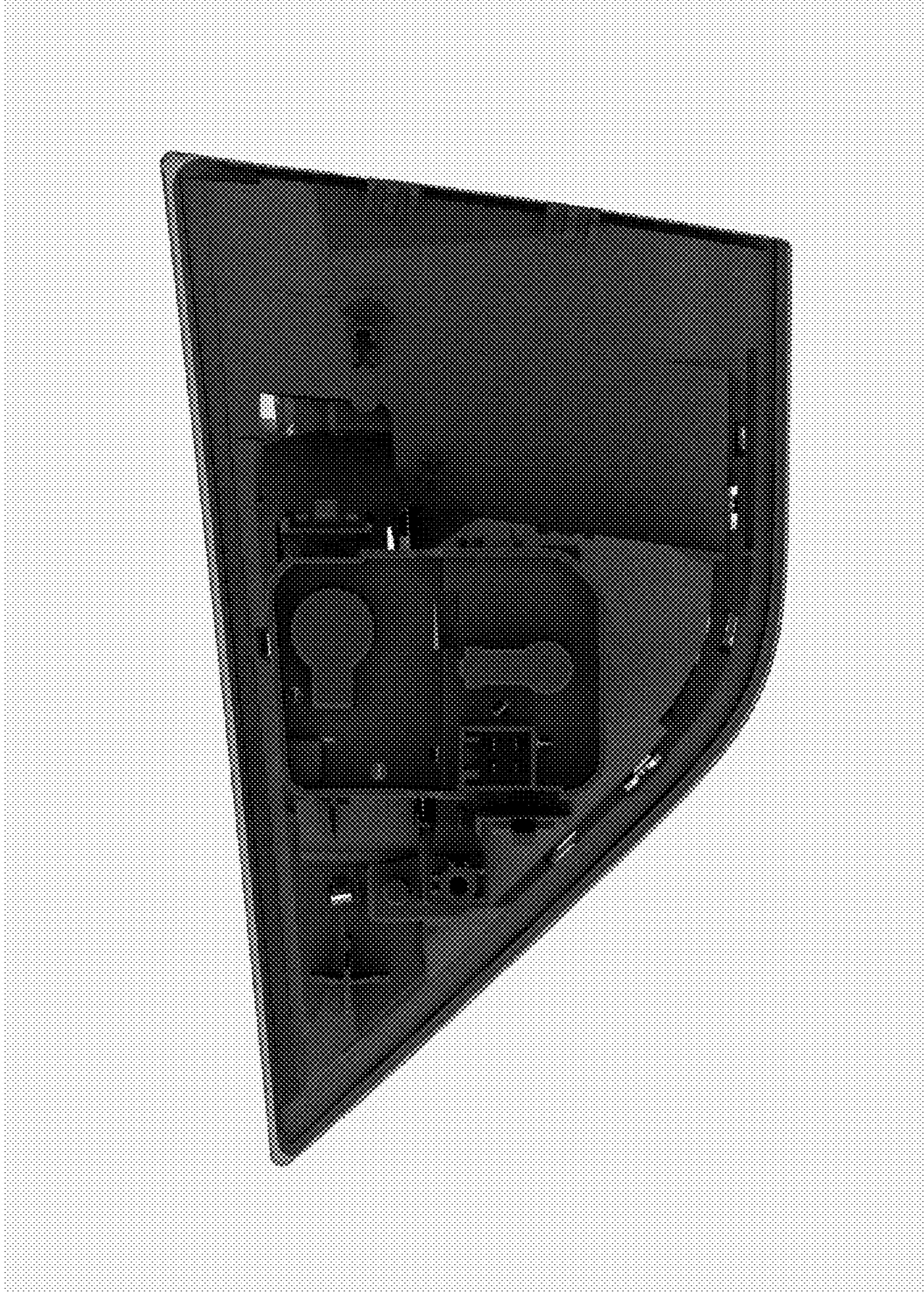


Fig. 8