



US00D719690S

(12) **United States Design Patent**  
**Ding et al.**

(10) **Patent No.:** **US D719,690 S**

(45) **Date of Patent:** **\*\* Dec. 16, 2014**

(54) **LED BULBS FOR VEHICLES**

(71) Applicant: **Koninklijke Philips N.V.**, Eindhoven (NL)

(72) Inventors: **Chao Ding**, Shanghai (CN); **Sze Kuang Lee**, Bayan Lepas (MY); **Long Yin**, Shanghai (CN); **Chun Heng Kang**, Perak (MY); **Yang Guang Zhao**, Shanghai (CN)

(73) Assignee: **Koninklijke Philips N.V.**, Eindhoven (NL)

(\*\*) Term: **14 Years**

(21) Appl. No.: **29/460,208**

(22) Filed: **Jul. 9, 2013**

(30) **Foreign Application Priority Data**

Jan. 10, 2013 (EM) ..... 002164749-0001

(51) **LOC (10) Cl.** ..... **26-06**

(52) **U.S. Cl.**  
USPC ..... **D26/28**

(58) **Field of Classification Search**

USPC ..... D26/28-36; 362/459-468, 475-478, 362/485-487

See application file for complete search history.

(56) **References Cited**

U.S. PATENT DOCUMENTS

D470,257 S \* 2/2003 Byggmaster ..... D26/28  
D477,427 S \* 7/2003 Mazziotti ..... D26/28  
D551,364 S \* 9/2007 Hoffman ..... D26/28

\* cited by examiner

*Primary Examiner* — Marcus Jackson

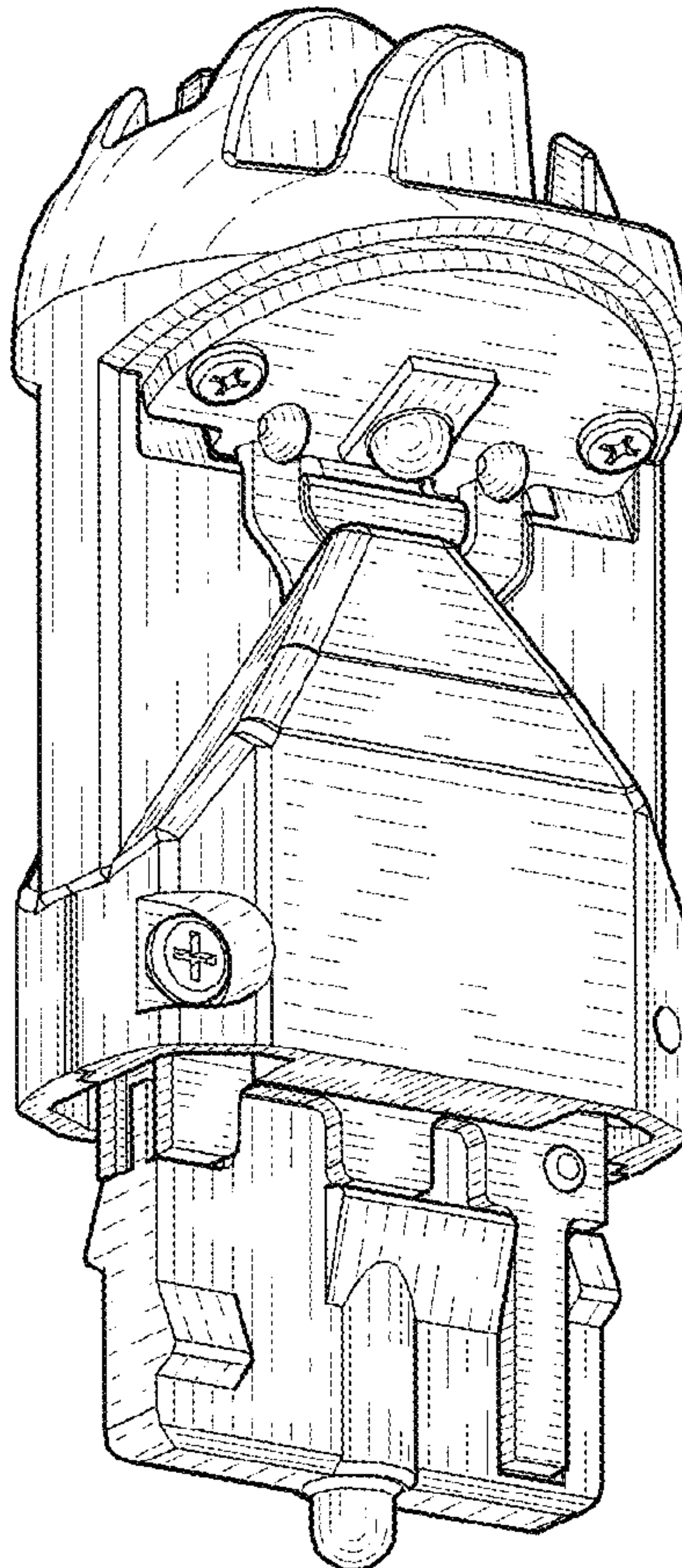
(57) **CLAIM**

The ornamental design for a LED bulb for vehicles, as shown.

**DESCRIPTION**

FIG. 1 is a perspective view showing my design;  
FIG. 2 is a front elevational view thereof;  
FIG. 3 is a rear elevational view thereof;  
FIG. 4 is a right side elevational view thereof;  
FIG. 5 is a left side elevational view thereof;  
FIG. 6 is a top plan view thereof; and,  
FIG. 7 is a bottom plan view thereof.

**1 Claim, 3 Drawing Sheets**



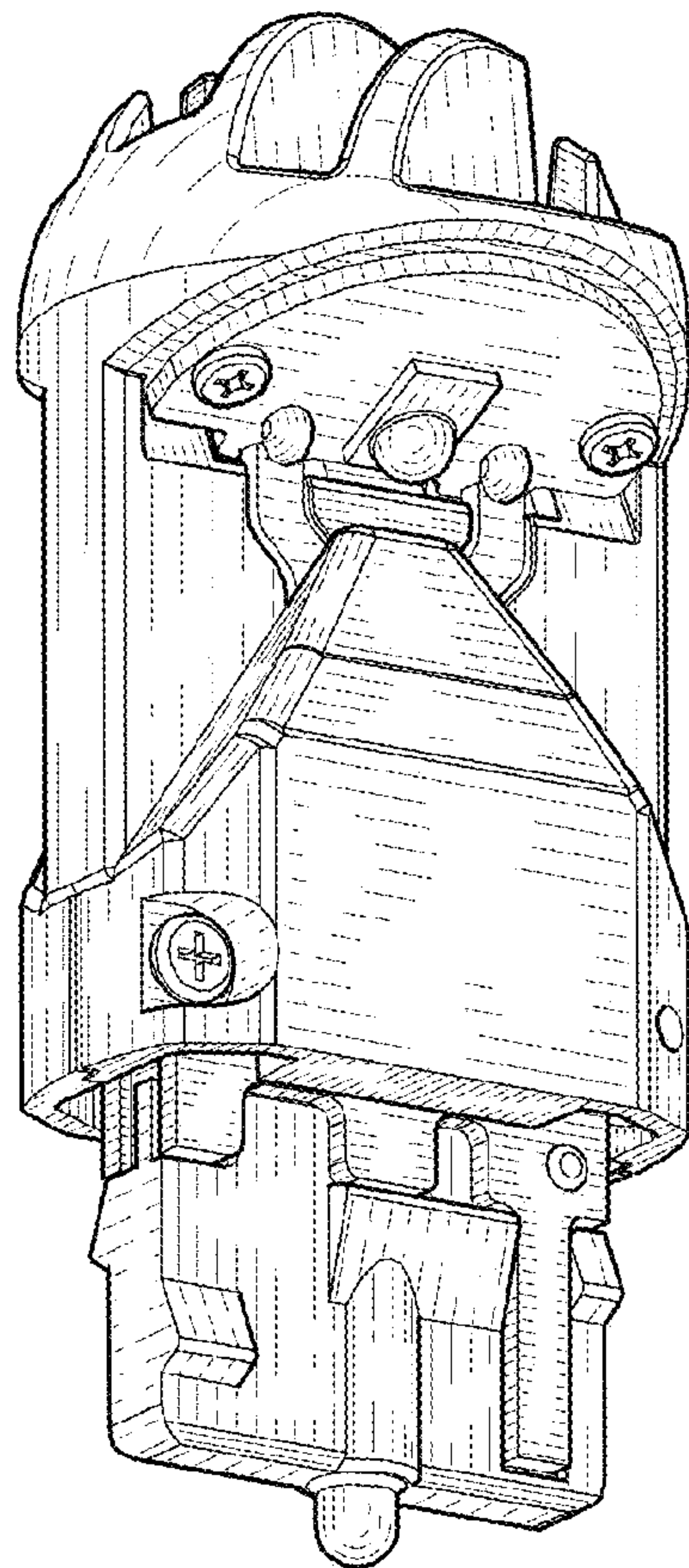


FIG. 1

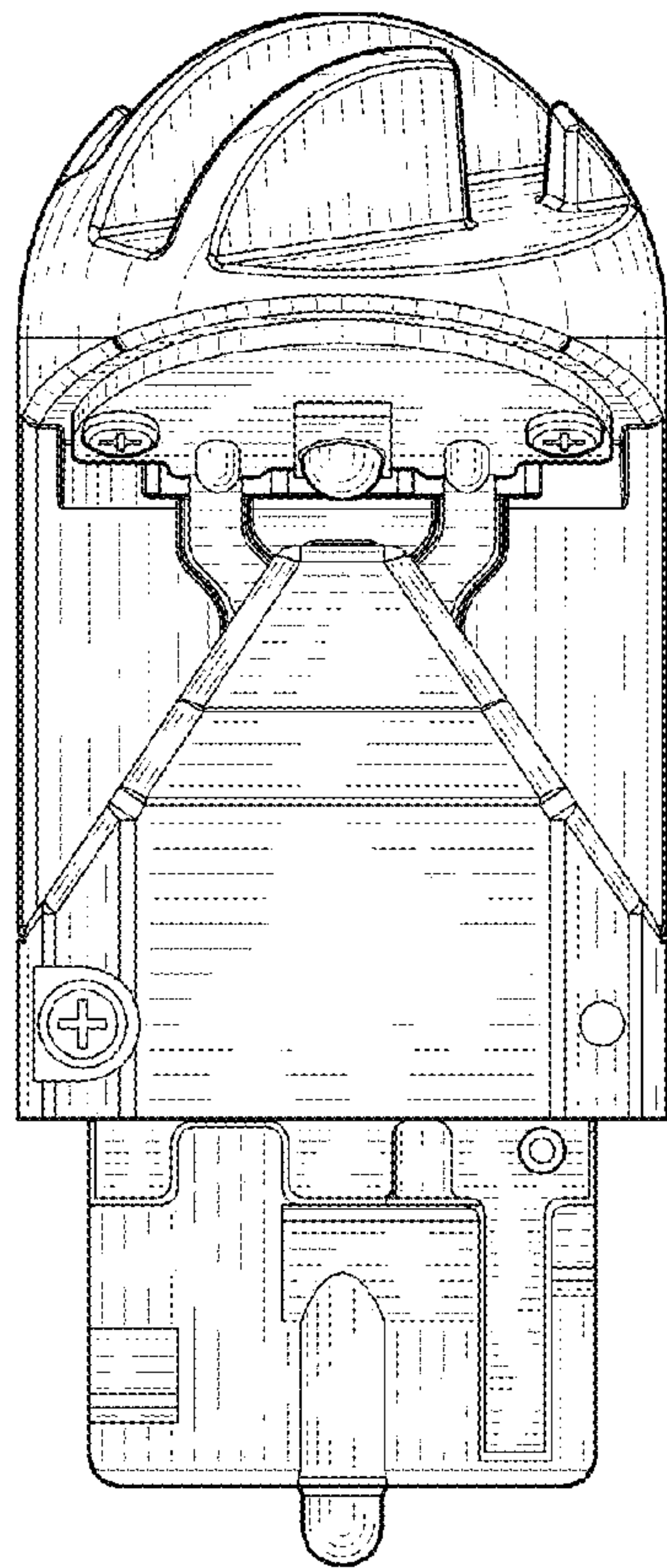


FIG. 2

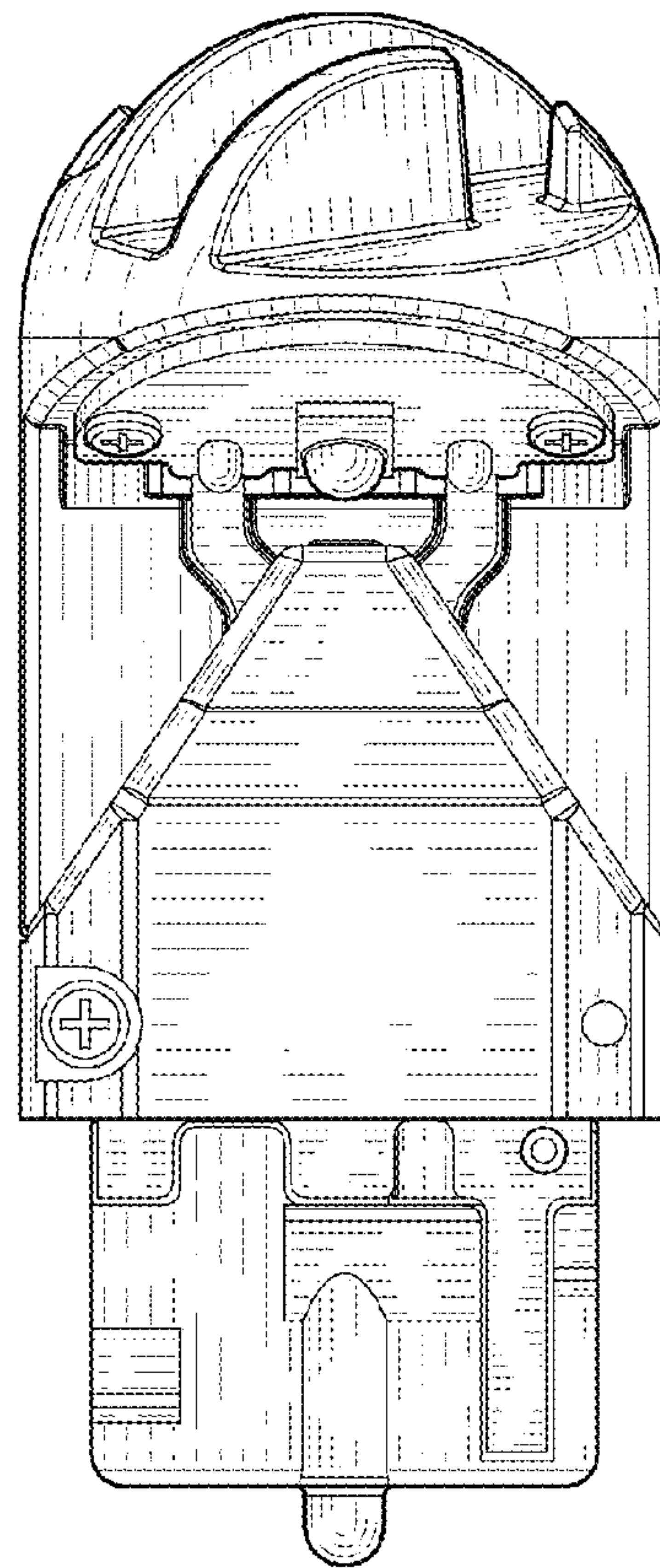


FIG. 3



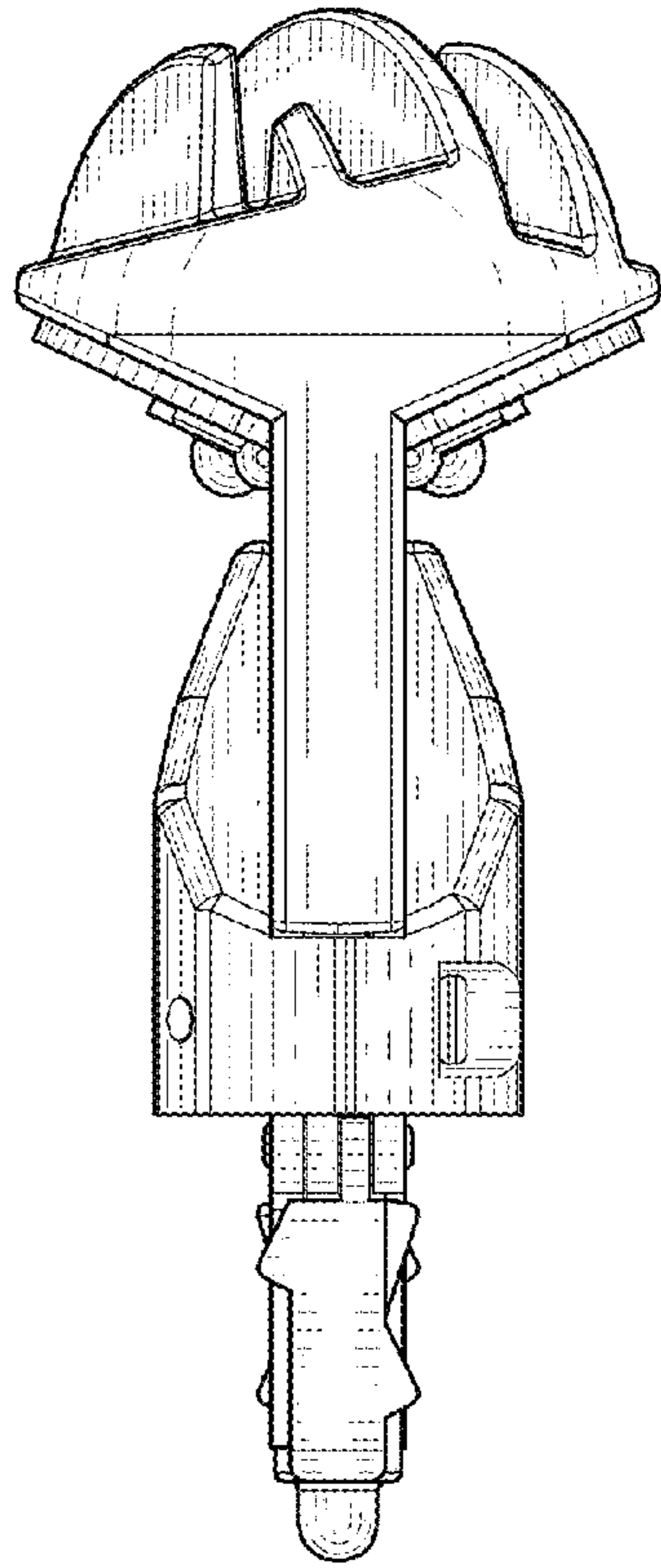


FIG. 4

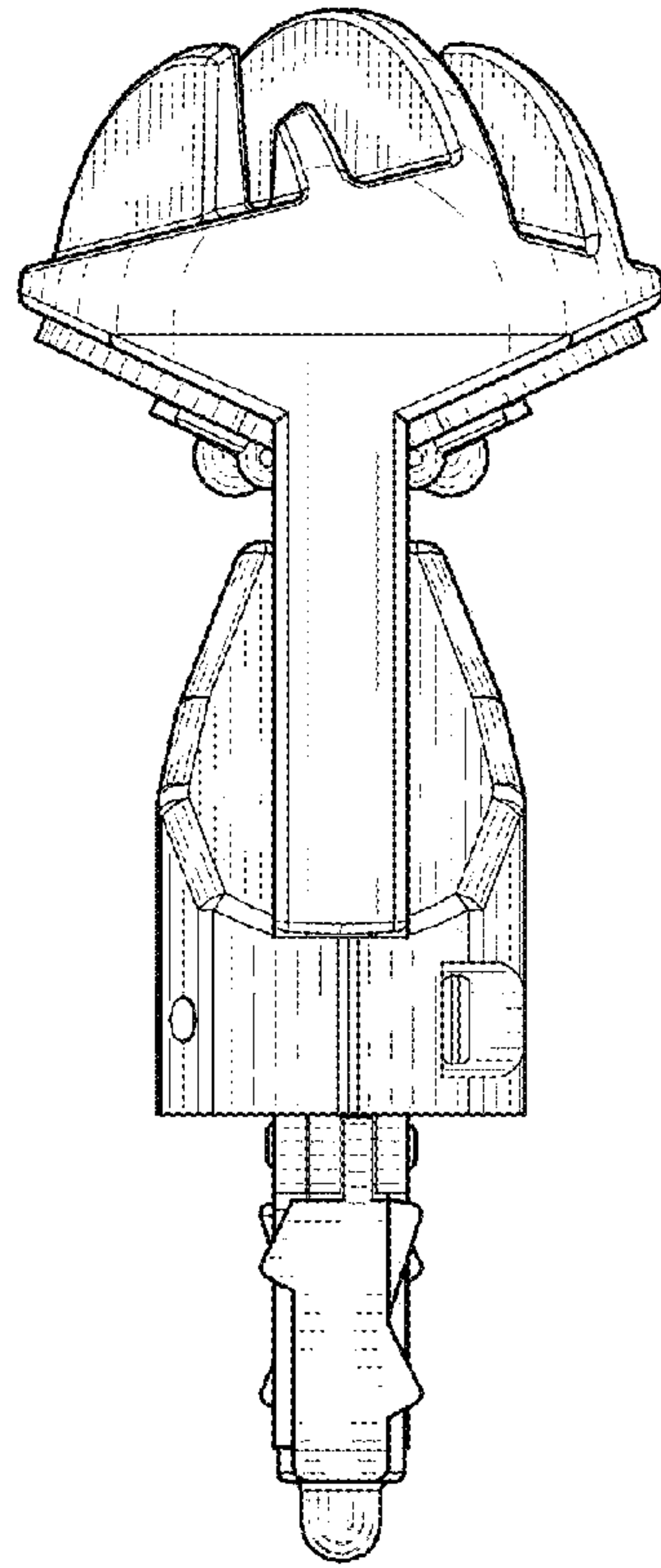


FIG. 5

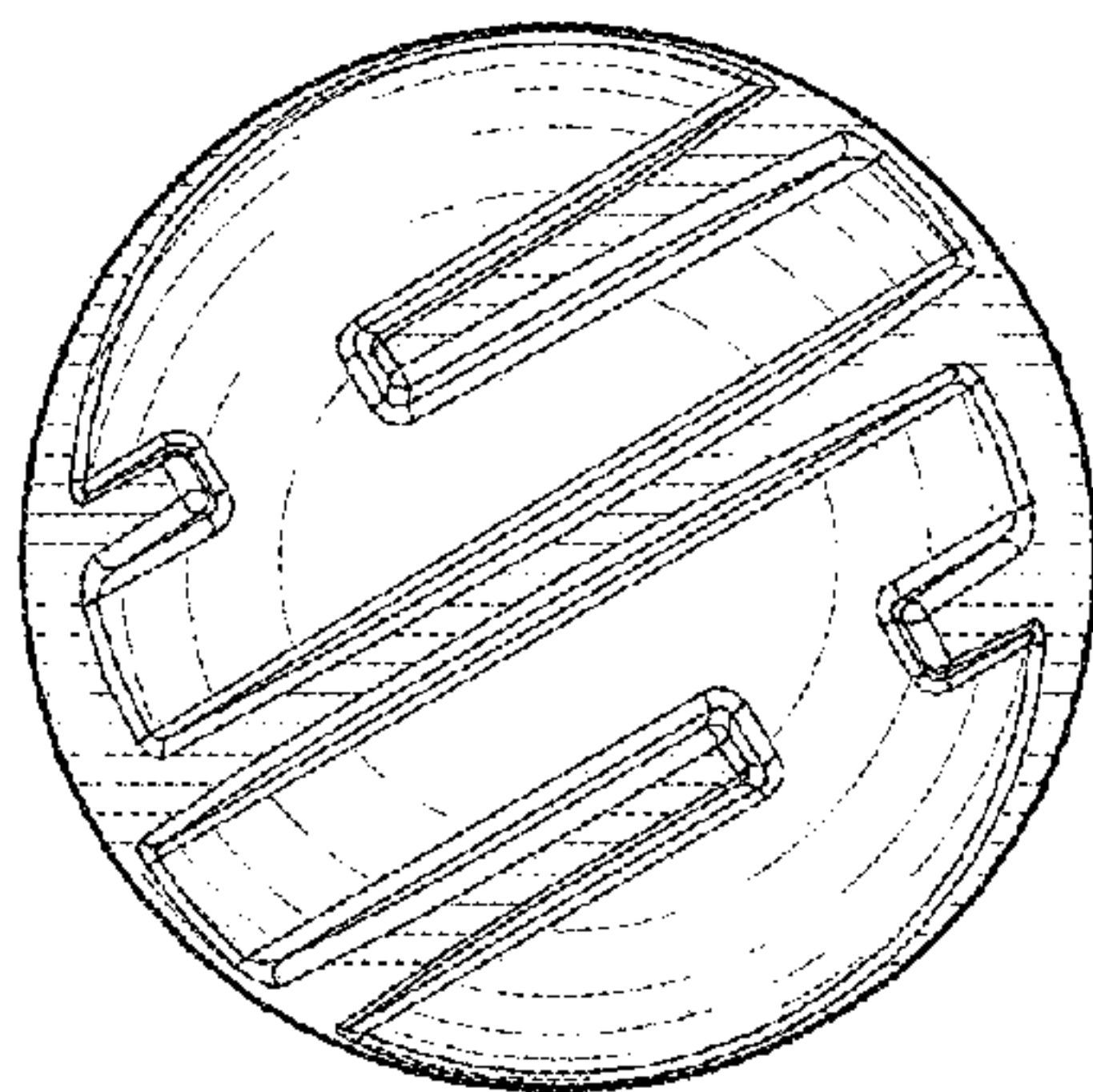


FIG. 6

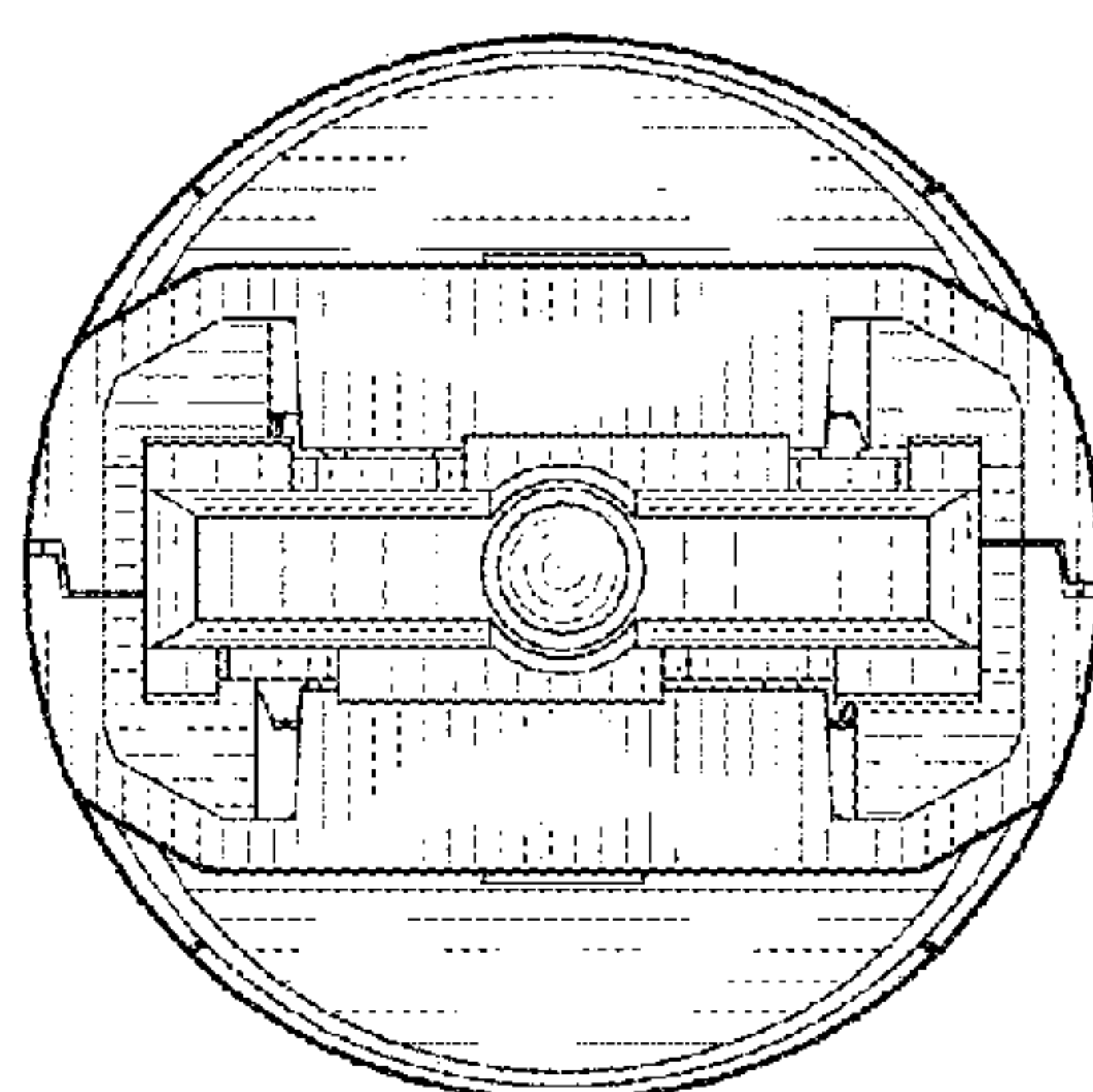


FIG. 7