



US00D719687S

(12) **United States Design Patent**
Kim et al.

(10) **Patent No.:** **US D719,687 S**

(45) **Date of Patent:** **** Dec. 16, 2014**

(54) **LIGHT EMITTING DIODE LAMP**

D471,653 S * 3/2003 Lin et al. D26/3
D498,311 S * 11/2004 Leung et al. D26/3
D513,080 S * 12/2005 Foo D26/3

(71) Applicant: **Lumirich Co., Ltd.**, Incheon (KR)

* cited by examiner

(72) Inventors: **Ha-Chul Kim**, Seoul (KR); **Hwa-Gune Chong**, Incheon (KR)

Primary Examiner — Marcus Jackson

(73) Assignee: **Lumirich Co., Ltd.**, Incheon (KR)

(74) *Attorney, Agent, or Firm* — Rabin & Berdo, P.C.

(**) Term: **14 Years**

(57) **CLAIM**

The ornamental design for a light emitting diode lamp, as shown and described.

(21) Appl. No.: **29/464,851**

(22) Filed: **Aug. 21, 2013**

DESCRIPTION

(51) **LOC (10) Cl.** **26-04**

FIG. 1 is a perspective view of a light emitting diode device showing my new design;

(52) **U.S. Cl.**

FIG. 2 is a front elevational view thereof;

USPC **D26/3**

FIG. 3 is a rear elevational view thereof;

(58) **Field of Classification Search**

USPC D26/1-4; 313/313, 315, 316, 317, 318, 313/493; 315/52, 53, 56, 57, 58

FIG. 4 is a left side elevational view thereof;

See application file for complete search history.

FIG. 5 is a right side elevational view thereof;

FIG. 6 is a top plan view thereof; and,

FIG. 7 is a bottom plan view thereof.

The surface(s) or portion(s) of the article not shown in the drawing or described in the specification form(s) no part of the claimed design.

(56) **References Cited**

U.S. PATENT DOCUMENTS

D429,348 S * 8/2000 Holzer D26/3
D464,154 S * 10/2002 Xu D26/3

1 Claim, 5 Drawing Sheets

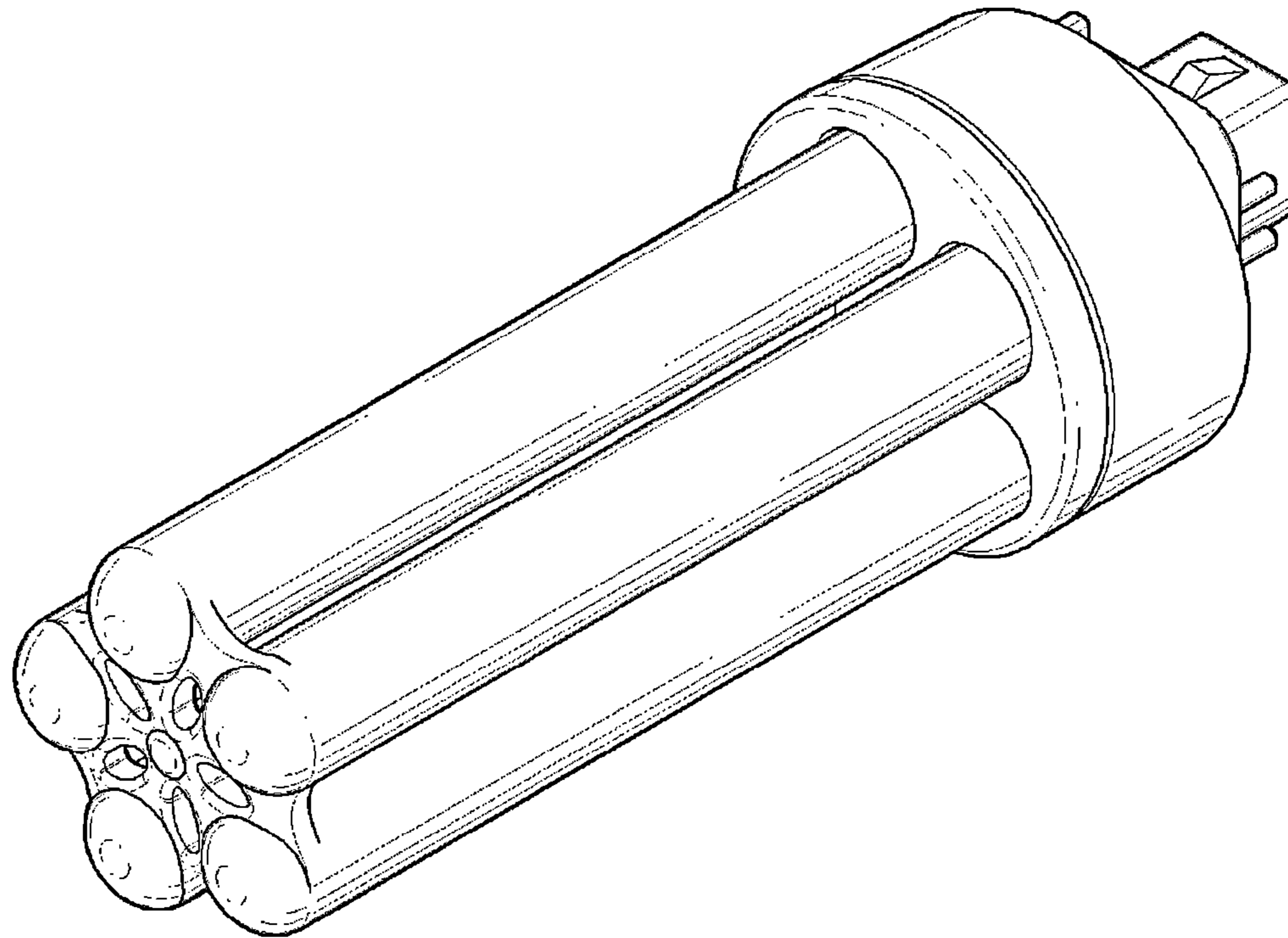


FIG. 1

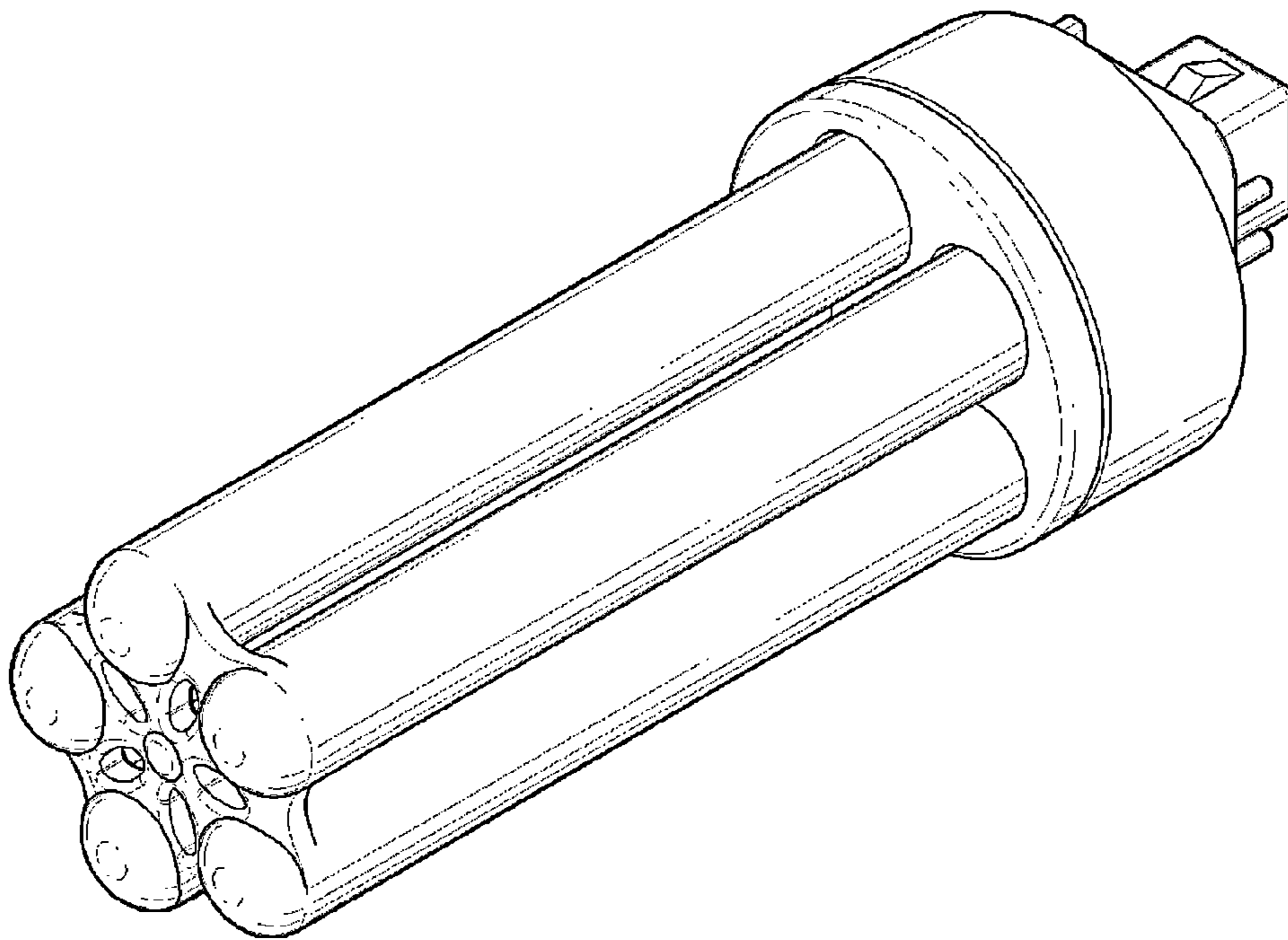


FIG. 2

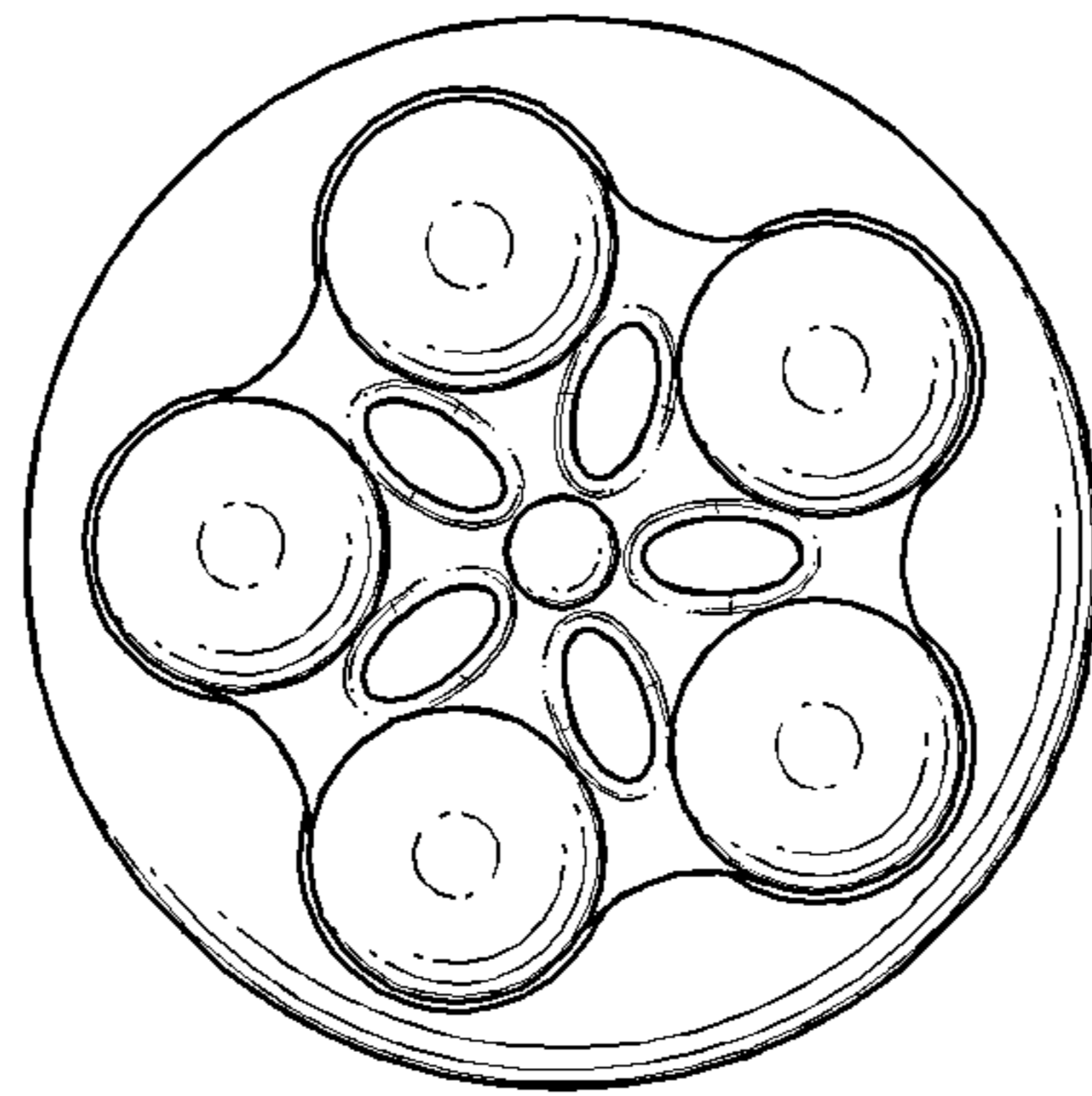


FIG. 3

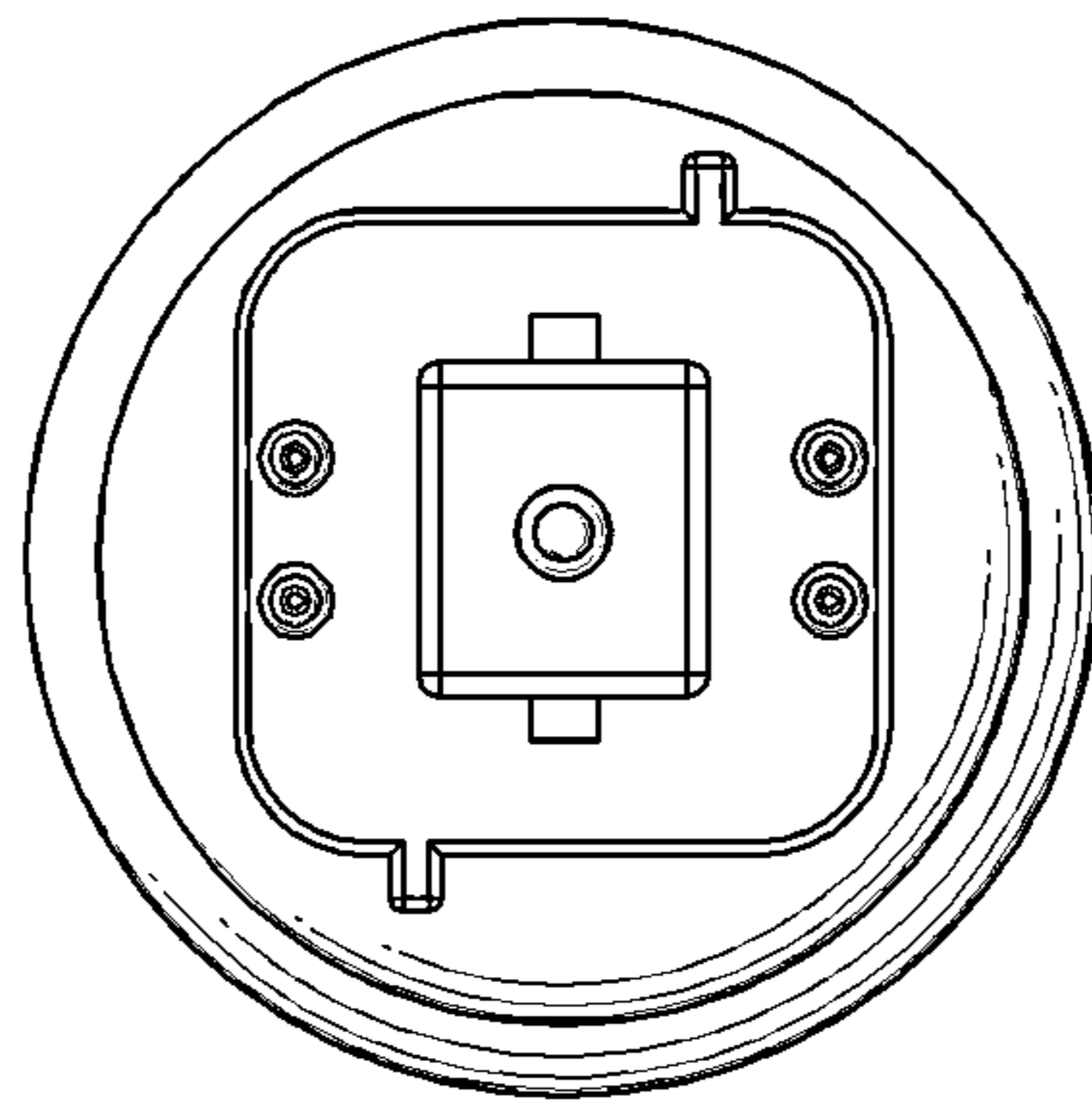


FIG. 4

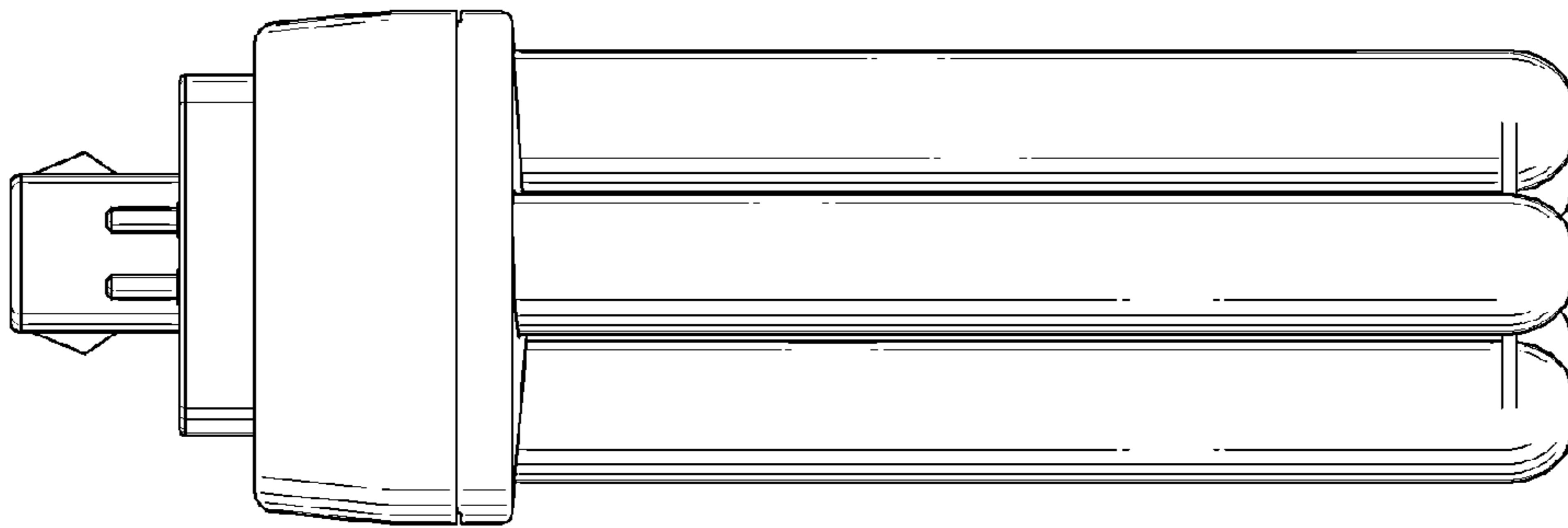


FIG. 5

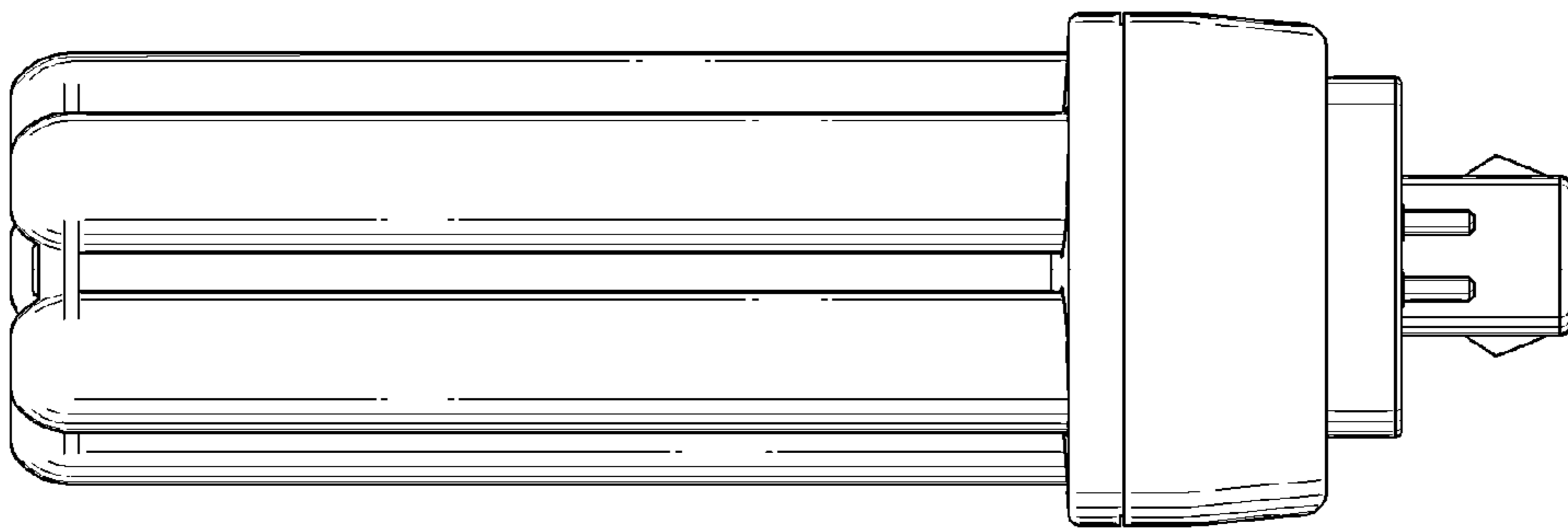


FIG. 6

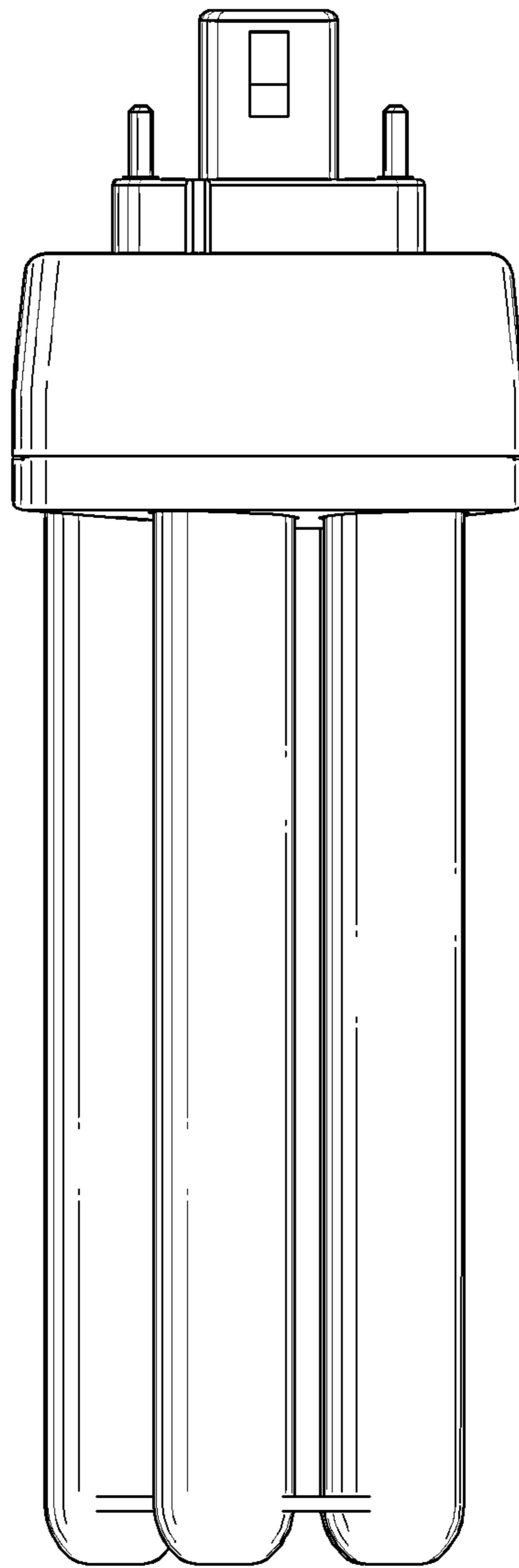


FIG. 7

