



US00D719686S

(12) **United States Design Patent**
Kim et al.

(10) **Patent No.:** **US D719,686 S**

(45) **Date of Patent:** **** Dec. 16, 2014**

- (54) **LIGHT EMITTING DIODE LAMP**
- (71) Applicant: **Lumirich Co., Ltd.**, Incheon (KR)
- (72) Inventors: **Ha-Chul Kim**, Seoul (KR); **Hwa-Gune Chong**, Incheon (KR)
- (73) Assignee: **Lumirich Co., Ltd.**, Incheon (KR)
- (**) Term: **14 Years**
- (21) Appl. No.: **29/464,840**
- (22) Filed: **Aug. 21, 2013**
- (51) **LOC (10) Cl.** **26-04**
- (52) **U.S. Cl.**
USPC **D26/3**
- (58) **Field of Classification Search**
USPC D26/1-4; 313/313, 315, 316, 317, 318,
313/493; 315/52, 53, 56, 57, 58
See application file for complete search history.

D471,653 S *	3/2003	Lin et al.	D26/3
D498,311 S *	11/2004	Leung et al.	D26/3
D513,080 S *	12/2005	Foo	D26/3

* cited by examiner

Primary Examiner — Marcus Jackson

(74) *Attorney, Agent, or Firm* — Rabin & Berdo, P.C.

(57) **CLAIM**

The ornamental design for a light emitting diode lamp, as shown and described.

DESCRIPTION

FIG. 1 is a perspective view of a light emitting diode device showing my new design;
 FIG. 2 is a front elevational view thereof;
 FIG. 3 is a rear elevational view thereof;
 FIG. 4 is a left side elevational view thereof;
 FIG. 5 is a right side elevational view thereof;
 FIG. 6 is a top plan view thereof; and,
 FIG. 7 is a bottom plan view thereof.
 The surface(s) or portion(s) of the article not shown in the drawing or described in the specification form(s) no part of the claimed design.

(56) **References Cited**

U.S. PATENT DOCUMENTS

D429,348 S *	8/2000	Holzer	D26/3
D464,154 S *	10/2002	Xu	D26/3

1 Claim, 5 Drawing Sheets

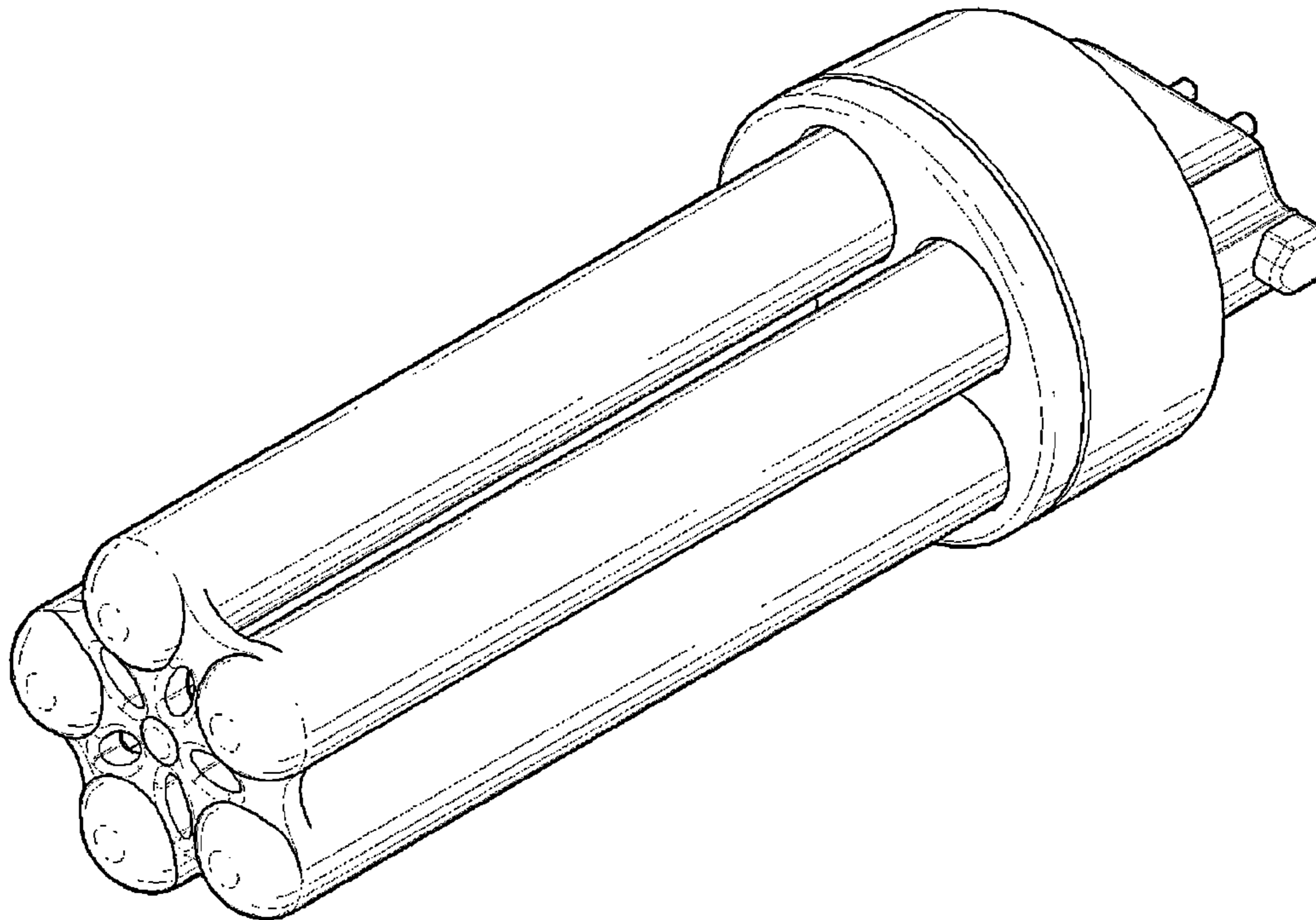


FIG. 1

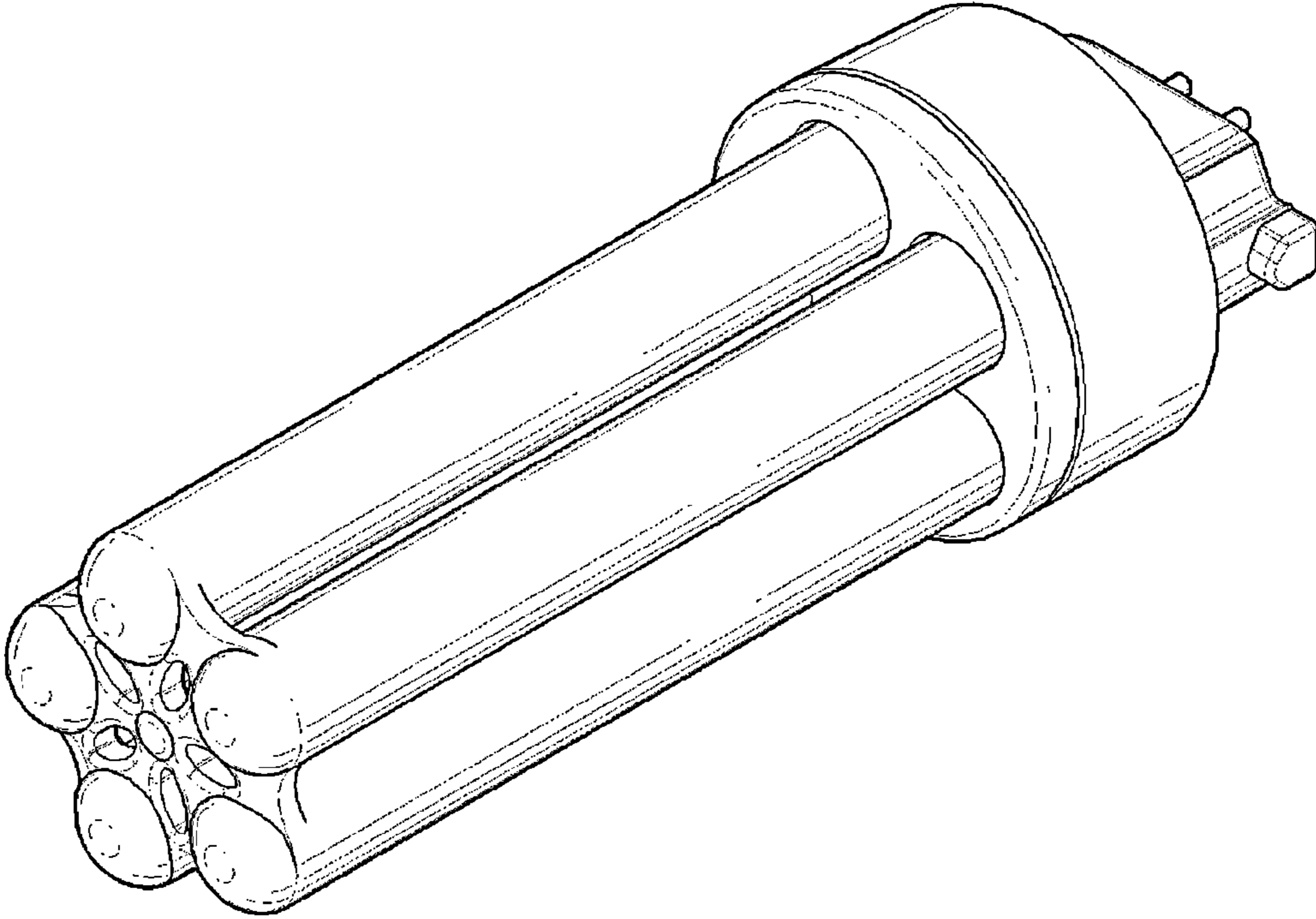


FIG. 2

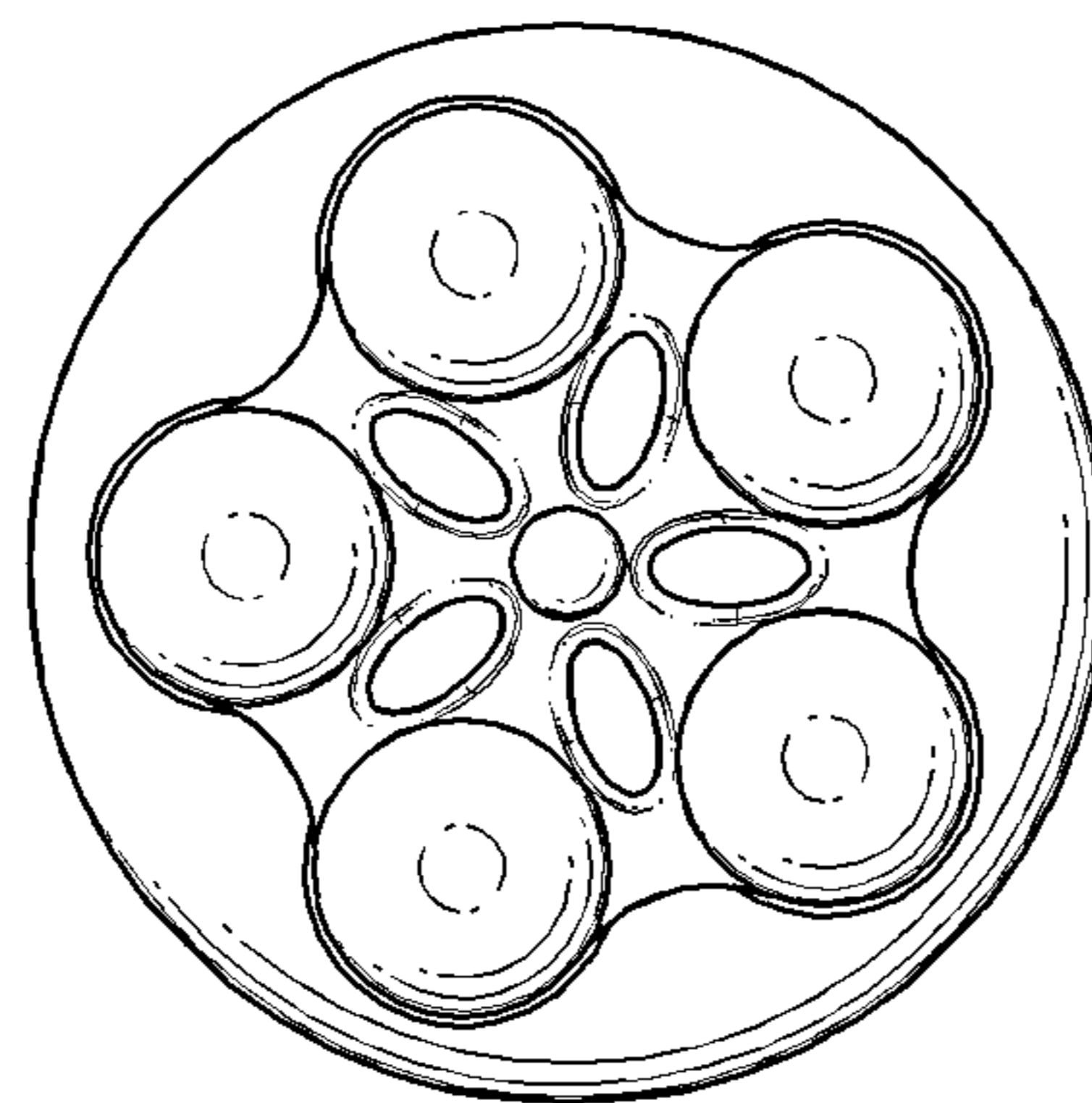


FIG. 3

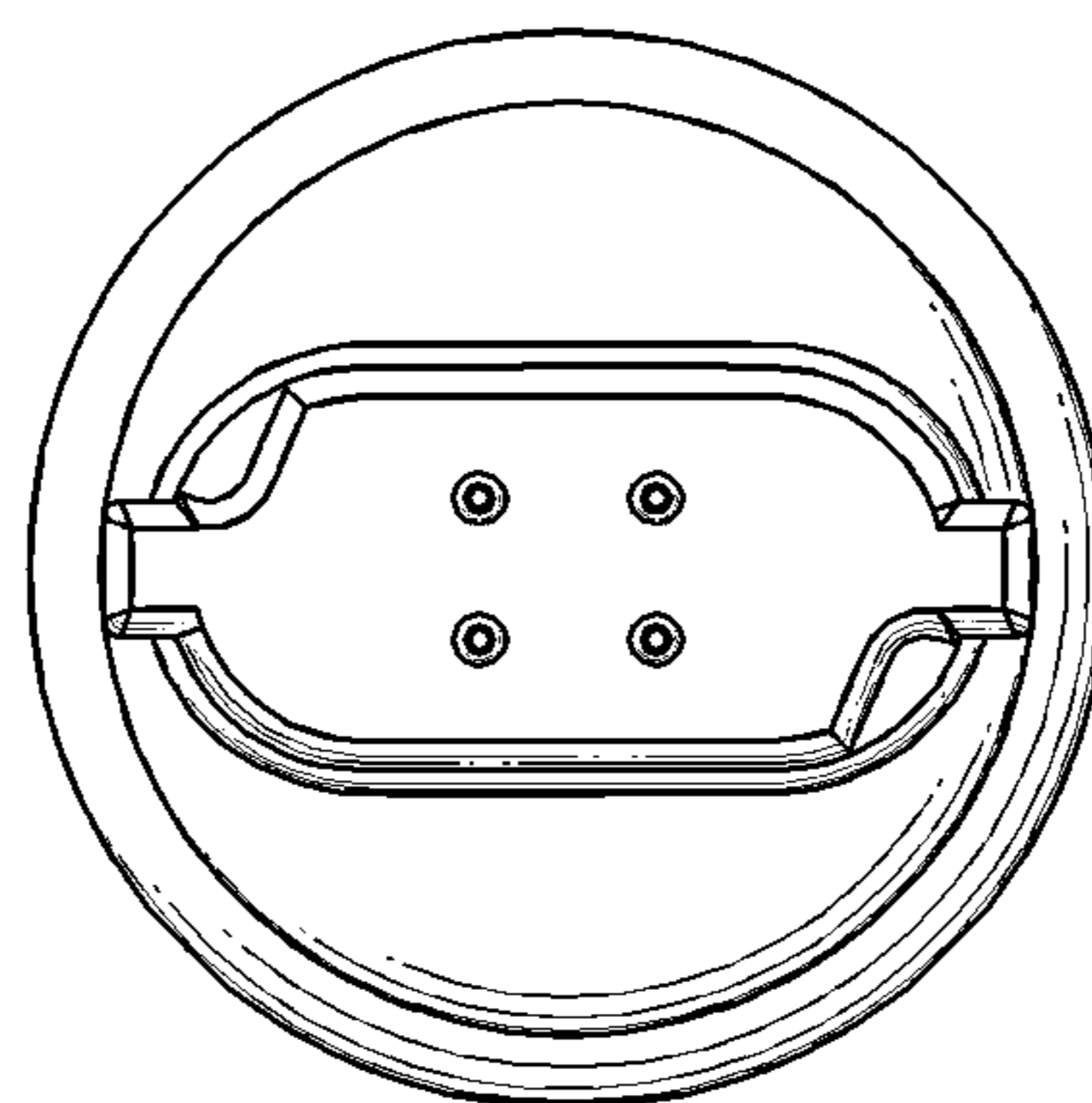


FIG. 4



FIG. 5



FIG. 6

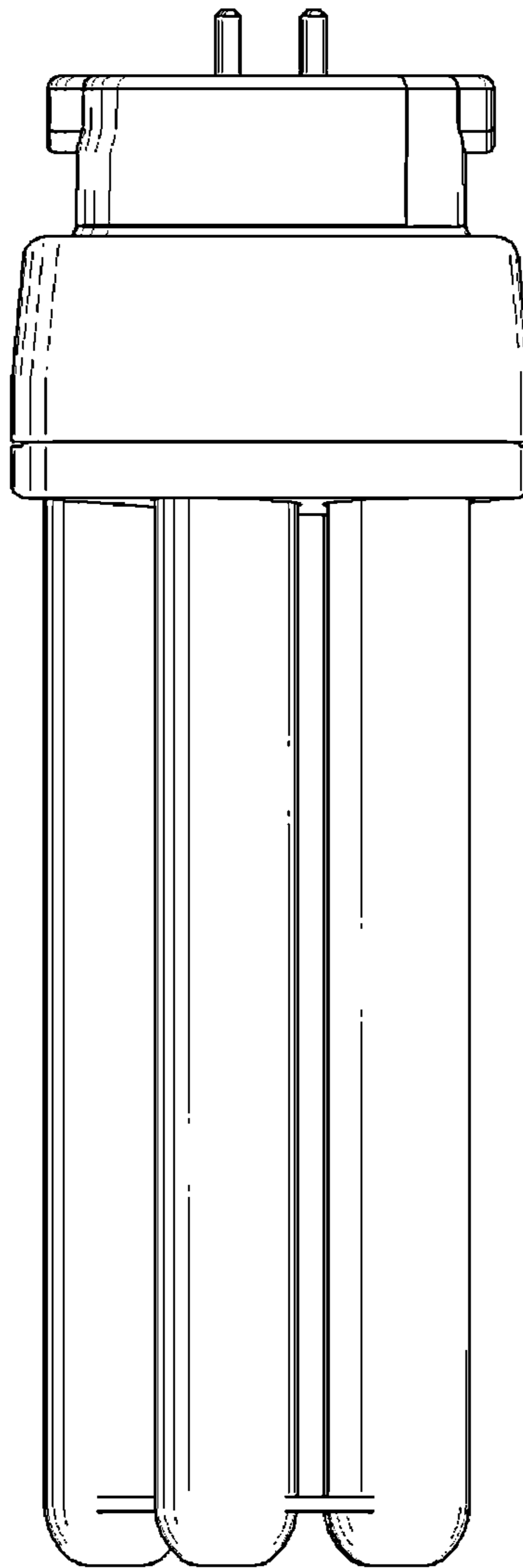


FIG. 7

