

US00D719685S

(12) **United States Design Patent**
Yao et al.

(10) **Patent No.:** **US D719,685 S**
(45) **Date of Patent:** **** Dec. 16, 2014**

- (54) **LIGHT-EMITTING DIODE BULB**
- (71) Applicant: **Epistar Corporation**, Hsinchu (TW)
- (72) Inventors: **Chiu-Lin Yao**, Hsinchu (TW); **Been-Yu Liaw**, Hsinchu (TW); **Wei-Chiang Hu**, Hsinchu (TW)
- (73) Assignee: **Epistar Corporation**, Hsinchu (TW)
- (**) Term: **14 Years**
- (21) Appl. No.: **29/462,299**
- (22) Filed: **Aug. 1, 2013**
- (30) **Foreign Application Priority Data**
- Feb. 1, 2013 (TW) 102300944
- (51) **LOC (10) Cl.** **26-04**
- (52) **U.S. Cl.**
- USPC **D26/2**
- (58) **Field of Classification Search**
- USPC D26/1-4; 313/313, 315, 316, 317, 318, 313/493; 315/52, 53, 56, 57, 58
- See application file for complete search history.

- (56) **References Cited**
- U.S. PATENT DOCUMENTS
- D531,741 S * 11/2006 Takahashi D26/2
- D538,950 S * 3/2007 Maxik D26/2
- D538,953 S * 3/2007 Mama D26/2
- D548,369 S * 8/2007 Bembridge D26/2
- D549,360 S * 8/2007 An D26/2
- D662,625 S * 6/2012 Yamamoto et al. D26/2
- D673,699 S 1/2013 Yao et al.

OTHER PUBLICATIONS

4W/5W/7W/9W Epistar LED Bulb Light E27/E26/B22/E17/E14, [online][retrieved Aug. 1, 2013] Retrieved from: <URL: <http://sell.pakuya.com/product-info/51031/4W-5W-7W-9W-Epistar-LED-Bulb-Light-E27-E26-B22-E17-E14.html>>.

B22 LED Lamp Bulb 7W 700lm, [online][retrieved Aug. 1, 2013] Retrieved from: <URL: <http://www.sunbayled.lightstrade.com/view/139859/B22-LED-Lamp-Bulb-7W-700lm.html>>.

E27 5W LRF Bulbs 240V 3 Years Warranty, [online] [retrieved Aug. 1, 2013] Retrieved from: <URL: <http://sunbayled.en.made-in-china.com/product/rbvJUHRyAZVq/China-E27-5W-LED-Bulbs-240V-3-Years-Warranty.html>>.

E27 3W Epistar LED Ceramic Bulb, [online][retrieved Aug. 1, 2013] Retrieved from: <URL: <http://taizhuo.manufacturer.globalsources.com/si/6008836986391/pdt/LED-globe/1063503758/E27-3W-Epistar-LED-Ceramic-Bulb.htm>>.

E27 Epistar LED Bulb Light Lamp 3W(AC85-265V) [online][retrieved Aug. 1, 2013] Retrieved from: <URL: http://www.wayjun.com/index.php?main_page=product_info&cPath=198_199&products_id=885>.

(Continued)

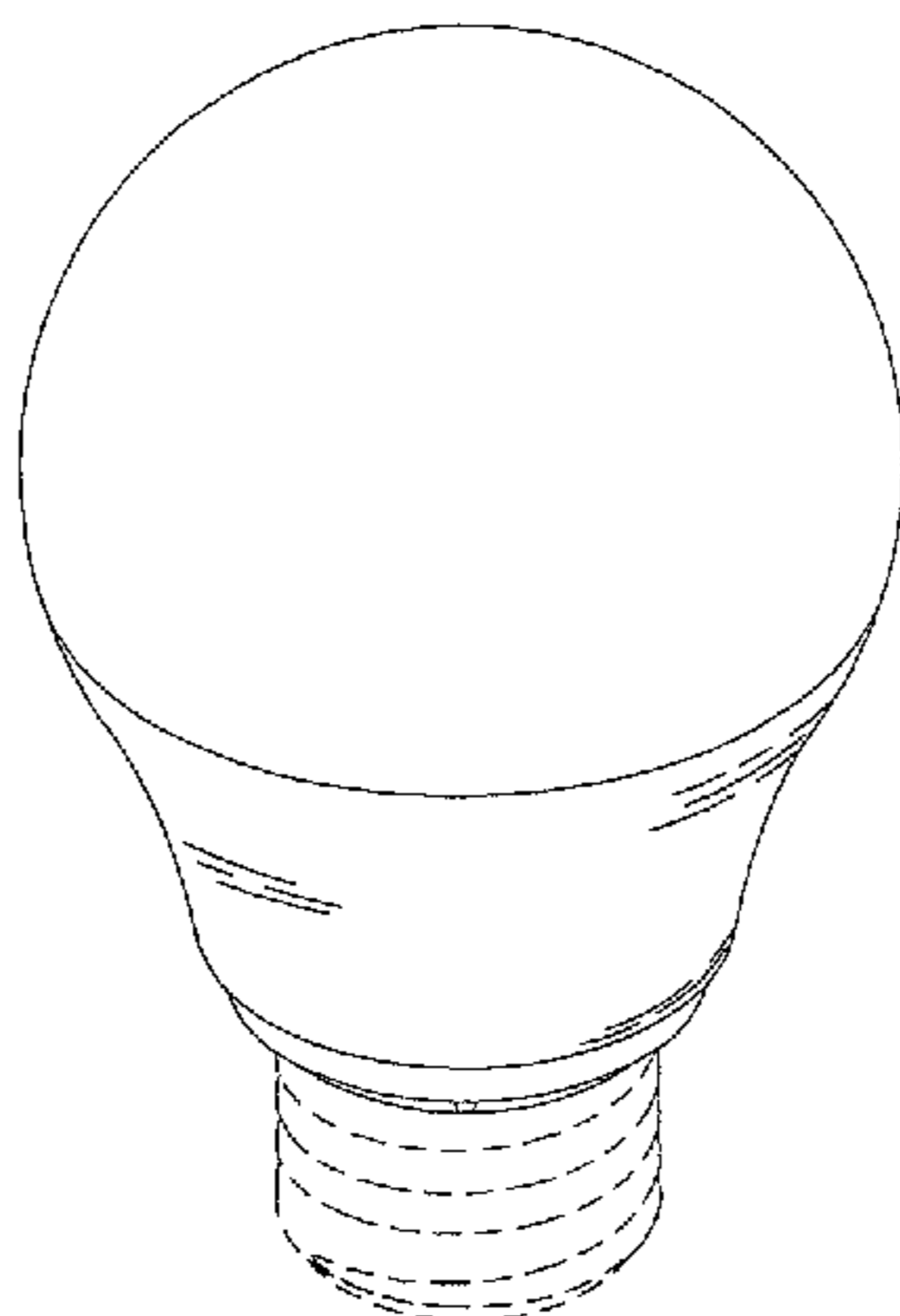
Primary Examiner — Marcus Jackson
(74) *Attorney, Agent, or Firm* — Alston & Bird LLP

(57) **CLAIM**
We claim the ornamental design for a light-emitting diode bulb, as shown and described.

DESCRIPTION

FIG. 1 is a perspective view of a light-emitting diode bulb showing our new design;
FIG. 2 is another perspective view thereof;
FIG. 3 is yet another perspective view thereof;
FIG. 4 is a front elevation view thereof;
FIG. 5 is a left side elevation view thereof;
FIG. 6 is a rear elevation view thereof;
FIG. 7 is a right side elevation view thereof;
FIG. 8 is a top plan view thereof; and,
FIG. 9 is a bottom plan view thereof.
The broken lines are directed to unclaimed features. The broken lines form no part of the claimed design.

1 Claim, 8 Drawing Sheets



(56)

References Cited

OTHER PUBLICATIONS

E27 Epistar 7W LED Bulb Light (HS-B7W01), [online][retrieved Aug. 1, 2013] Retrieved from: http://www.hsledlighting.com/products_info/E27-Epistar-7W-LED-Bulb-Light-HS-B7W01---191802.html.

SMD 9W LED Bulb Epistar Chip/E27/E26/CE/TUV, [online][retrieved Aug. 1, 2013] Retrieved from: <URL: <http://slloop.en.made-in-china.com/product/RScmGbVoOfkt/China-SMD-9W-LED-Bulb-Epistar-Chip-E27-E26-CE-TUV.html>>.

Wholesale—1×3 RGB Bulb Epistar(Tawian)LED 3-4W LED Lamps 85-265V LED Bulb LED Light Bulb 30PCS, [online][retrieved Sep. 13, 2013] Retrieved from: <URL: <http://www.dhgate.com/product/getProductImages.do?act=getProductImages&itemcode=135738297&pid=ff808081366bccce01368fbffae1038>>.

Wholesale 2W G45 LED Decorative Bulbs 2W LED Ball Light, 28 LEDs, Epistar Chip, 3 Years Warranty CE Rohs, [online][retrieved Aug. 1, 2013] Retrieved from: <URL: http://www.aliexpress.com/store/product/wholesale-2w-G45-led-deocrative-bulbs-2w-led-ball-light-28LEDs-Epistar-chip-3years-warranty-CE/804465_544126197.html>.

Untitled [online][retrieved Aug. 1, 2013] Retrieved from: <URL: http://sell.pakuya.com/upload/20110927/4W_5W_7w_9w_Epistar_LED_Bulb.jpg>.

Untitled [online][retrieved Aug. 1, 2013] Retrieved from: <URL: <http://www.wayjun.com/images/Led/LED-CQB3W-D03.jpg>>.

Untitled [online][retrieved Aug. 1, 2013] Retrieved from: <URL: [http://www.hsledlighting.com/uploadfile/h4/huasheng2794/product/led-bulb-light/E27-Epistar-7W-LED-Bulb-Light\(HS-B7W01\)-1345710551-0.jpg](http://www.hsledlighting.com/uploadfile/h4/huasheng2794/product/led-bulb-light/E27-Epistar-7W-LED-Bulb-Light(HS-B7W01)-1345710551-0.jpg)>.

* cited by examiner

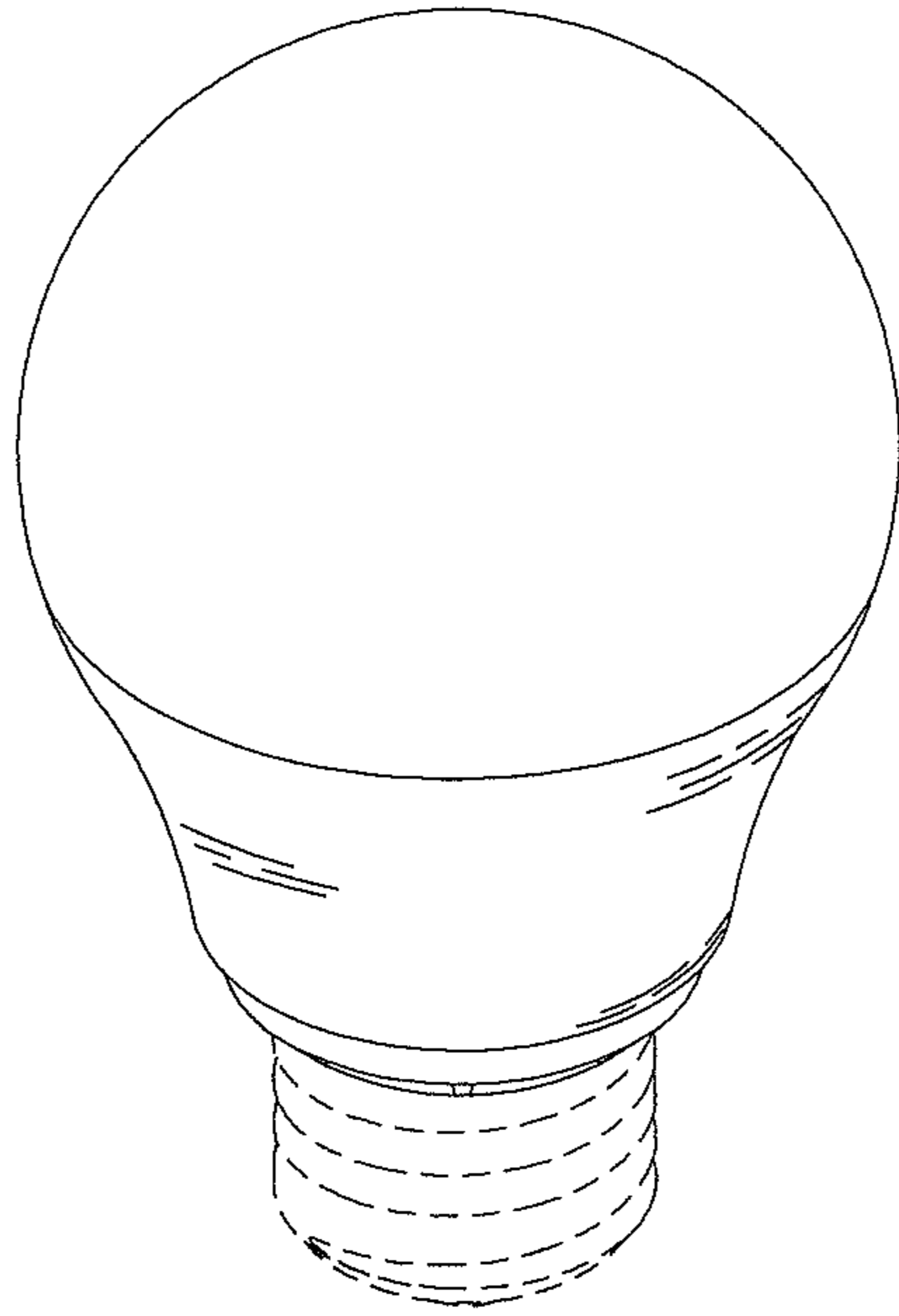


FIG.1

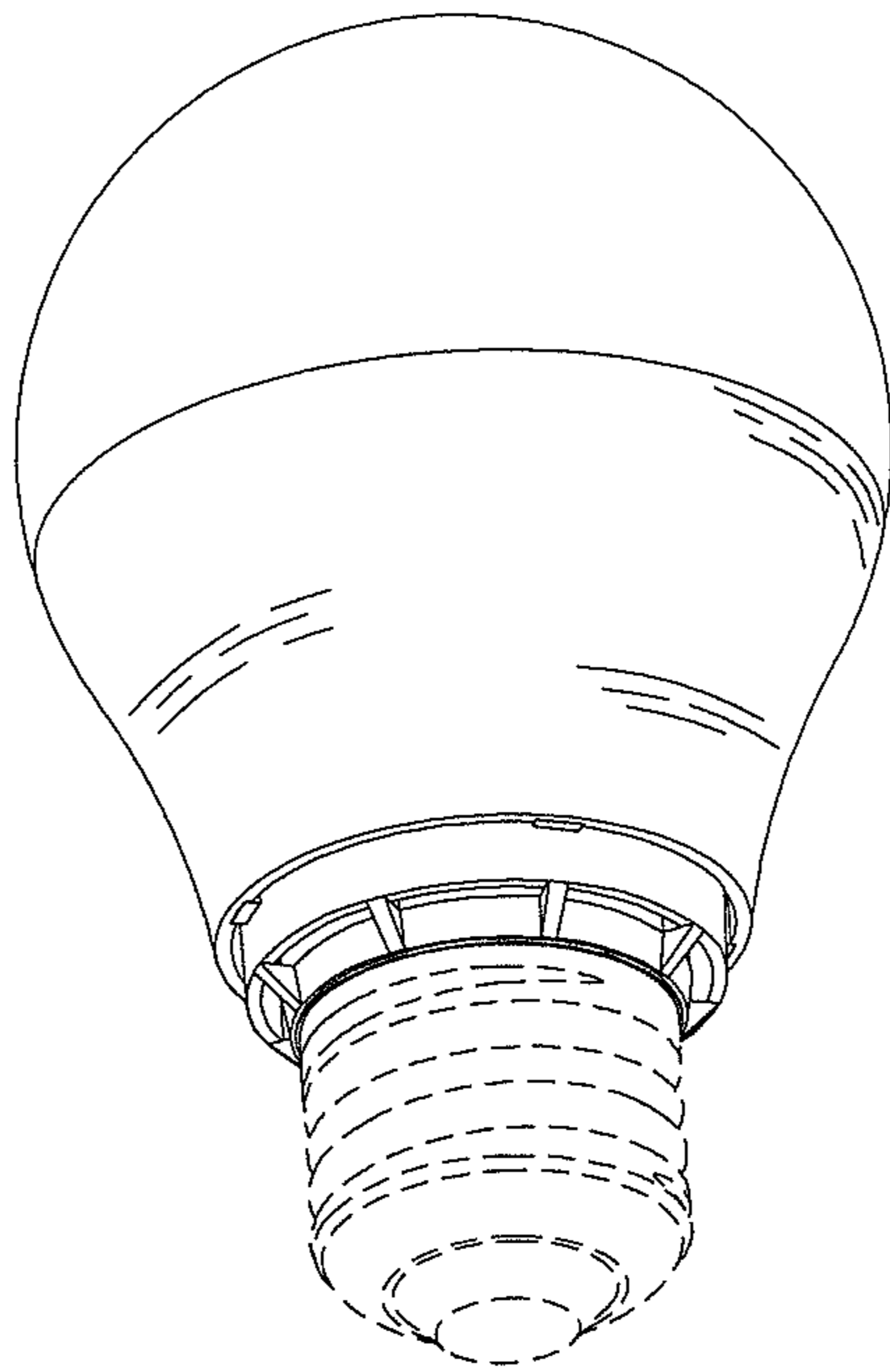


FIG.2

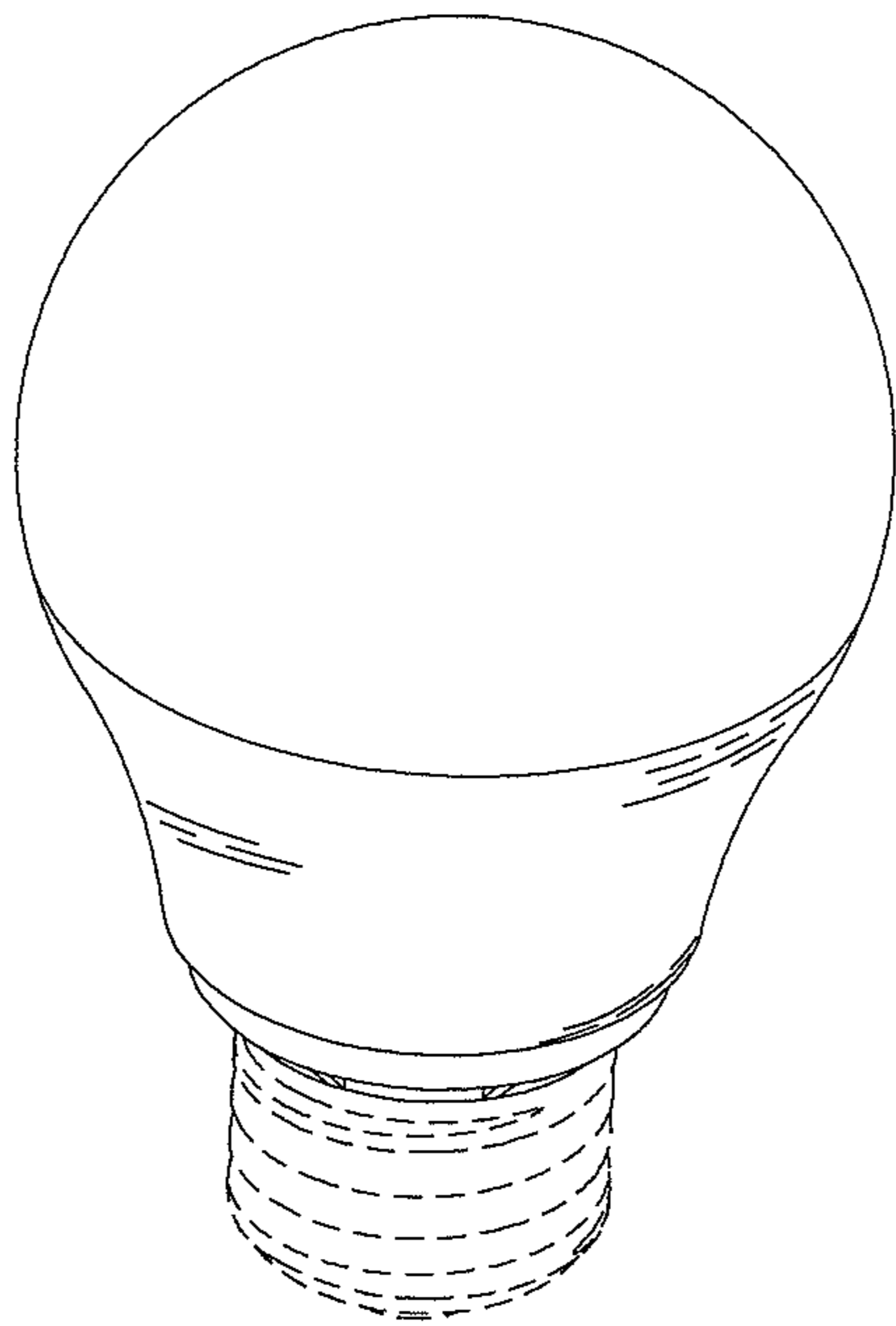


FIG.3

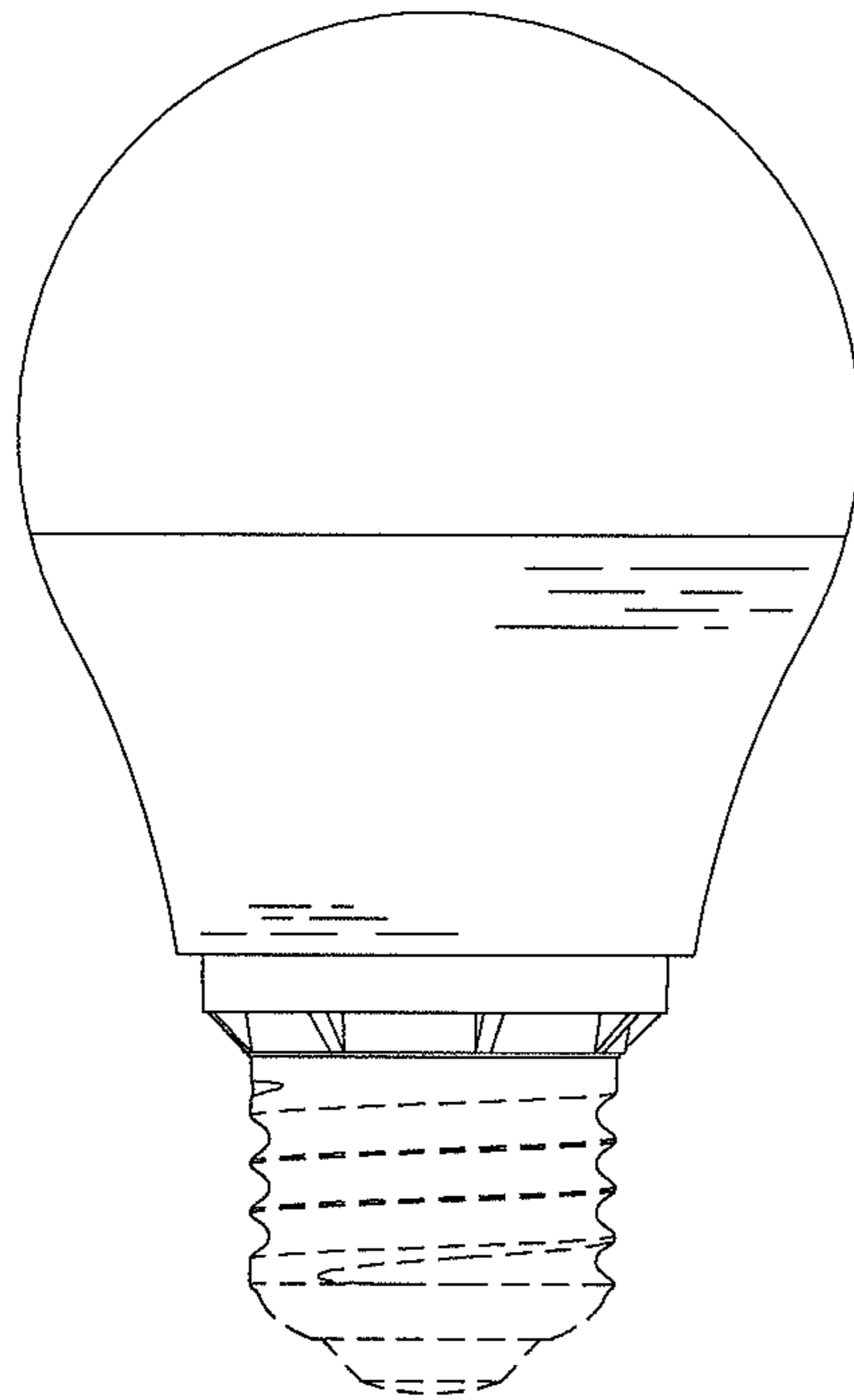


FIG.4

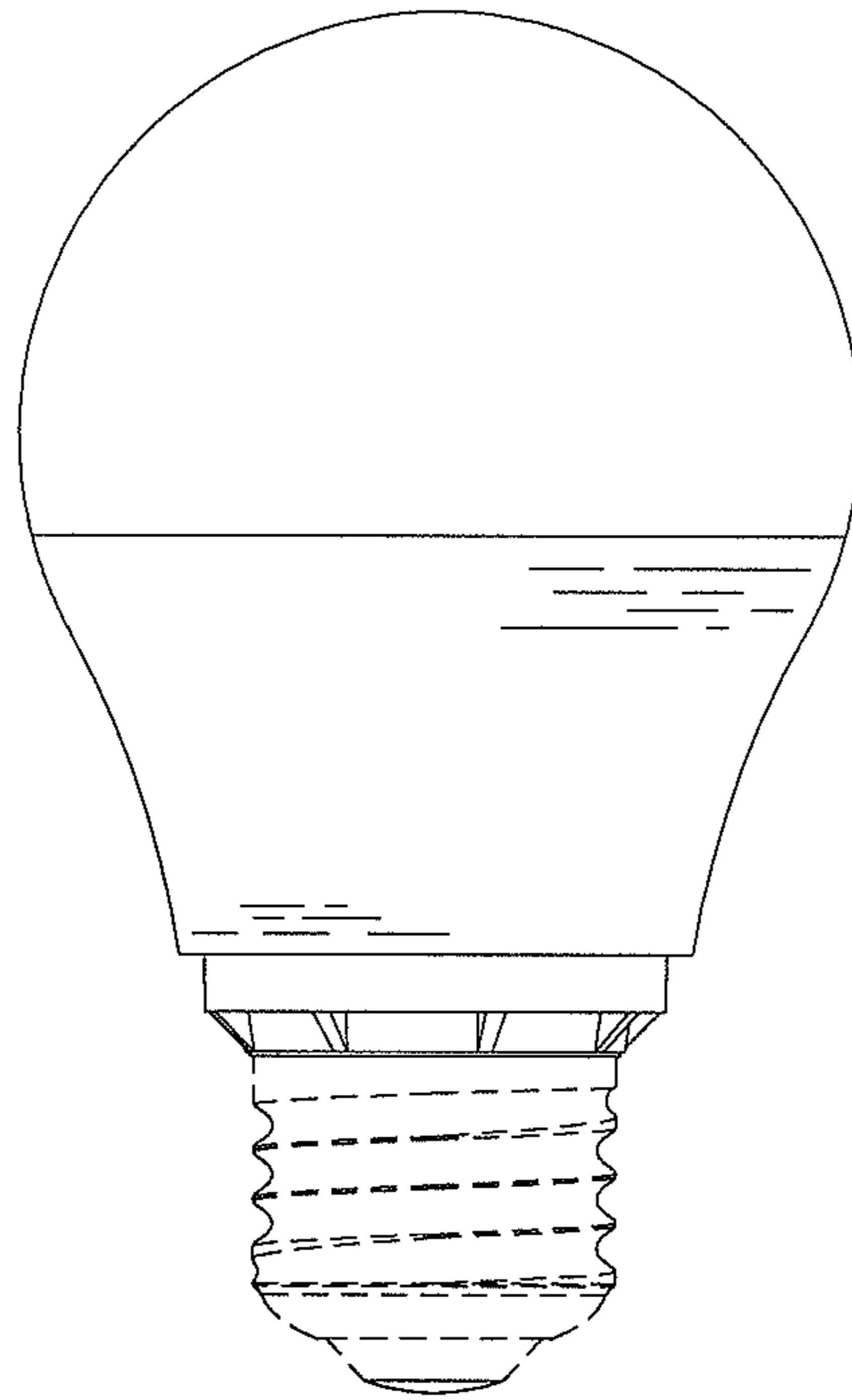


FIG.5

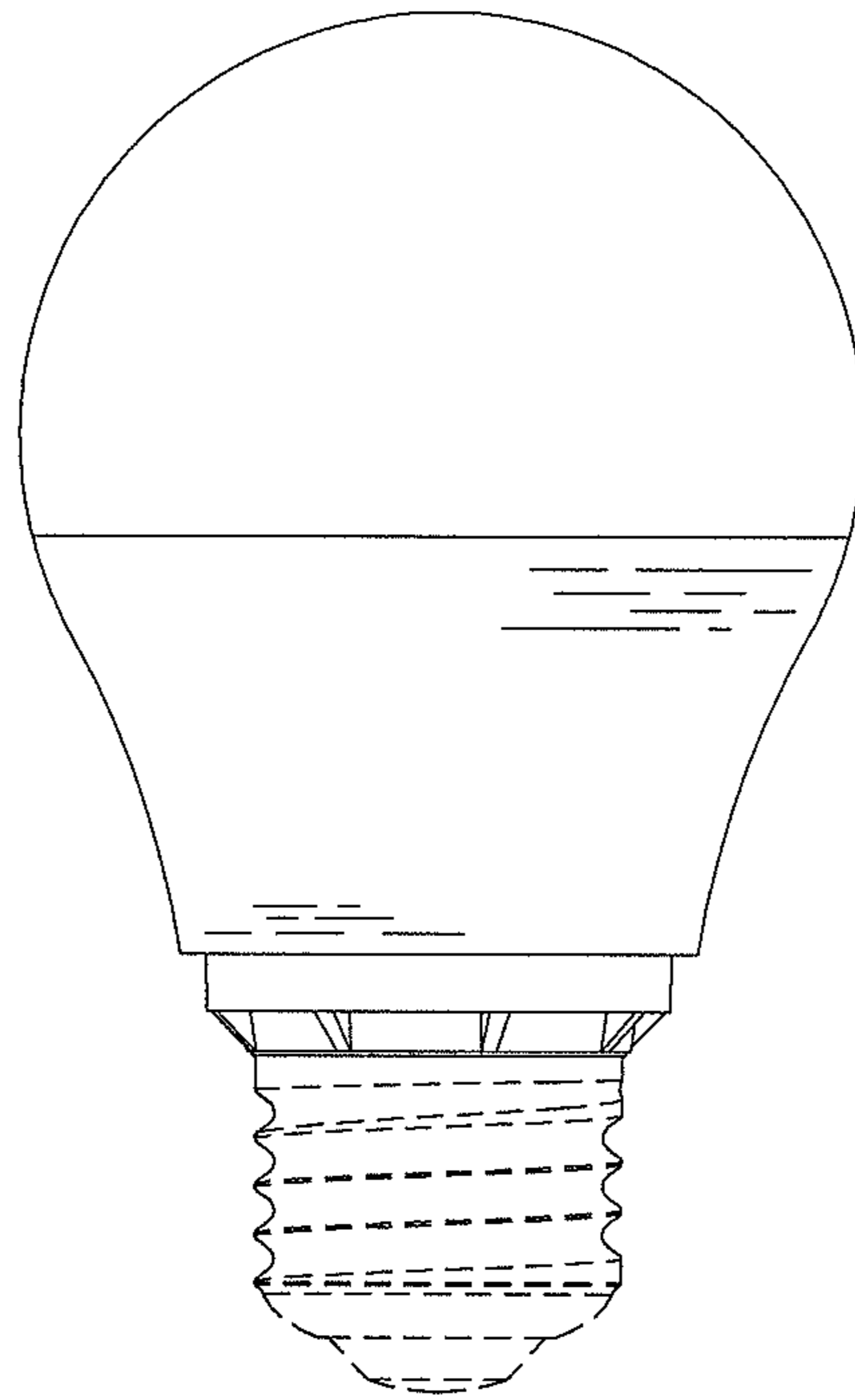


FIG.6

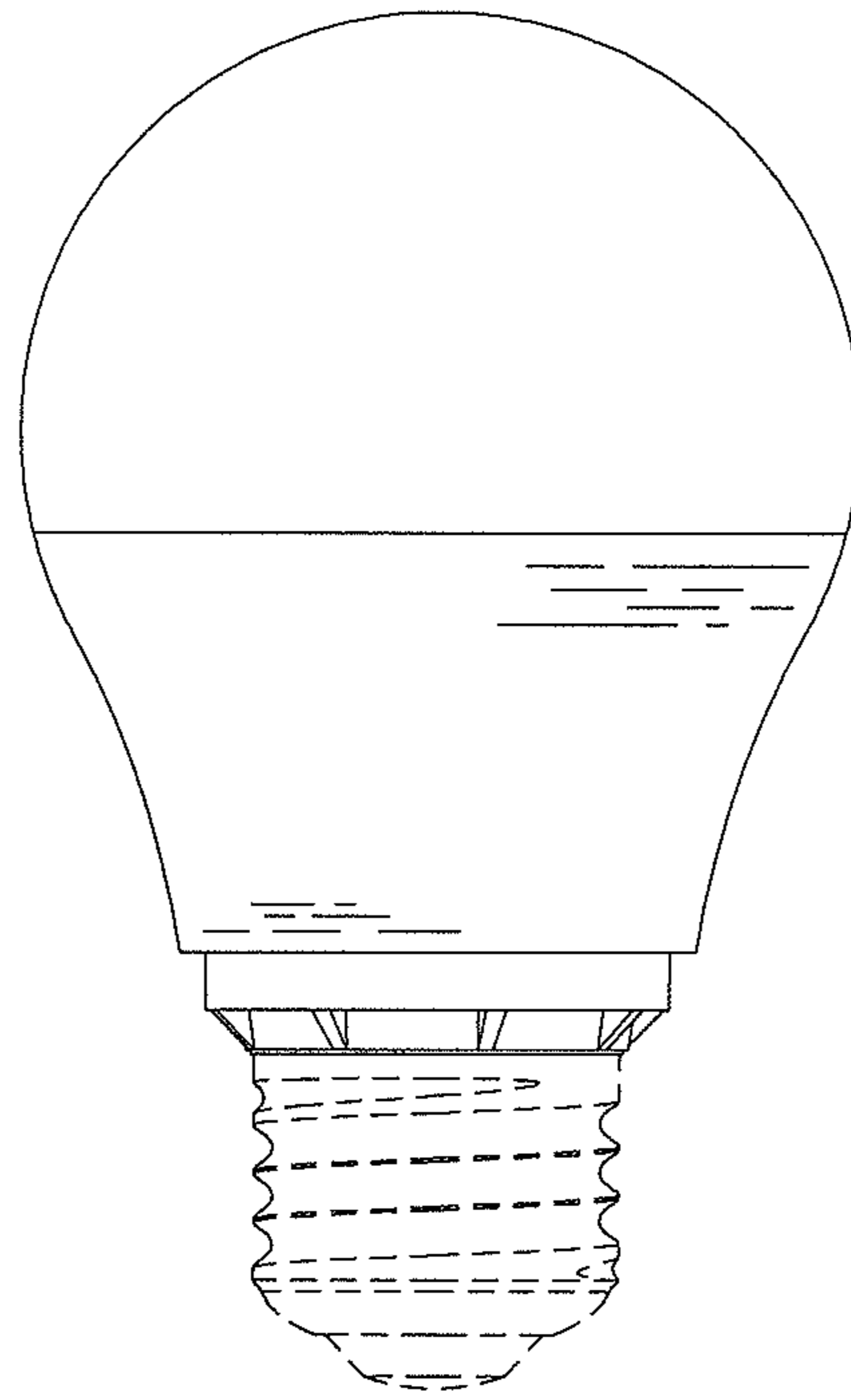


FIG.7

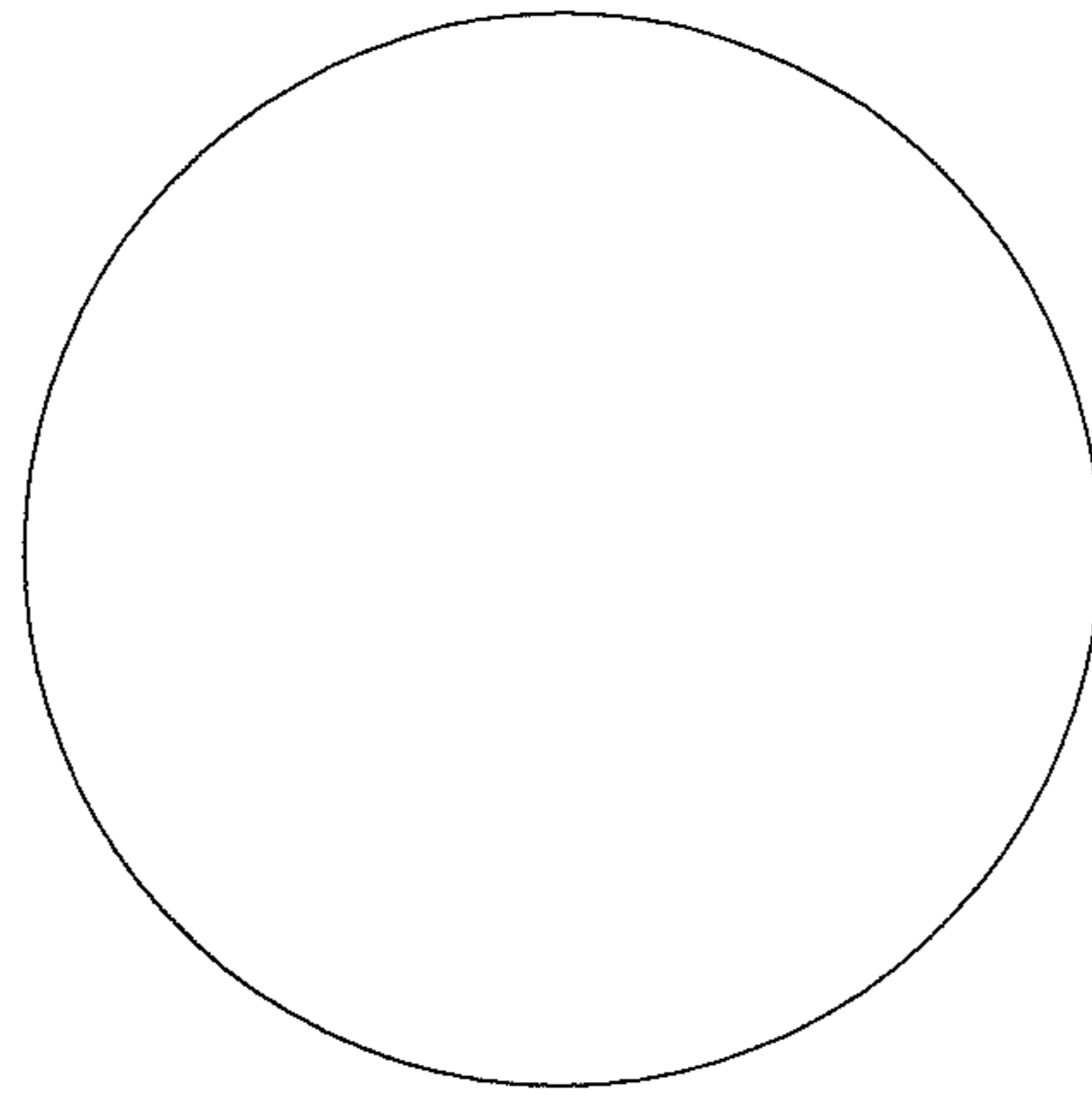


FIG. 8

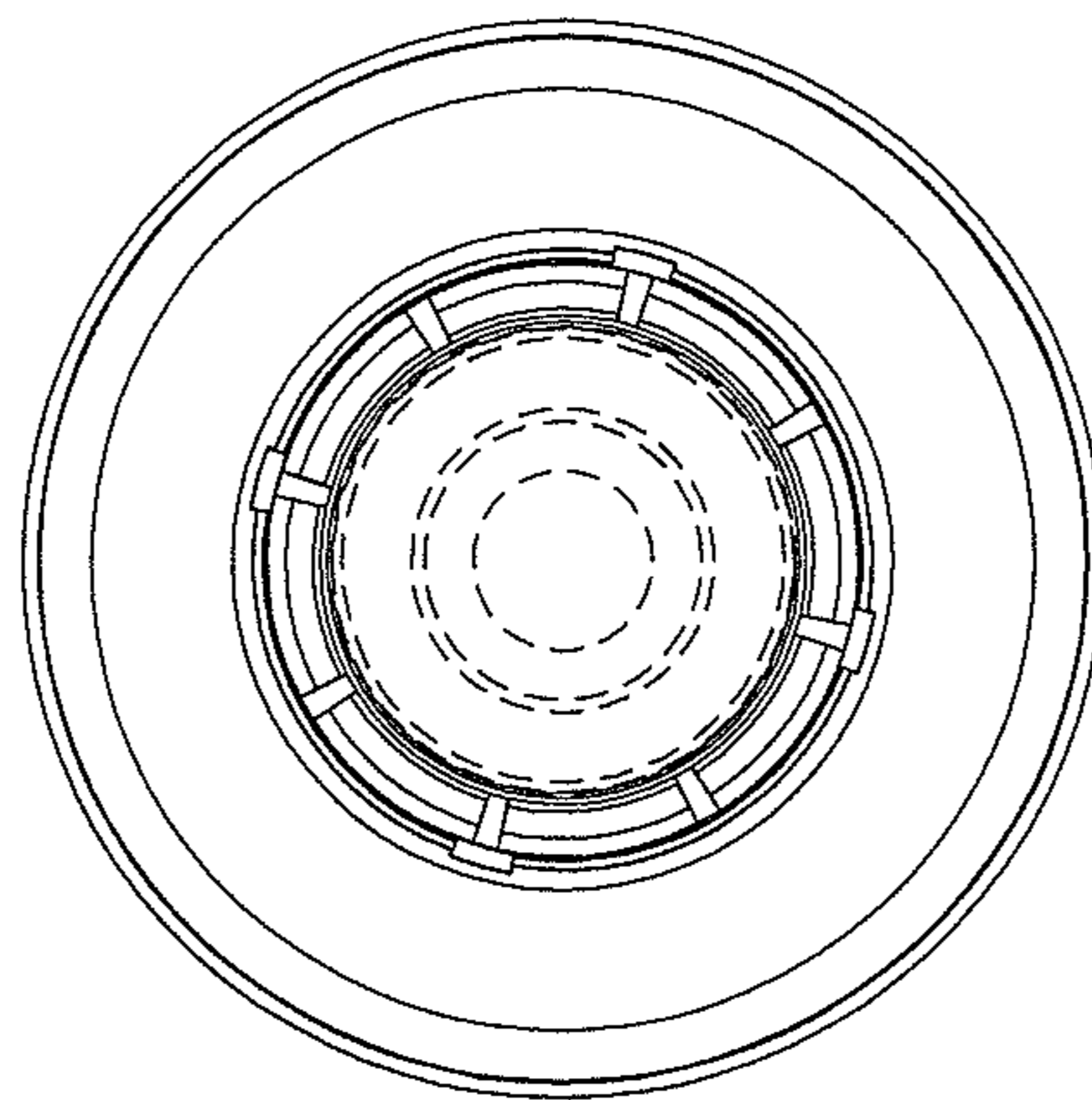


FIG. 9