



US00D719684S

(12) **United States Design Patent**
Grajcar

(10) **Patent No.:** **US D719,684 S**

(45) **Date of Patent:** **** Dec. 16, 2014**

(54) **LED LAMP**

D645,996 S * 9/2011 Wey et al. D26/2
D648,461 S * 11/2011 Kim et al. D26/2
D656,252 S * 3/2012 Engl et al. D26/2

(71) Applicant: **Once Innovations, Inc.**, Plymouth, MN
(US)

* cited by examiner

(72) Inventor: **Zdenko Grajcar**, Crystal, MN (US)

Primary Examiner — Marcus Jackson

(73) Assignee: **Once Innovations, Inc.**, Plymouth, MN
(US)

(57) **CLAIM**

The ornamental design for a LED lamp, as shown and described.

(**) Term: **14 Years**

DESCRIPTION

(21) Appl. No.: **29/443,715**

FIG. 1 is an elevated front perspective view of a LED lamp showing my new design;

(22) Filed: **Jan. 22, 2013**

FIG. 2 is a front bottom perspective view of a LED lamp of the lamp of FIG. 1 showing my design;

(51) **LOC (10) Cl.** **26-04**

FIG. 3 is a left side plan view of a LED lamp of the lamp of FIG. 1 showing my design;

(52) **U.S. Cl.**

USPC **D26/2**

FIG. 4 is a right side plan view of a LED lamp of the lamp of FIG. 1 showing my design;

(58) **Field of Classification Search**

USPC D26/1-4; 313/313, 315, 316, 317, 318,
313/493; 315/52, 53, 56, 57, 58

FIG. 5 is a bottom plan view of a LED lamp of the lamp of FIG. 1 showing my design; and,

See application file for complete search history.

FIG. 6 is a top plan view of a LED lamp of the lamp of FIG. 1 showing my design.

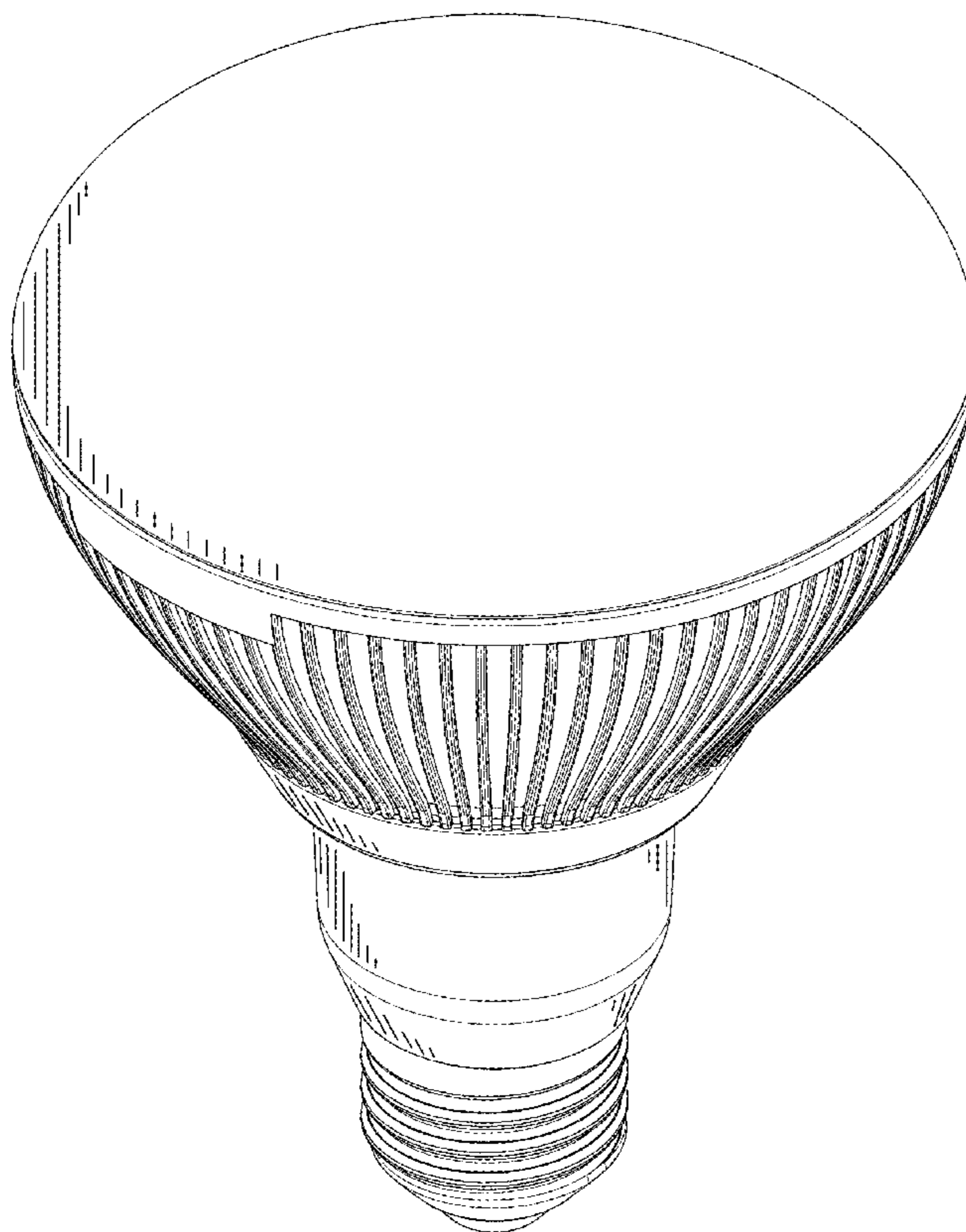
(56) **References Cited**

The claimed ornamental design is shown of a lamp assembly powered by an AC driver to supply power to a plurality of LEDs. The lamp assembly has an exterior that includes a heat sink and socket combination that appear as a BR 30 lamp type.

U.S. PATENT DOCUMENTS

D610,271 S * 2/2010 Bi D26/2
D616,120 S * 5/2010 Wada et al. D26/2
D629,930 S * 12/2010 Cotter et al. D26/2
D631,571 S * 1/2011 Bobel D26/2

1 Claim, 6 Drawing Sheets



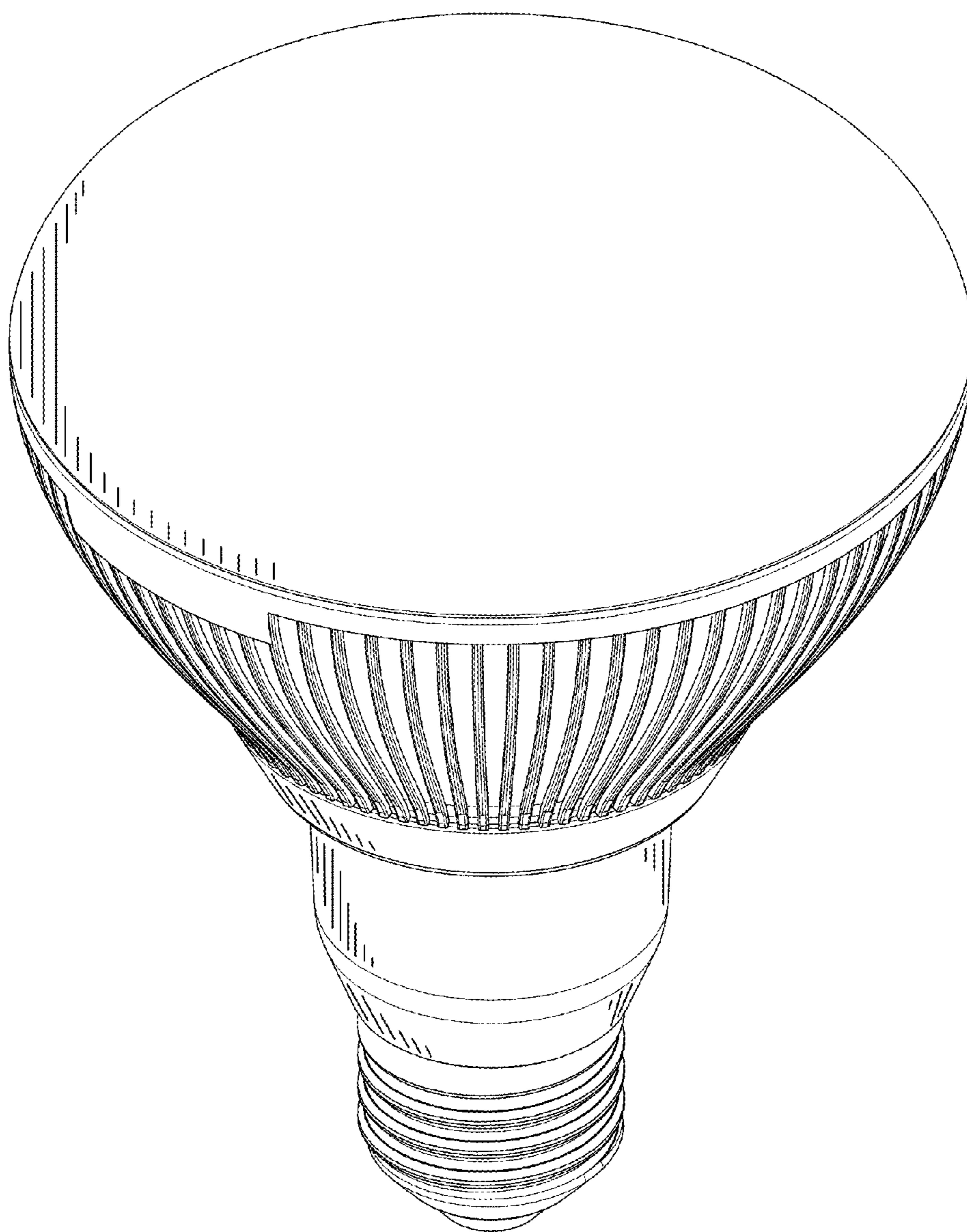


FIG. 1

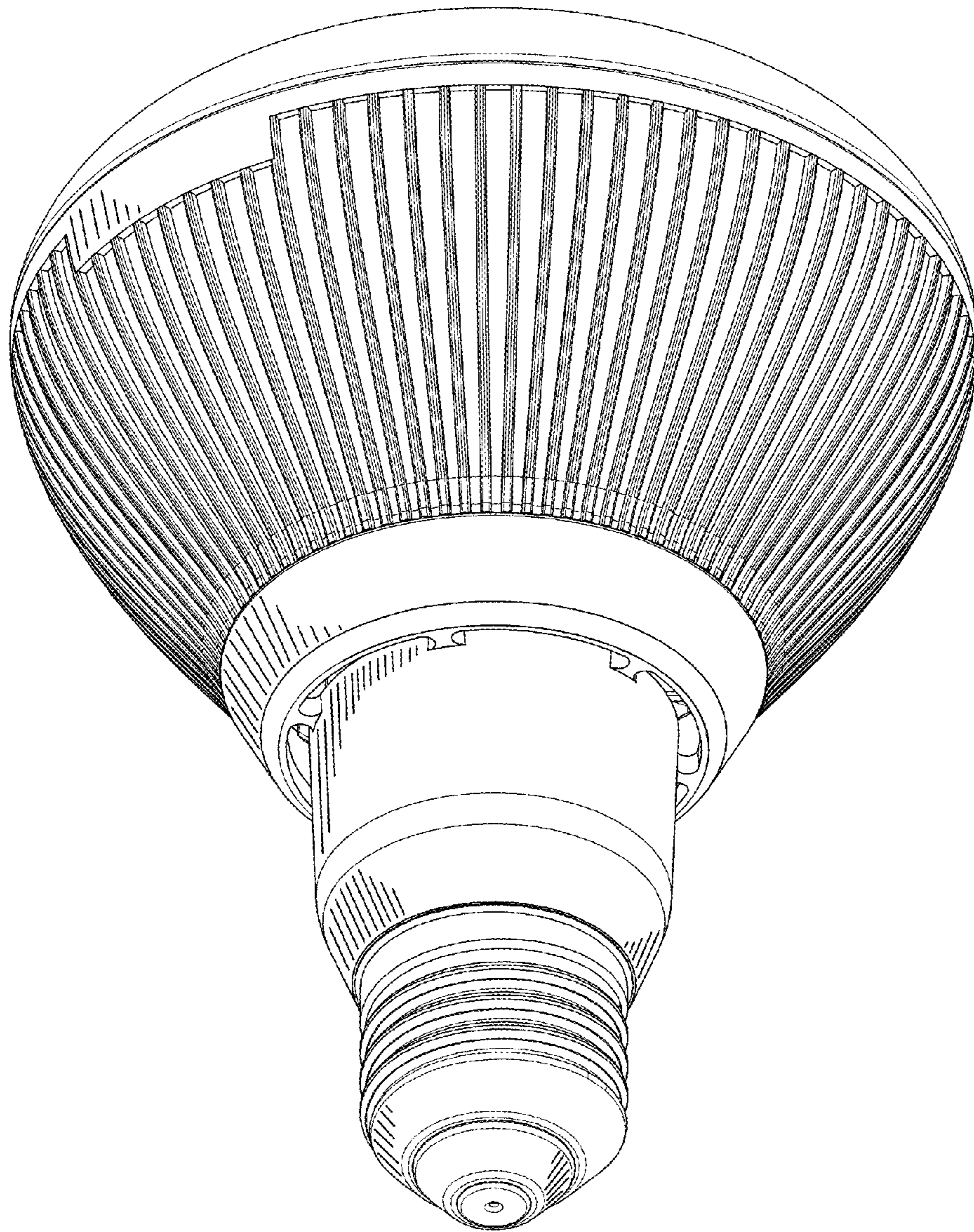


FIG. 2

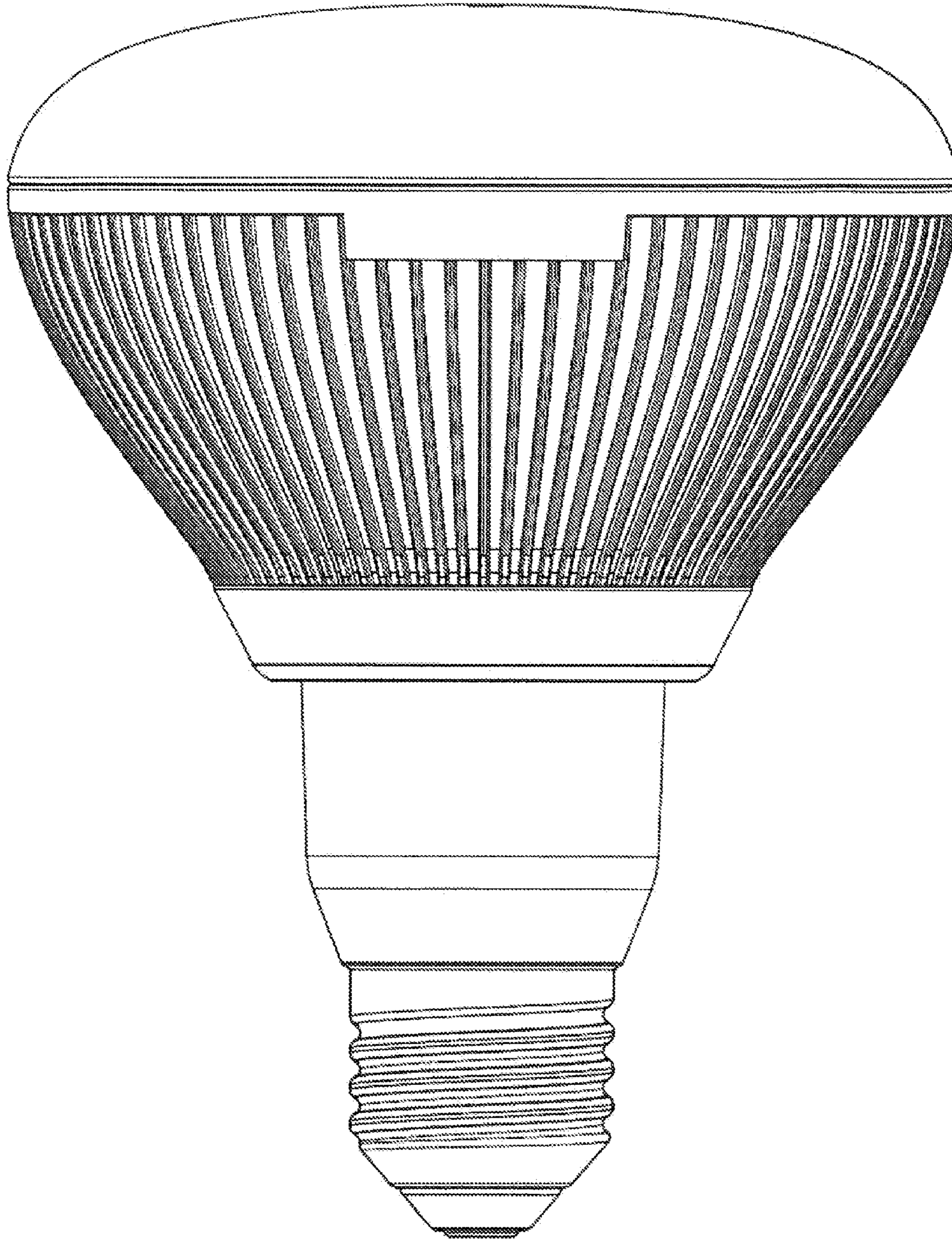


FIG. 3

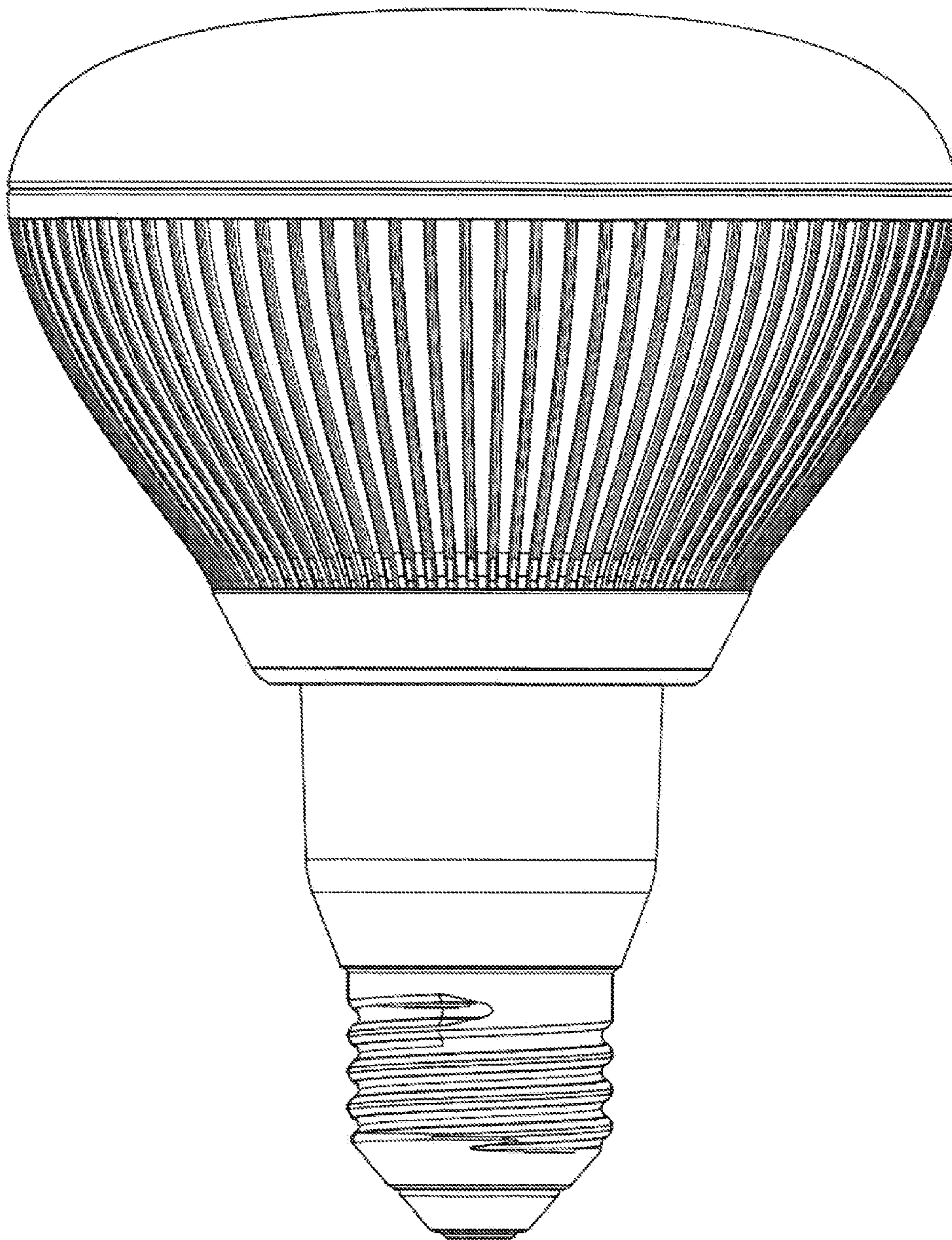


FIG. 4

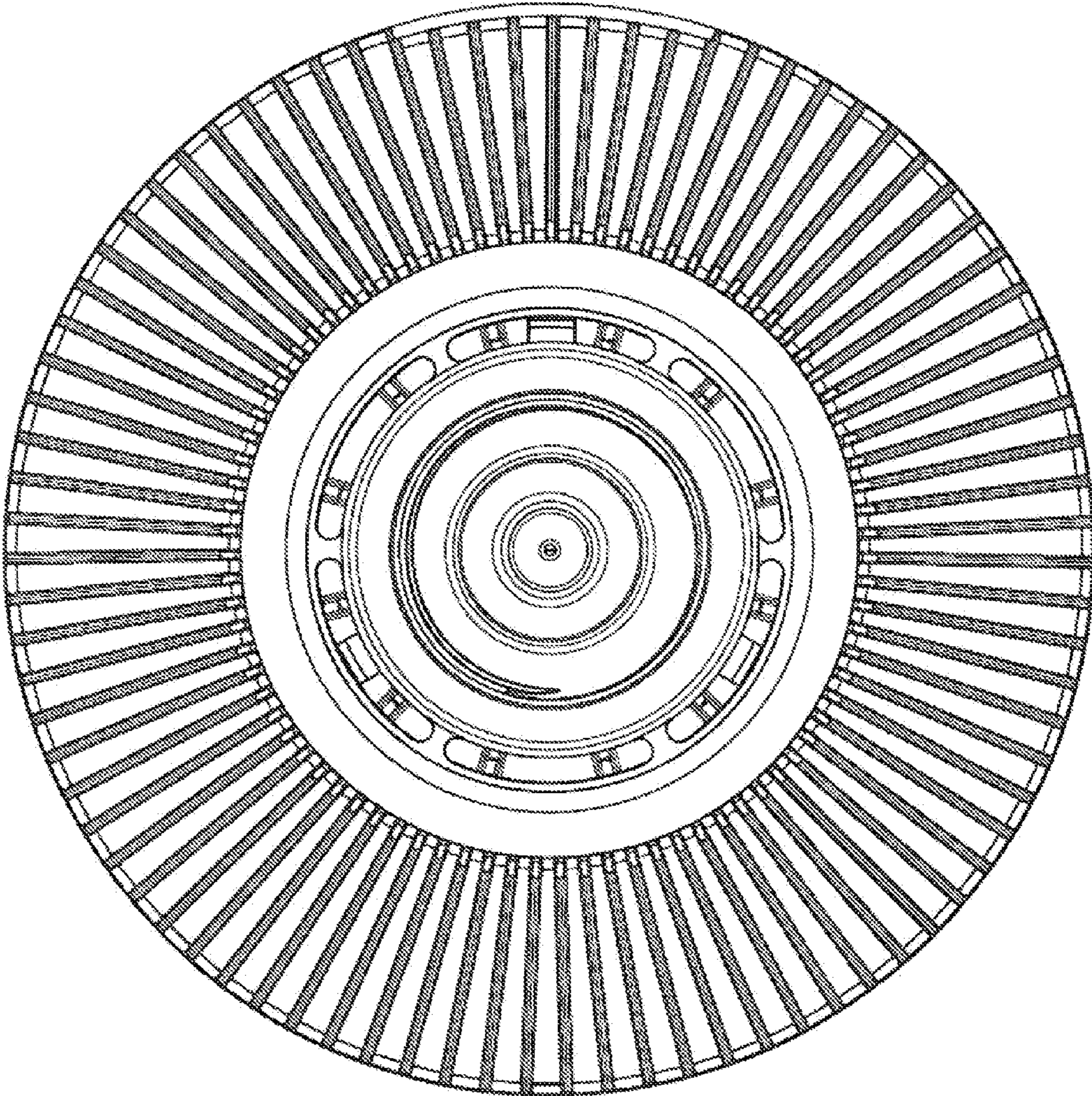


FIG. 5

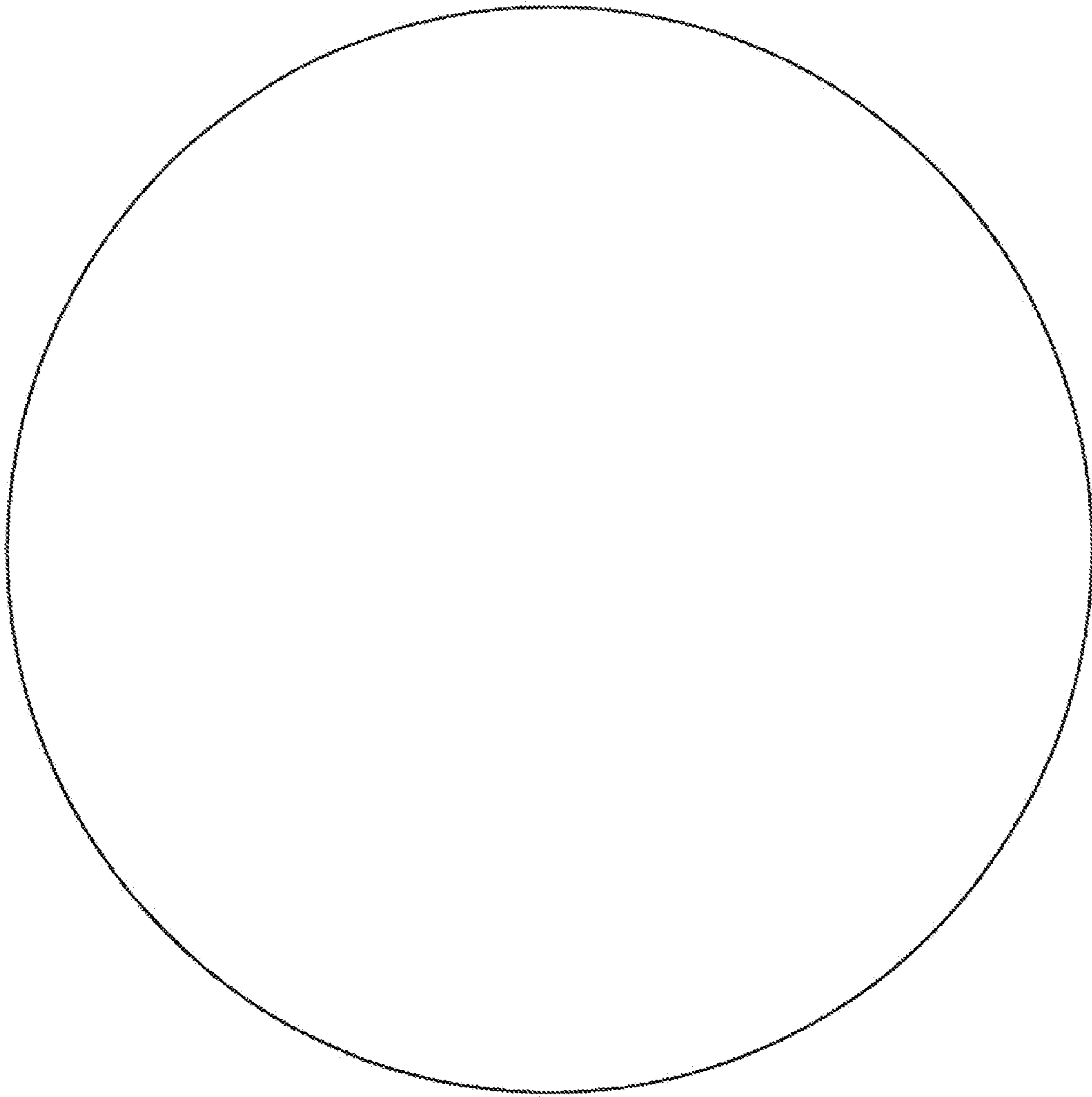


FIG. 6