



US00D719683S

(12) **United States Design Patent**
Fannan

(10) **Patent No.:** **US D719,683 S**
(45) **Date of Patent:** **** Dec. 16, 2014**

(54) **WINDOW COMPONENT EXTRUSION**

OTHER PUBLICATIONS

- (71) Applicant: **Mikron Industries, Inc.**, Kent, WA (US)
- (72) Inventor: **Michael R. Fannan**, Pecatonica, IL (US)
- (73) Assignee: **Mikron Industries, Inc.**, Kent, WA (US)
- (**) Term: **14 Years**
- (21) Appl. No.: **29/462,153**
- (22) Filed: **Jul. 31, 2013**
- (51) **LOC (10) Cl.** **25-01**
- (52) **U.S. Cl.**
USPC **D25/124**
- (58) **Field of Classification Search**
USPC 52/204.1, 213, 214, 215, 208, 206, 212,
52/717.01, 209, 204.72, 579; 49/DIG. 2,
49/501, 504, 395, 449, 180, 183;
D25/119, 124
See application file for complete search history.

- Mikron Part No. 8338, pre-dates 2009.
- Mikron Part No. 8339, pre-dates 2009.
- Mikron Part No. 8340, pre-dates 2009.
- Mikron Part No. 8383, pre-dates 2009.
- Mikron Part No. 8384, pre-dates 2009.
- Mikron Part No. 8495, pre-dates 2009.
- Mikron Part No. 8505, pre-dates 2009.
- Mikron Part No. 9375, pre-dates 2009.
- Mikron Part No. 9622, pre-dates 2009.
- Mikron Part No. 9959, pre-dates 2009.
- Mikron Part No. 10268, first sale date Jan. 27, 2011.

* cited by examiner

Primary Examiner — Doris Clark

(74) *Attorney, Agent, or Firm* — Zollinger & Burleson Ltd.

(57) **CLAIM**

The ornamental design for a window component extrusion, as shown and described.

(56) **References Cited**

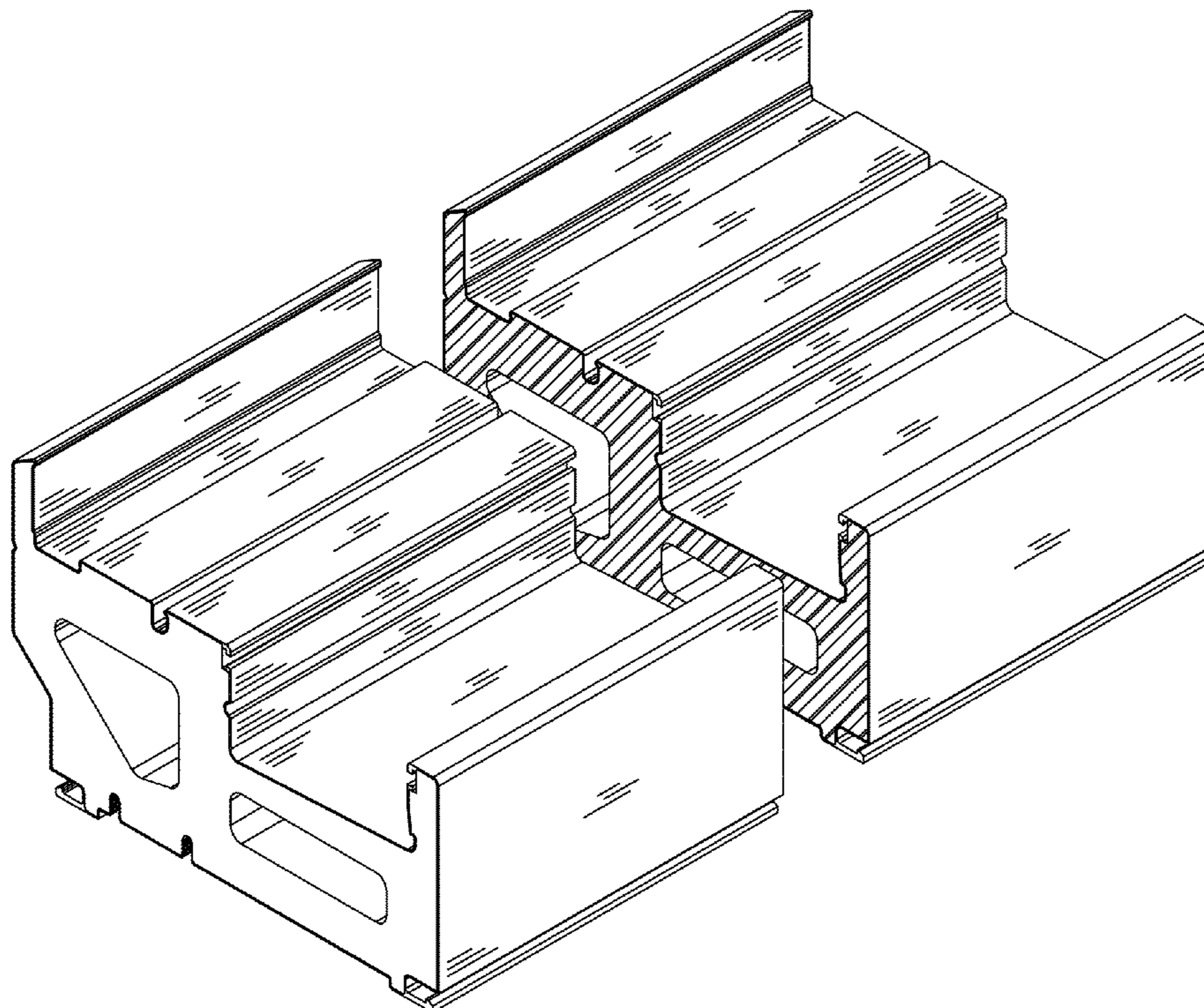
DESCRIPTION

U.S. PATENT DOCUMENTS

D430,309 S	8/2000	Goss	
D470,244 S	2/2003	Franson	
D476,091 S *	6/2003	Franson D25/124
D476,750 S *	7/2003	Franson D25/124
D504,958 S	5/2005	Cole	
D512,164 S	11/2005	Schrader	
2004/0255527 A1 *	12/2004	Chen 52/204.1

FIG. 1 is a top perspective view of the window component extrusion which is broken in the center indicating indeterminate length; and, FIG. 2 is a bottom perspective view of the window component extrusion shown in FIG. 1.

1 Claim, 1 Drawing Sheet



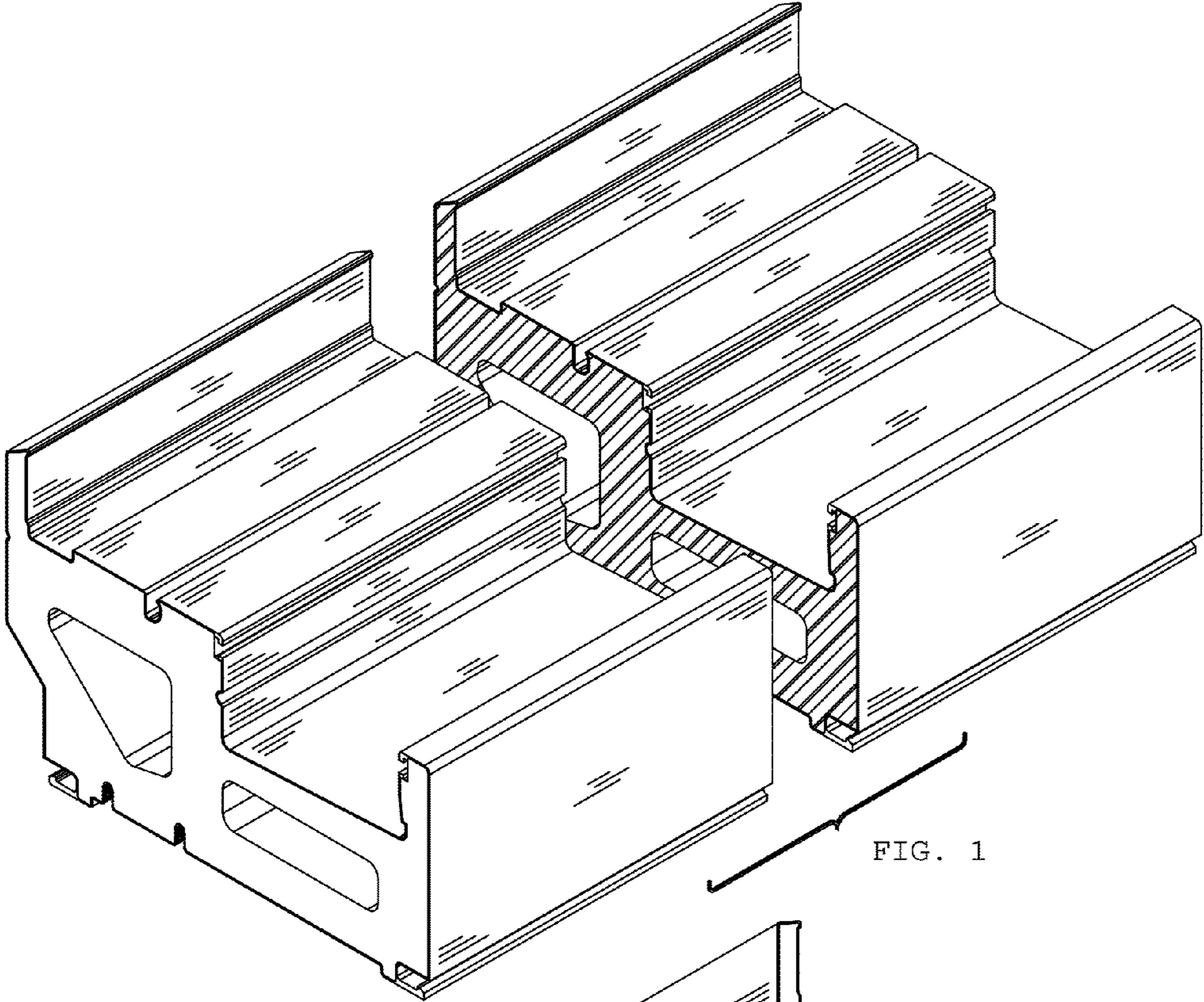


FIG. 1

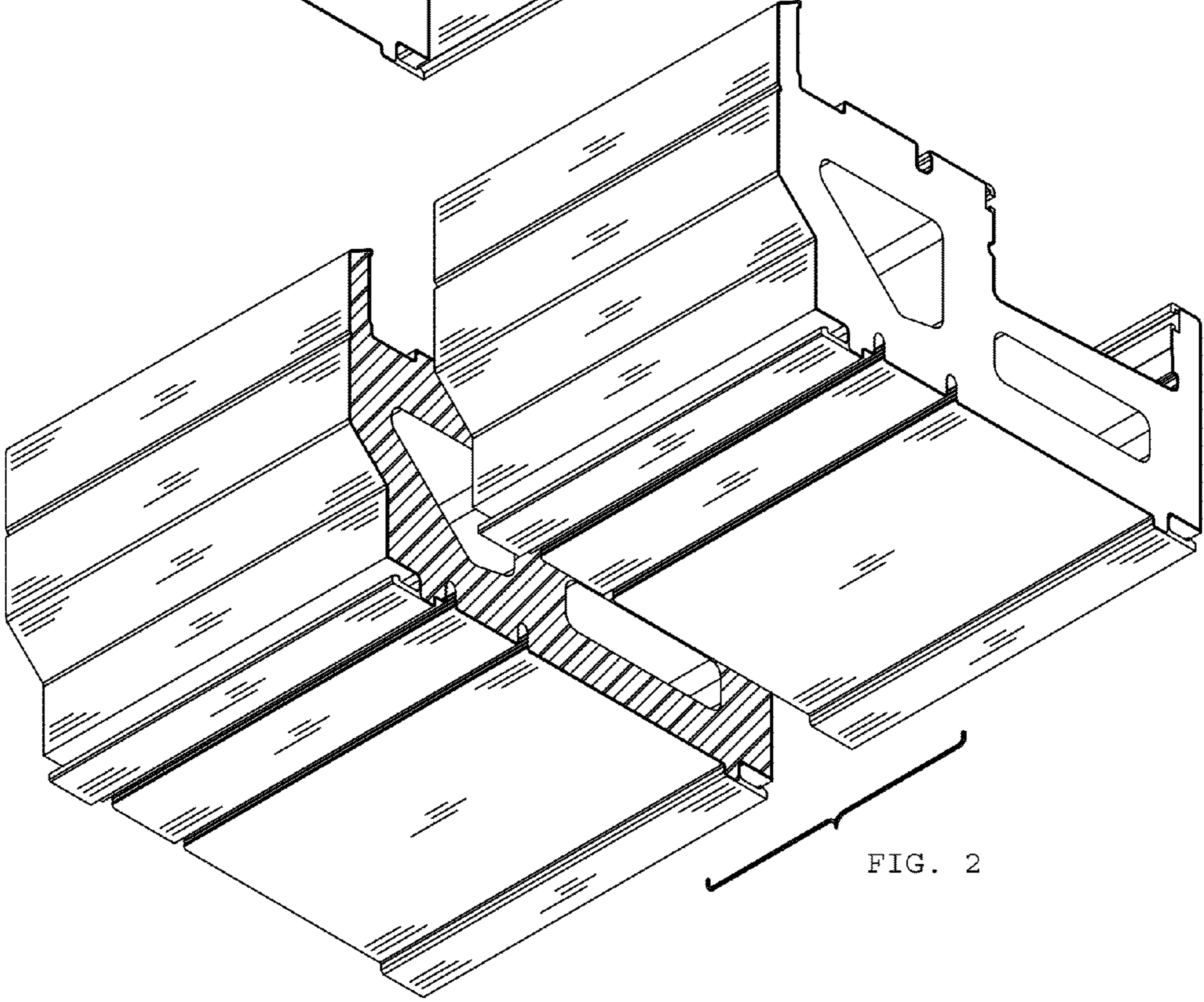


FIG. 2