



US00D719681S

(12) **United States Design Patent**
Gray

(10) **Patent No.:** **US D719,681 S**

(45) **Date of Patent:** **** Dec. 16, 2014**

(54) **SUPPORT STEP**

(71) Applicant: **Ronald E. Gray**, Sequim, WA (US)

(72) Inventor: **Ronald E. Gray**, Sequim, WA (US)

(**) Term: **14 Years**

(21) Appl. No.: **29/452,741**

(22) Filed: **Apr. 21, 2013**

(51) **LOC (10) Cl.** **25-04**

(52) **U.S. Cl.**
USPC **D25/69**

(58) **Field of Classification Search**
USPC D25/68, 62, 69; 182/134, 136, 221
See application file for complete search history.

(56) **References Cited**

U.S. PATENT DOCUMENTS

D351,030	S	*	9/1994	Laughlin et al.	D25/69
5,417,306	A	*	5/1995	Robl	182/134
D417,012	S	*	11/1999	Davenport et al.	D25/69
6,041,891	A	*	3/2000	Fullam et al.	182/134

* cited by examiner

Primary Examiner — Doris Clark

(74) *Attorney, Agent, or Firm* — QuickPatents; Kevin Prince

(57) **CLAIM**

I claim the ornamental design for a support step, as shown and described.

DESCRIPTION

FIG. 1 is a perspective view of a support step, showing my new design;

FIG. 2 is an enlarged perspective view thereof;

FIG. 3 is a right-side elevational view of FIG. 2;

FIG. 4 is a left-side elevational view of FIG. 2;

FIG. 5 is a front elevational view of FIG. 2;

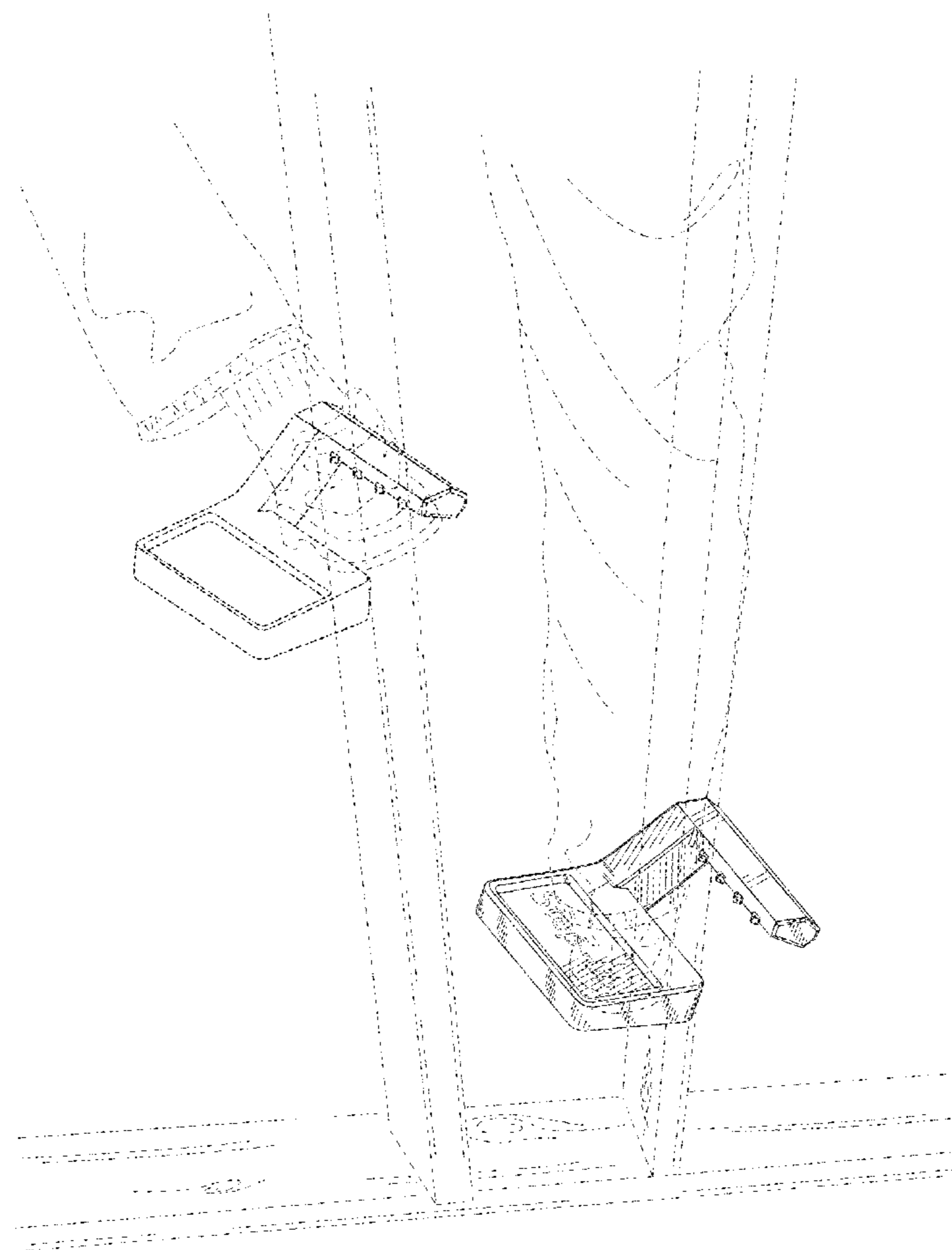
FIG. 6 is a rear elevational view of FIG. 2;

FIG. 7 is a top plan view of FIG. 2; and,

FIG. 8 is a bottom plan view of FIG. 2.

The broken lines showing a person using two of the designs on two wooden studs in FIG. 1, the text shown on the FIGS. 1, 7 and 8, and the areas bordered by broken lines in FIGS. 3, 5 and 8 depict environmental matter and form no part of the claimed design.

1 Claim, 4 Drawing Sheets



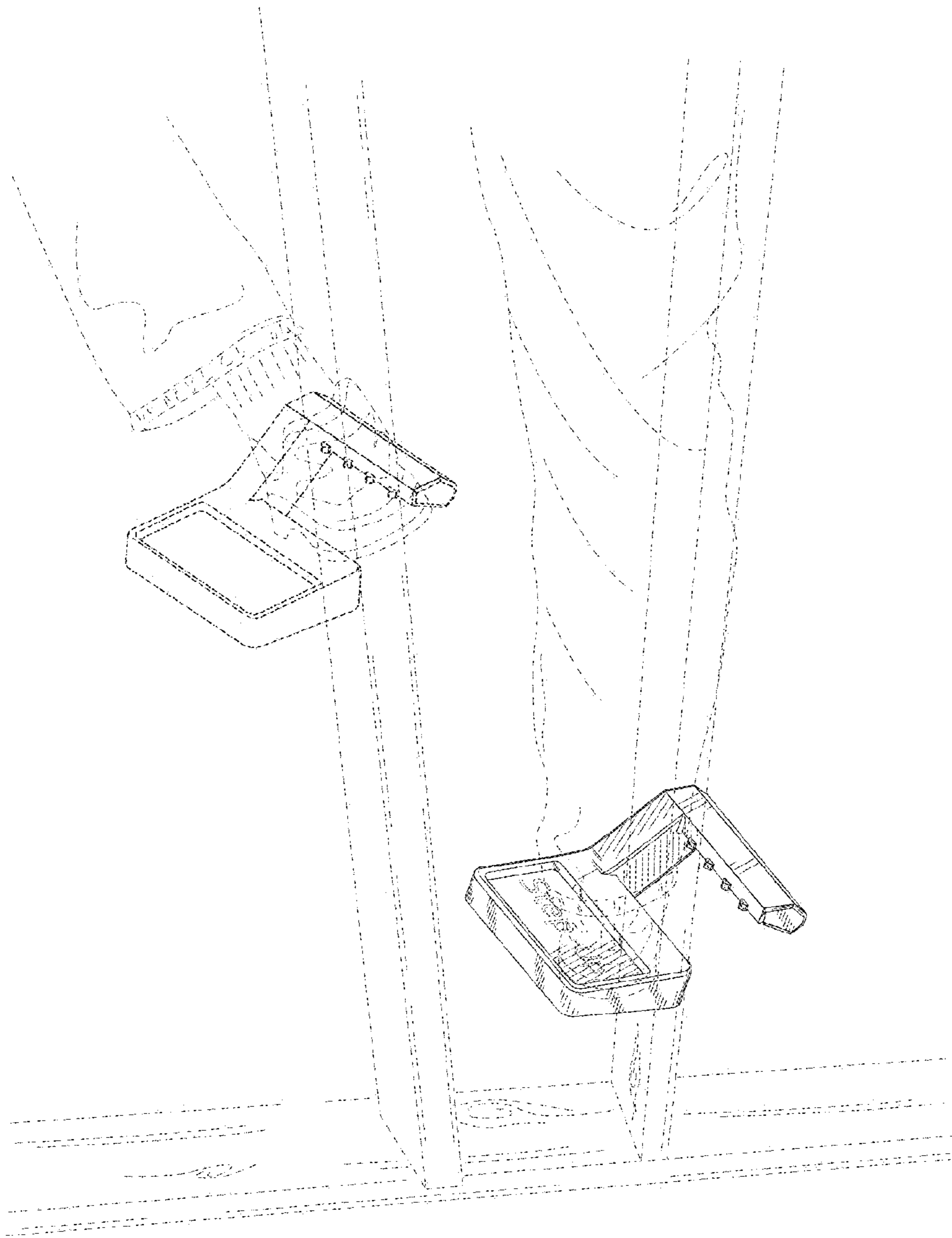


FIG. 1

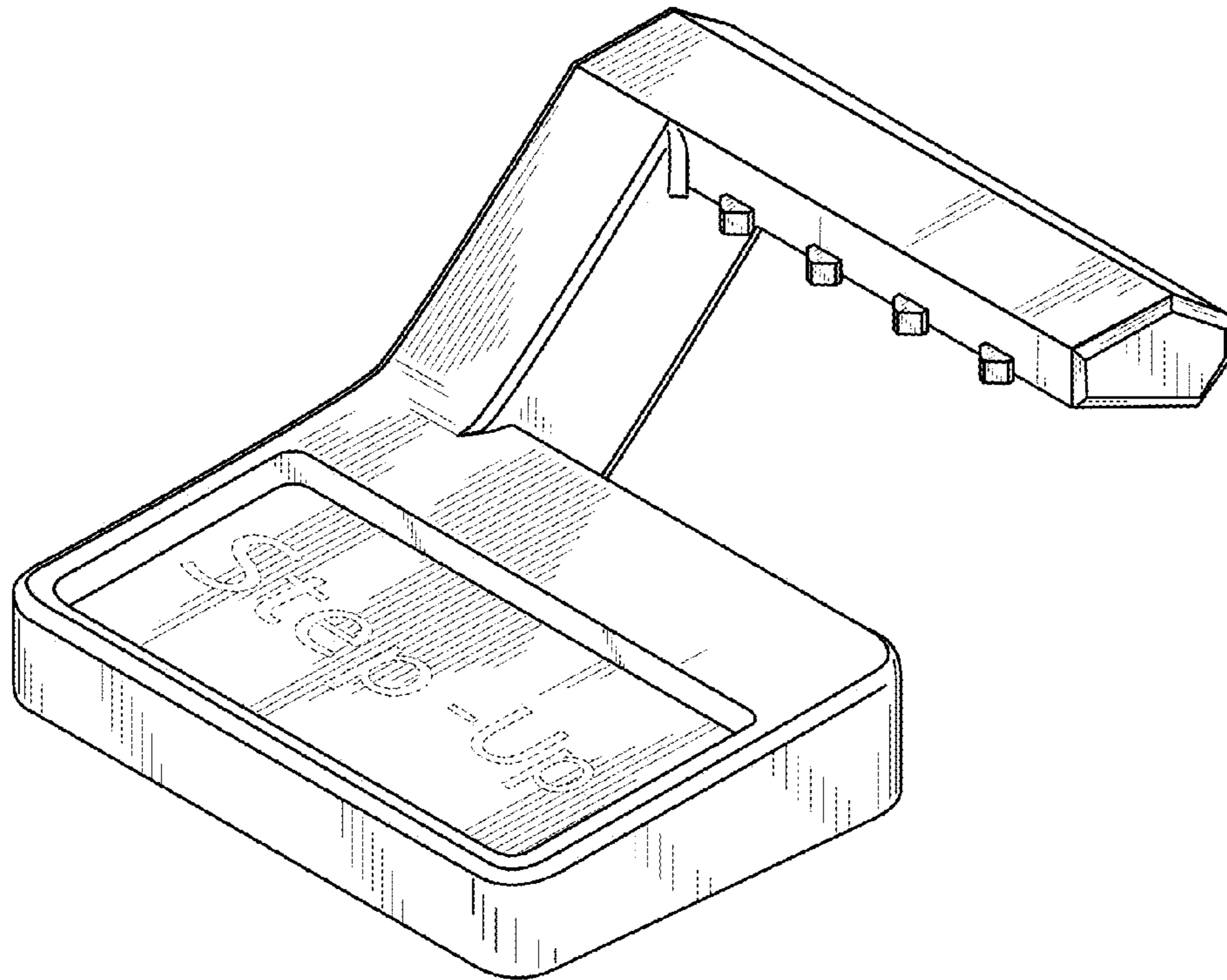


FIG. 2

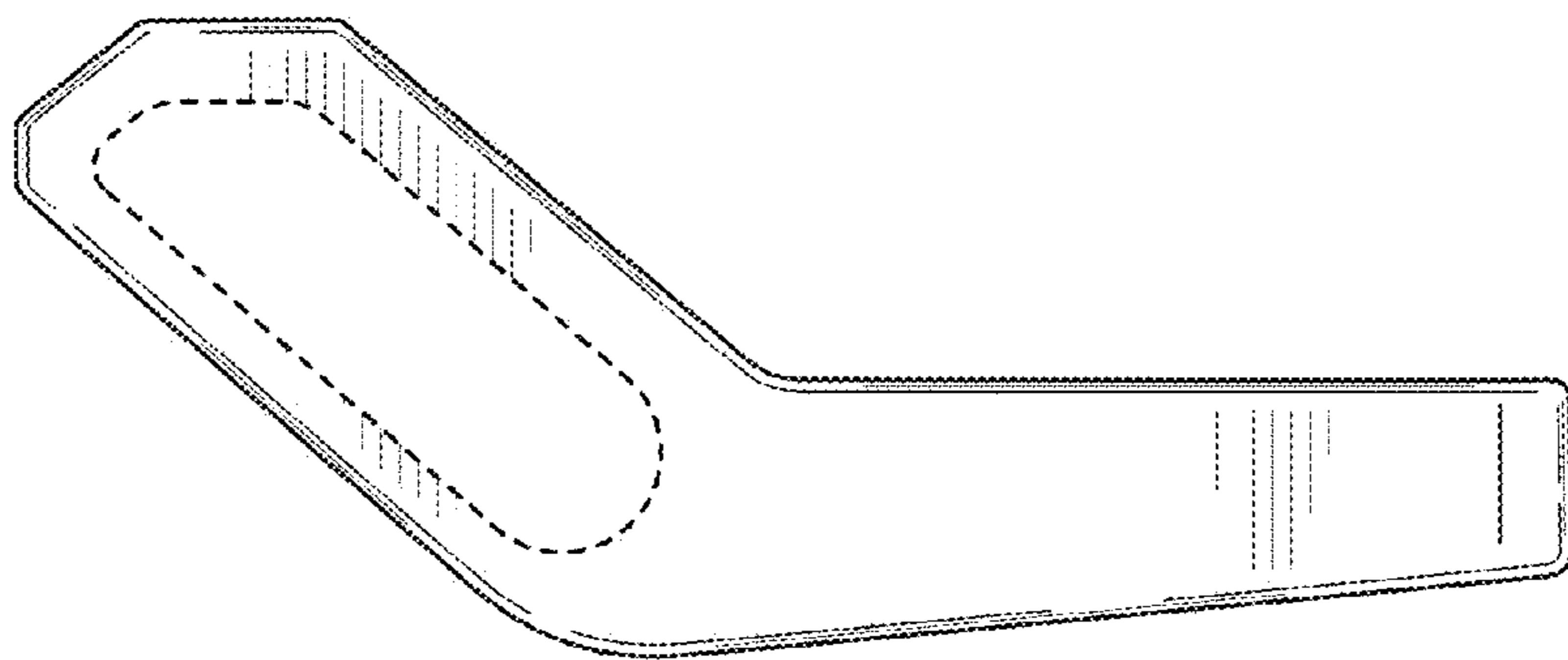


FIG. 3

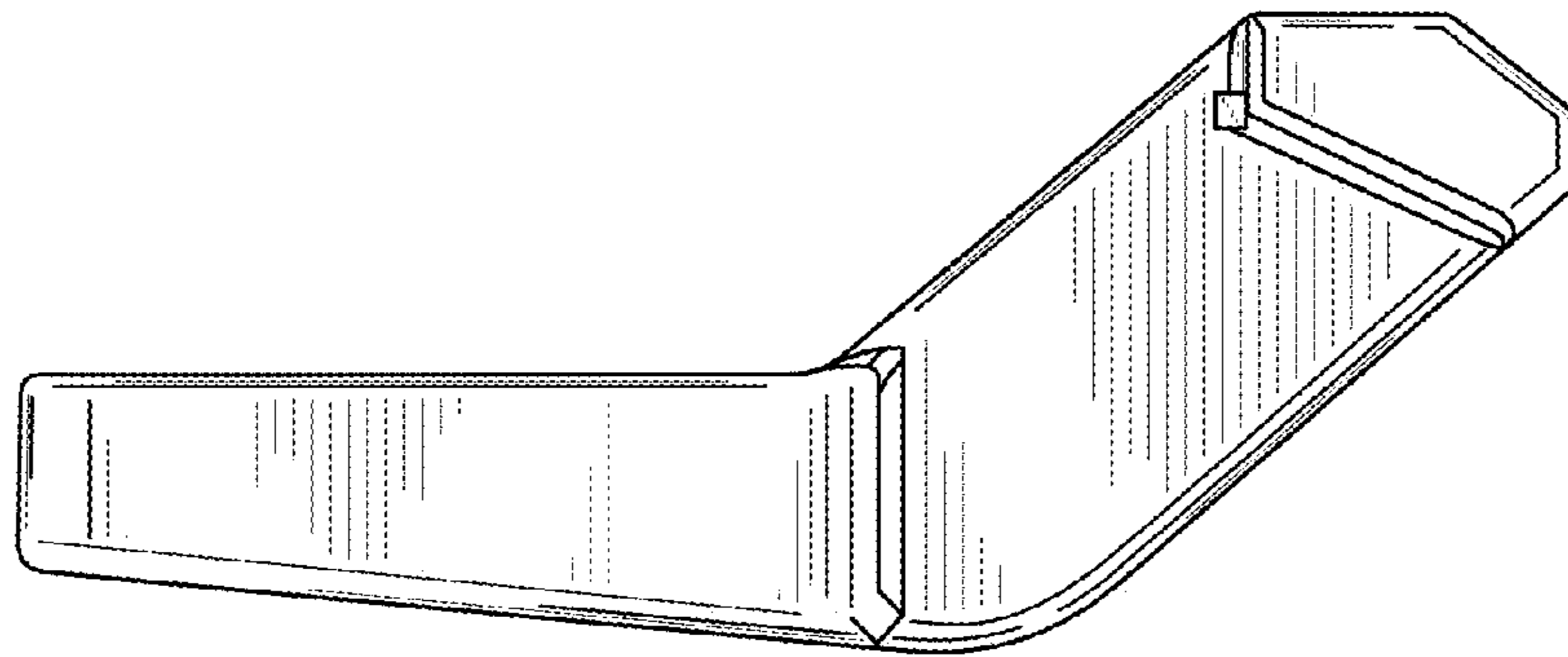


FIG. 4

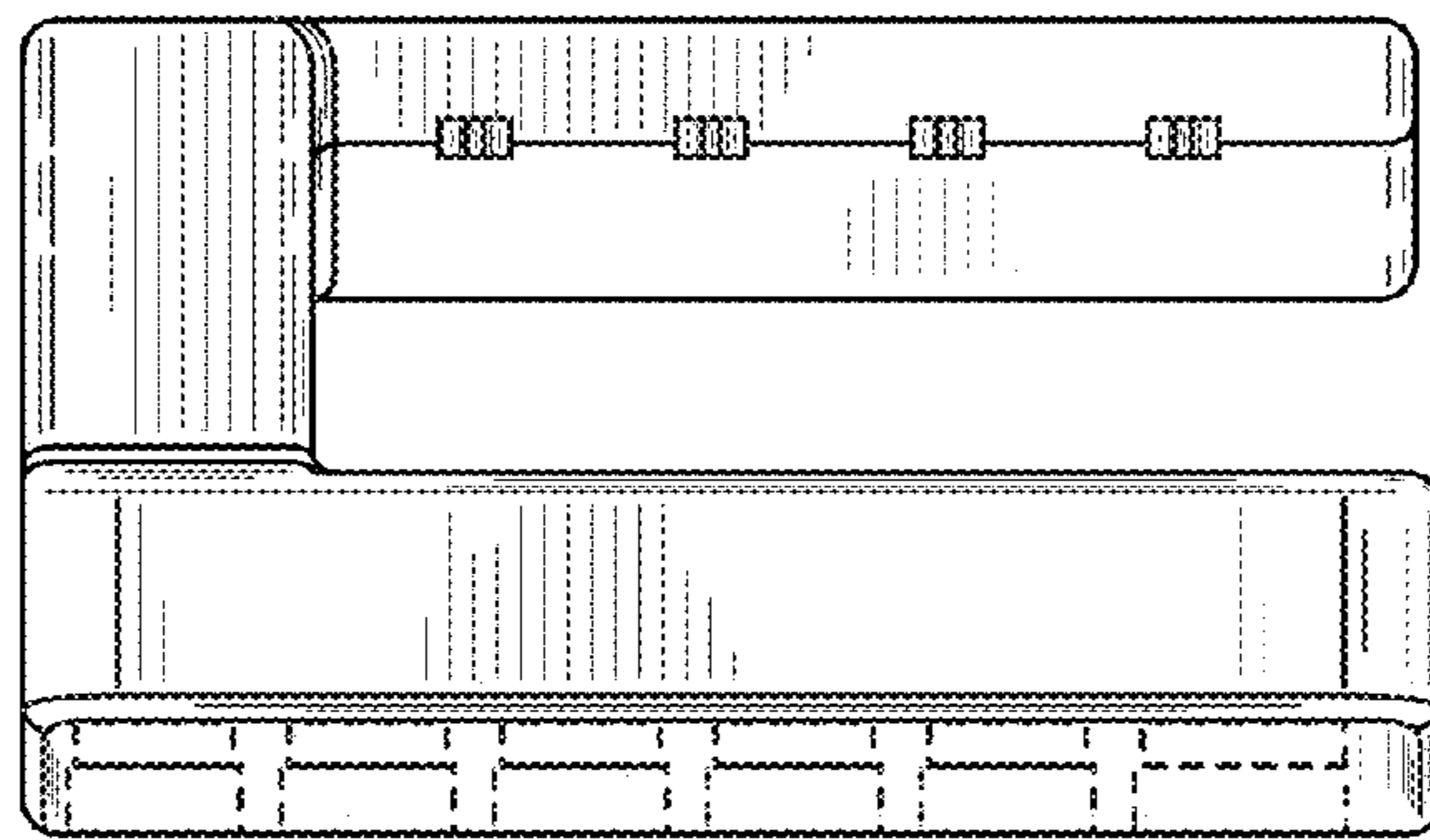


FIG. 5

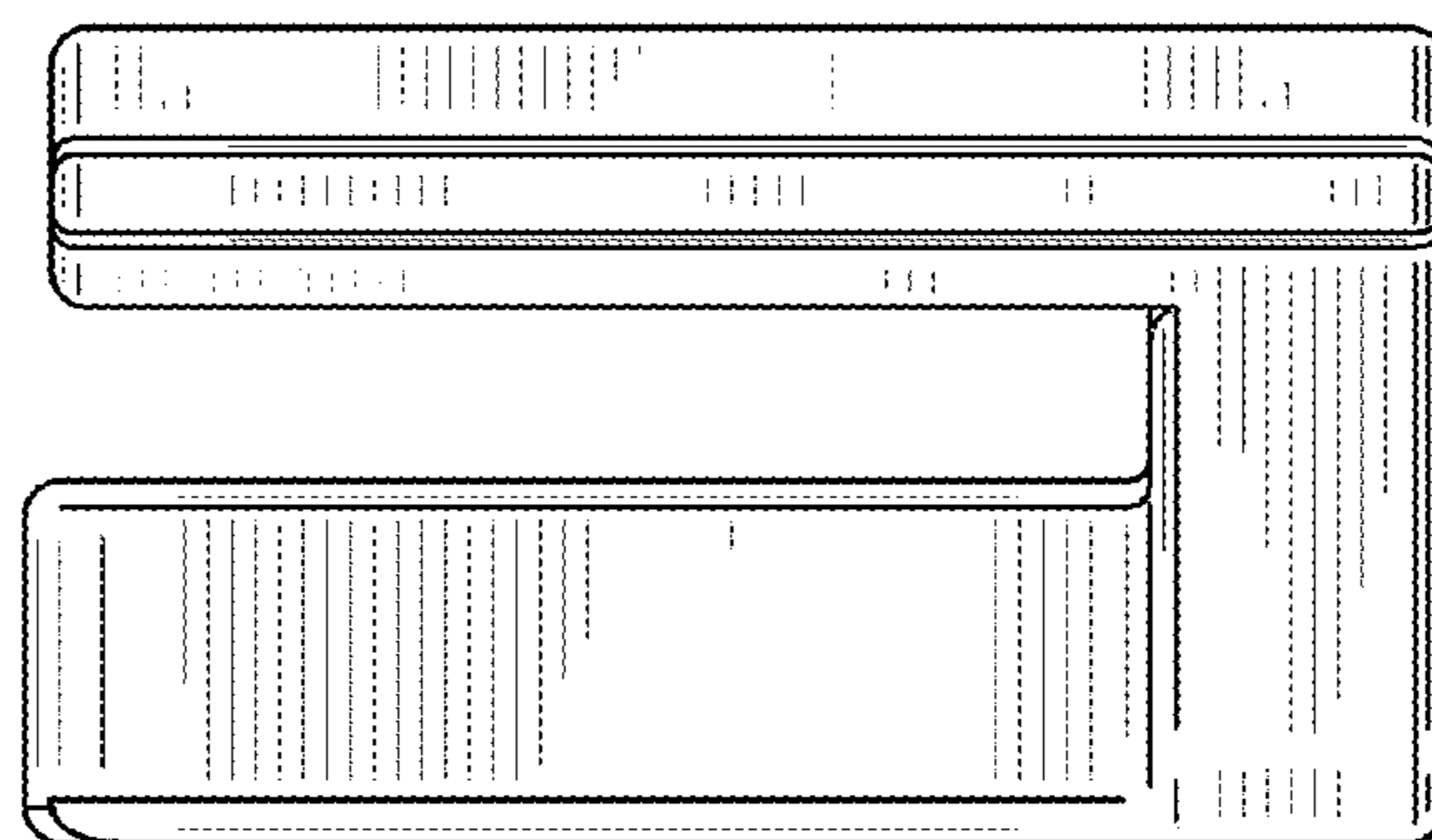


FIG. 6

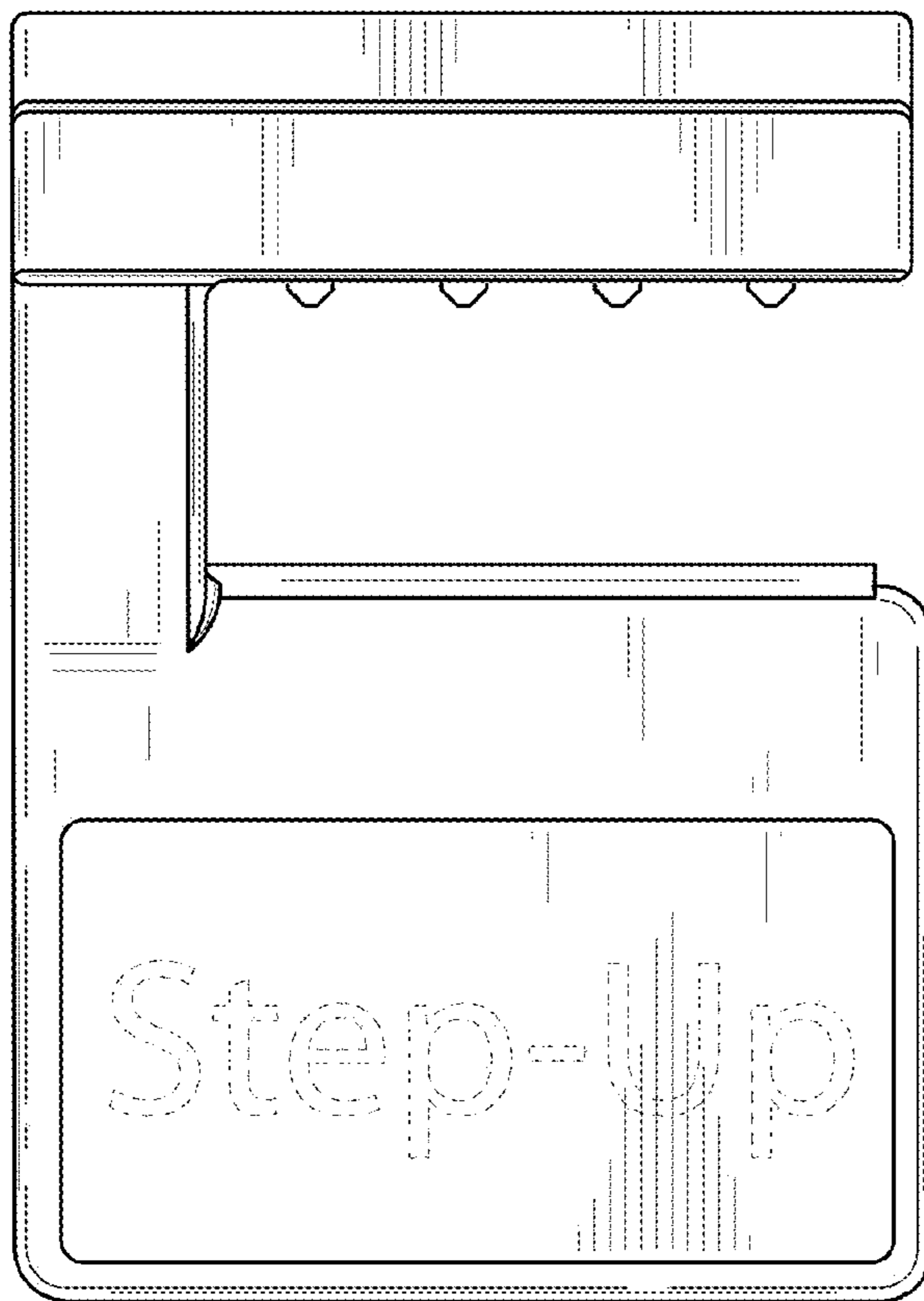


FIG. 7

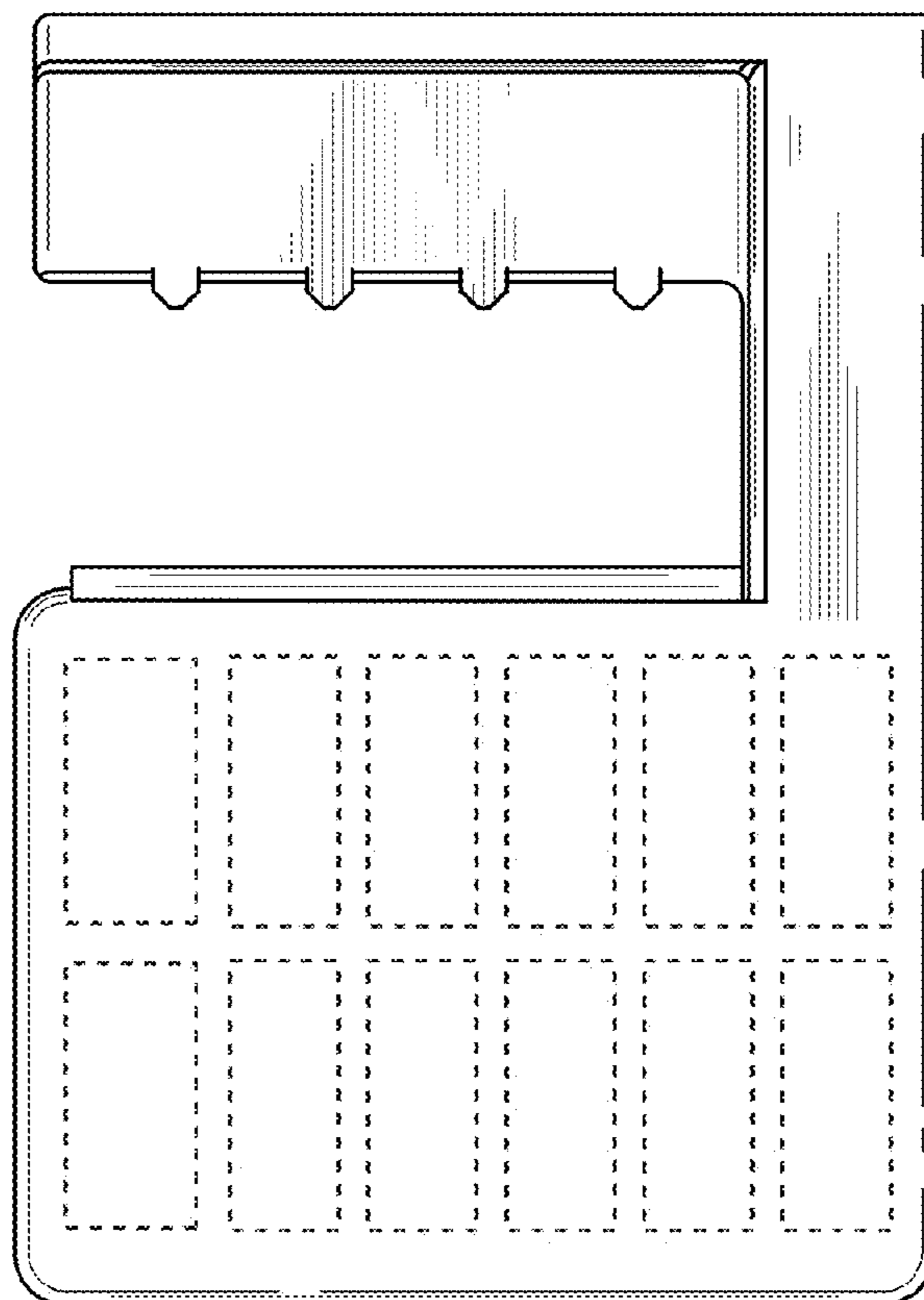


FIG. 8