

US00D719676S

(12) **United States Design Patent**
Rostek

(10) **Patent No.:** **US D719,676 S**

(45) **Date of Patent:** **** Dec. 16, 2014**

(54) **UNIVERSAL CABIN WITH A ROOF**

(71) Applicant: **Alois Rostek**, Cracow (PL)

(72) Inventor: **Alois Rostek**, Cracow (PL)

(73) Assignee: **Rosco Polska SP. Z O.O.**, Cracow (PL)

(**) Term: **14 Years**

(21) Appl. No.: **29/459,473**

(22) Filed: **Jun. 28, 2013**

(30) **Foreign Application Priority Data**

Mar. 8, 2013 (PL) W.121819

Mar. 13, 2013 (EM) 002201798-0002

(51) **LOC (10) Cl.** **25-03**

(52) **U.S. Cl.**
USPC **D25/17; D25/31**

(58) **Field of Classification Search**
USPC D25/1-33; 52/36.1, 79.1-79.5, 169.6,
52/80.1, 80.2, 90.1, 90.2, 91.1, 91.2, 91.3,
52/92.1-92.3, 93.1, 93.2; D21/458;
D15/1, 5
See application file for complete search history.

(56) **References Cited**

U.S. PATENT DOCUMENTS

D126,708	S	*	4/1941	Pierson	D25/18
D144,166	S	*	3/1946	Du Brie	D15/5
D185,669	S	*	7/1959	Kaestner	D25/18
2,988,810	A	*	6/1961	Wilken	52/86
3,200,546	A	*	8/1965	Losak	52/94
D276,185	S	*	10/1984	Stewart, Jr.	D25/31
4,555,877	A	*	12/1985	Libra	52/79.4
D376,854	S	*	12/1996	DiPaolo et al.	D25/18
D384,751	S	*	10/1997	Tagg	D25/16
D385,042	S	*	10/1997	Cooke	D25/1

D410,093	S	*	5/1999	Stead	D25/16
D412,625	S	*	8/1999	Montague et al.	D6/421
D444,570	S	*	7/2001	Pilosi et al.	D25/16
D447,814	S	*	9/2001	Swagel et al.	D25/16
6,345,957	B1	*	2/2002	Szpur	416/197 A
6,668,392	B2	*	12/2003	Mason	4/449
D500,144	S	*	12/2004	Tseng	D25/56
D512,158	S	*	11/2005	Schlosser et al.	D25/33
D521,155	S	*	5/2006	Shipard	D25/16
7,715,175	B2	*	5/2010	De La Fuente	361/602
D637,555	S	*	5/2011	Rodriguez	D13/115
D672,054	S	*	12/2012	Mertik et al.	D25/18
D687,969	S	*	8/2013	Randol et al.	D25/18
D700,684	S	*	3/2014	Madenci	D23/274

FOREIGN PATENT DOCUMENTS

AU	2006200662	A1	9/2006
BE	2007/0323		3/2009
GR	2008/0100255		9/2009
WO	2006/071186	A1	8/2005

* cited by examiner

Primary Examiner — Garth Rademaker

Assistant Examiner — Samantha Q Lawrence

(74) *Attorney, Agent, or Firm* — Andrew Malarz

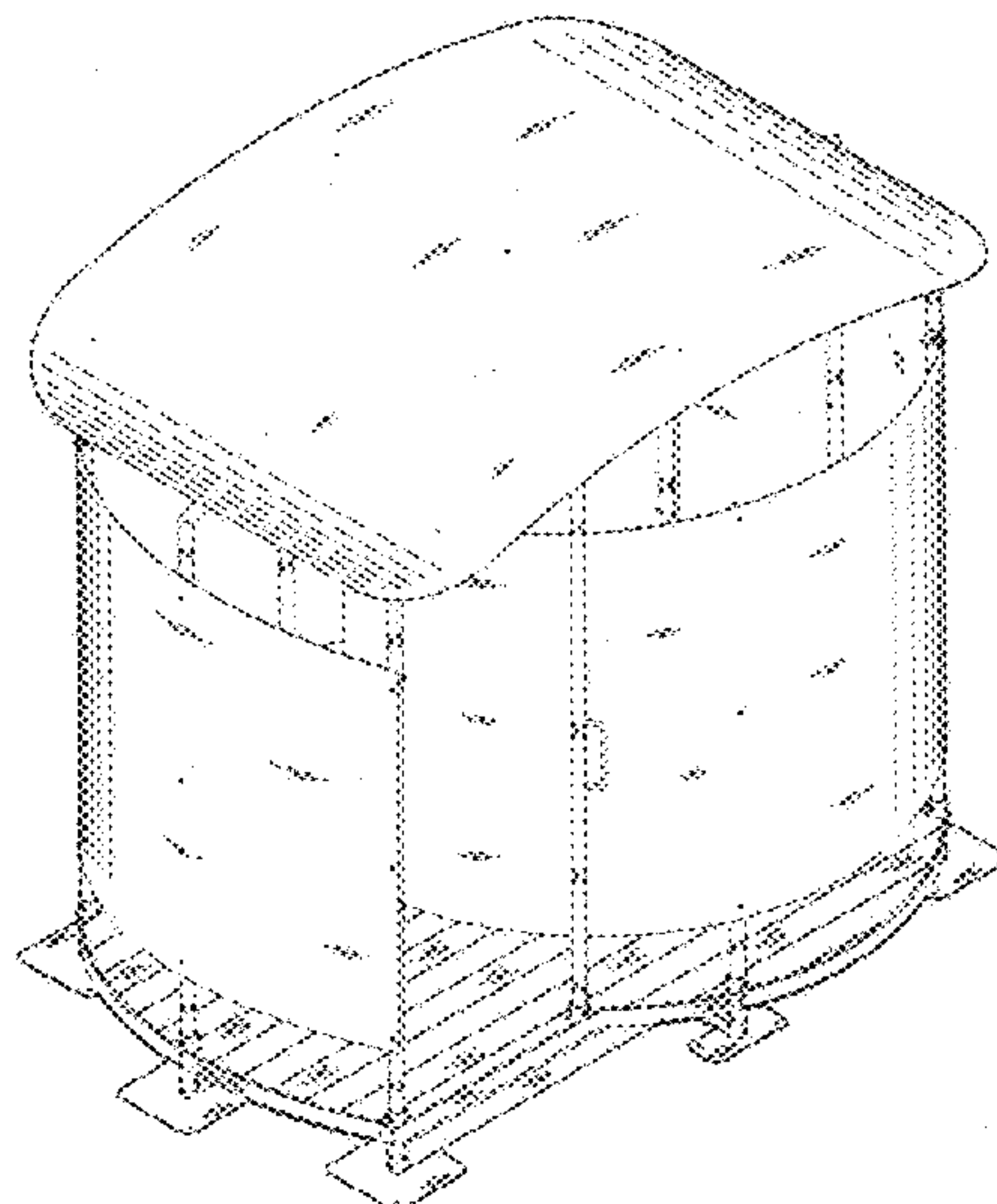
(57) **CLAIM**

The ornamental design for a universal cabin with a roof, as shown and described.

DESCRIPTION

FIG. 1 is a top, front, left side perspective view of a universal cabin with roof showing my new design;
FIG. 2 is a bottom, front, left side perspective view thereof;
FIG. 3 is a top, front, right side perspective view thereof;
FIG. 4 is a front elevational view thereof;
FIG. 5 is a left side elevational view thereof;
FIG. 6 is a top plan view thereof; and,
FIG. 7 is a bottom plan view thereof.

1 Claim, 7 Drawing Sheets



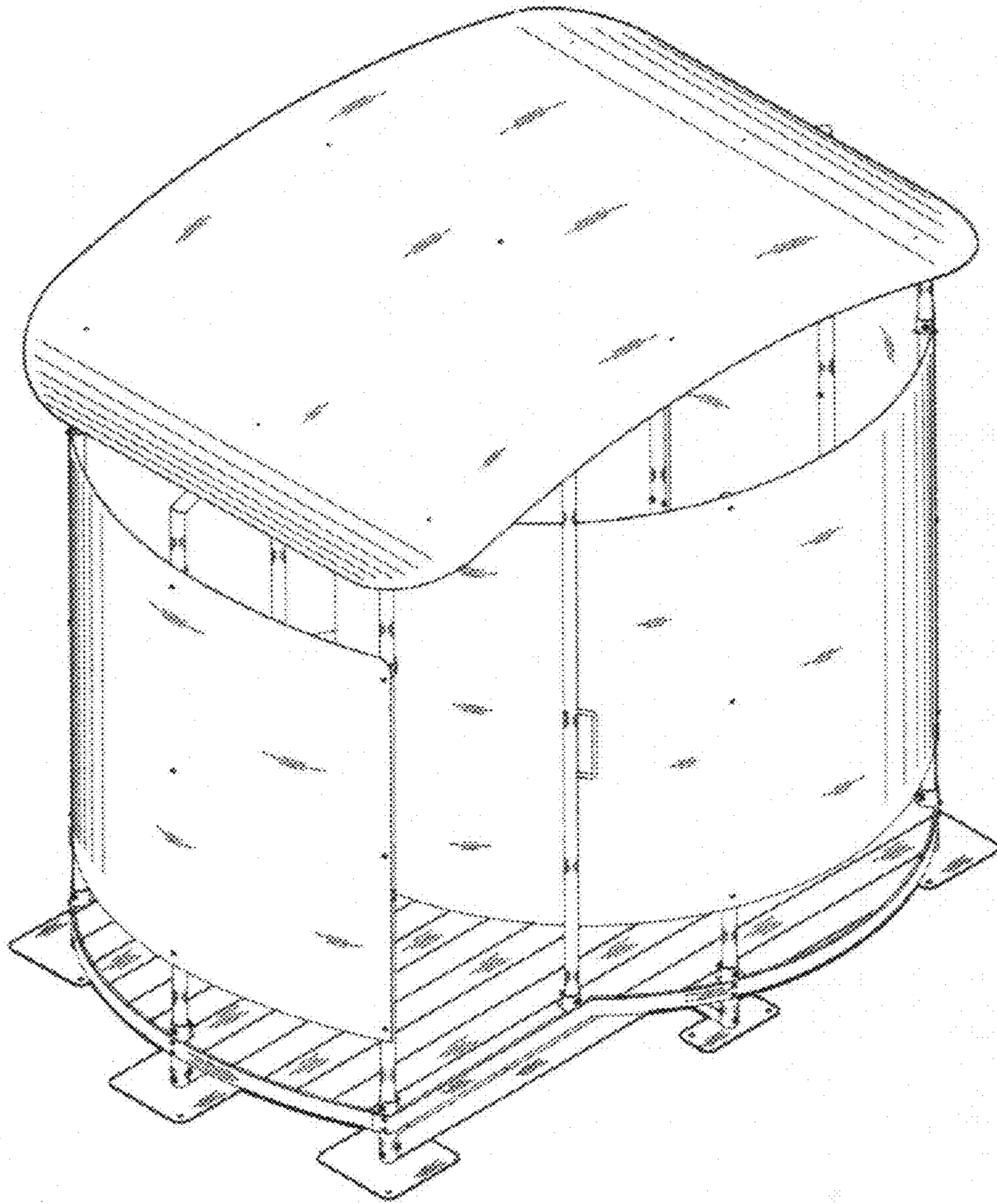


Fig.1

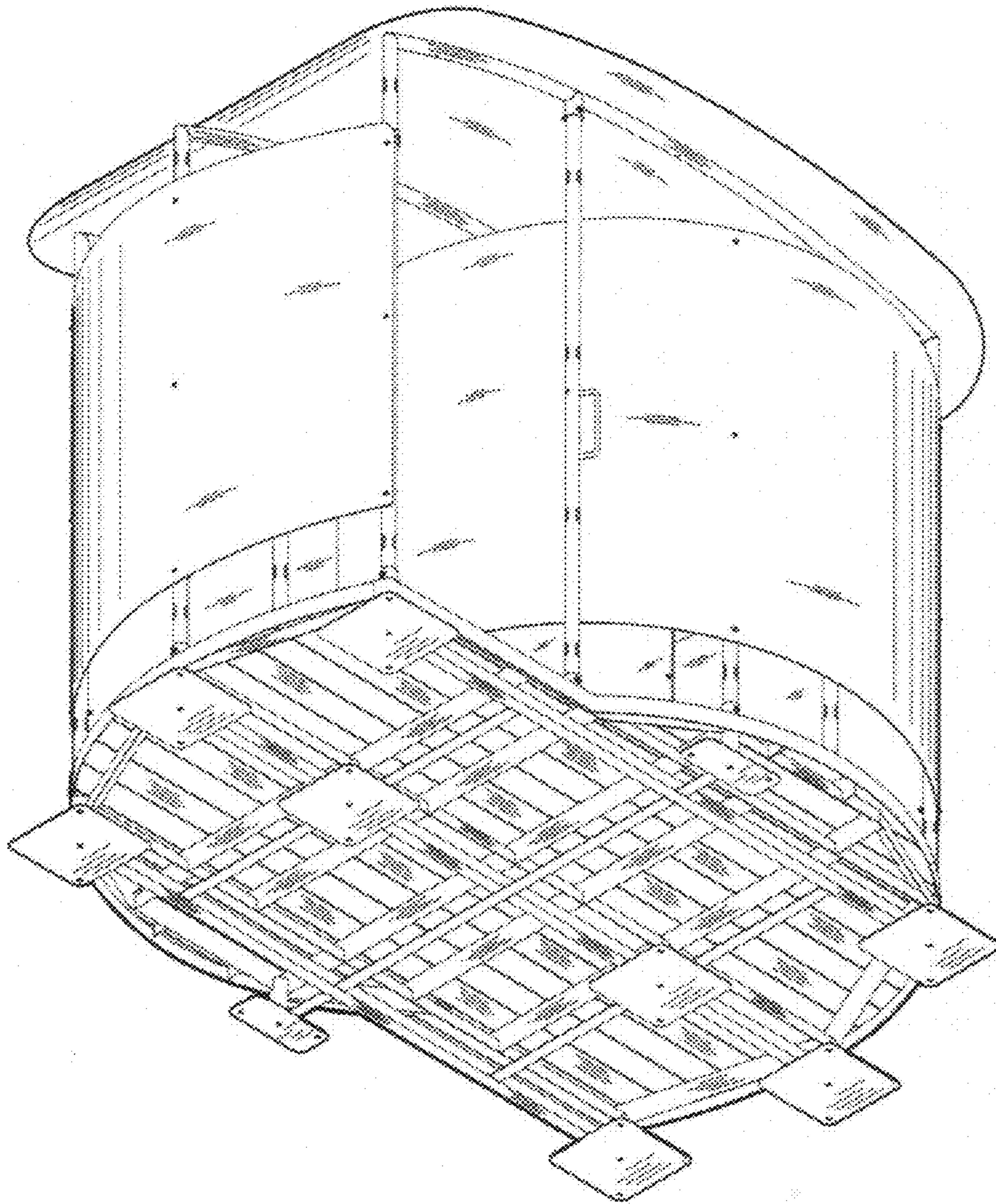


Fig.2

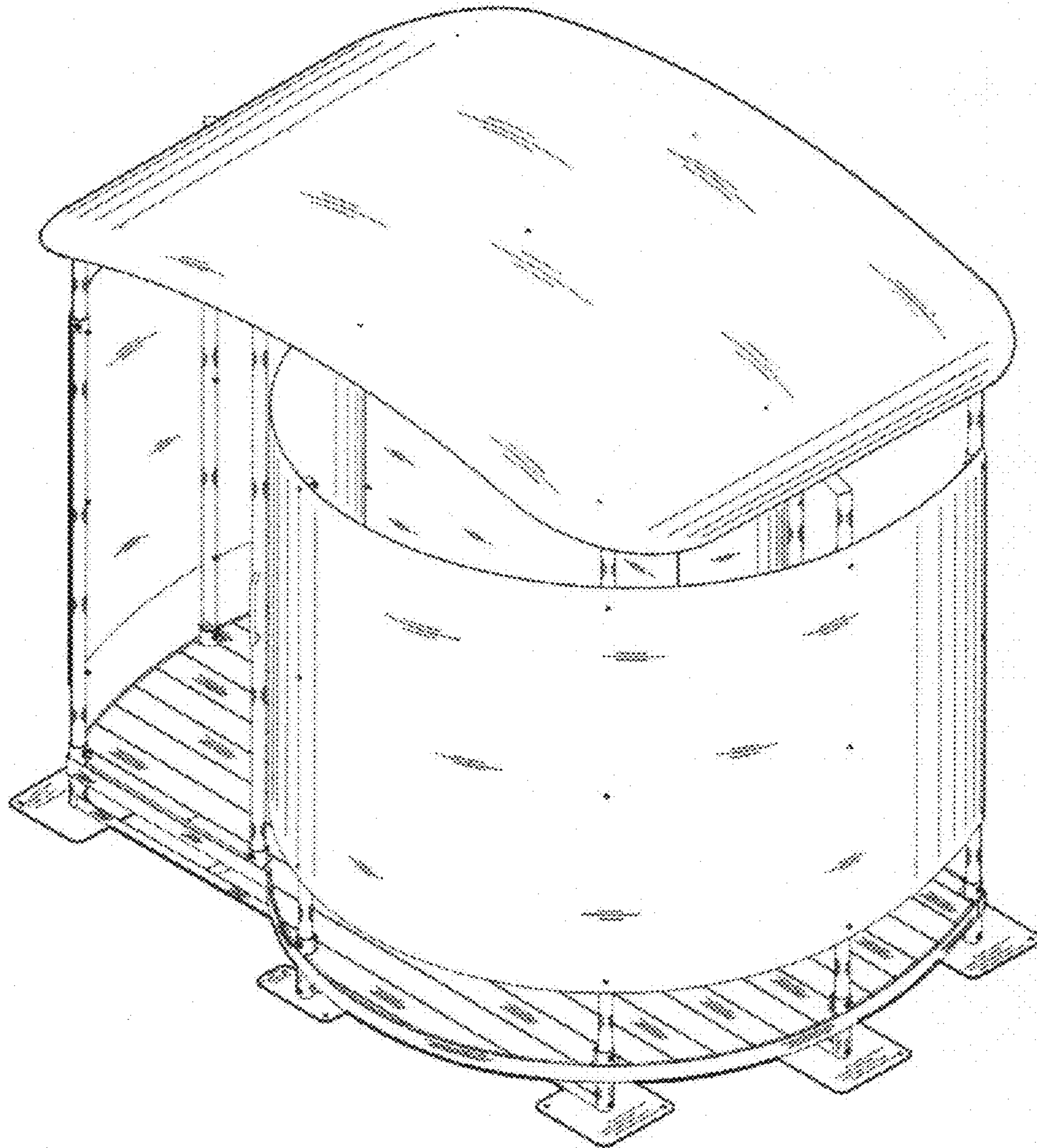


Fig.3

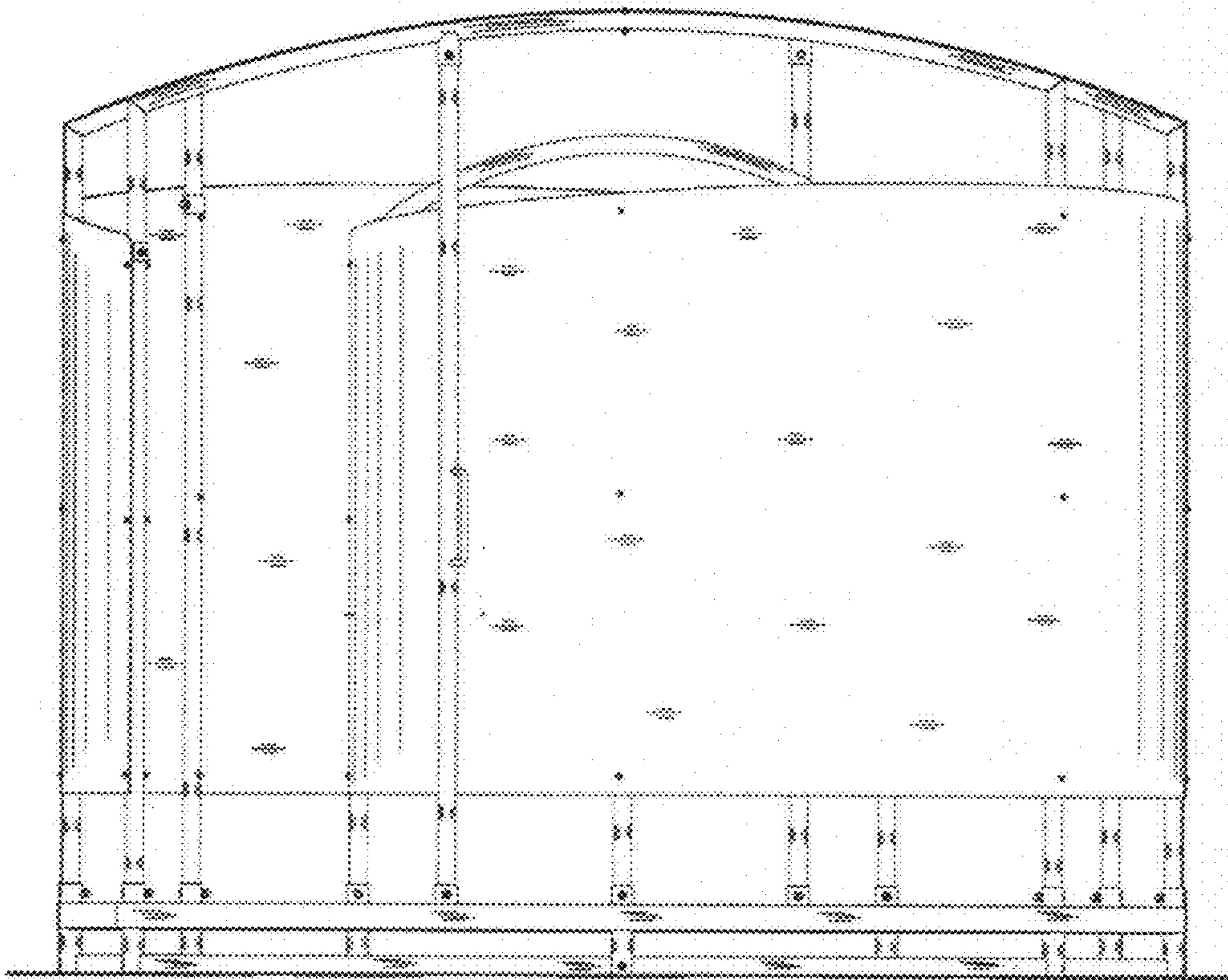


Fig.4

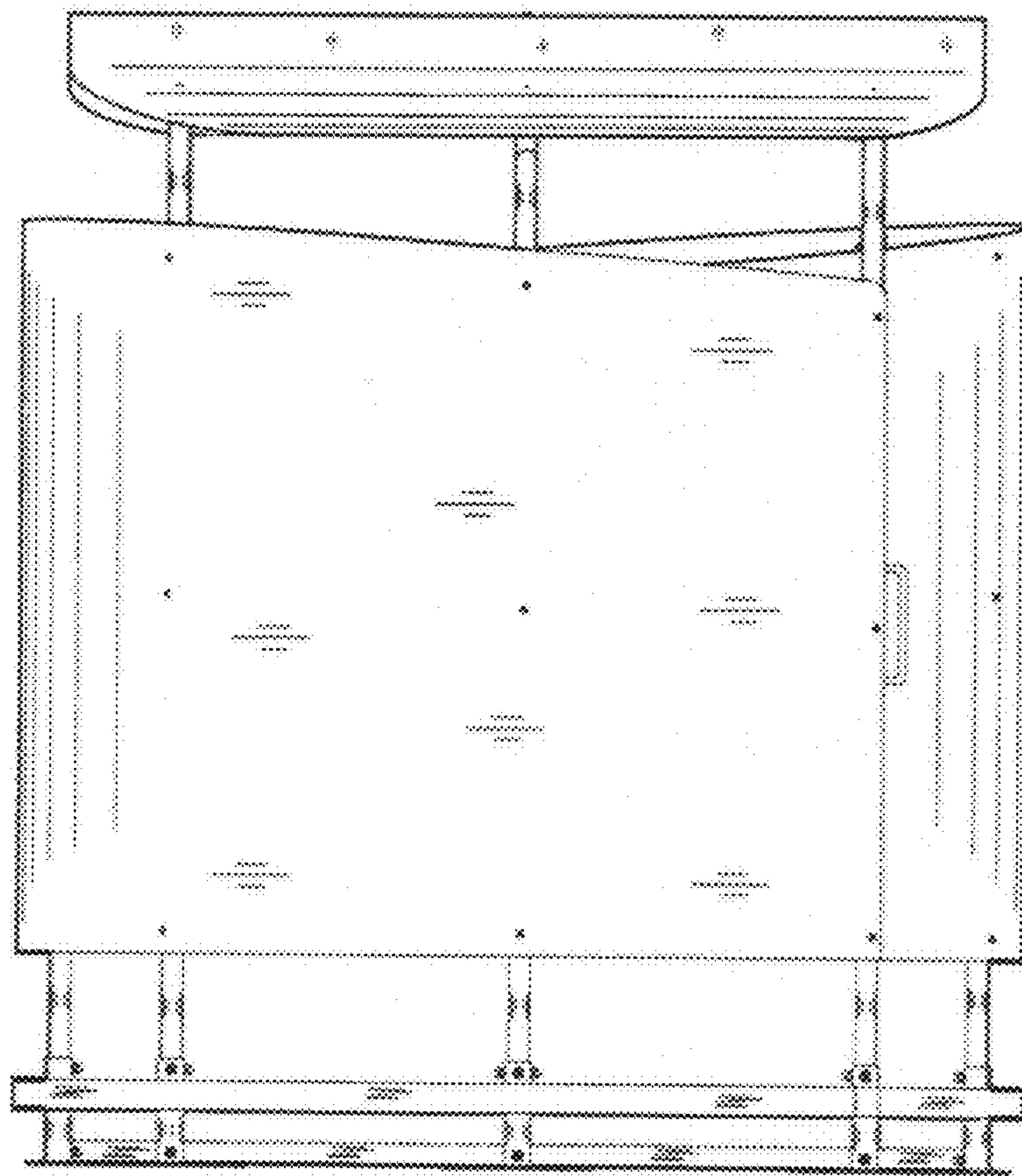


Fig.5

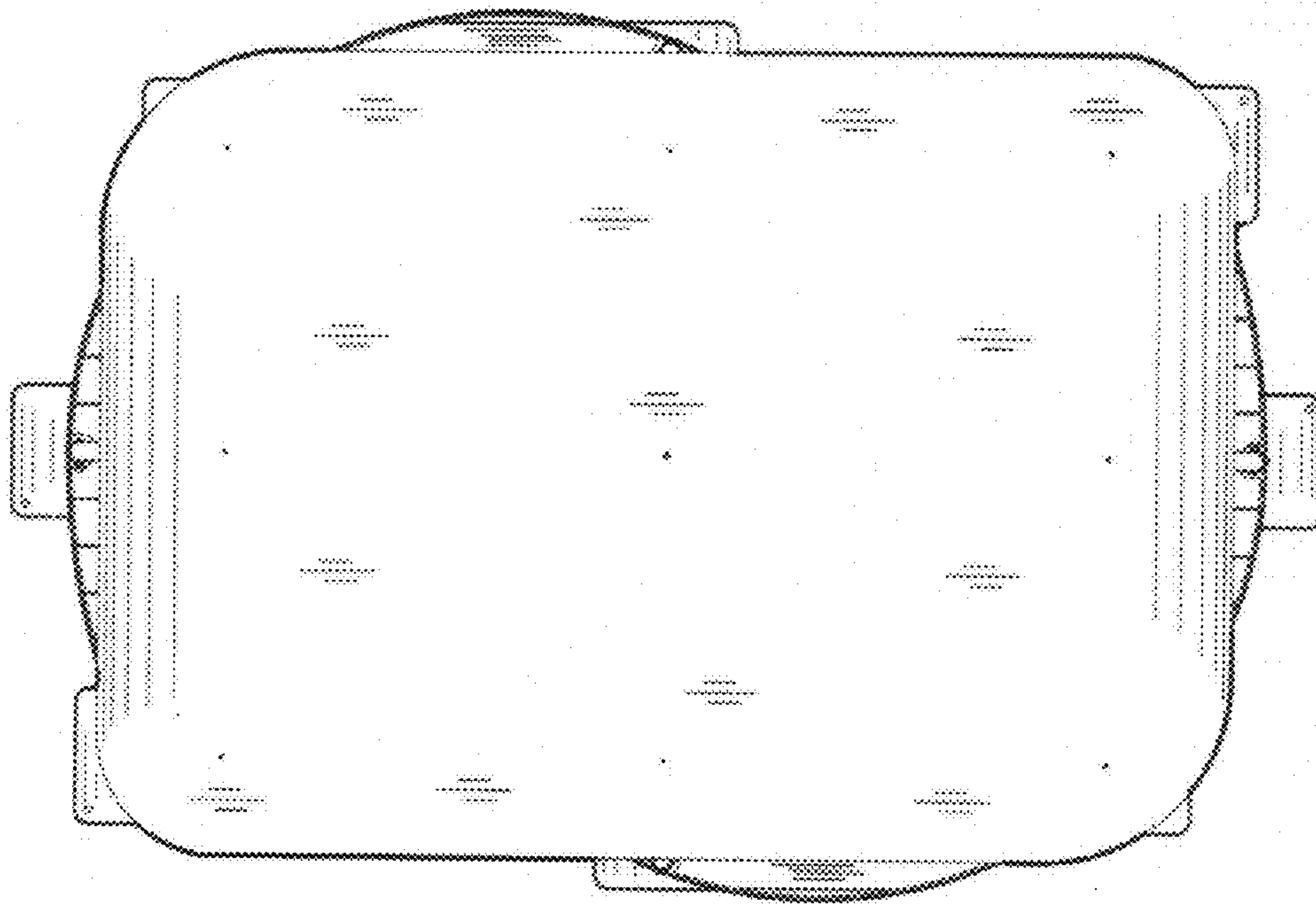


Fig.6

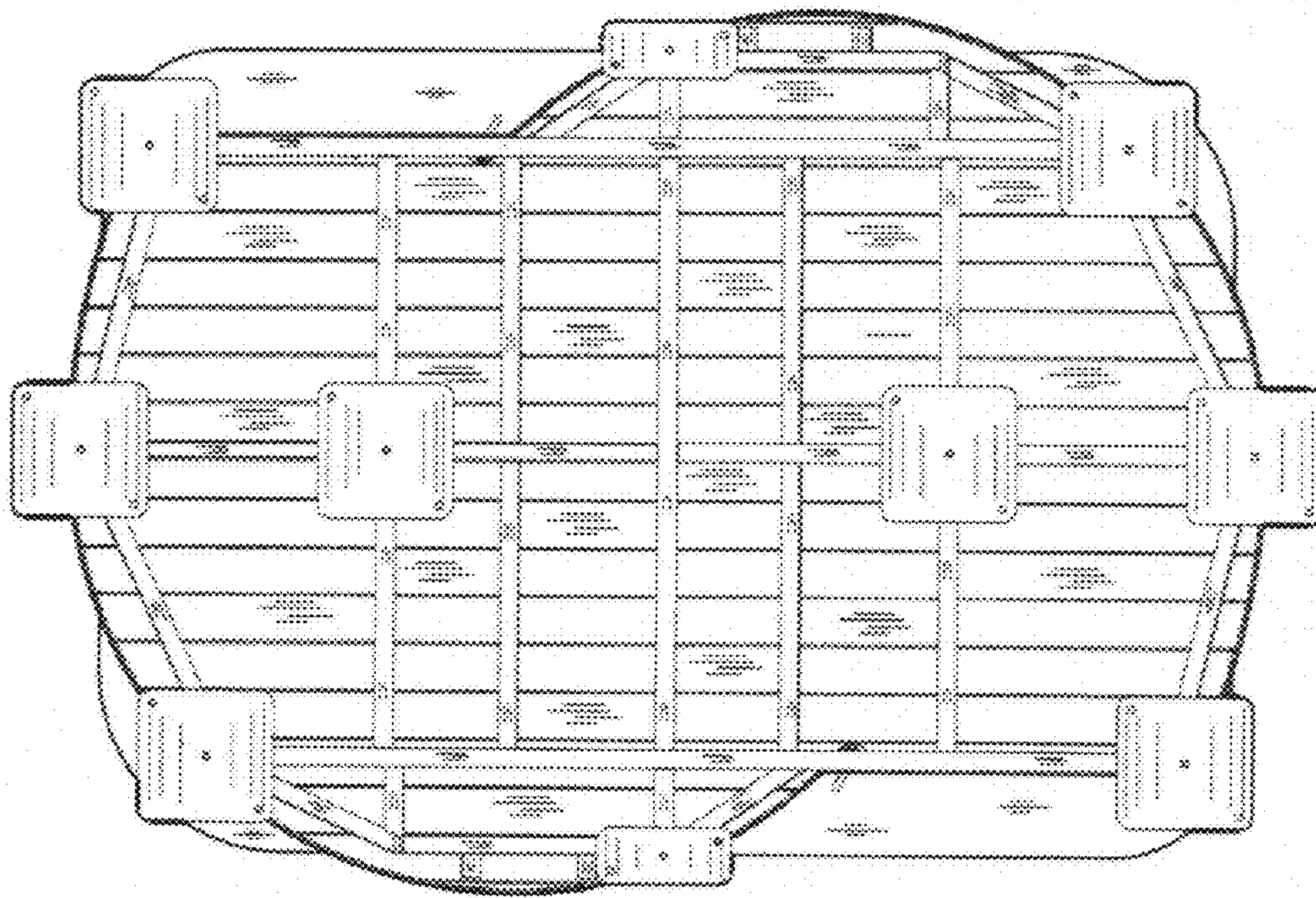


Fig. 7