



US00D719675S

(12) **United States Design Patent**  
**Rostek**

(10) **Patent No.:** **US D719,675 S**

(45) **Date of Patent:** **\*\* Dec. 16, 2014**

(54) **UNIVERSAL CABIN**

(71) Applicant: **Alois Rostek**, Cracow (PL)

(72) Inventor: **Alois Rostek**, Cracow (PL)

(73) Assignee: **Rosco Polska SP. Z O.O.**, Kraków (PL)

(\*\*) Term: **14 Years**

(21) Appl. No.: **29/459,471**

(22) Filed: **Jun. 28, 2013**

(30) **Foreign Application Priority Data**

Mar. 8, 2013 (PL) ..... W.121819  
Mar. 13, 2013 (EM) ..... 002201798-0001

(51) **LOC (10) Cl.** ..... **25-03**

(52) **U.S. Cl.**  
USPC ..... **D25/17; D25/31**

(58) **Field of Classification Search**  
USPC ..... D25/1-33; 52/36.1, 79.1-79.5, 169.6,  
52/80.1, 80.2, 90.1, 90.2, 91.1, 91.2, 91.3,  
52/92.1, 93.1, 93.2; D21/458; D15/1, 5  
See application file for complete search history.

(56) **References Cited**

**U.S. PATENT DOCUMENTS**

D126,708 S \* 4/1941 Pierson ..... D25/18  
D144,166 S \* 3/1946 Du Brie ..... D15/5  
D185,669 S \* 7/1959 Kaestner ..... D25/18  
D276,185 S \* 10/1984 Stewart, Jr. .... D25/31  
4,555,877 A \* 12/1985 Libra ..... 52/79.4

D384,751 S \* 10/1997 Tagg ..... D25/16  
D412,625 S \* 8/1999 Montague et al. .... D6/421  
6,345,957 B1 \* 2/2002 Szpur ..... 416/197 A  
6,668,392 B2 \* 12/2003 Mason ..... 4/449  
D637,555 S \* 5/2011 Rodriguez ..... D13/115  
D700,684 S \* 3/2014 Madenci ..... D23/274

**FOREIGN PATENT DOCUMENTS**

AU 2006200662 A1 9/2006  
BE 2007/0323 3/2009  
GR 20080100256 9/2009  
WO 2005/071188 A1 8/2005

\* cited by examiner

*Primary Examiner* — Garth Rademaker

*Assistant Examiner* — Samantha Q Lawrence

(74) *Attorney, Agent, or Firm* — Andrew Malarz

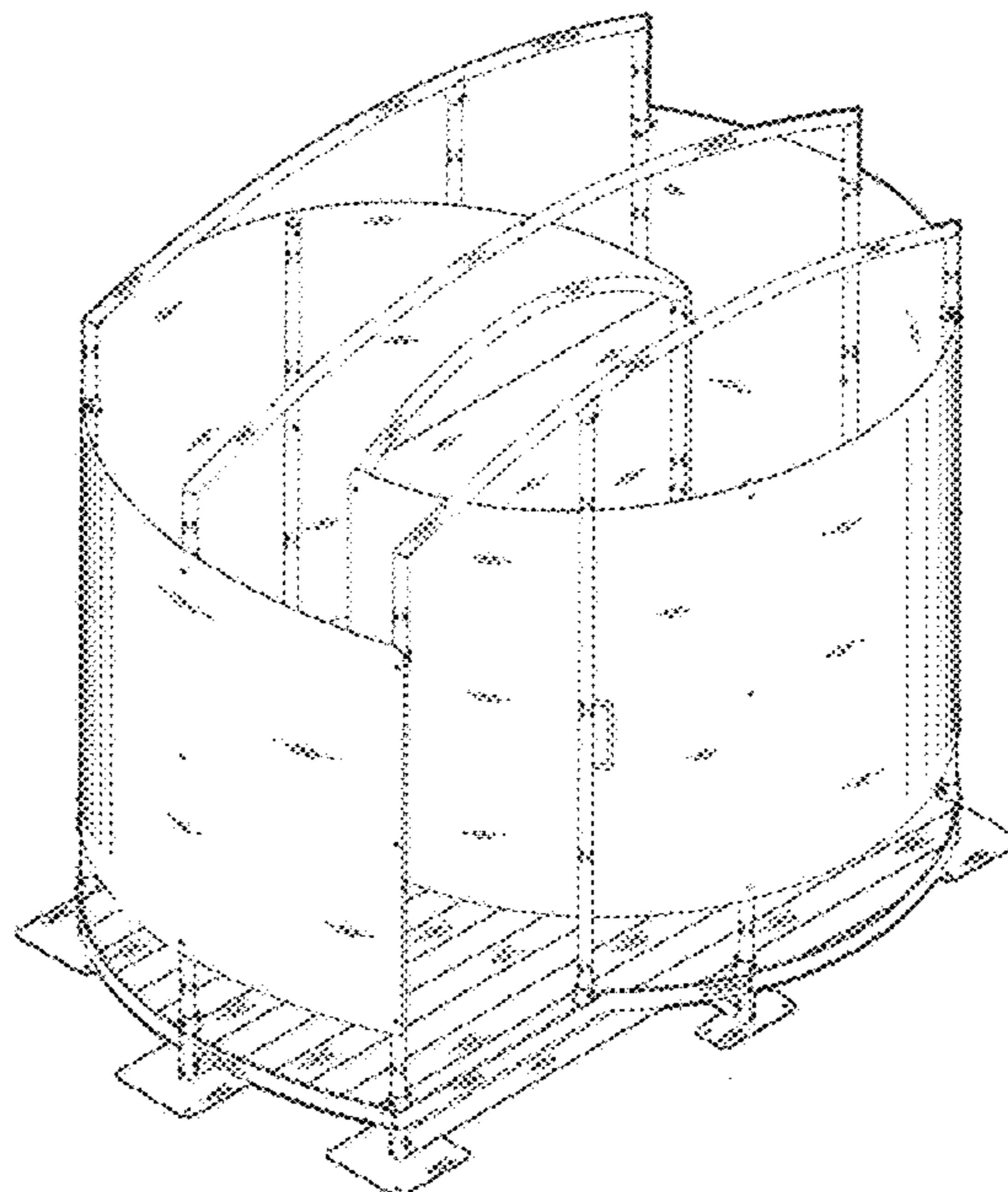
(57) **CLAIM**

The ornamental design for a universal cabin, as shown and described.

**DESCRIPTION**

FIG. 1 is a top, front, left side perspective view of a universal cabin showing my new design;  
FIG. 2 is a bottom, front, left side perspective view thereof;  
FIG. 3 is a top, front, right side perspective view thereof.  
FIG. 4 is a front elevational view thereof;  
FIG. 5 is a left side elevational view thereof;  
FIG. 6 is a top plan view thereof; and,  
FIG. 7 is a bottom plan view thereof.

**1 Claim, 7 Drawing Sheets**



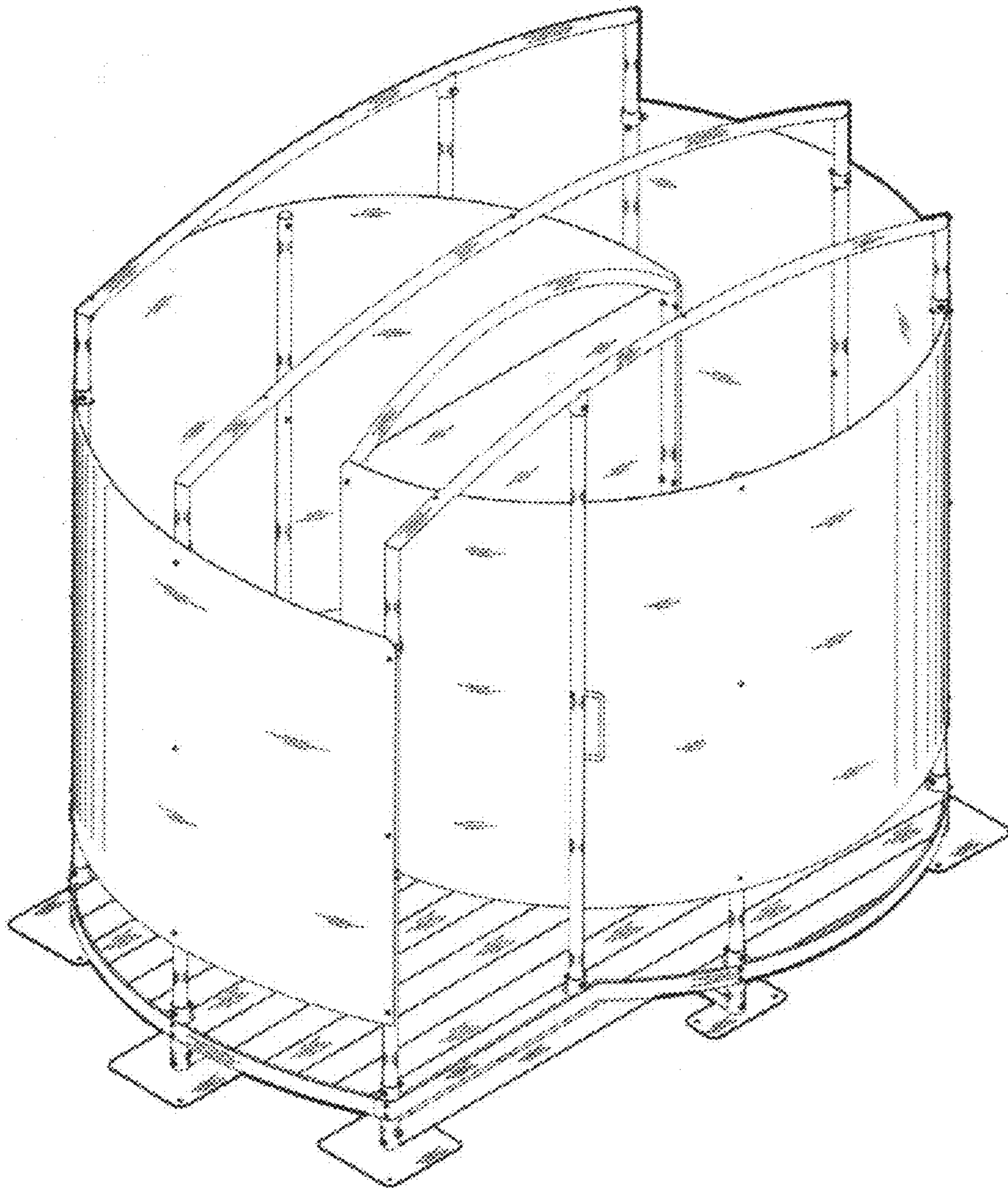


Fig. 1



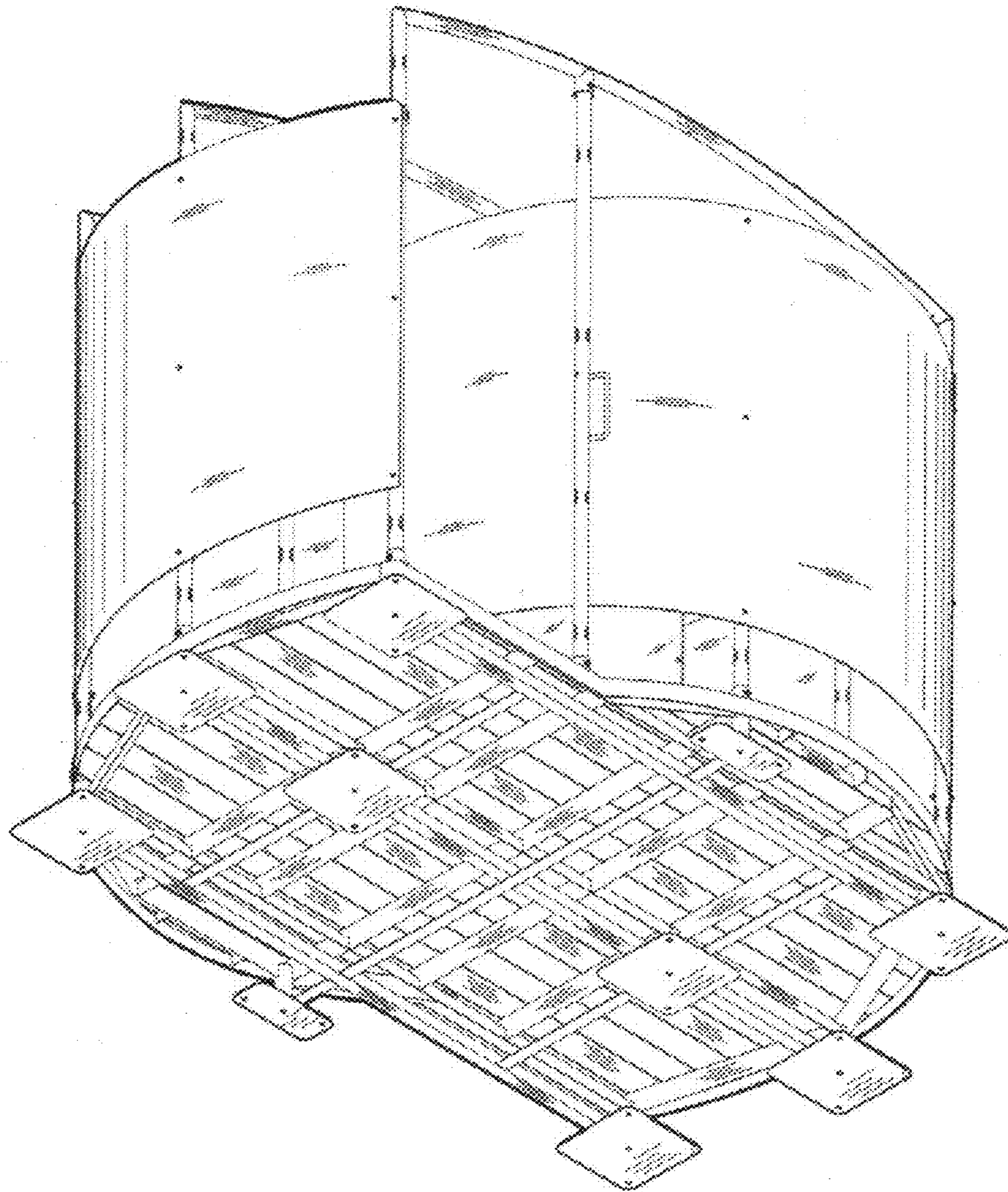


Fig.2

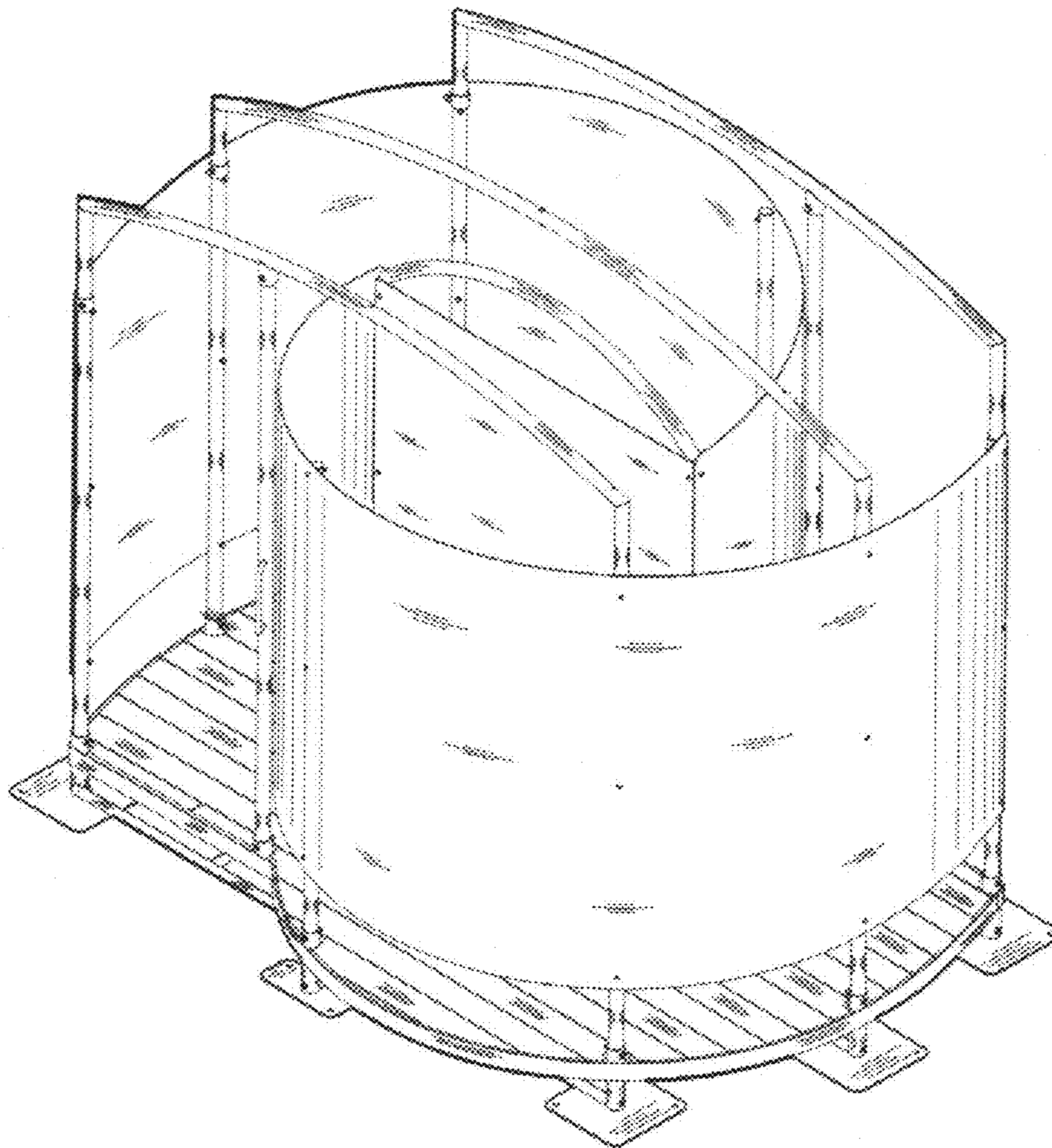


Fig.3

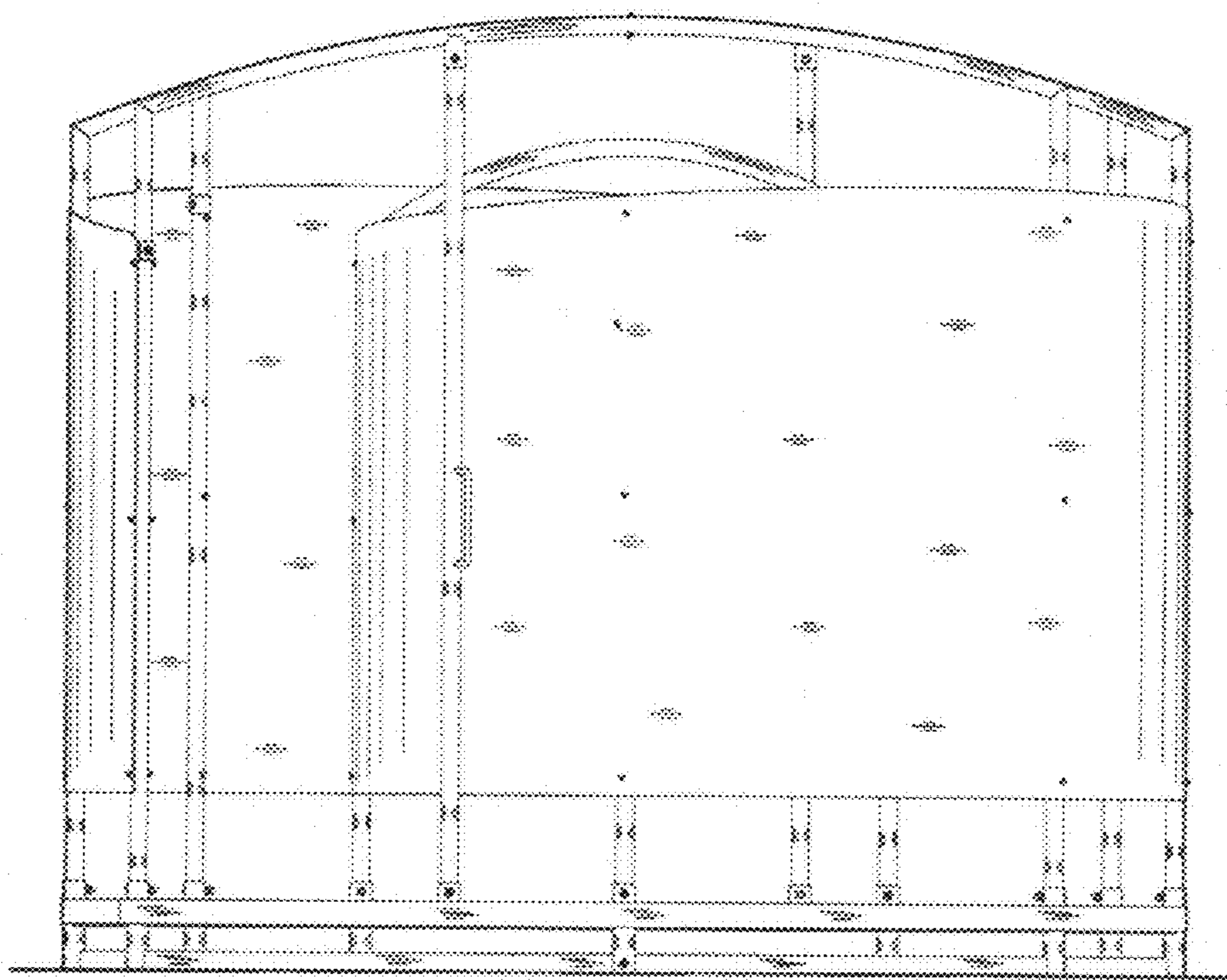


Fig.4



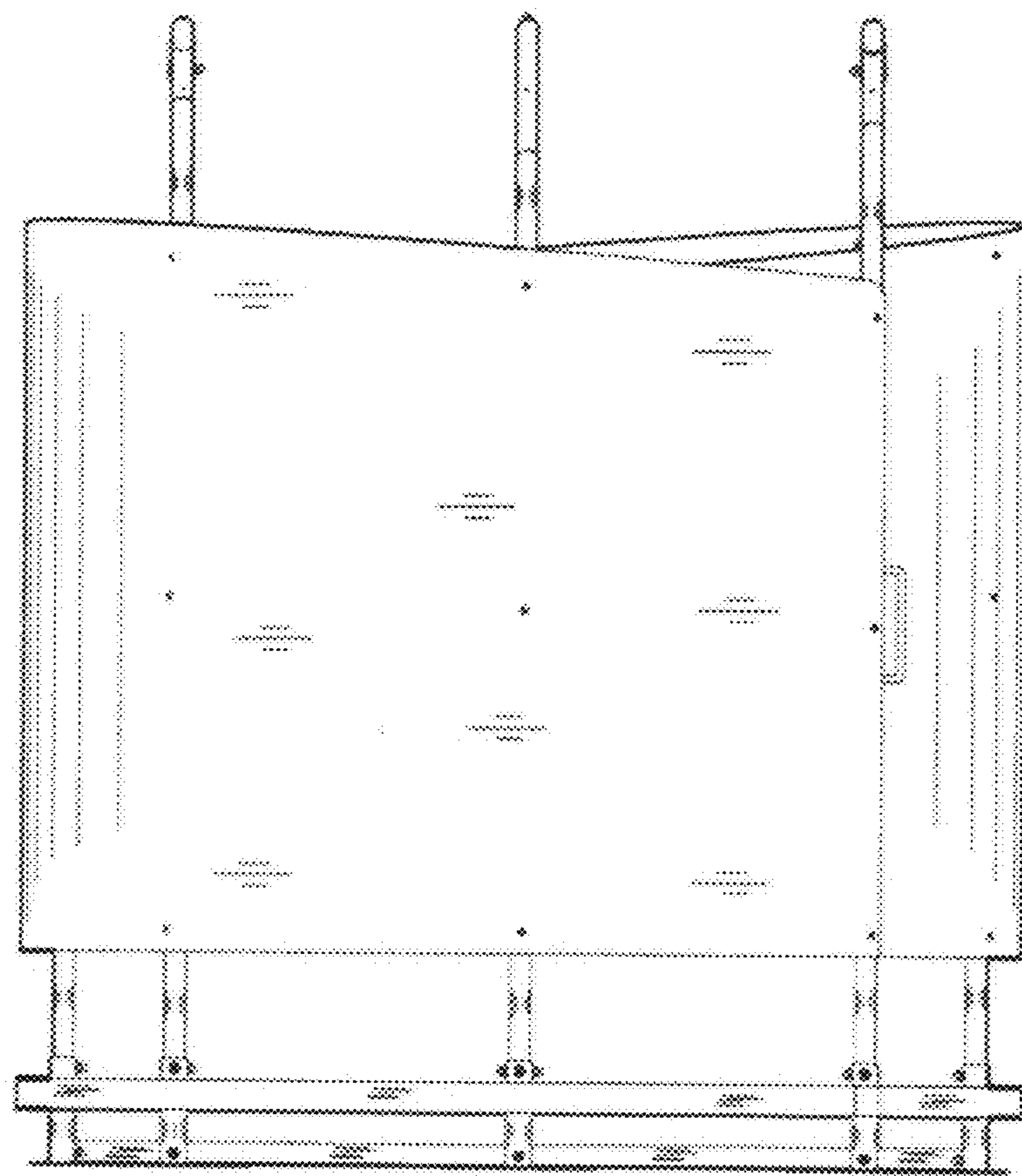


Fig. 5

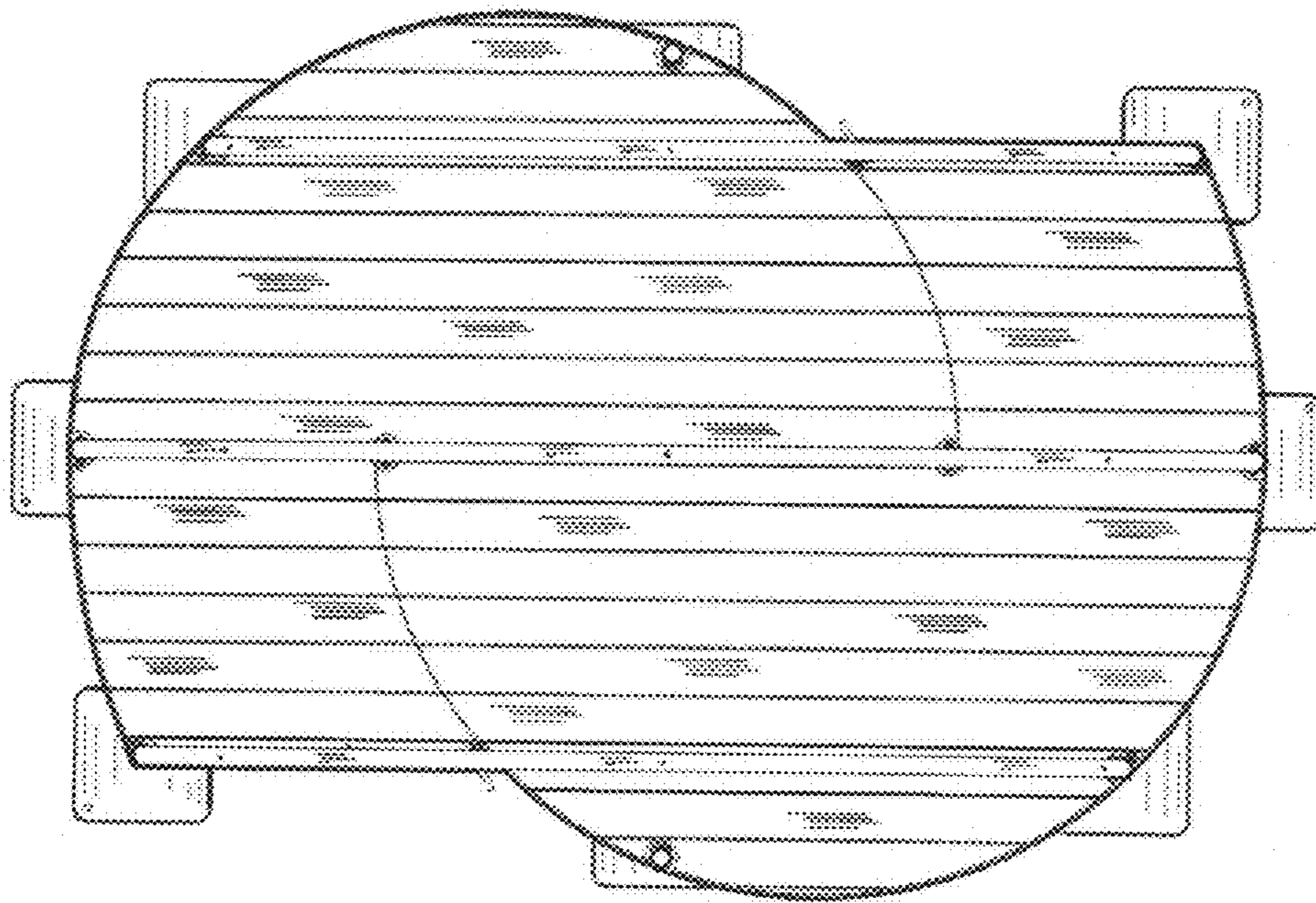


Fig. 6

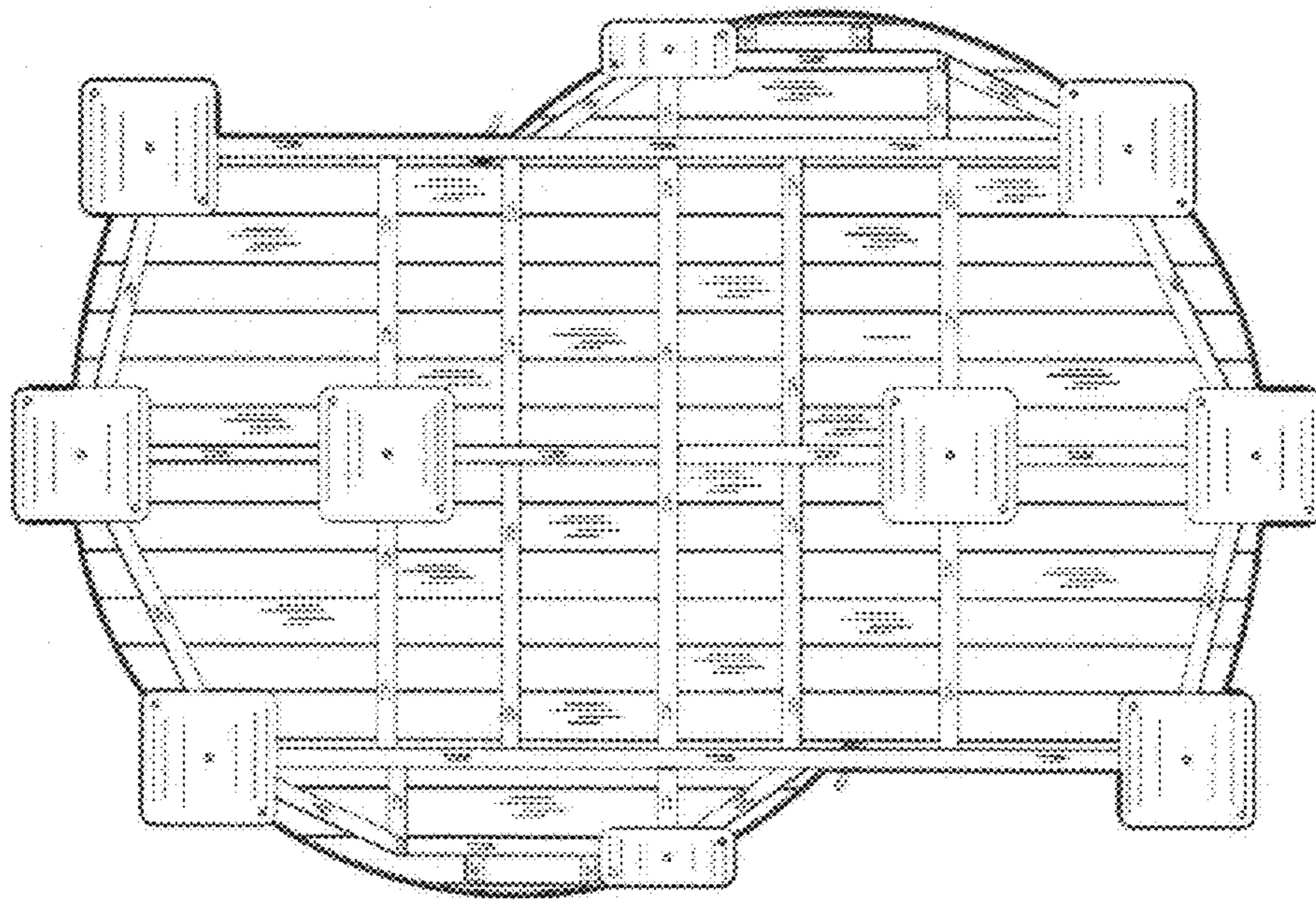


Fig. 7