

US00D719674S

(12) **United States Design Patent**  
**Leyva et al.**

(10) **Patent No.:** **US D719,674 S**  
(45) **Date of Patent:** **\*\* Dec. 16, 2014**

(54) **PORTABLE SANITIZING MACHINE**

(56) **References Cited**

(71) Applicant: **Inceptus, Inc.**, Uxbridge, MA (US)  
(72) Inventors: **Timothy Leyva**, Bellingham, MA (US);  
**Michael Schmidt**, Franklin, MA (US);  
**William Olszta**, Webster, MA (US);  
**Kurt Michael Maw**, Salem, MA (US);  
**Arvin Grande Abadilla**, Encinitas, CA (US); **Anthony Parillo**, Somerville, MA (US)

U.S. PATENT DOCUMENTS

D427,686	S	*	7/2000	Butler et al.	.....	D3/203.1
D463,076	S	*	9/2002	Nottingham et al.	.....	D32/1
D560,814	S	*	1/2008	Brieussel et al.	.....	D24/217
D629,529	S	*	12/2010	Russell et al.	.....	D24/217
D655,079	S	*	3/2012	Patenaude	.....	D3/203.1
D679,825	S	*	4/2013	Elkerbout et al.	.....	D24/217
D704,349	S	*	5/2014	Williams et al.	.....	D24/217

\* cited by examiner

*Primary Examiner* — Anhdao Doan

(74) *Attorney, Agent, or Firm* — Hayes Soloway P.C.

(73) Assignee: **Inceptus, Inc.**, Oxford, MA (US)

(57) **CLAIM**

(\*\*) Term: **14 Years**

We claim the ornamental design for a portable sanitizing machine, as shown and described.

(21) Appl. No.: **29/479,358**

**DESCRIPTION**

(22) Filed: **Jan. 15, 2014**

FIG. 1 is a perspective view of a portable sanitizing machine, showing the new design;

(51) **LOC (10) Cl.** ..... **24-01**

FIG. 2 is a front view of a portable sanitizing machine thereof;

(52) **U.S. Cl.**

FIG. 3 is a back view of a portable sanitizing machine thereof;

USPC ..... **D24/217**

FIG. 4 is a side view of a portable sanitizing machine thereof;

(58) **Field of Classification Search**

FIG. 5 is a top plan view of a portable sanitizing machine thereof; and,

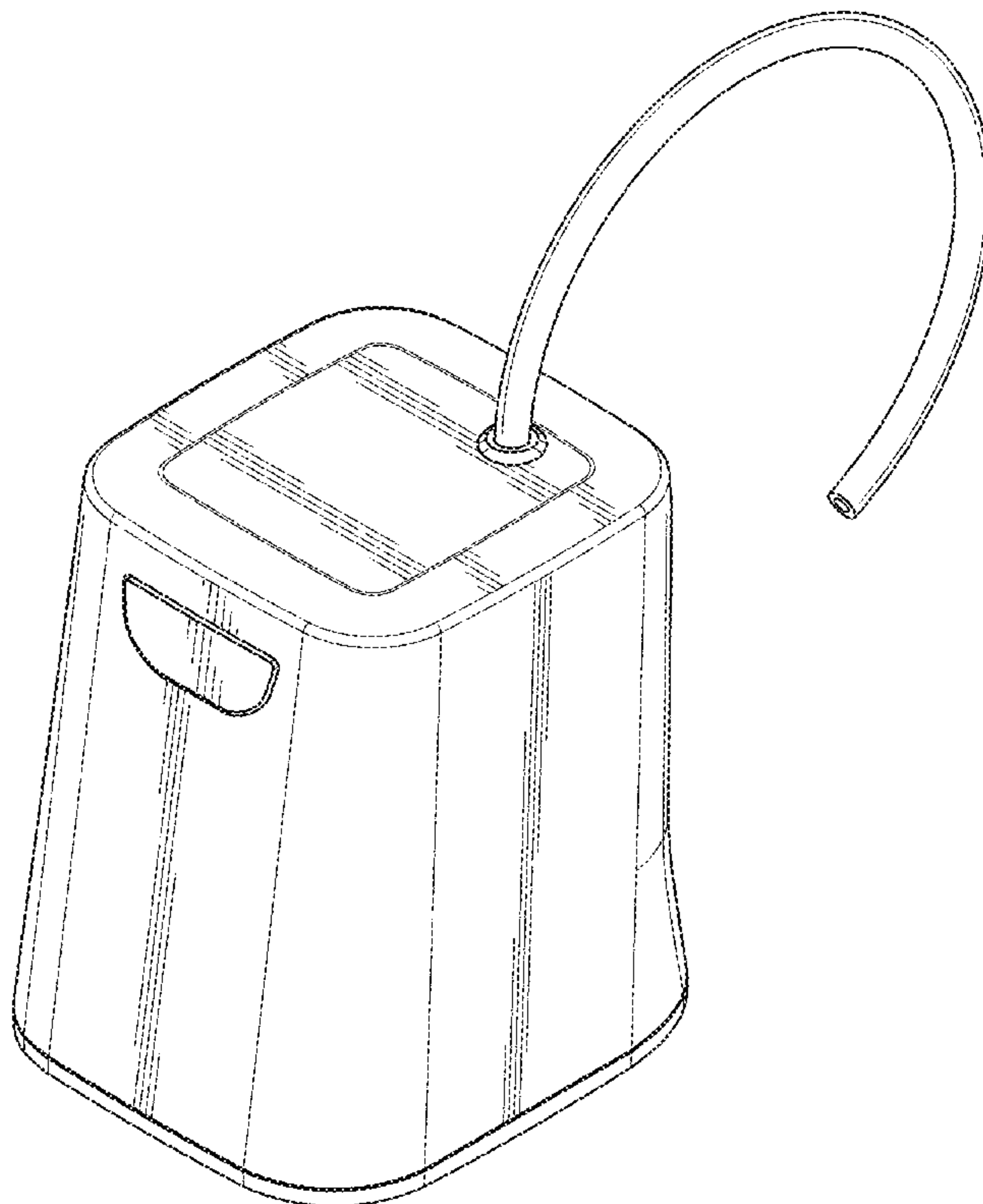
USPC ..... D24/216, 217, 218, 219, 227, 231, 194,  
D24/197; D3/200, 203.1; D32/1; 422/20,  
422/21, 22, 24, 26, 297, 300, 303; 220/529,  
220/735; 206/370, 438; D7/326

FIG. 6 is a bottom view of a portable sanitizing machine thereof.

The broken lines in the drawing views are included for the purpose of illustrating portions of the portable sanitizing machine that form no part of the claimed design.

See application file for complete search history.

**1 Claim, 6 Drawing Sheets**



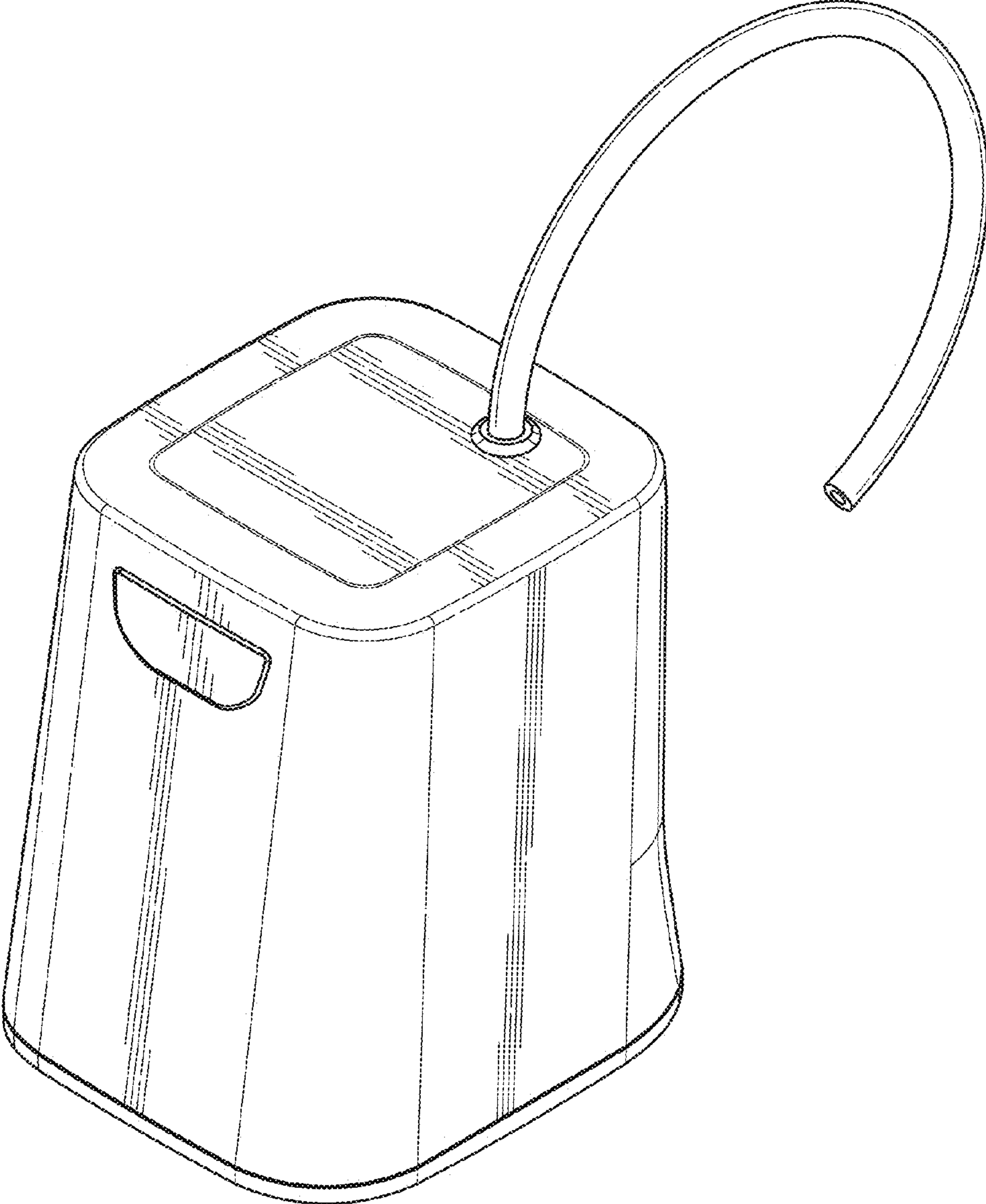


FIG. 1

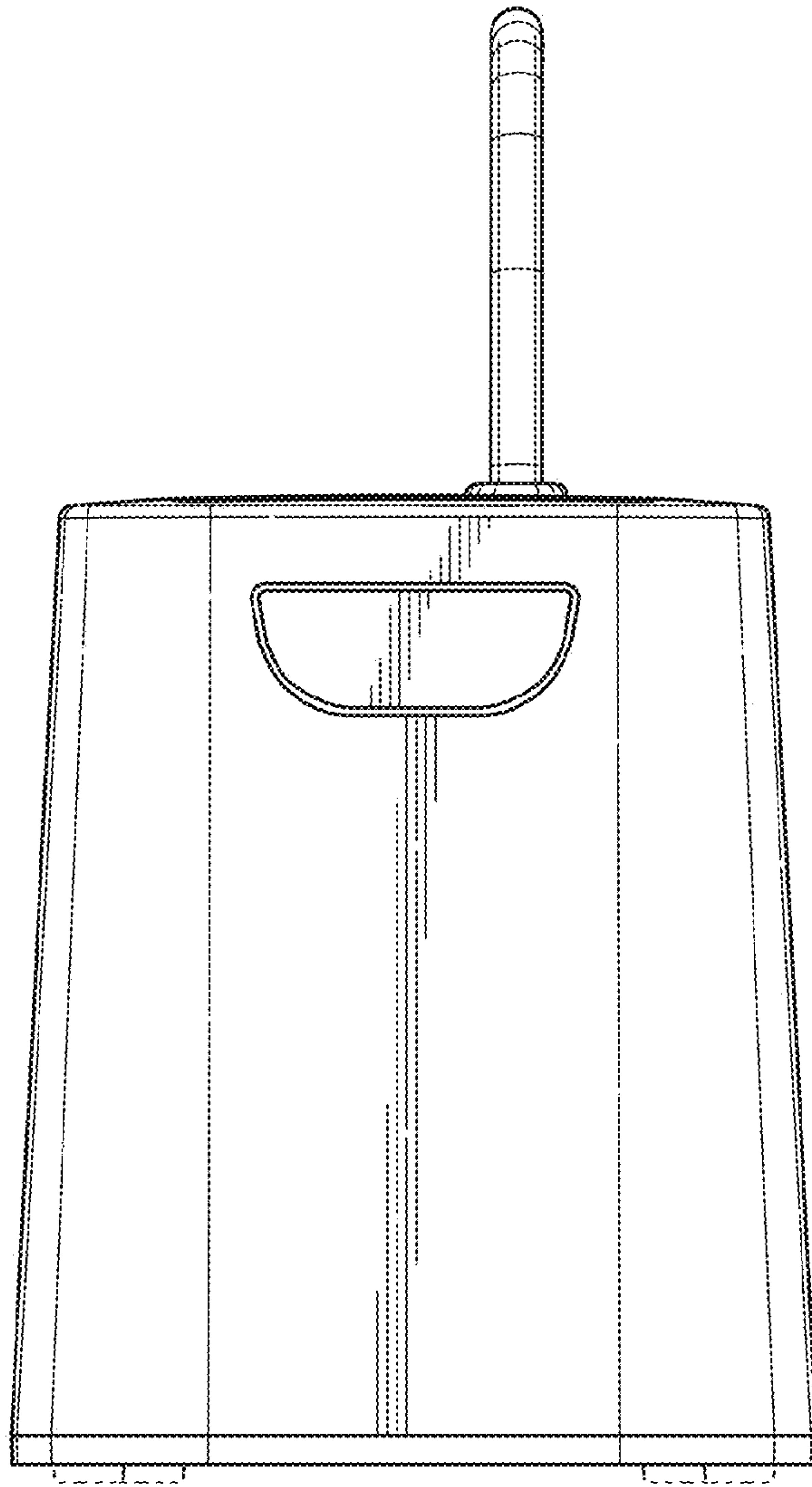


FIG. 2

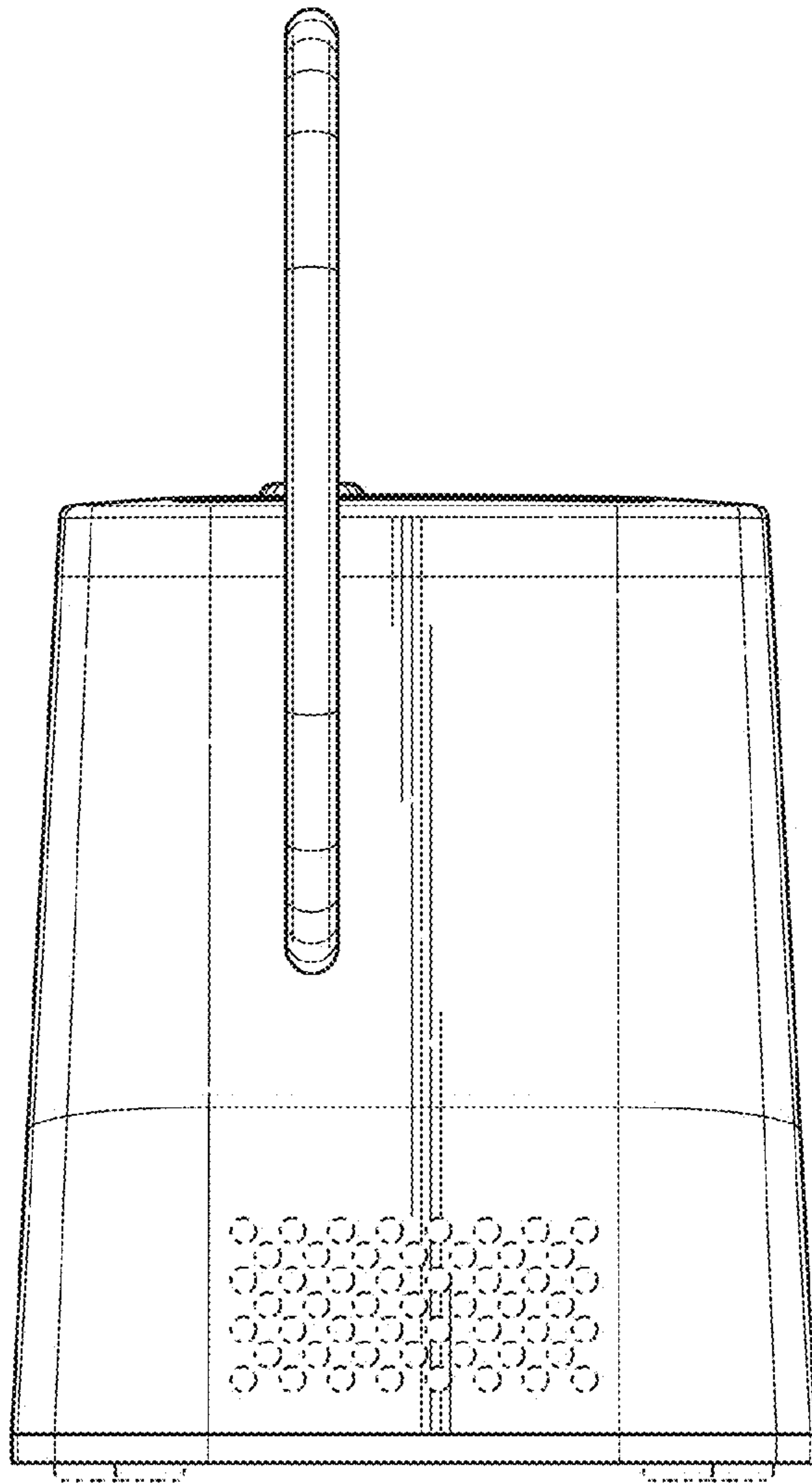


FIG. 3

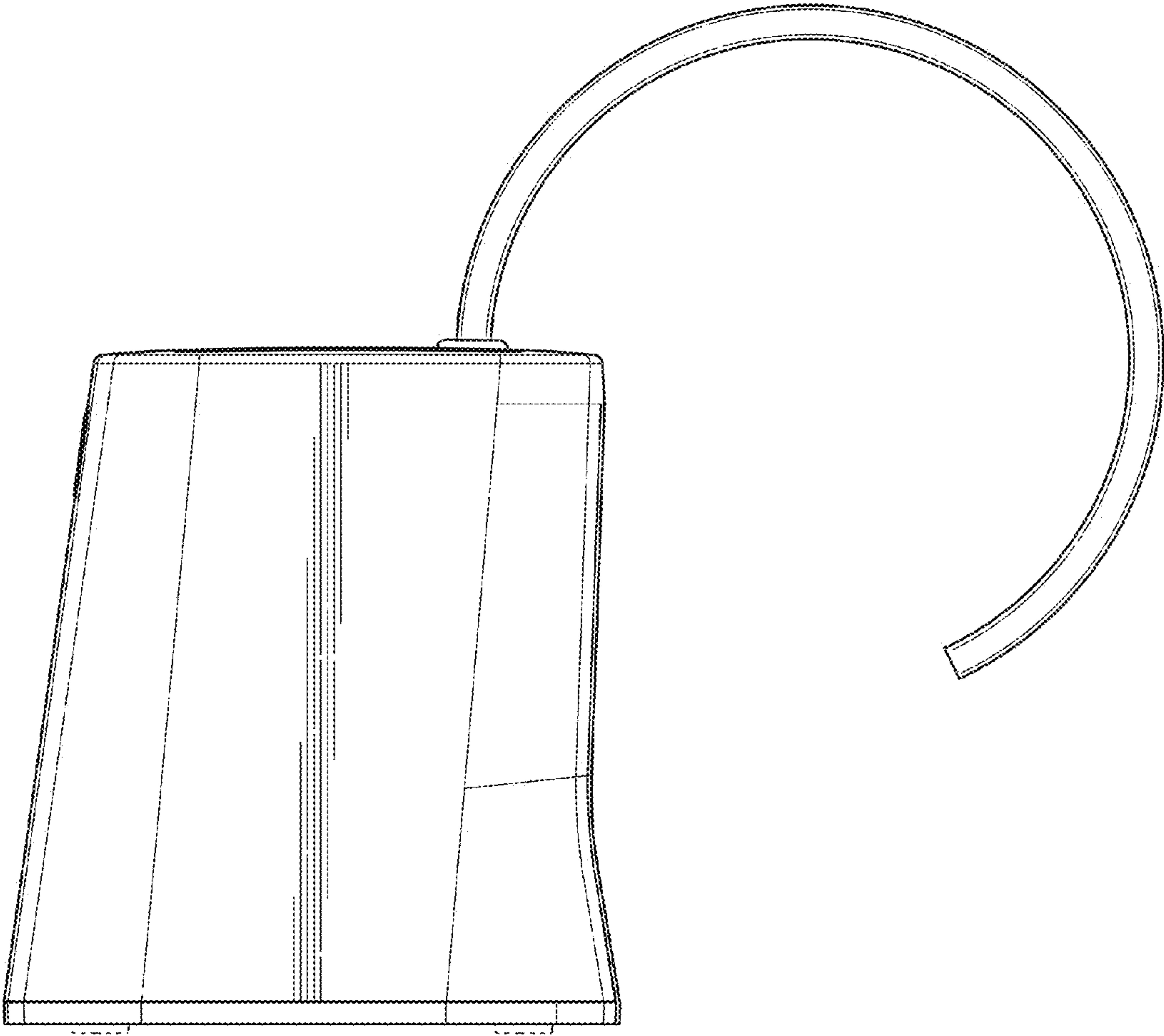


FIG. 4

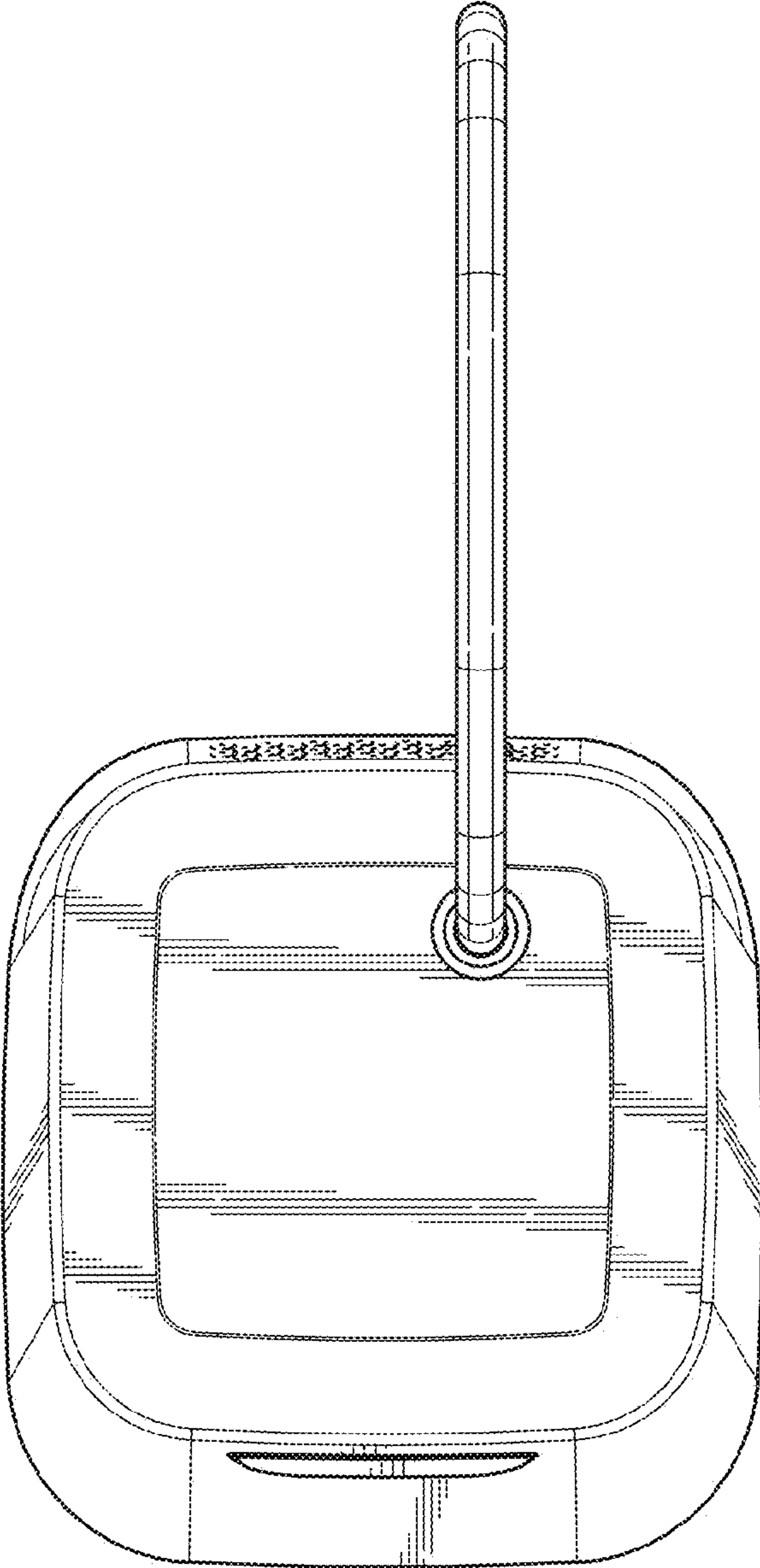


FIG. 5



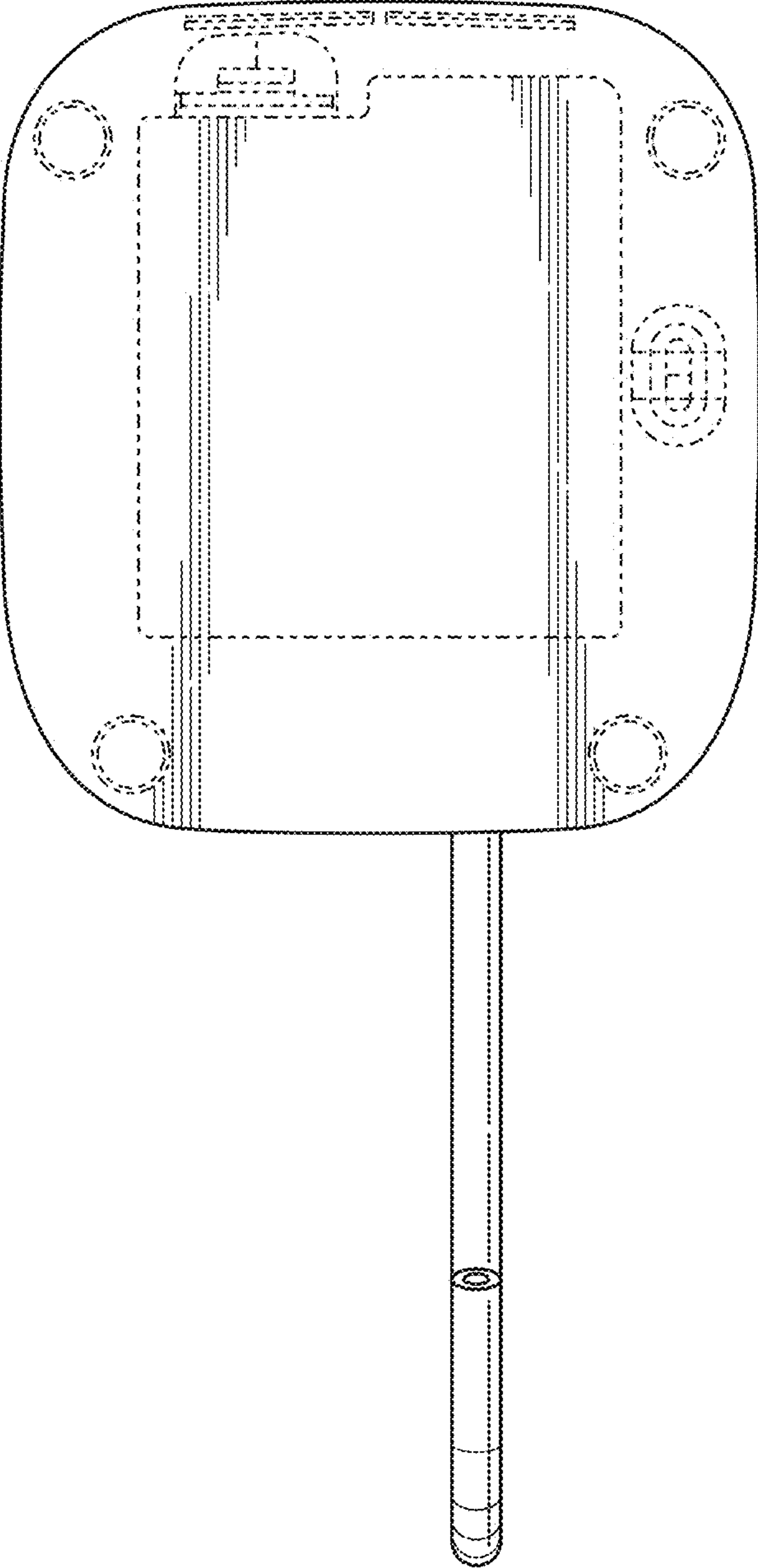


FIG. 6