



US00D719673S

(12) **United States Design Patent**
Leyva et al.

(10) **Patent No.:** **US D719,673 S**

(45) **Date of Patent:** **** Dec. 16, 2014**

(54) **SANITIZING MACHINE WITH TOP DOOR OPEN**

(56) **References Cited**

U.S. PATENT DOCUMENTS

(71) Applicant: **Inceptus, Inc.**, Uxbridge, MA (US)
(72) Inventors: **Timothy Leyva**, Bellingham, MA (US);
Michael Schmidt, Franklin, MA (US);
William Olszta, Webster, MA (US);
Kurt Michael Maw, Salem, MA (US);
Arvin Grande Abadilla, Encinitas, CA (US);
Anthony Parillo, Somerville, MA (US)

D427,686	S	*	7/2000	Butler et al.	D3/203.1
D463,076	S	*	9/2002	Nottingham et al.	D32/1
D560,814	S	*	1/2008	Brieussel et al.	D24/217
D629,529	S	*	12/2010	Russell et al.	D24/217
D655,079	S	*	3/2012	Patenaude	D3/203.1
D679,825	S	*	4/2013	Elkerbout et al.	D24/217
D704,349	S	*	5/2014	Williams et al.	D24/217

* cited by examiner

Primary Examiner — Anhdao Doan
(74) *Attorney, Agent, or Firm* — Hayes Soloway P.C.

(73) Assignee: **Inceptus, Inc.**, Oxford, MA (US)

(57) **CLAIM**

(**) Term: **14 Years**

We claim the ornamental design for a sanitizing machine with the top door open, as shown and described.

(21) Appl. No.: **29/479,356**

DESCRIPTION

(22) Filed: **Jan. 15, 2014**

FIG. 1 is a perspective view of a sanitizing machine, showing the new design;

(51) **LOC (10) Cl.** **24-01**

FIG. 2 is a front view of a sanitizing machine thereof;

(52) **U.S. Cl.**

FIG. 3 is a back view of a sanitizing machine thereof;

USPC **D24/217**

FIG. 4 is a side view of a sanitizing machine thereof;

(58) **Field of Classification Search**

FIG. 5 is a side view of a sanitizing machine thereof;

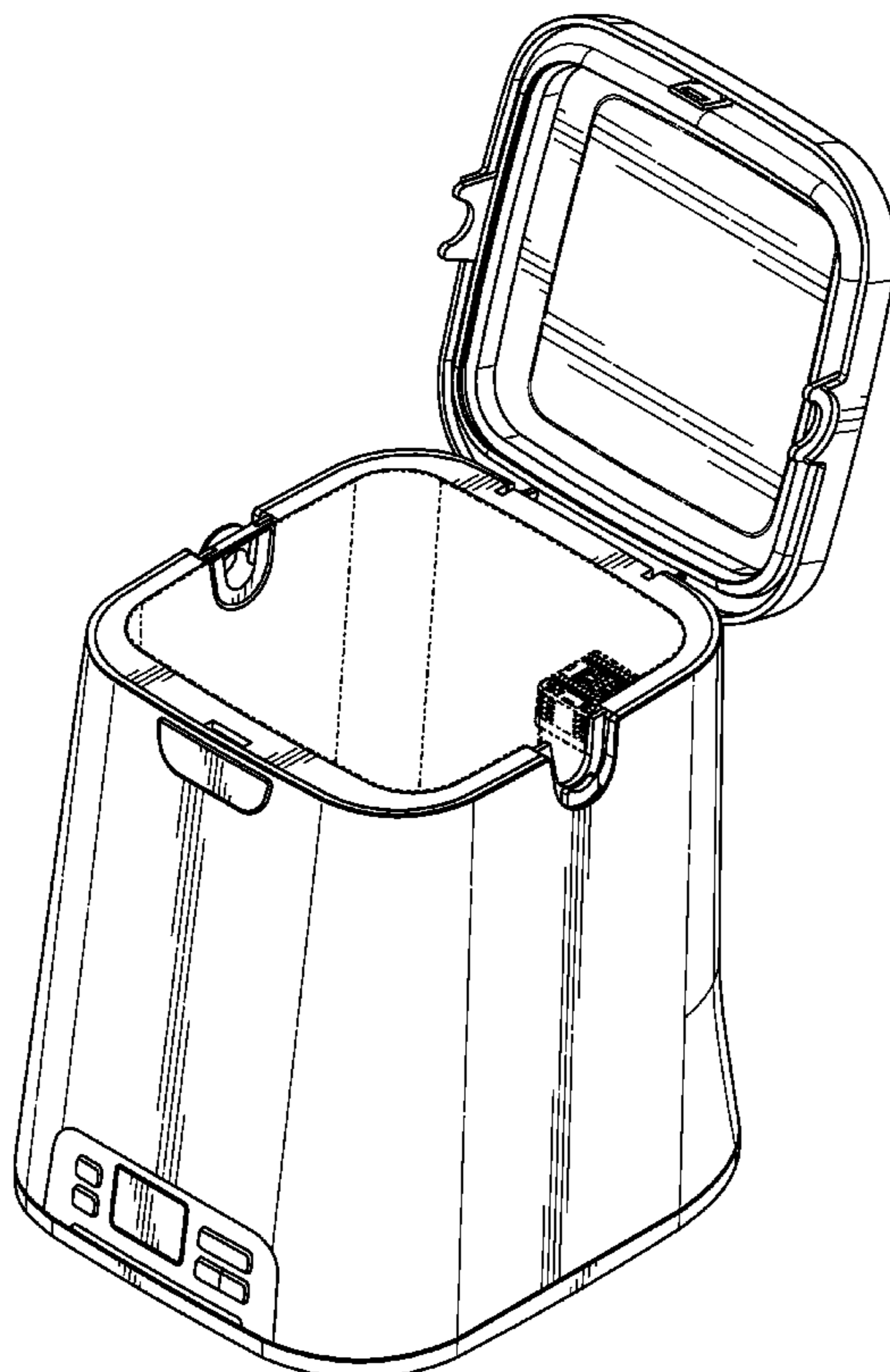
USPC D24/216, 217, 218, 219, 227, 231, 194,
D24/197; D3/200, 203.1; D32/1; 422/20,
422/21, 22, 24, 26, 297, 300, 303; 220/529,
220/735; 206/370, 438; D7/326

FIG. 6 is a top plan view of a sanitizing machine thereof; and,
FIG. 7 is a bottom view of a sanitizing machine thereof.

The broken lines in the drawing views are included for the purpose of illustrating portions of the sanitizing machine with top door open that form no part of the claimed design.

See application file for complete search history.

1 Claim, 7 Drawing Sheets



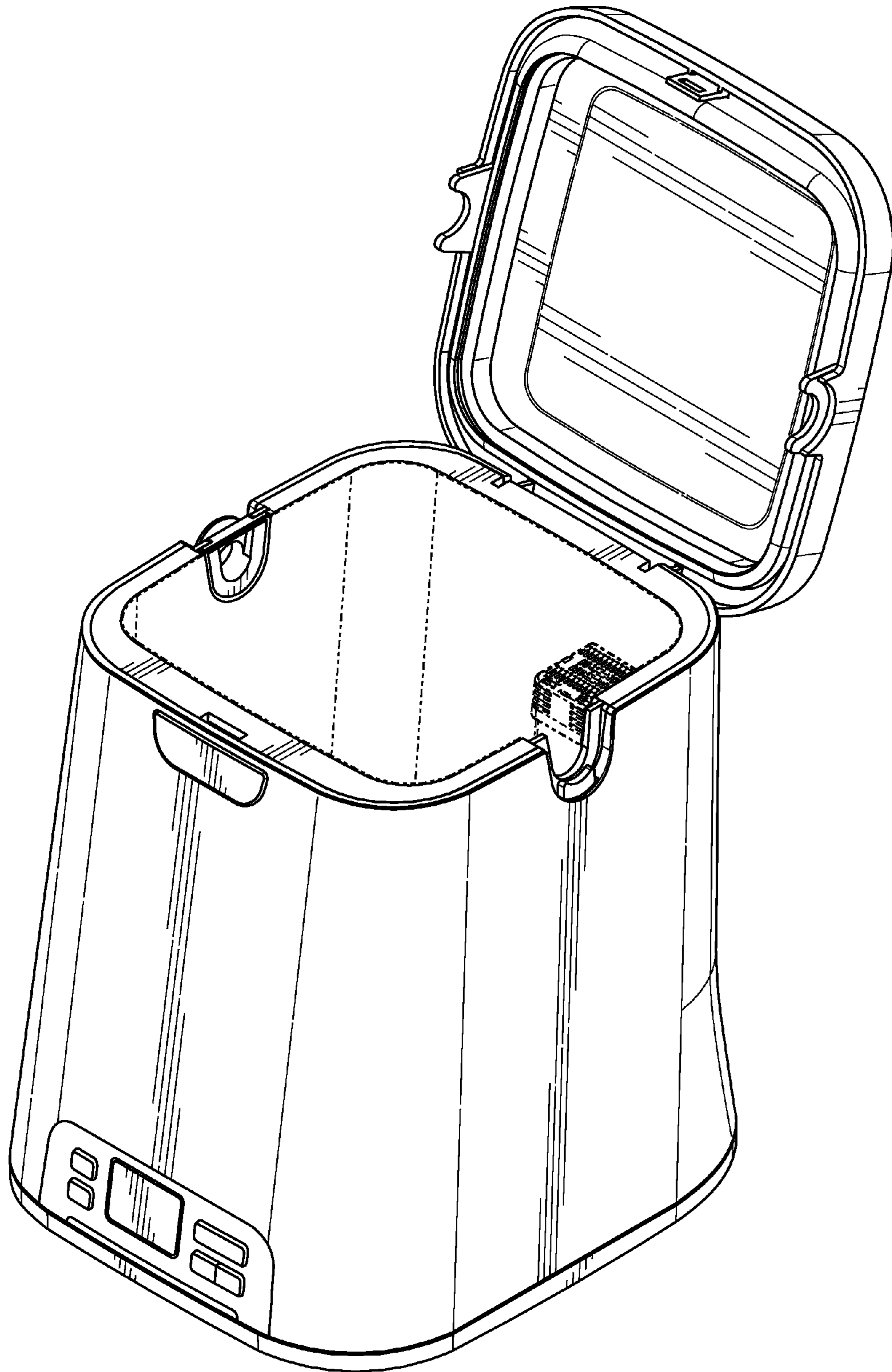


FIG. 1

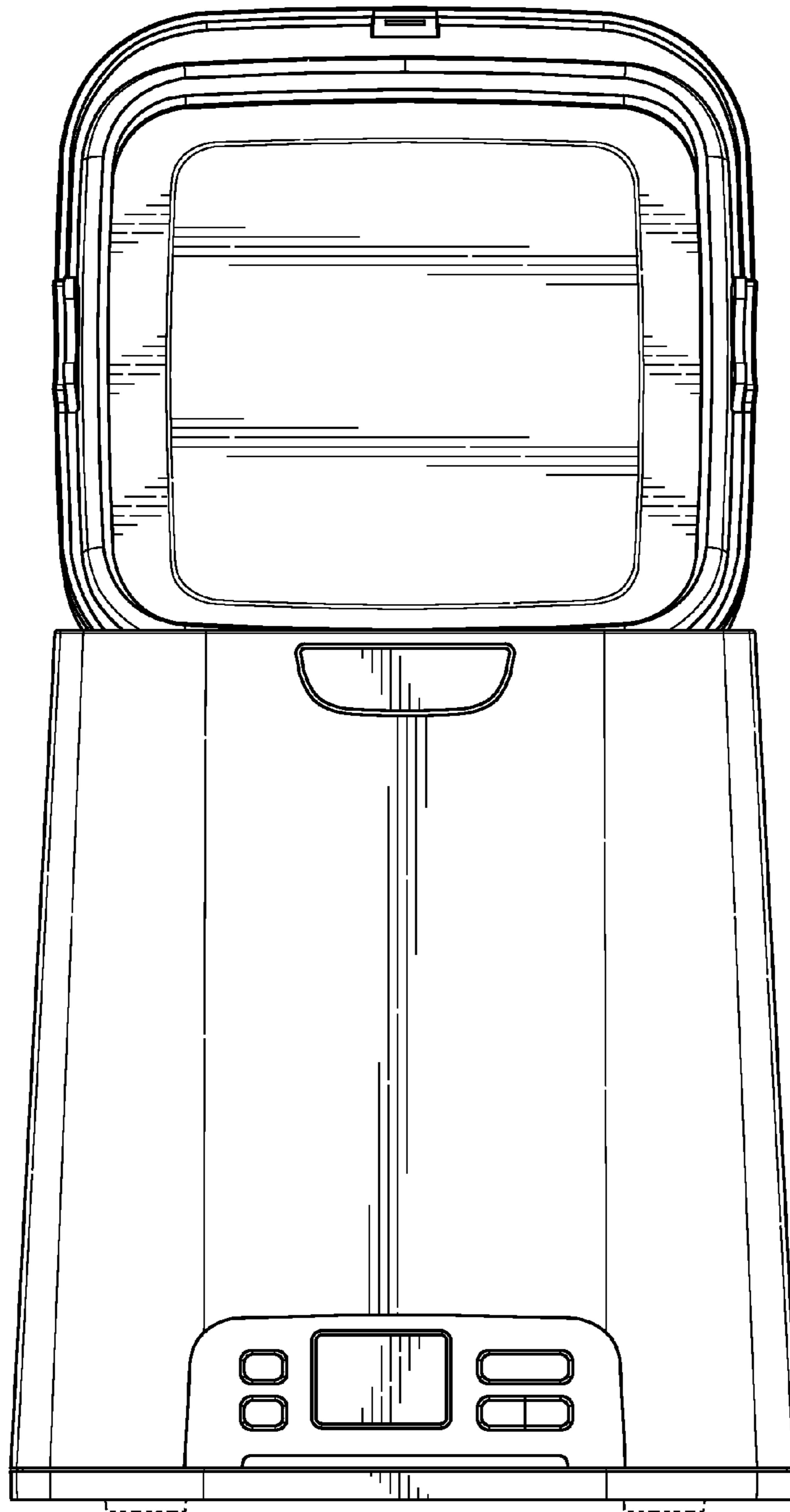


FIG. 2

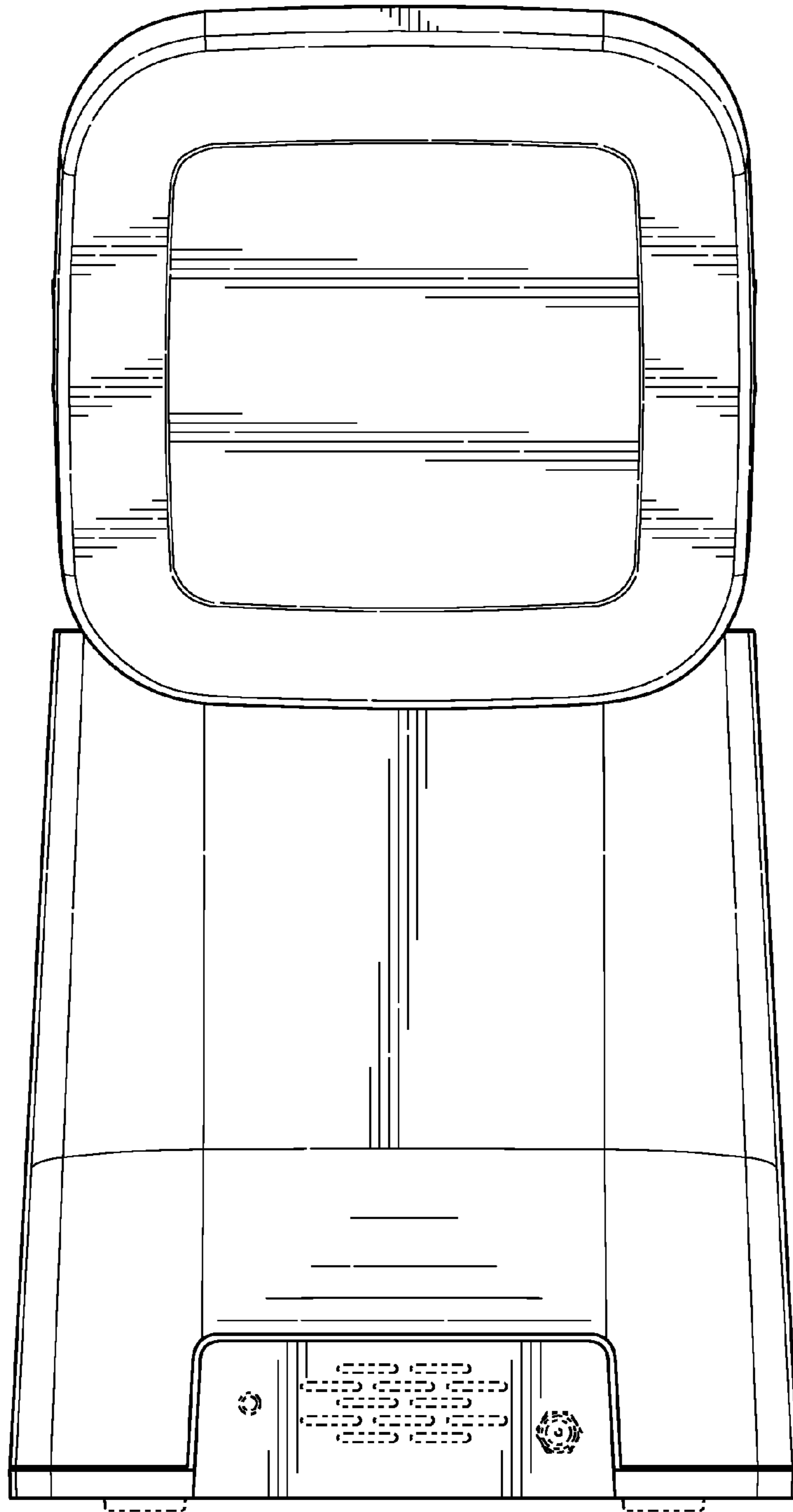


FIG. 3

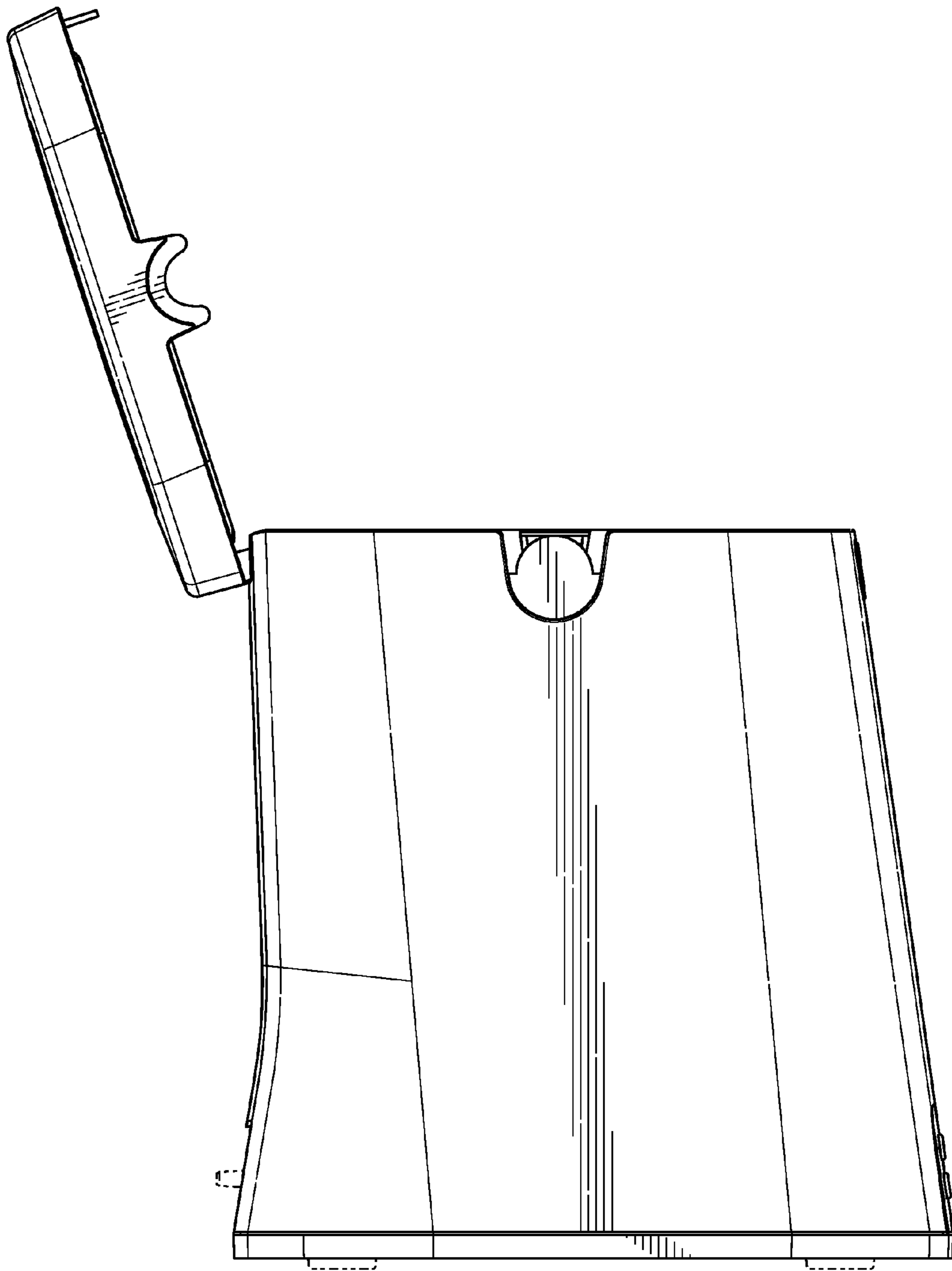


FIG. 4

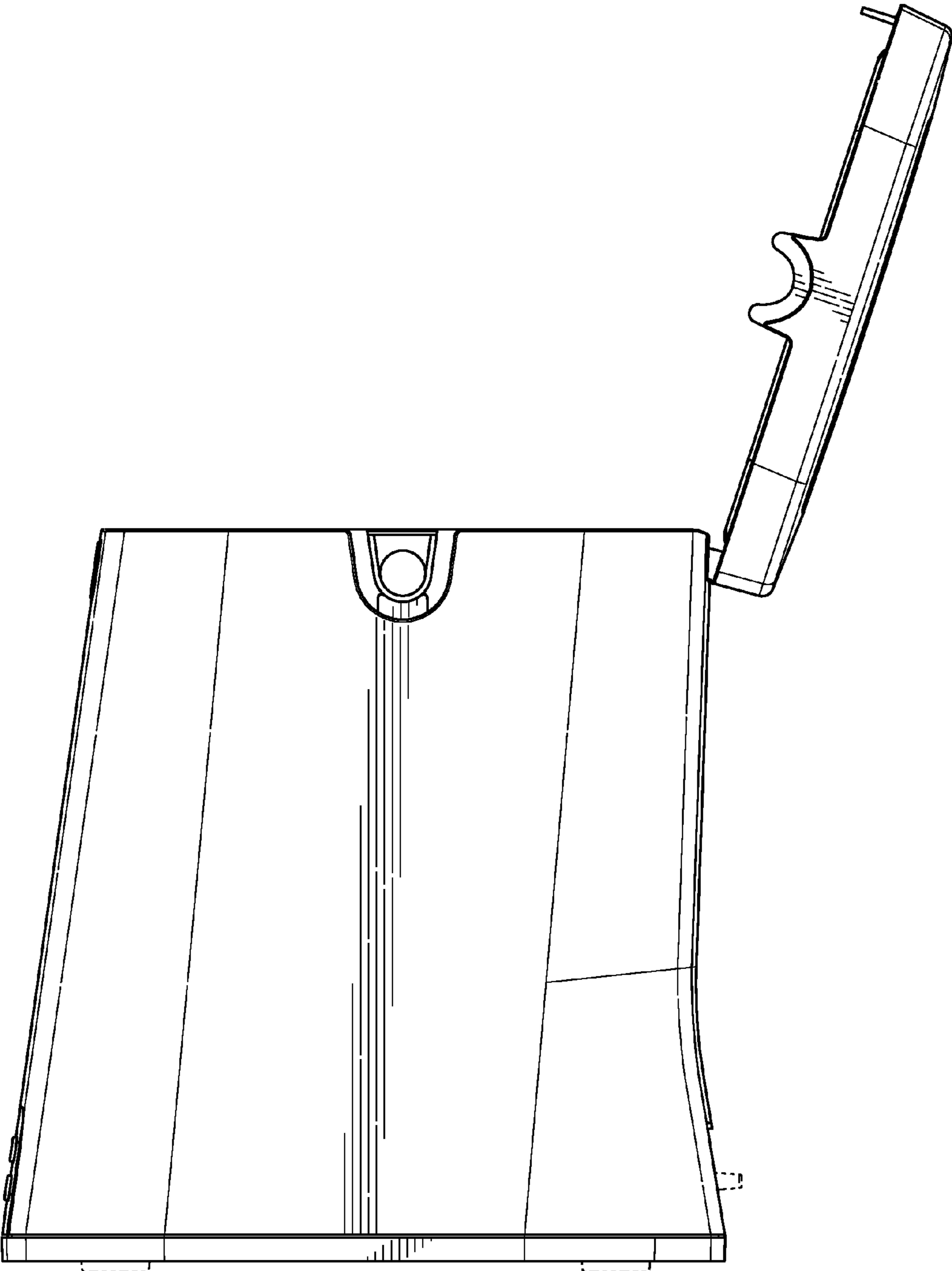


FIG. 5

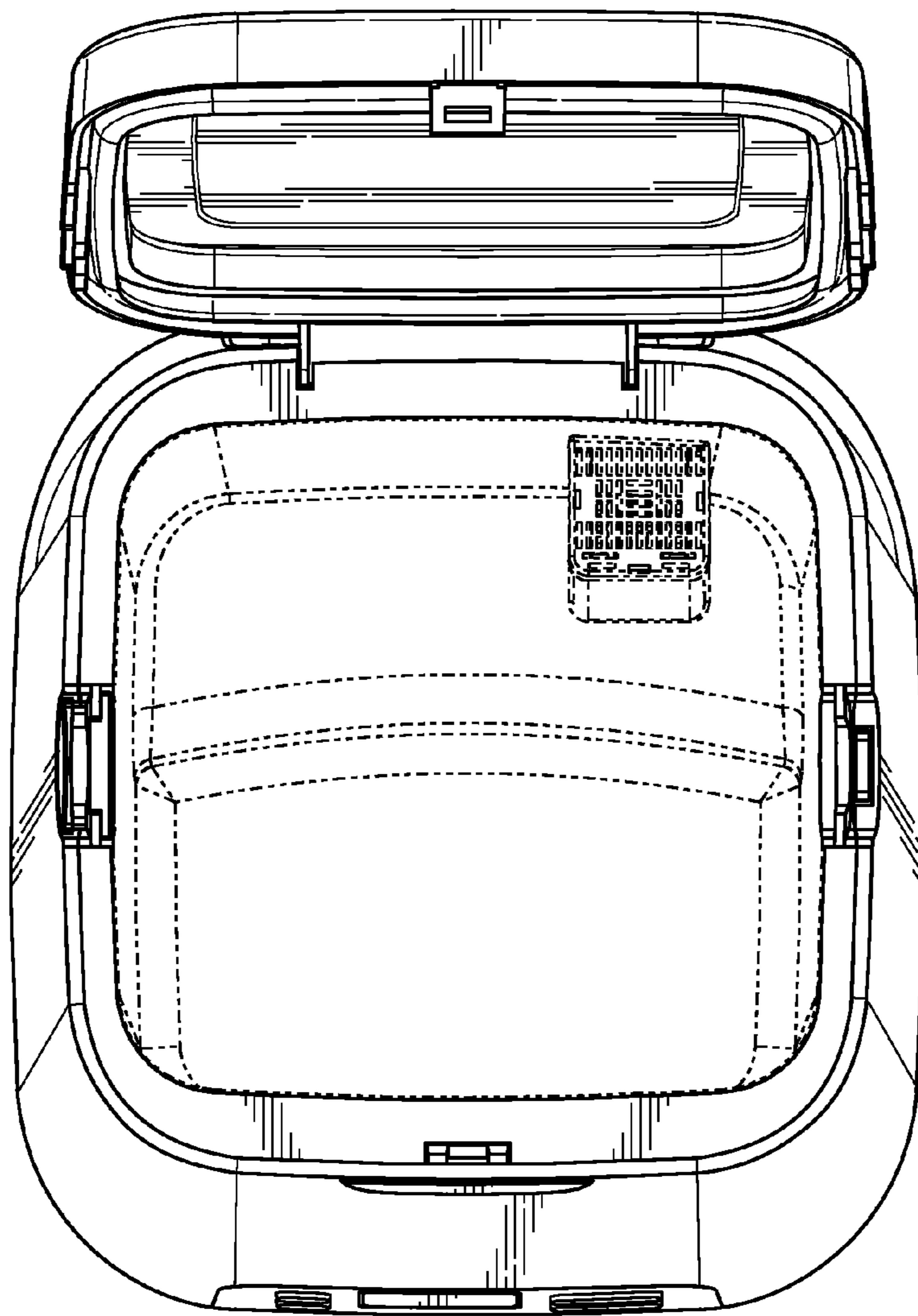


FIG. 6

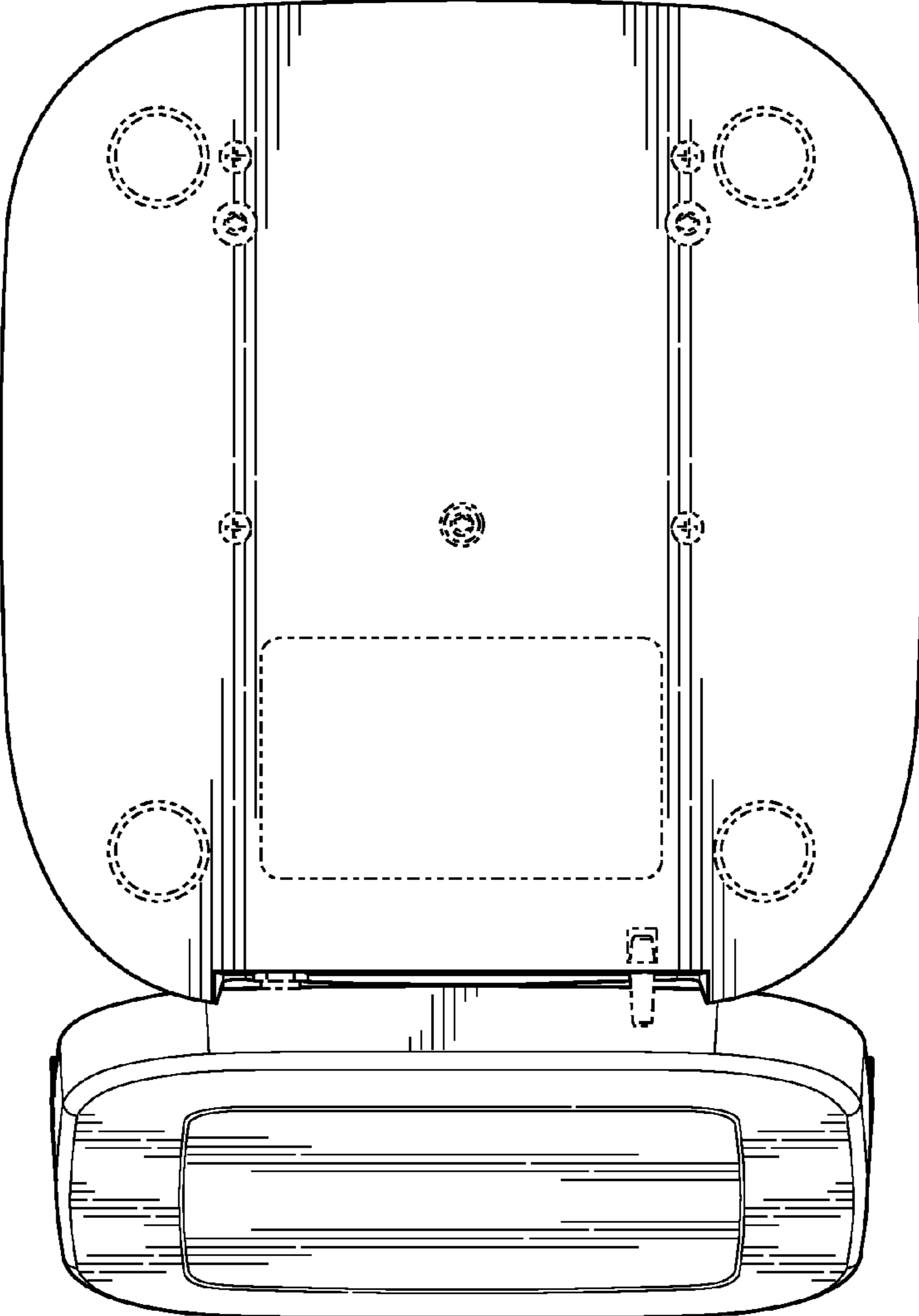


FIG. 7