



US00D719672S

(12) **United States Design Patent**  
**Dickinson et al.**

(10) **Patent No.:** **US D719,672 S**

(45) **Date of Patent:** **\*\* Dec. 16, 2014**

(54) **RECIRCULATING BATH**

(71) Applicant: **Thermo Fisher Scientific (Asheville) LLC, Asheville, NC (US)**

(72) Inventors: **Randall D. Dickinson, Kennebunk, ME (US); Robert A. Given, Salem, NH (US); Nathan Norman Lang, Rochester, NH (US)**

(73) Assignee: **Thermo Fisher Scientific (Asheville) LLC, Asheville, NC (US)**

(\*\*) Term: **14 Years**

(21) Appl. No.: **29/473,526**

(22) Filed: **Nov. 22, 2013**

(51) **LOC (10) Cl.** ..... **24-01**

(52) **U.S. Cl.**  
USPC ..... **D24/217**

(58) **Field of Classification Search**  
USPC ..... D24/216, 217, 218, 219, 227, 231, 232, D24/163, 194, 197; D32/1; 422/20, 21, 22, 422/24, 26, 297, 300, 303, 68.1, 436, 565; 220/529, 735; 206/370, 438; 219/438; 62/201, 288.3, 196.4

See application file for complete search history.

(56) **References Cited**

**U.S. PATENT DOCUMENTS**

3,985,511	A *	10/1976	Betts	.....	422/561
D288,600	S *	3/1987	Vander Hout et al.	.....	D24/217
D309,013	S *	7/1990	Vander Hout	.....	D24/217
D404,488	S *	1/1999	Raimann	.....	D24/163
D413,987	S *	9/1999	Eberle	.....	D24/219
D433,147	S *	10/2000	Florkey et al.	.....	D24/217
6,345,507	B1	2/2002	Gillen		
6,637,226	B2	10/2003	Watanabe et al.		

6,866,621	B1	3/2005	Muller et al.		
D566,347	S *	4/2008	Cao et al.	.....	D32/1
D652,930	S *	1/2012	Okamoto et al.	.....	D24/163
2007/0158250	A1 *	7/2007	Dickinson et al.	.....	210/184
2010/0045105	A1	2/2010	Bovio et al.		
2012/0263608	A1	10/2012	Dickinson et al.		

**OTHER PUBLICATIONS**

Brochure, XuTemp Temptech Co., Ltd., Prime Edition, Copyright 2013-2016, 12 pages.

\* cited by examiner

*Primary Examiner* — Anhdao Doan

(74) *Attorney, Agent, or Firm* — Wood, Herron & Evans, LLP

(57) **CLAIM**

The ornamental design for a recirculating bath, as shown and described.

**DESCRIPTION**

FIG. 1 is a top right isometric view of our new recirculating bath design;

FIG. 2 is a top left isometric view thereof;

FIG. 3 is a bottom left isometric view thereof;

FIG. 4 is a bottom right isometric view thereof;

FIG. 5 is a front elevational view thereof;

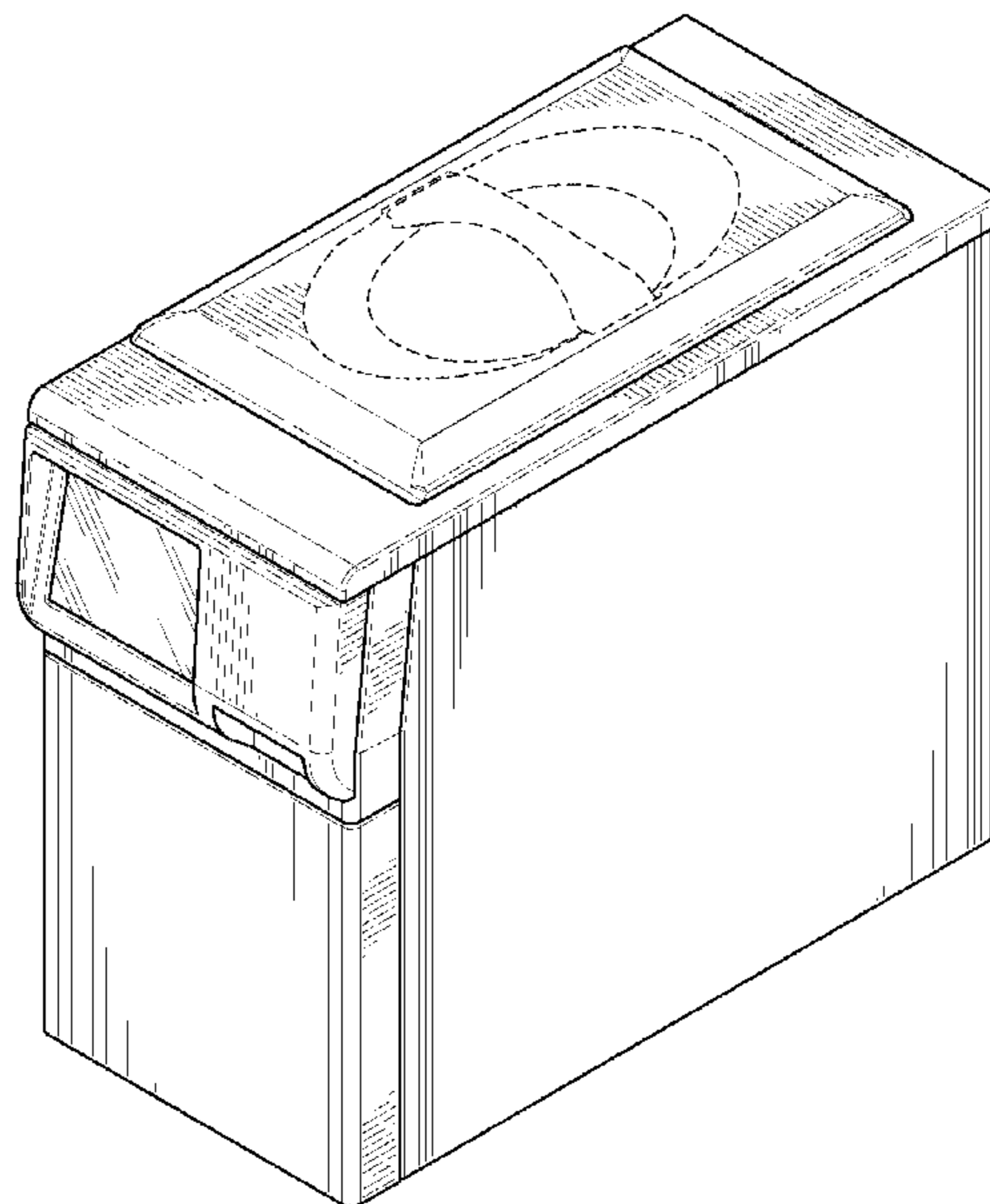
FIG. 6 is a rear elevational view thereof;

FIG. 7 is a right side elevational view thereof, a left side elevational view is a mirror image of FIG. 7; and,

FIG. 8 is a top plan view thereof.

The features of the recirculating bath shown in broken dash lines which define the bounds of the claimed design are for illustrative purposes only and form no part of the claimed design.

**1 Claim, 7 Drawing Sheets**



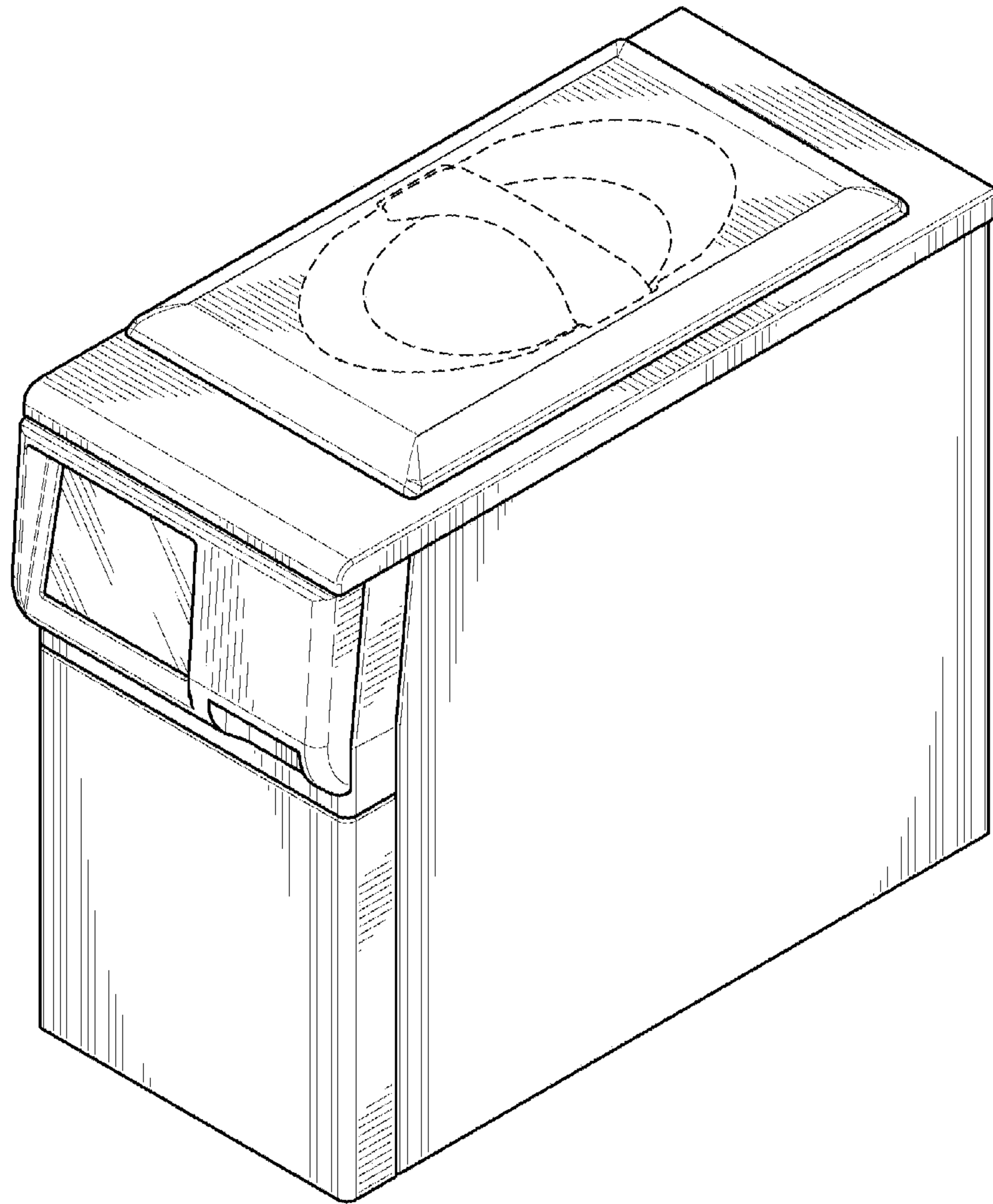


FIG. 1

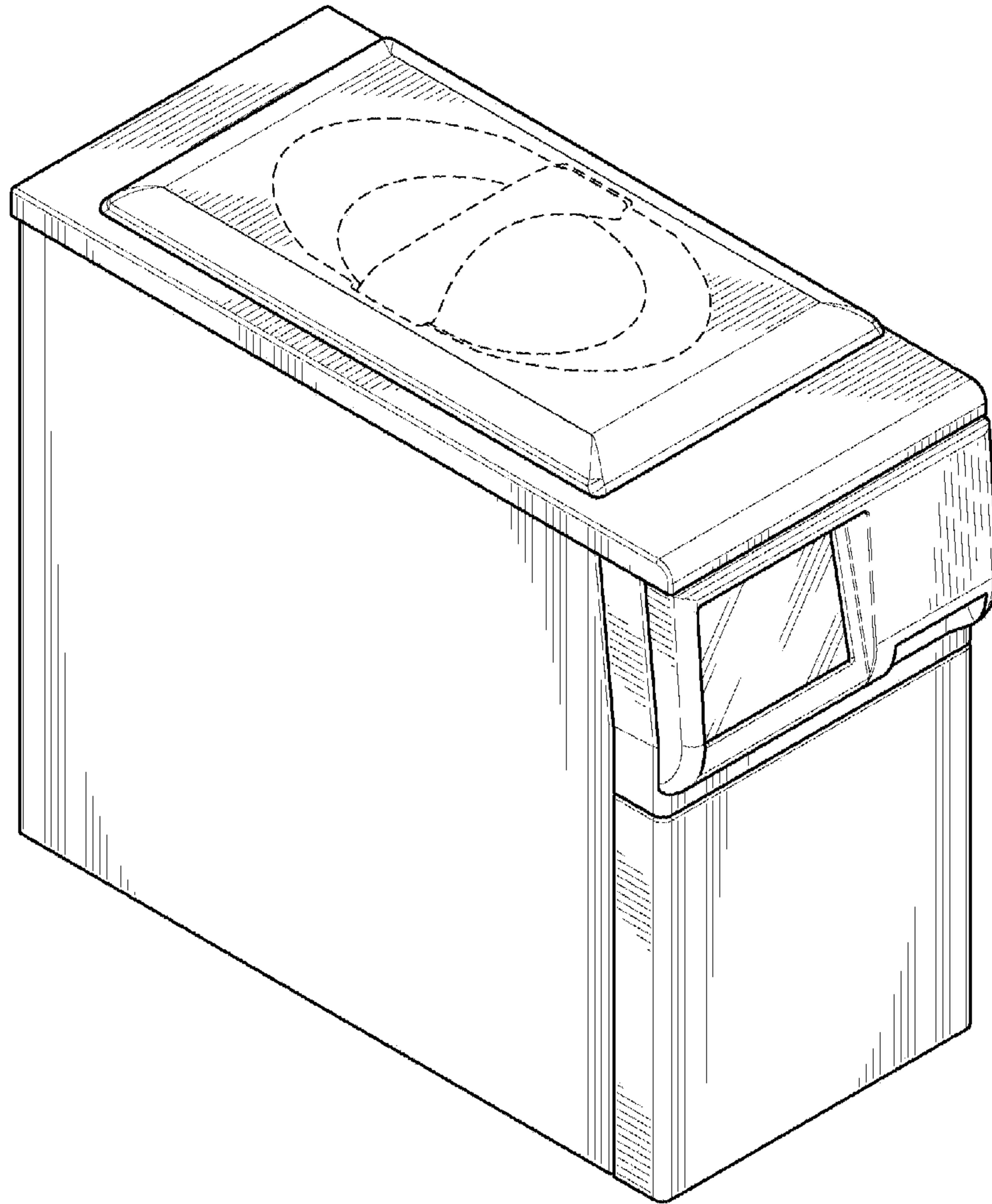


FIG. 2

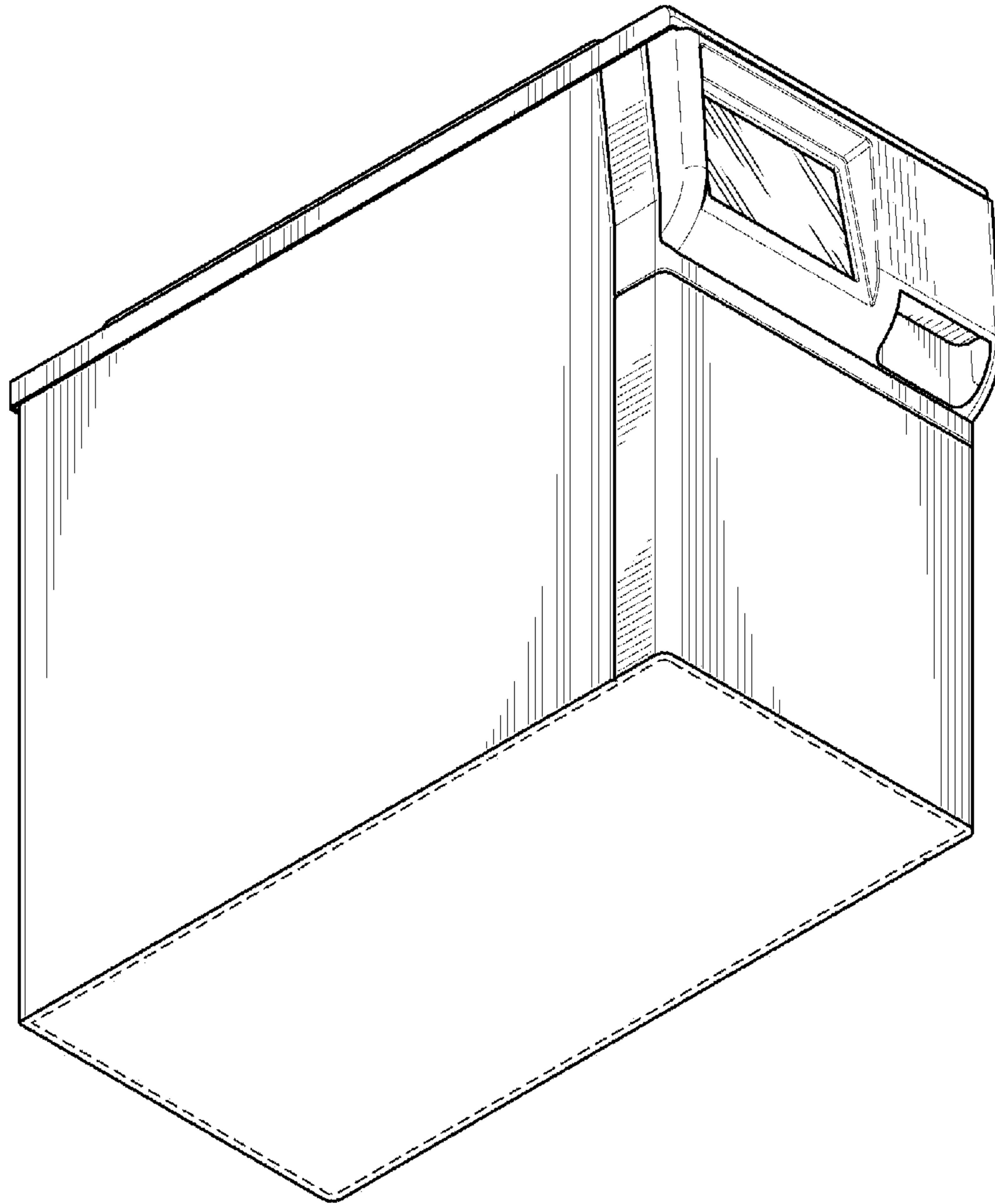


FIG. 3

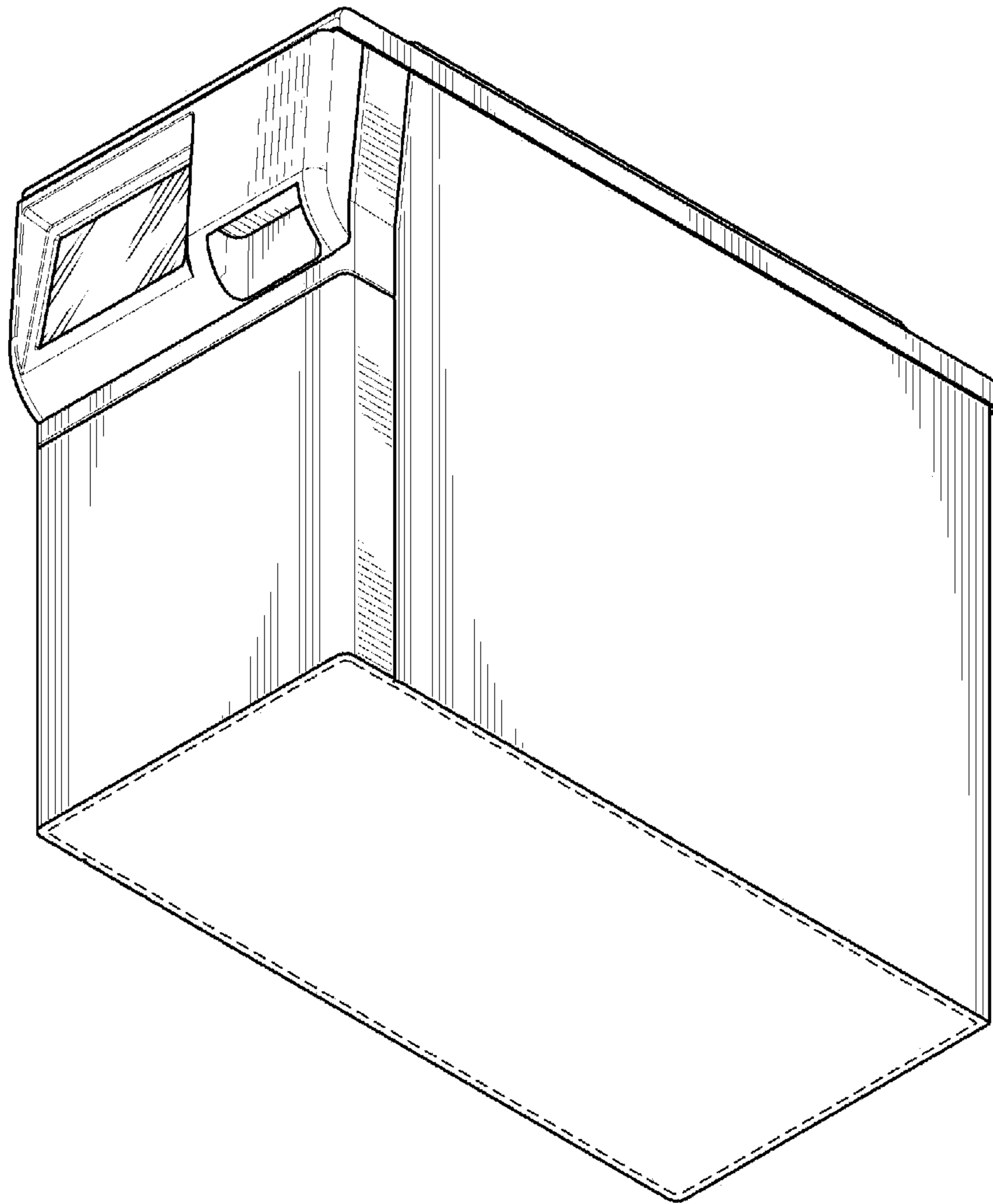


FIG. 4



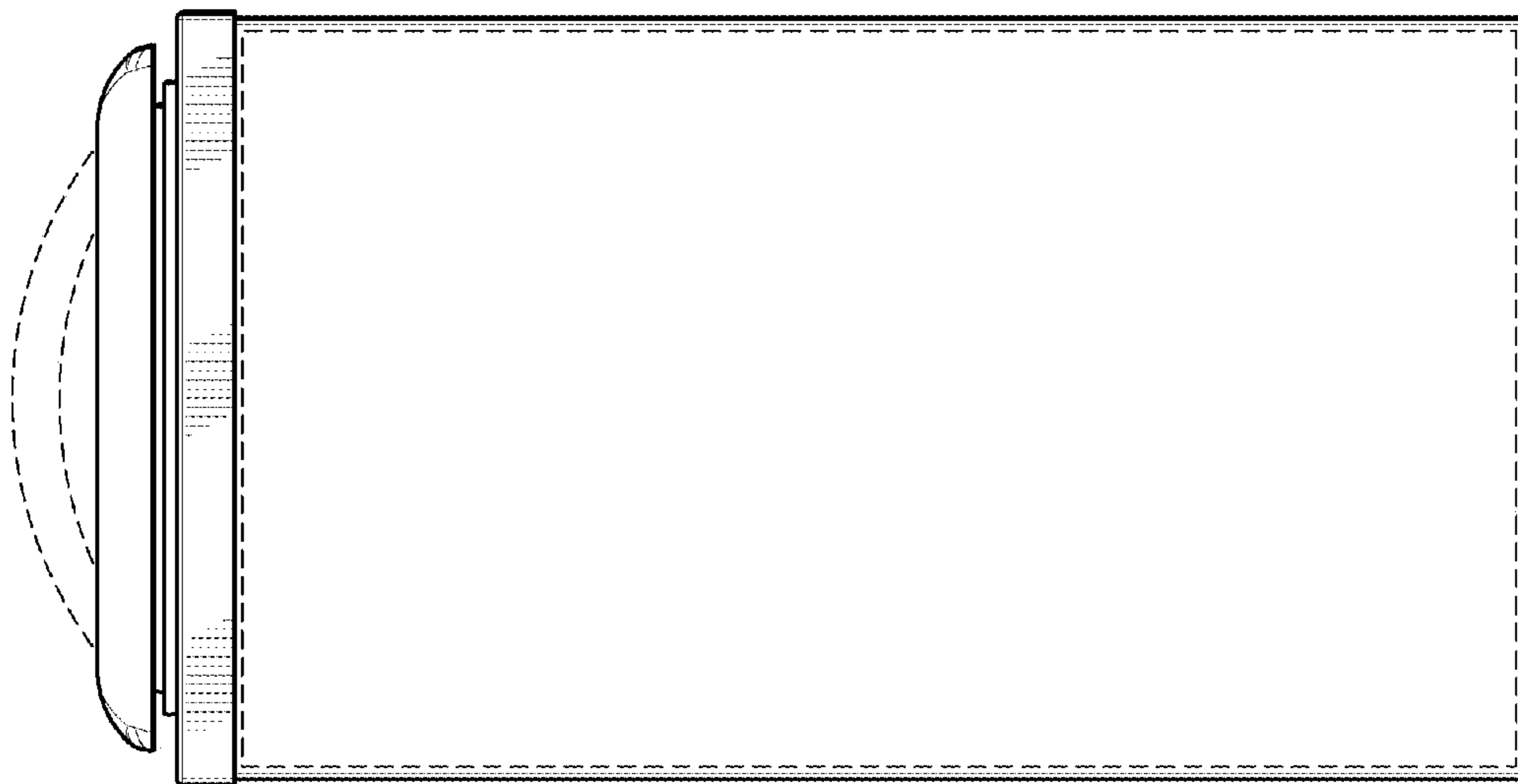


FIG. 6

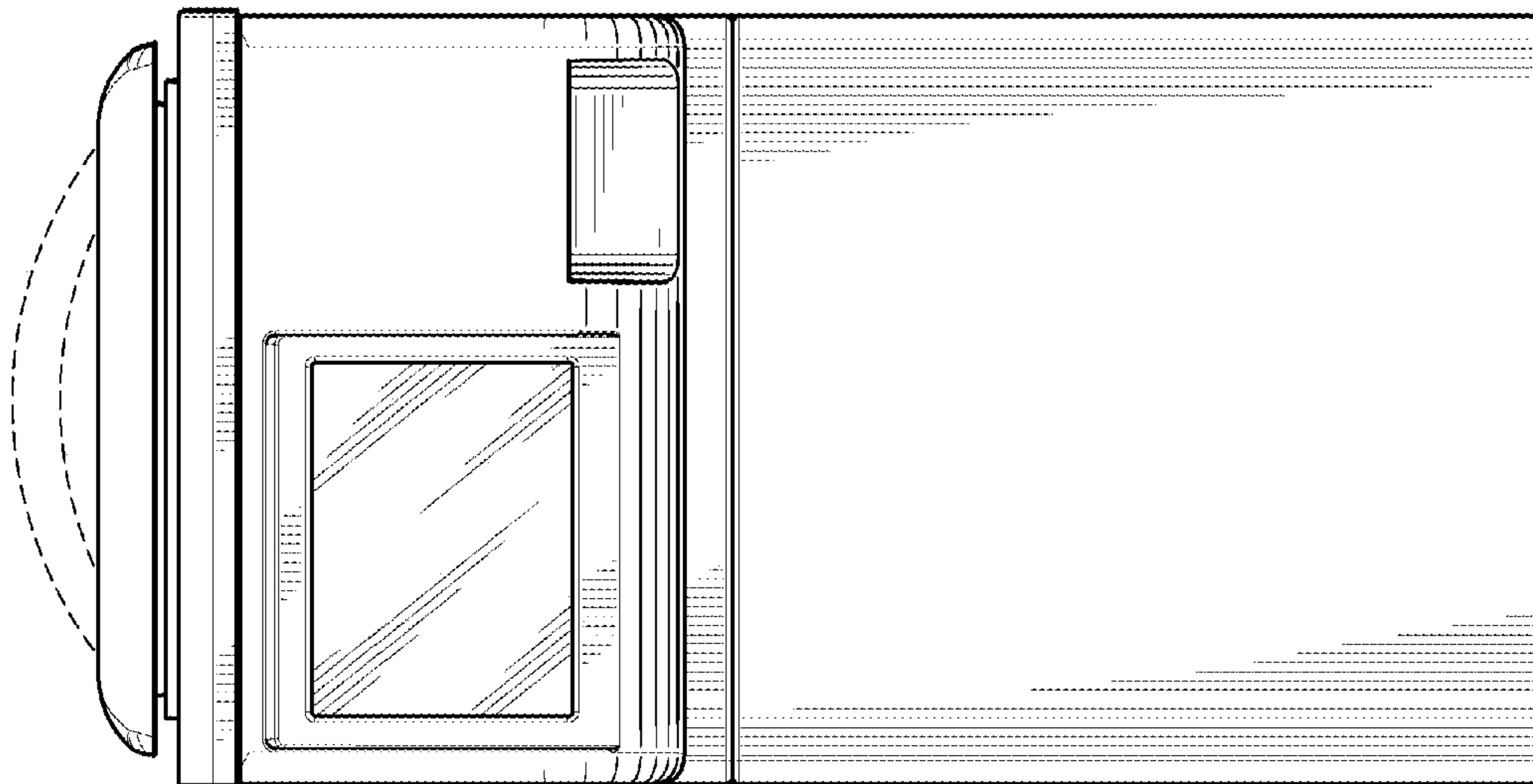


FIG. 5

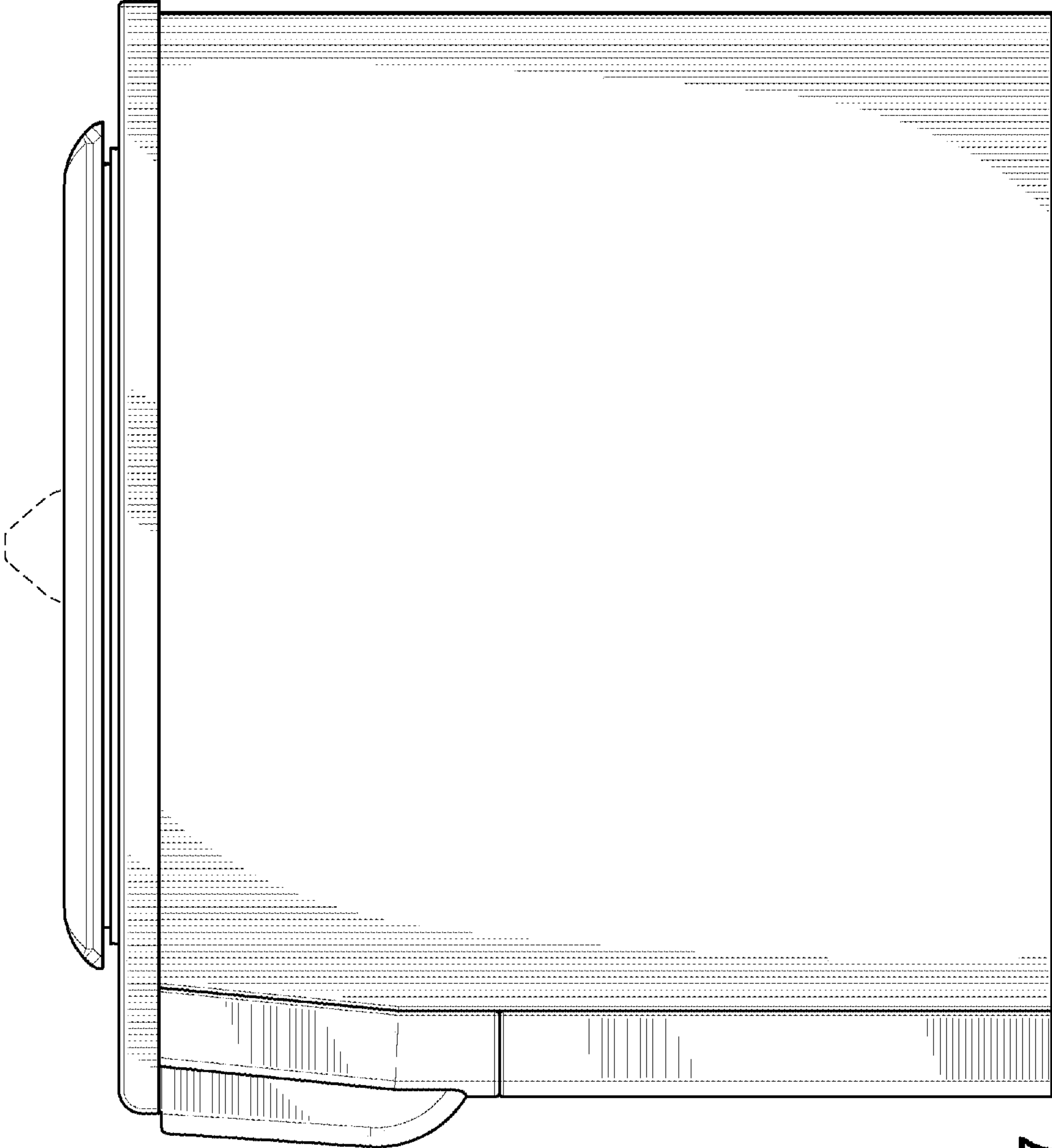


FIG. 7

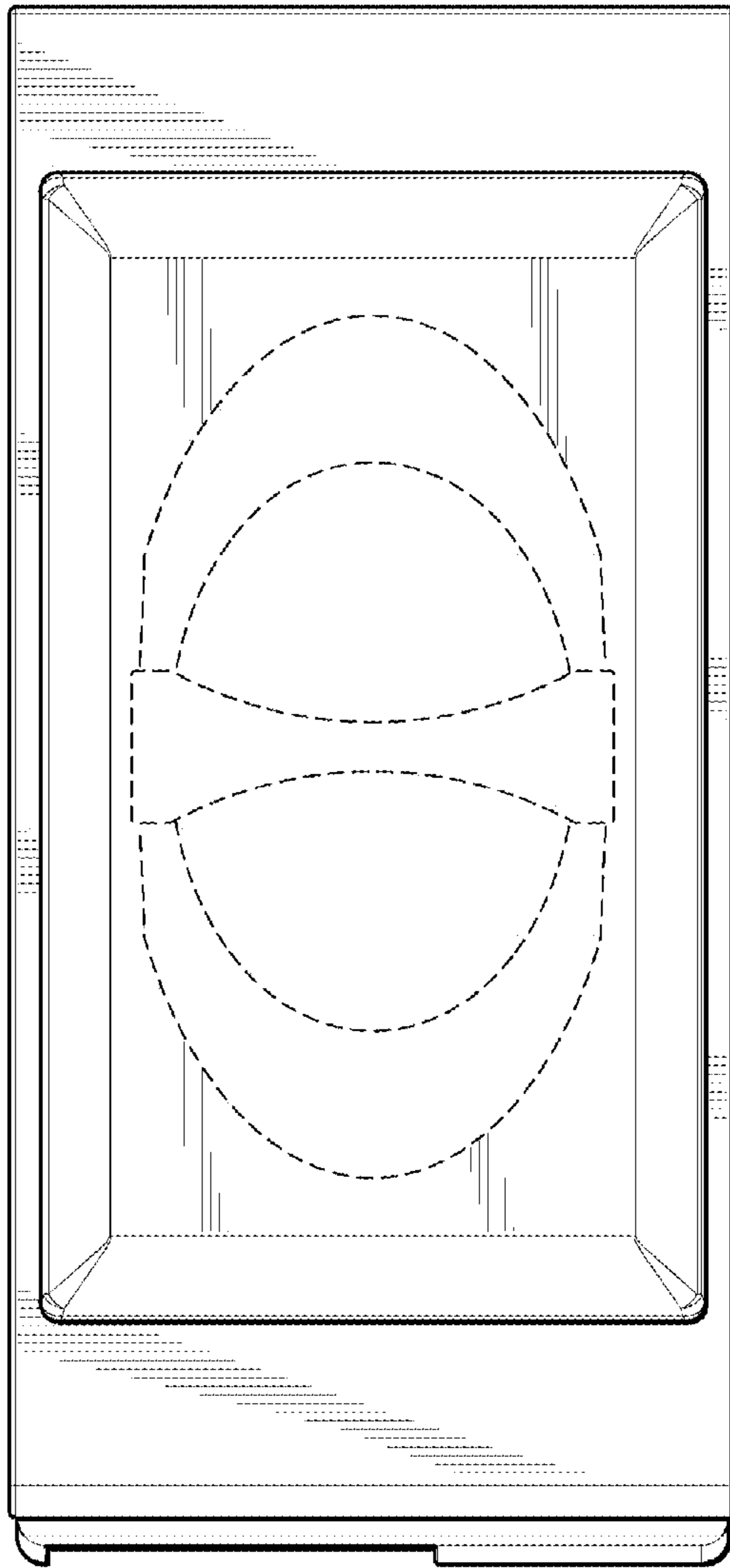


FIG. 8