



US00D719670S

(12) **United States Design Patent**  
**Nishikawa et al.**

(10) **Patent No.:** **US D719,670 S**

(45) **Date of Patent:** **\*\* Dec. 16, 2014**

(54) **LIQUID CHROMATOGRAPH**

(71) Applicant: **Sekisui Medical Co., Ltd.**, Tokyo (JP)

(72) Inventors: **Masato Nishikawa**, Osaka (JP);  
**Takayuki Oka**, Tokyo (JP); **Takuya Yotani**, Tokyo (JP)

(73) Assignee: **Sekisui Medical Co., Ltd.**, Tokyo (JP)

(\*\*) Term: **14 Years**

(21) Appl. No.: **29/480,092**

(22) Filed: **Jan. 23, 2014**

(30) **Foreign Application Priority Data**

Jul. 26, 2013 (JP) ..... 2013-017068

(51) **LOC (10) Cl.** ..... **24-01**

(52) **U.S. Cl.**

USPC ..... **D24/216; D24/232**

(58) **Field of Classification Search**

USPC ..... D24/216, 219, 223, 231, 232, 233, 186,  
D24/107; D10/81; 96/102, 105, 107;  
436/161; 73/863.01, 863.02, 863.03,  
73/863.31, 863.32; 250/288; 530/413;  
210/635, 656, 657, 198.2

See application file for complete search history.

(56) **References Cited**

U.S. PATENT DOCUMENTS

5,223,222	A	*	6/1993	Ricchio et al.	.....	422/63
D356,967	S	*	4/1995	Takekoshi et al.	.....	D10/81
D364,576	S	*	11/1995	Glaser	.....	D10/81
D422,925	S	*	4/2000	Glaser et al.	.....	D10/81
D599,234	S	*	9/2009	Ito	.....	D10/81
D599,236	S	*	9/2009	Oberg	.....	D10/81
D637,931	S	*	5/2011	Kimura et al.	.....	D10/81
D661,607	S	*	6/2012	Dinter et al.	.....	D10/81
D692,157	S	*	10/2013	Matoba et al.	.....	D24/216
D693,713	S	*	11/2013	Noda et al.	.....	D24/232

\* cited by examiner

*Primary Examiner* — Anhdao Doan

(74) *Attorney, Agent, or Firm* — Bacon & Thomas, PLLC

(57) **CLAIM**

The ornamental design for liquid chromatograph, as shown and described.

**DESCRIPTION**

FIG. 1 is a perspective view of the Invention.  
FIG. 2 is a front view of the Invention.  
FIG. 3 is a rear view of the Invention.  
FIG. 4 is a top plan view of the Invention.  
FIG. 5 is a bottom plan view of the Invention.  
FIG. 6 is a right side view of the Invention.  
FIG. 7 is a left side view of the Invention; and,  
FIG. 8 is a cross section view taken along line 8-8 of FIG. 2.  
The broken lines illustrate unclaimed portions of the liquid chromatograph and form no part of the claimed design.

**1 Claim, 8 Drawing Sheets**

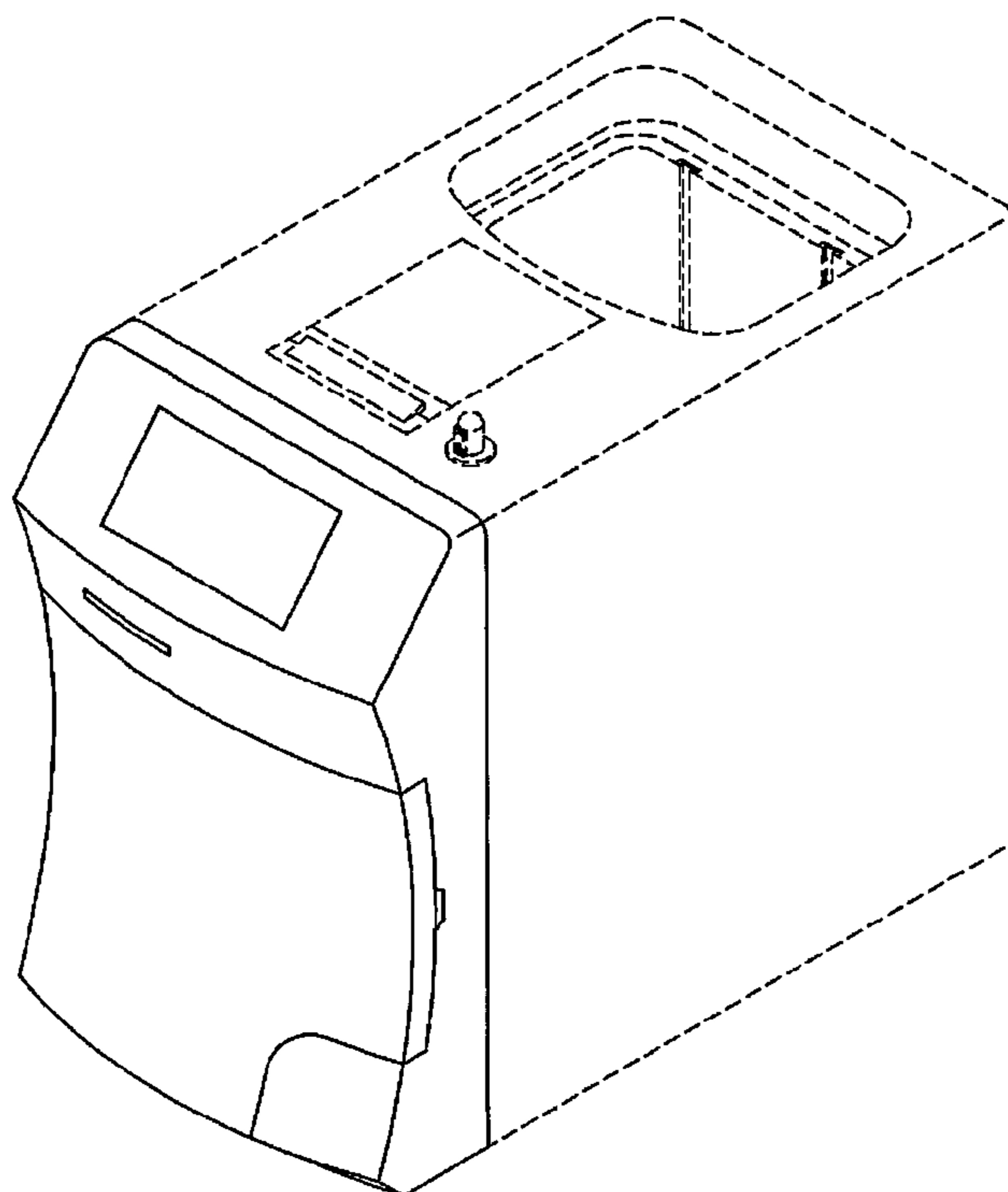


Fig. 1

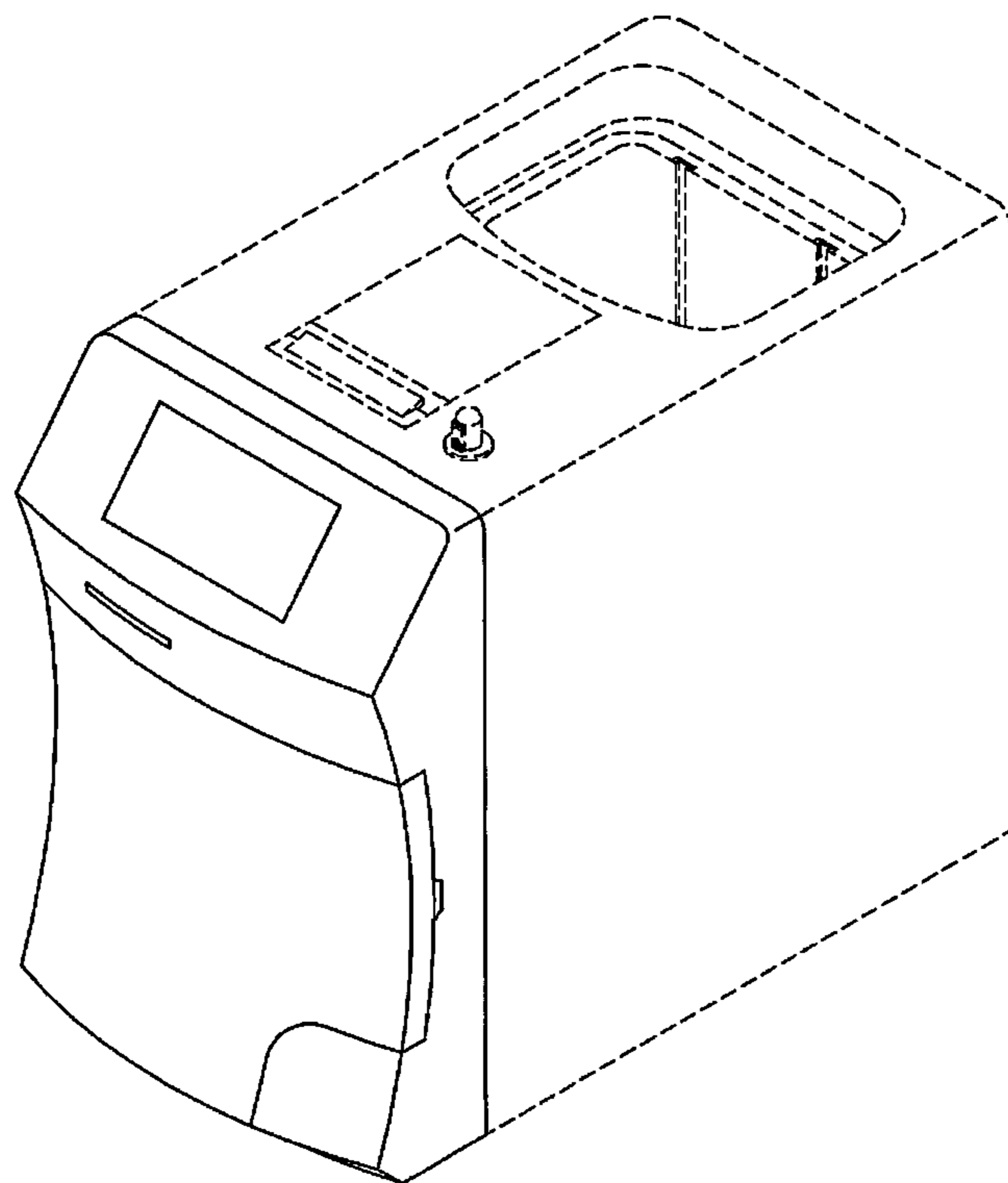


Fig. 2

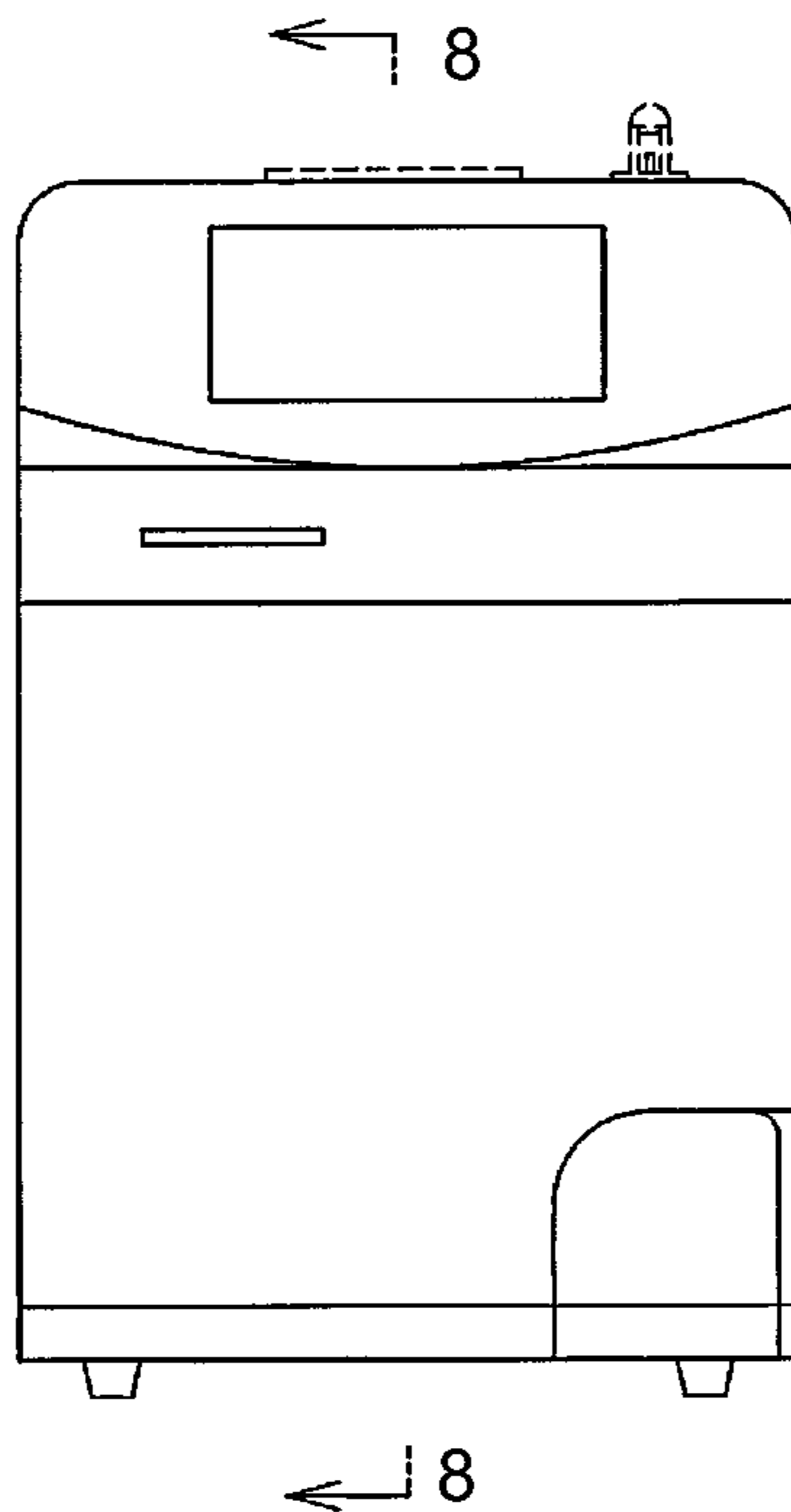


Fig. 3

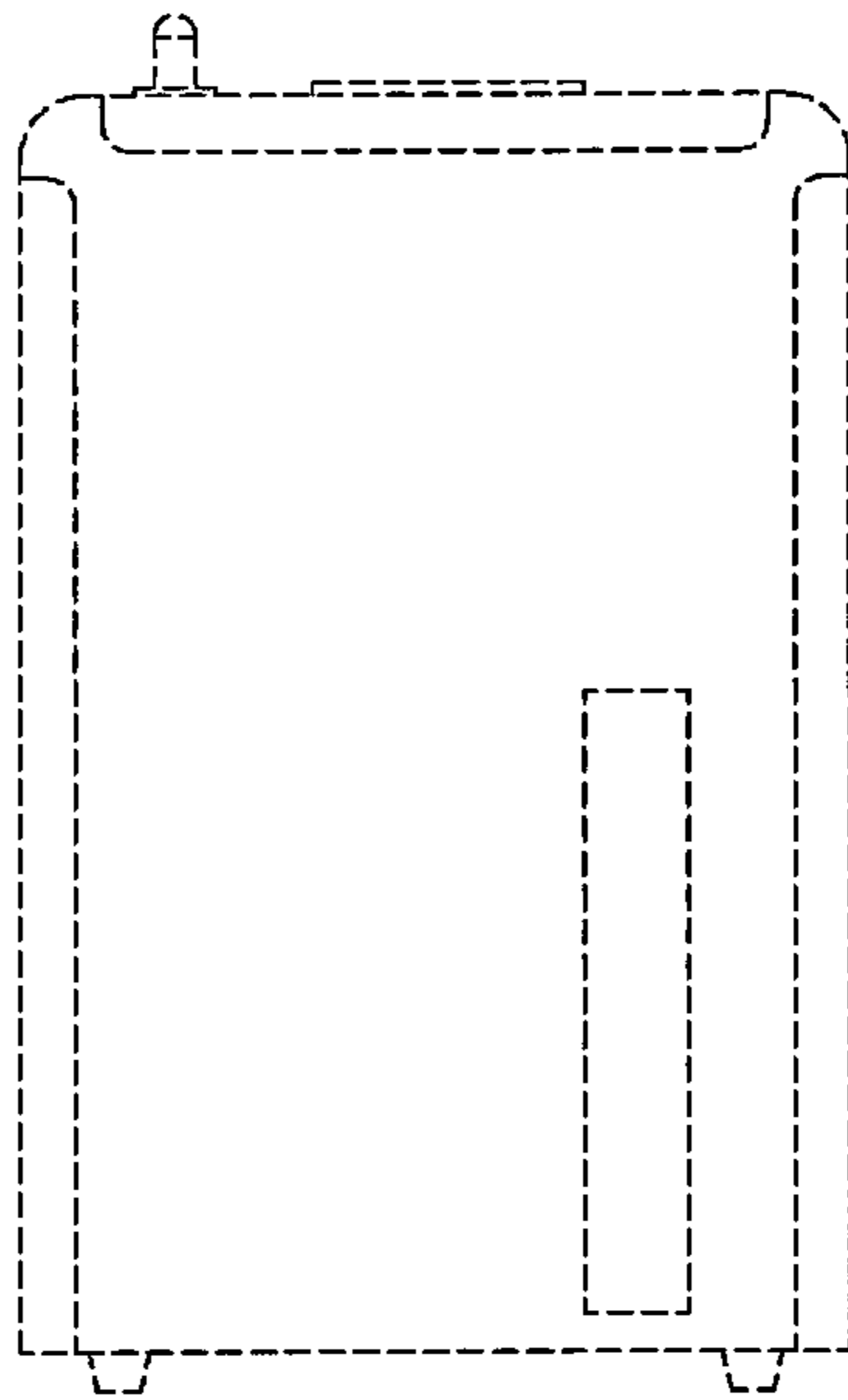


Fig. 4

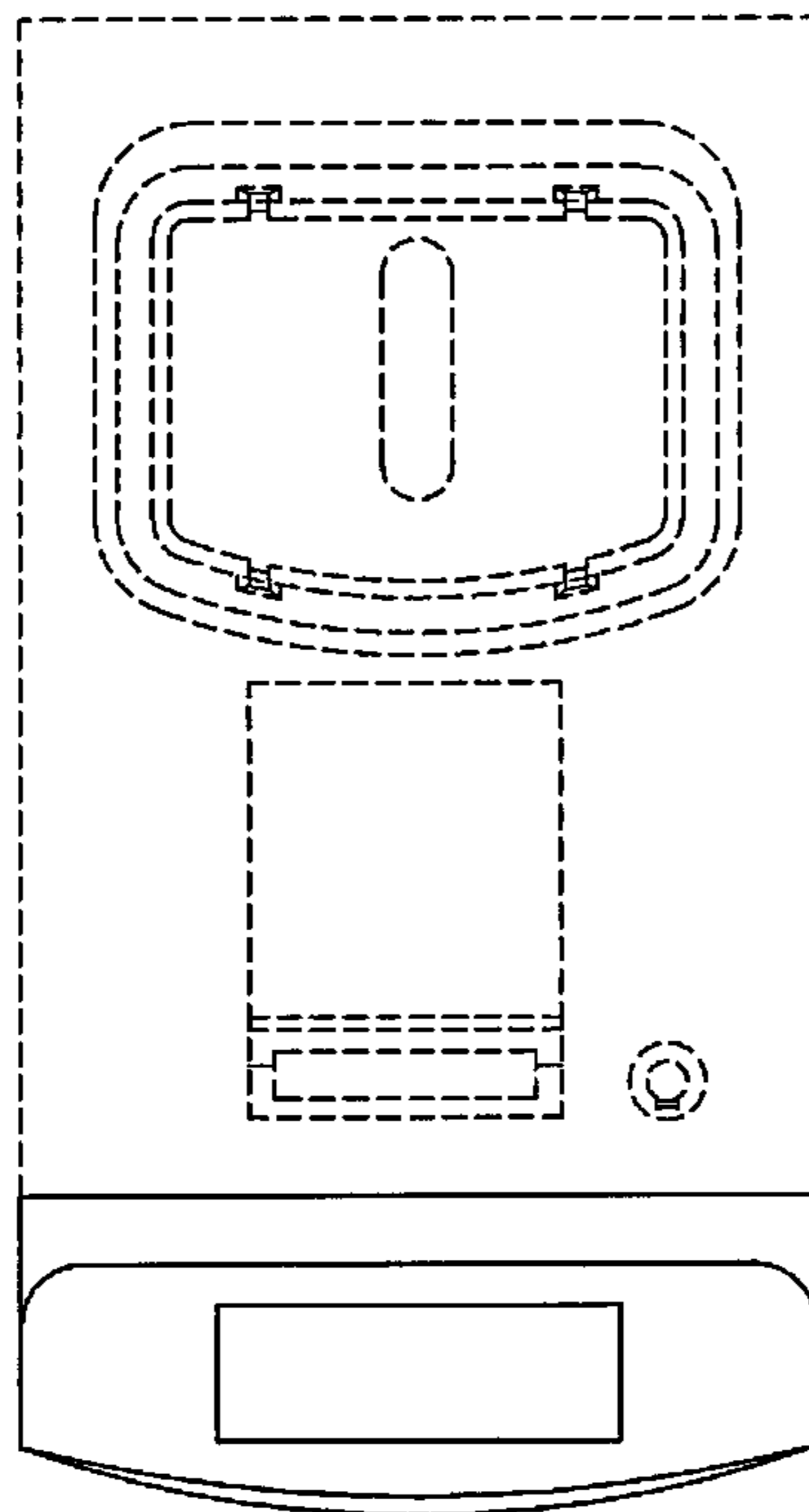


Fig. 5

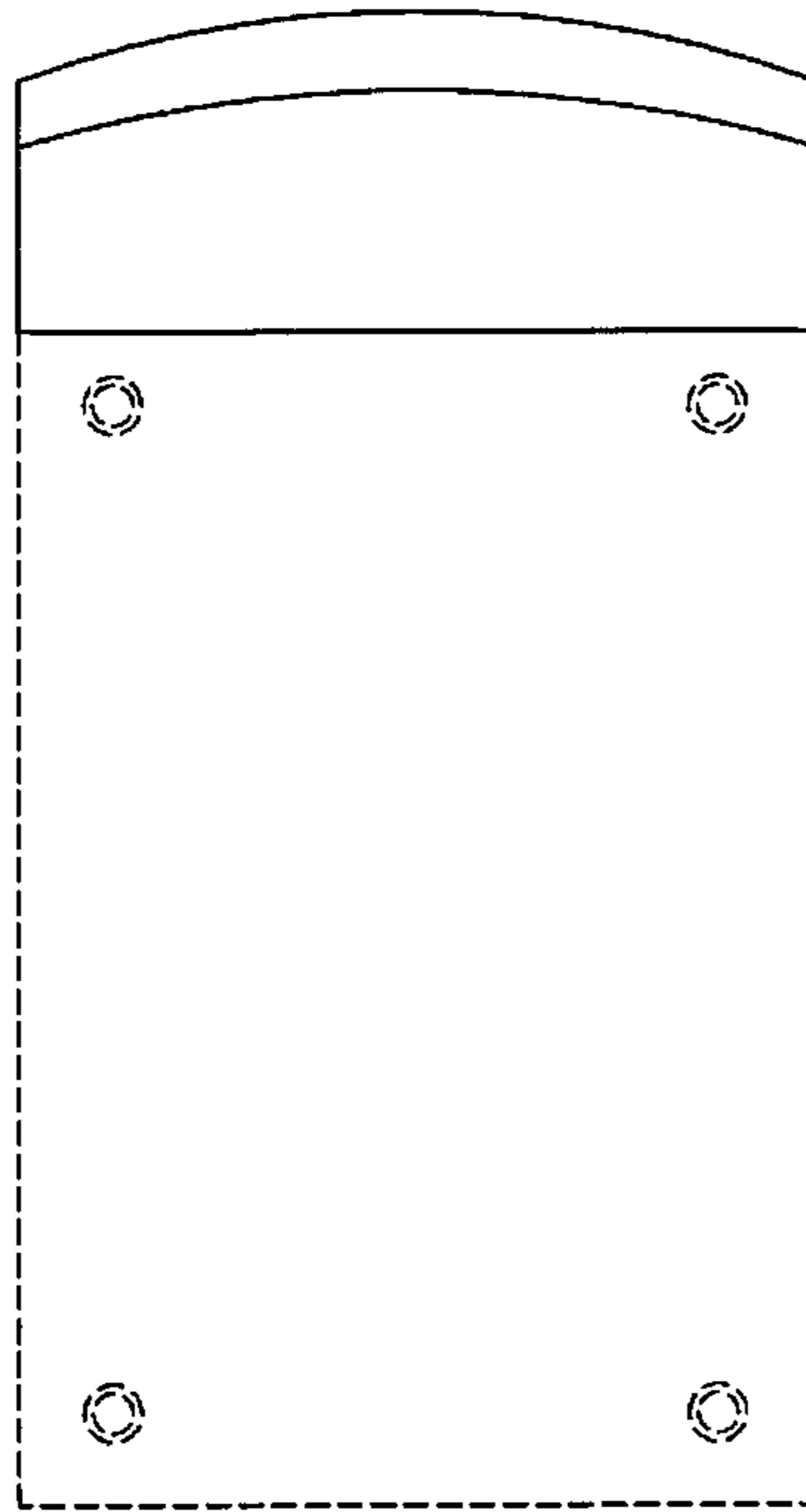


Fig. 6

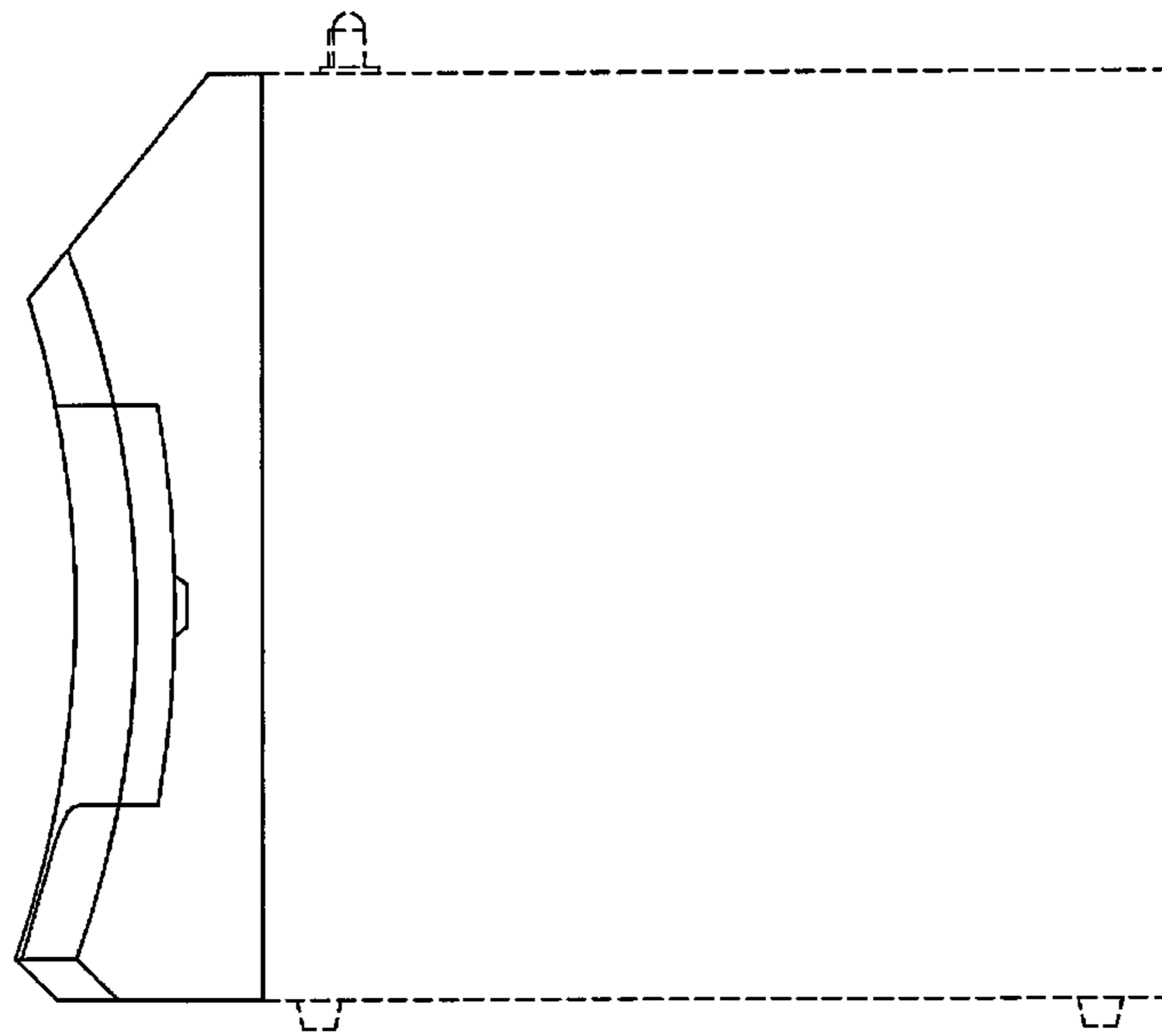


Fig. 7

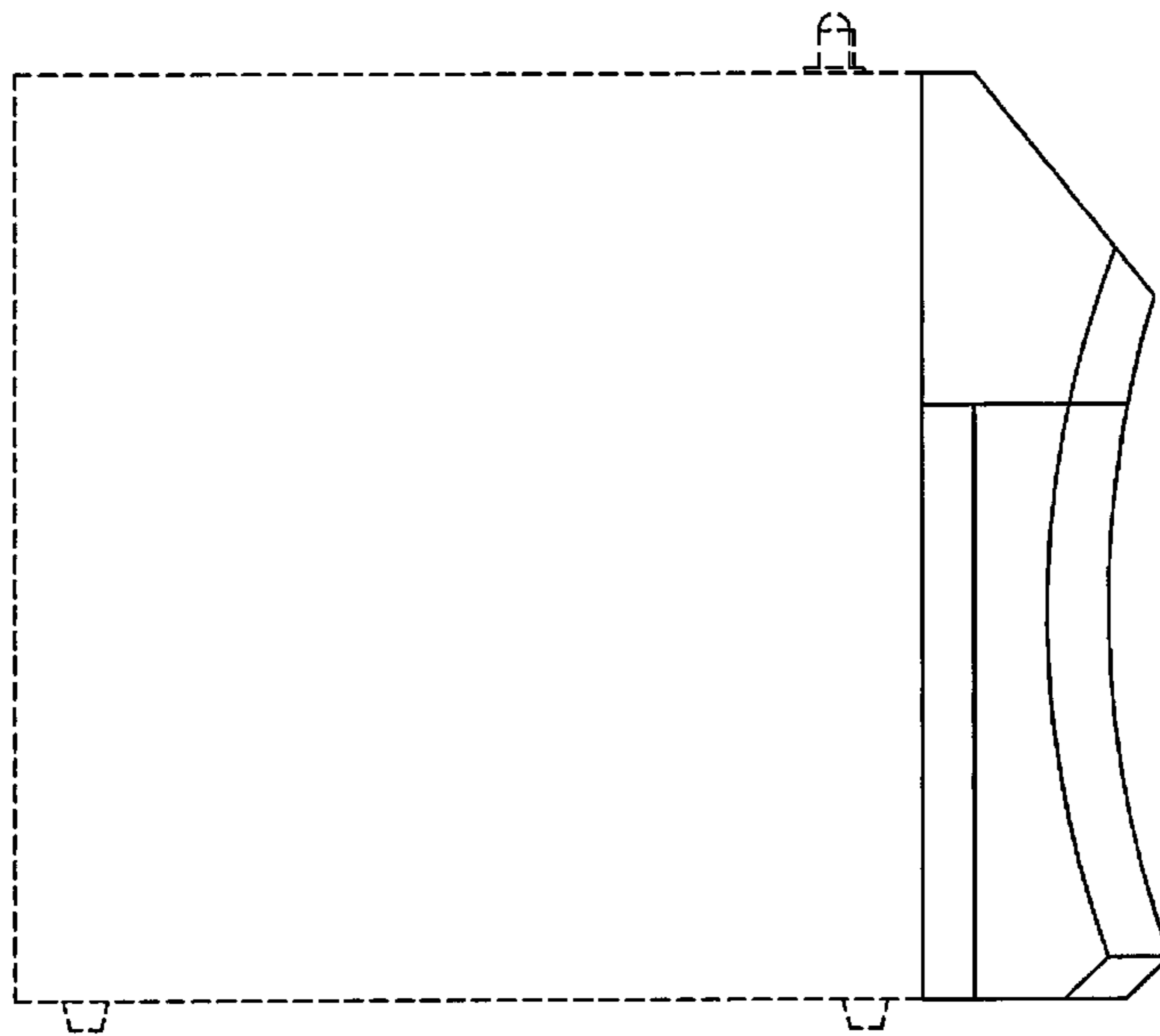




Fig. 8

