



US00D719669S

(12) **United States Design Patent**
Gutmann et al.

(10) **Patent No.:** **US D719,669 S**

(45) **Date of Patent:** **** Dec. 16, 2014**

(54) **INSTRUMENT FOR MEDICAL AND LABORATORY DIAGNOSIS**

(56) **References Cited**

U.S. PATENT DOCUMENTS

(71) Applicant: **Roche Molecular Systems, Inc.**,
Pleasanton, CA (US)

(72) Inventors: **Peter Gutmann**, Thalwil (CH); **Jan Muegel**, Berlin (DE); **Therese Naef**, Nussbaumen (CH); **Britta Pukall**, Waedenswil (CH); **Johann Florian Wassermann**, Horgen (CH)

D245,352 S * 8/1977 Moran D10/81
4,078,895 A * 3/1978 Moran 422/66
D304,307 S * 10/1989 Nagai et al. D24/232
D320,073 S * 9/1991 Sakagami et al. D24/232
D346,027 S * 4/1994 Kobayashi D24/186
D399,964 S * 10/1998 Katayama et al. D24/186
6,827,902 B1 * 12/2004 Kuriyama et al. 422/65
7,458,483 B2 * 12/2008 Luoma, II 422/64
D645,367 S * 9/2011 Hayashi et al. D10/81
D672,471 S * 12/2012 Franco et al. D24/232
D676,568 S * 2/2013 Liu et al. D24/216
D681,226 S * 4/2013 Oonuma et al. D24/216

(73) Assignee: **Roche Molecular Systems Inc.**,
Pleasanton, CA (US)

* cited by examiner

(**) Term: **14 Years**

Primary Examiner — Anhdao Doan

(74) *Attorney, Agent, or Firm* — David J. Chang

(21) Appl. No.: **29/468,978**

(57) **CLAIM**

The ornamental design for an instrument for medical and laboratory diagnosis, as shown and described.

(22) Filed: **Oct. 4, 2013**

DESCRIPTION

(30) **Foreign Application Priority Data**

Apr. 29, 2013 (WO) DM/081 488

(51) **LOC (10) Cl.** **24-01**

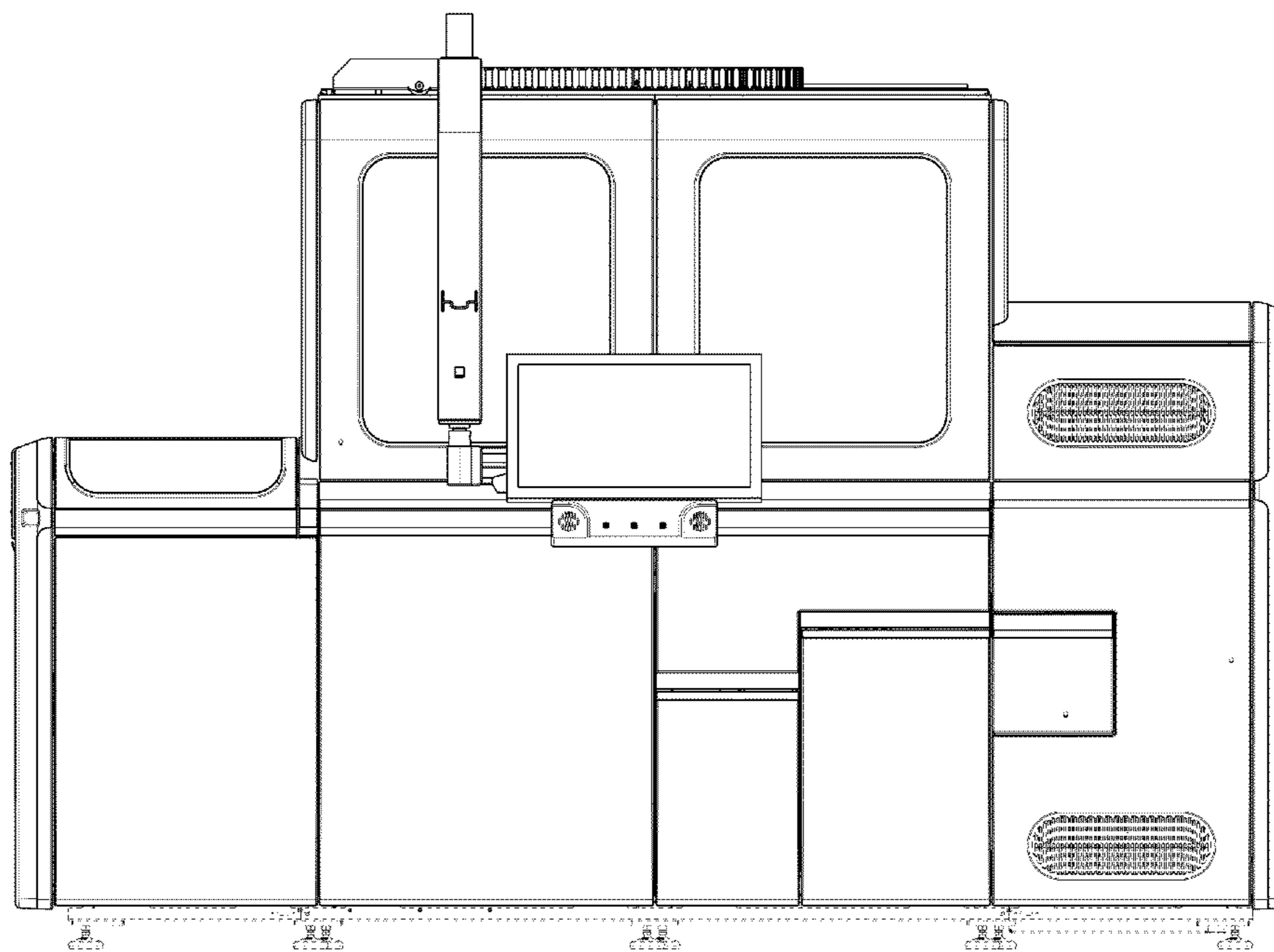
(52) **U.S. Cl.**
USPC **D24/216**

(58) **Field of Classification Search**
USPC D24/216, 223, 231, 232, 233, 186, 107;
D10/81, 97; 435/286.1, 286.4, 286.5,
435/287.3; 422/63-67, 509; 73/863.01,
73/863.02, 863.03, 863.31, 863.32

FIG. 1 shows a front elevational view of an instrument for medical or laboratory diagnosis;
FIG. 2 shows a front left side perspective view thereof;
FIG. 3 shows a left side elevational view thereof;
FIG. 4 shows a rear elevational view thereof;
FIG. 5 shows a rear right side perspective view thereof;
FIG. 6 shows a right side elevational view thereof;
FIG. 7 shows a top plan view thereof; and,
FIG. 8 shows a bottom plan view thereof.
The broken lines illustrate unclaimed portions of the instrument for medical and laboratory diagnosis and form no part of the claimed design.

See application file for complete search history.

1 Claim, 8 Drawing Sheets



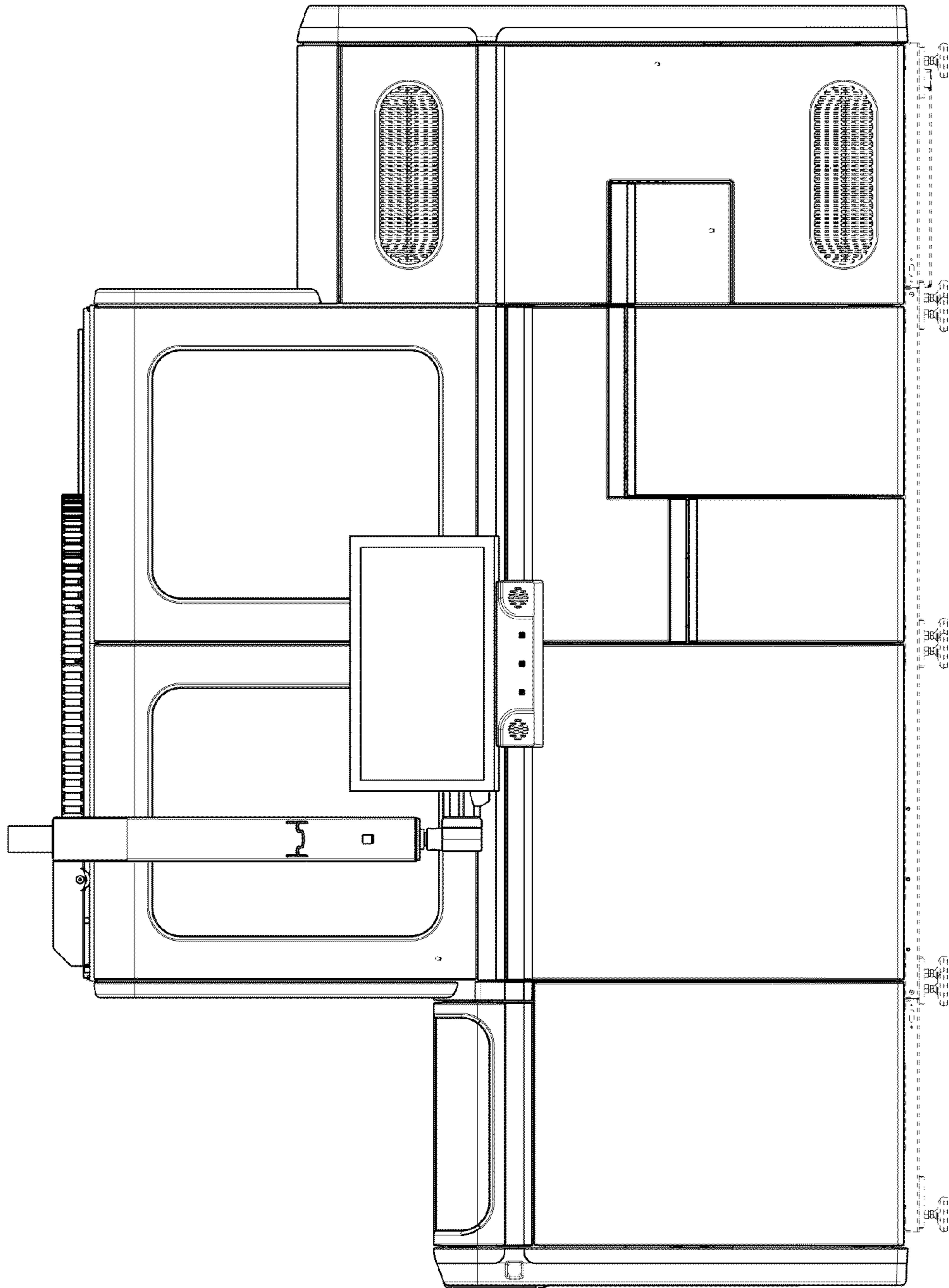


FIG. 1

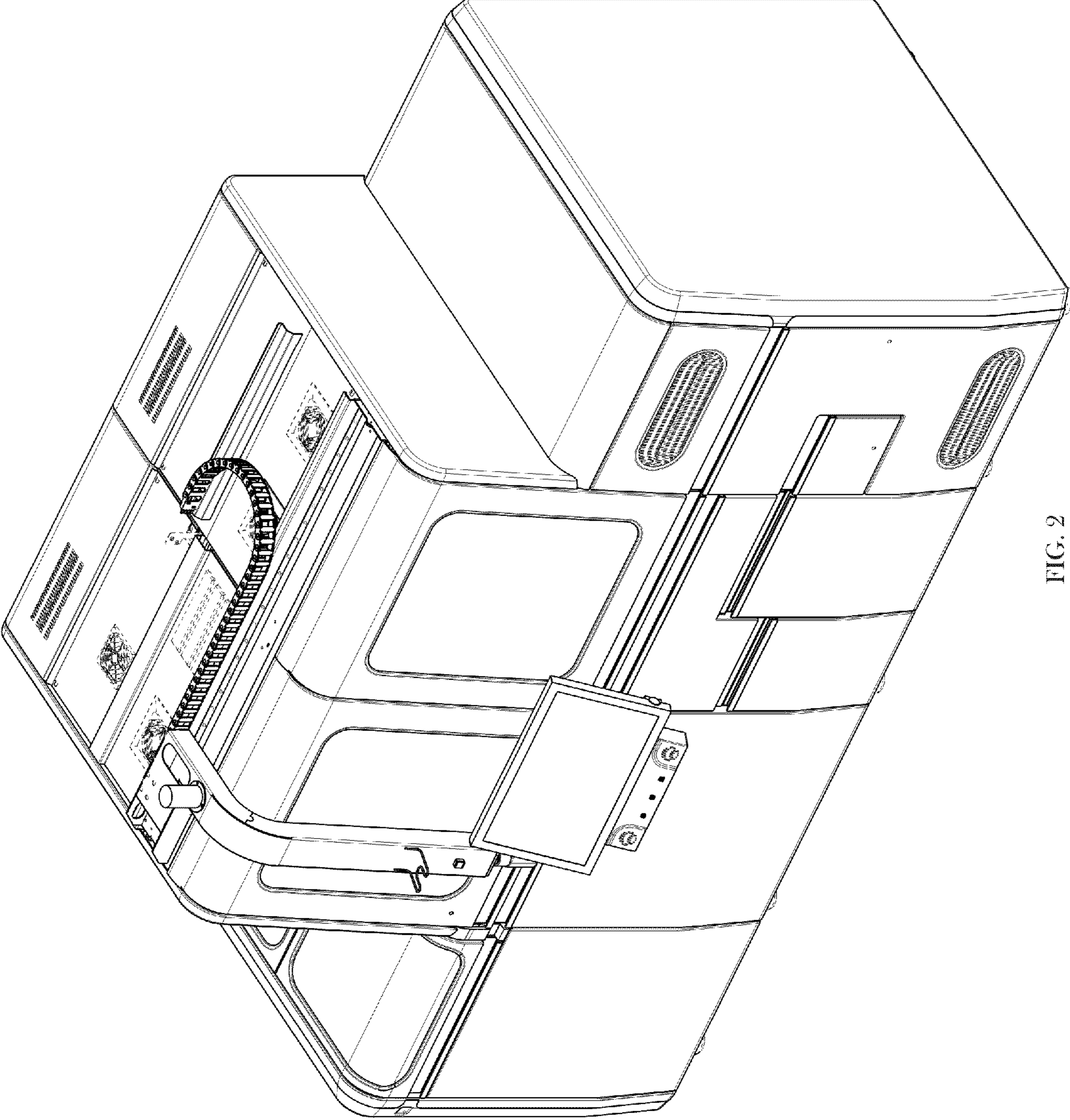


FIG. 2

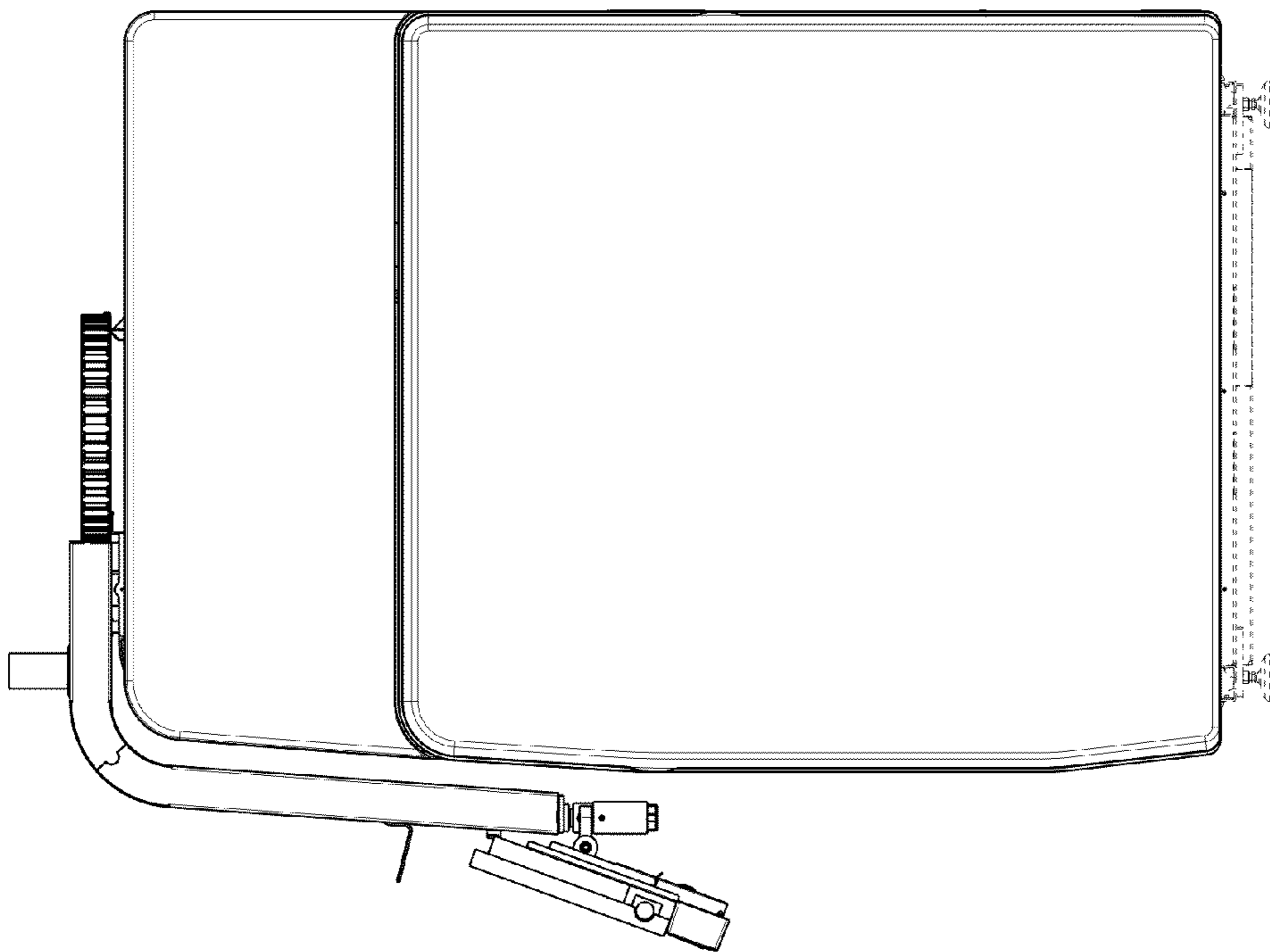


FIG. 3

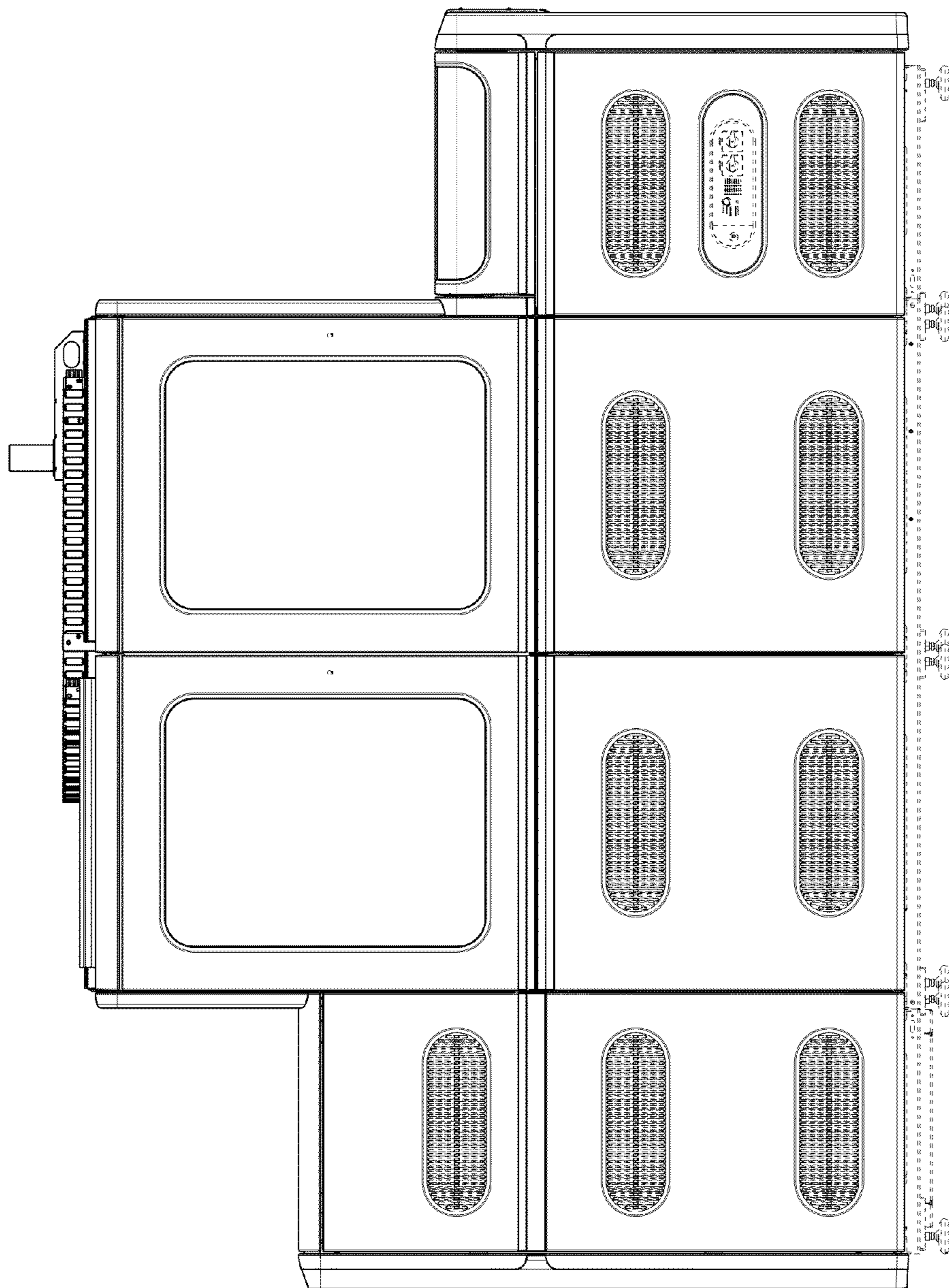


FIG. 4

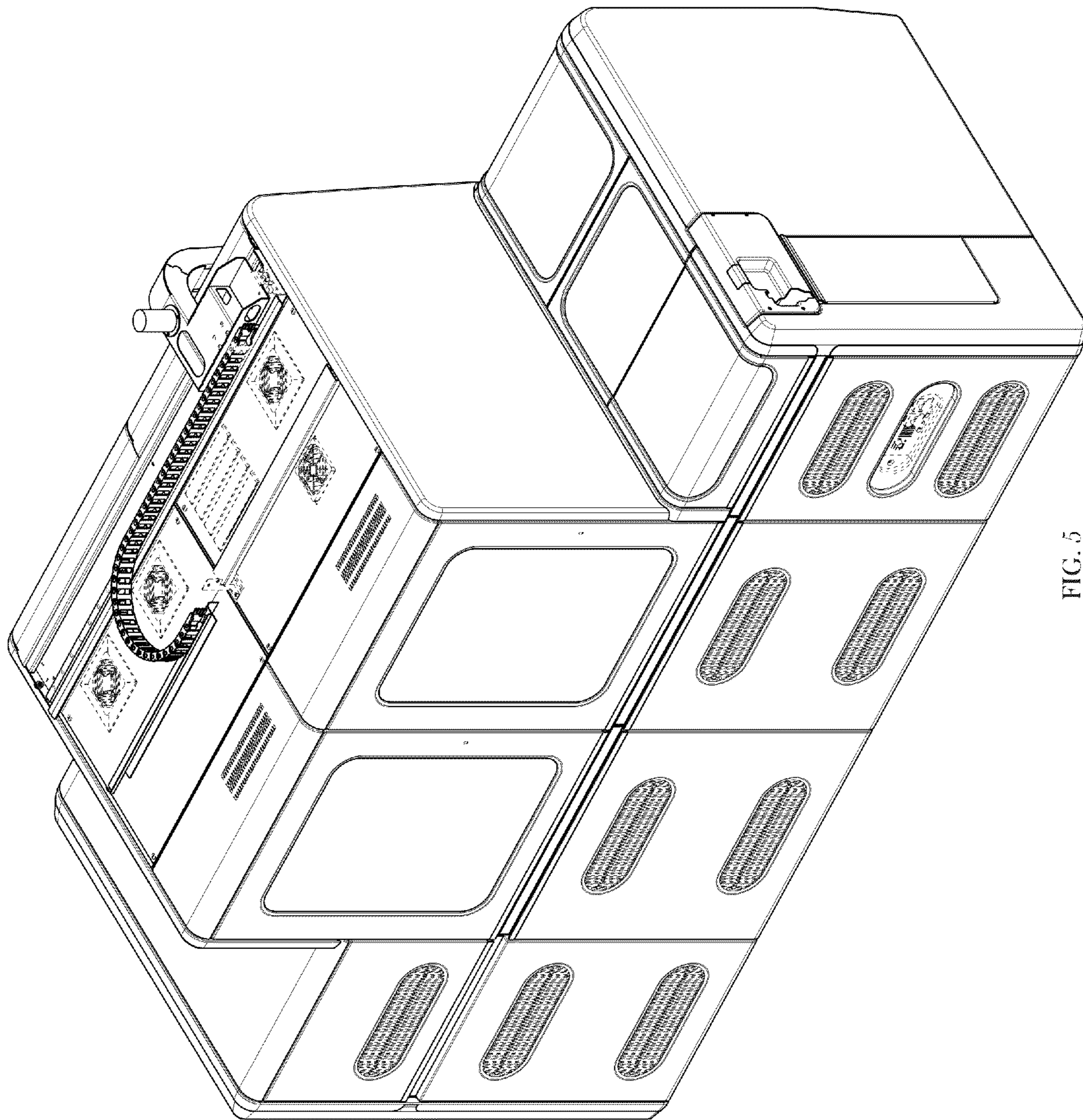


FIG. 5

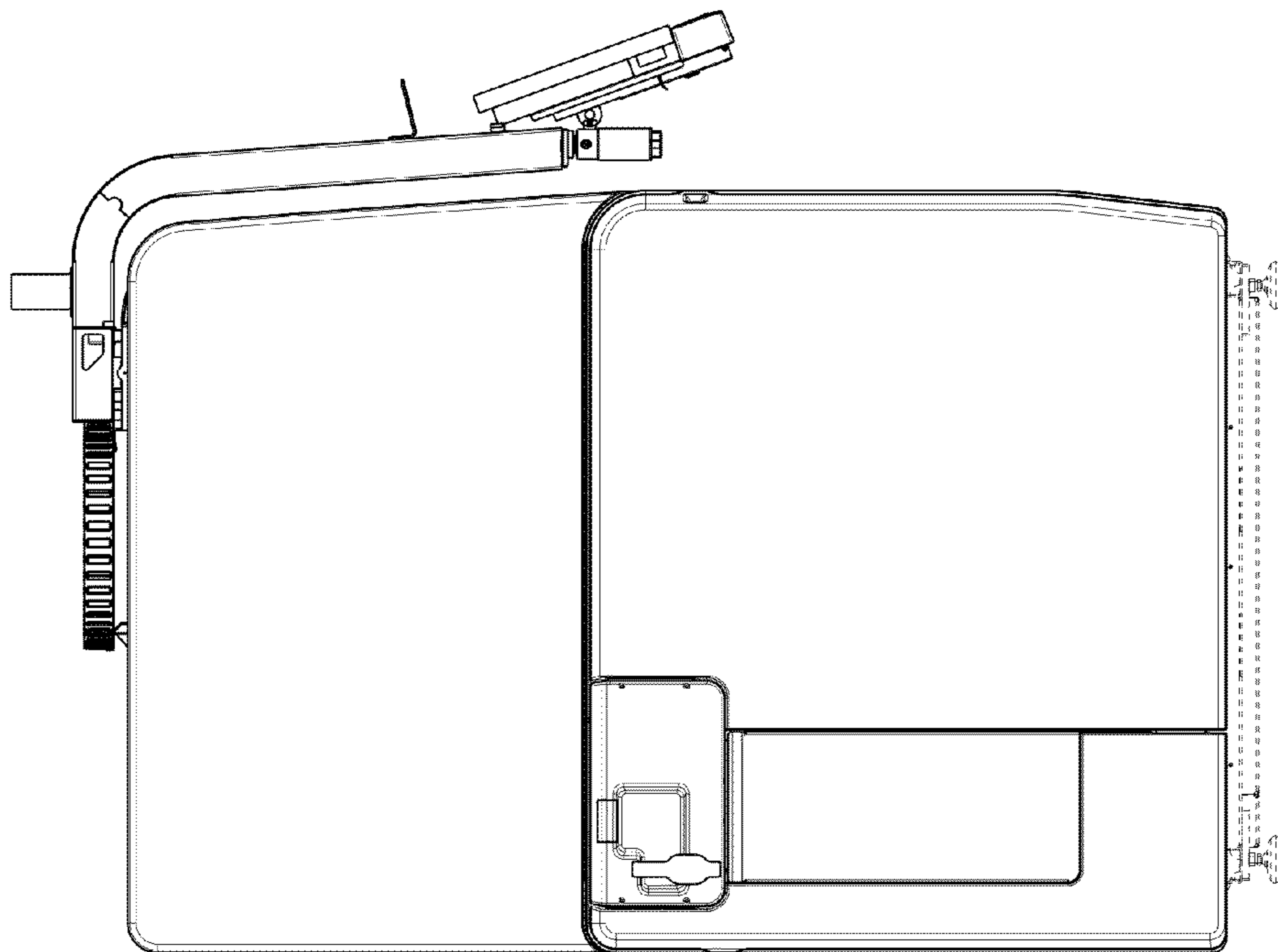


FIG. 6

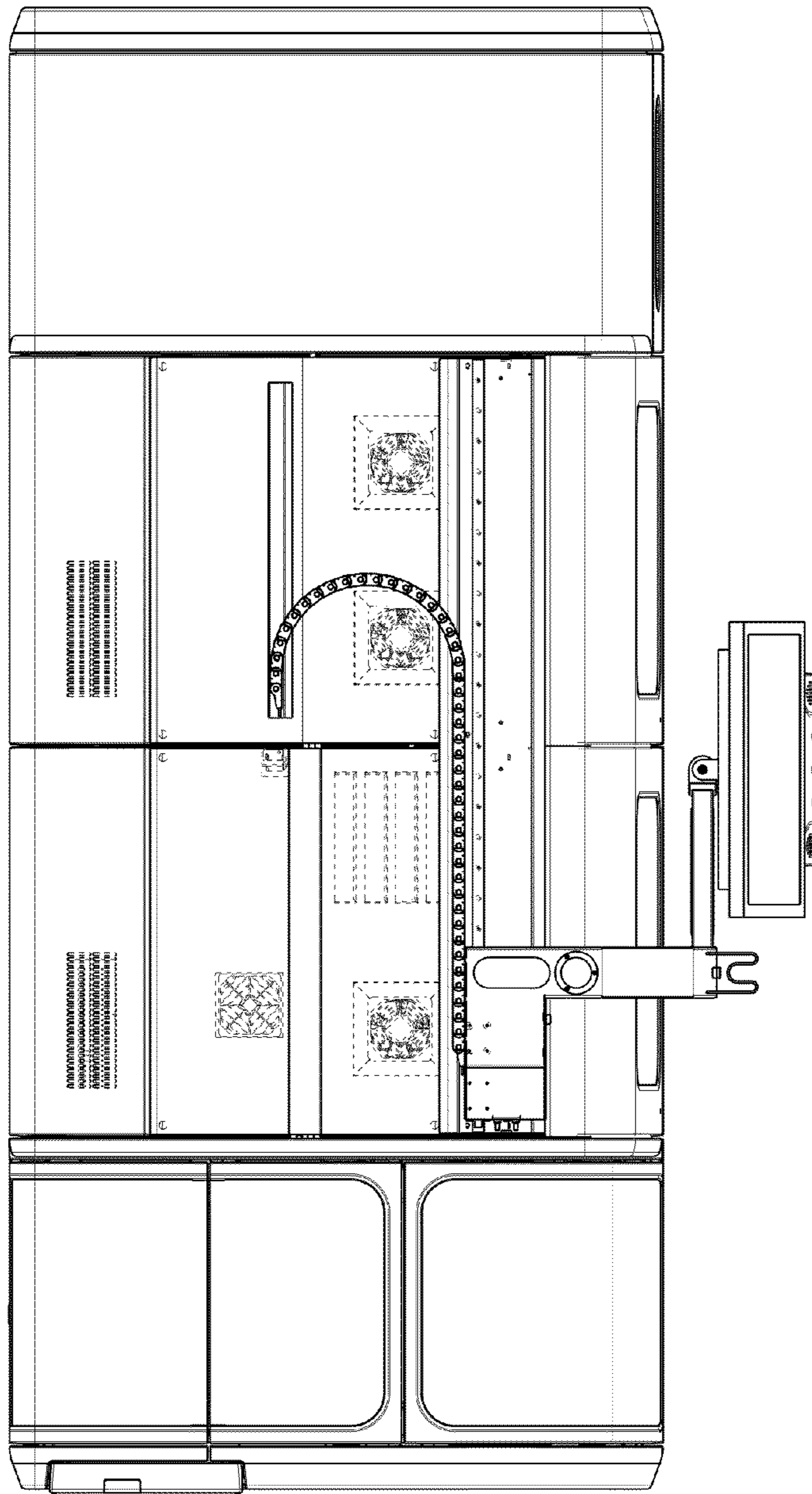


FIG. 7

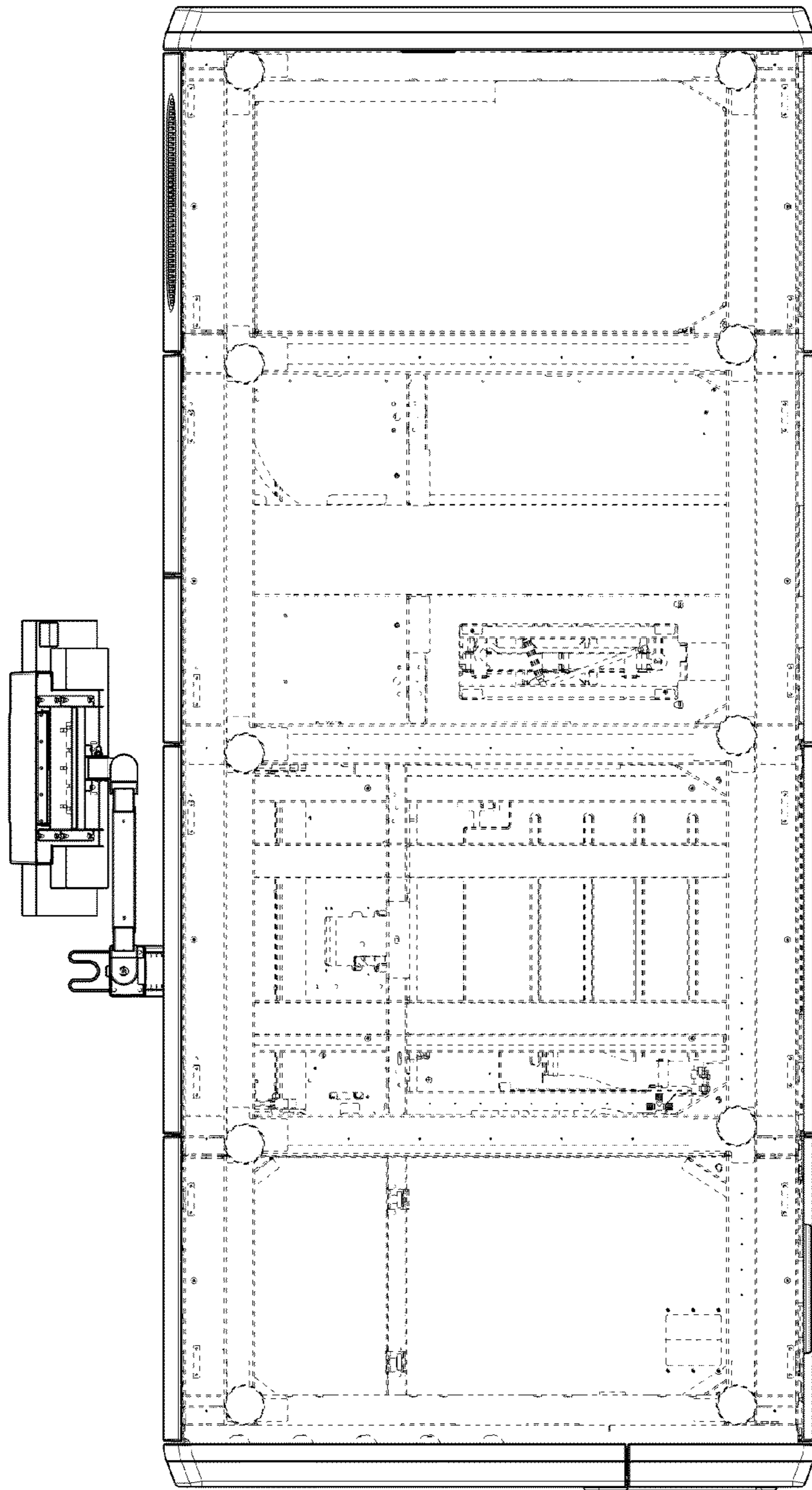


FIG. 8