



US00D719668S

(12) **United States Design Patent**  
**Cien et al.**

(10) **Patent No.:** **US D719,668 S**

(45) **Date of Patent:** **\*\* Dec. 16, 2014**

(54) **CYTOMETER**

(71) Applicant: **CytoFlow, LLC**, Durham, NC (US)

(72) Inventors: **Christopher P. Cien**, Berkeley, CA (US); **Nathaniel C. Bair**, San Luis Obispo, CA (US)

(73) Assignee: **CytoFlow, LLC**, Durham, NC (US)

(\*\*) Term: **14 Years**

(21) Appl. No.: **29/456,784**

(22) Filed: **Jun. 4, 2013**

(51) **LOC (10) Cl.** ..... **24-01**

(52) **U.S. Cl.**  
USPC ..... **D24/216; D24/232**

(58) **Field of Classification Search**  
USPC ..... D24/216, 223, 231, 232, 233, 186, 107;  
D10/81, 97; 435/287.1; 422/62, 67,  
422/68.1, 81, 73, 500, 501; 356/73, 39,  
356/336; 436/50, 52, 53, 63  
See application file for complete search history.

(56) **References Cited**

**U.S. PATENT DOCUMENTS**

D503,808 S \* 4/2005 Stokes et al. .... D24/216  
7,580,120 B2 \* 8/2009 Hamada et al. .... 356/73

D651,106 S \* 12/2011 Bradford et al. .... D10/97  
D687,561 S \* 8/2013 Iseki ..... D24/216  
2010/0118298 A1 \* 5/2010 Bair et al. .... 356/246  
2011/0135540 A1 \* 6/2011 Rieder et al. .... 422/72

\* cited by examiner

*Primary Examiner* — Anhdao Doan

(74) *Attorney, Agent, or Firm* — Gardner, Linn, Burkhardt & Flory LLP

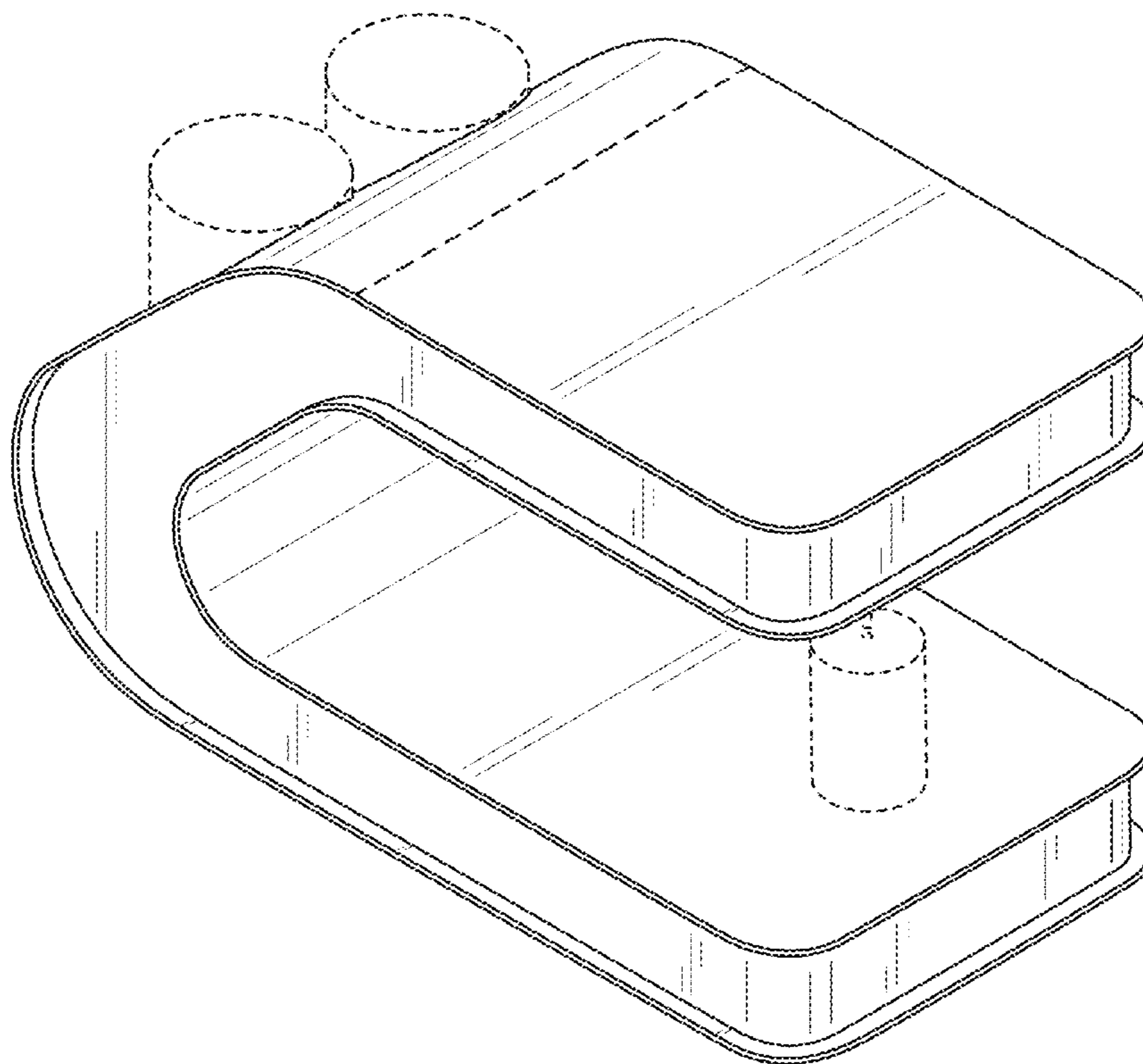
(57) **CLAIM**

The ornamental design for a cytometer, as shown and described.

**DESCRIPTION**

FIG. 1 is a perspective view of the cytometer showing our new design;  
FIG. 2 is a front elevation of the cytometer of FIG. 1;  
FIG. 3 is a rear elevation of the cytometer of FIG. 1;  
FIG. 4 is a right-side elevation of the cytometer of FIG. 1;  
FIG. 5 is a left-side elevation of the cytometer of FIG. 1;  
FIG. 6 is a top plan view of the cytometer of FIG. 1; and,  
FIG. 7 is a bottom plan view of the cytometer of FIG. 1.  
The broken lines are included for the purpose of illustrating portions of the cytometer that form no part of the claimed design.

**1 Claim, 7 Drawing Sheets**



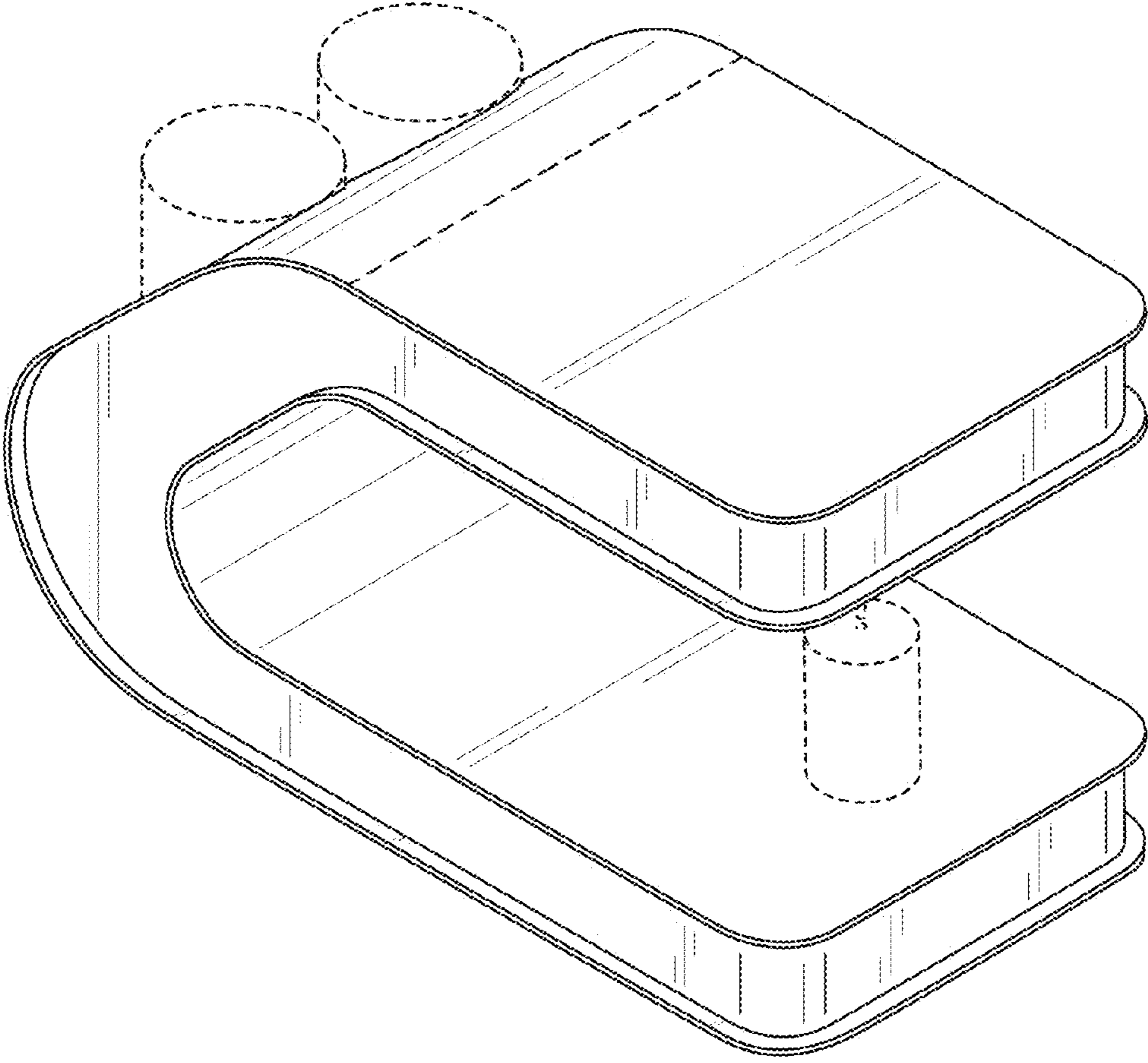


FIG. 1

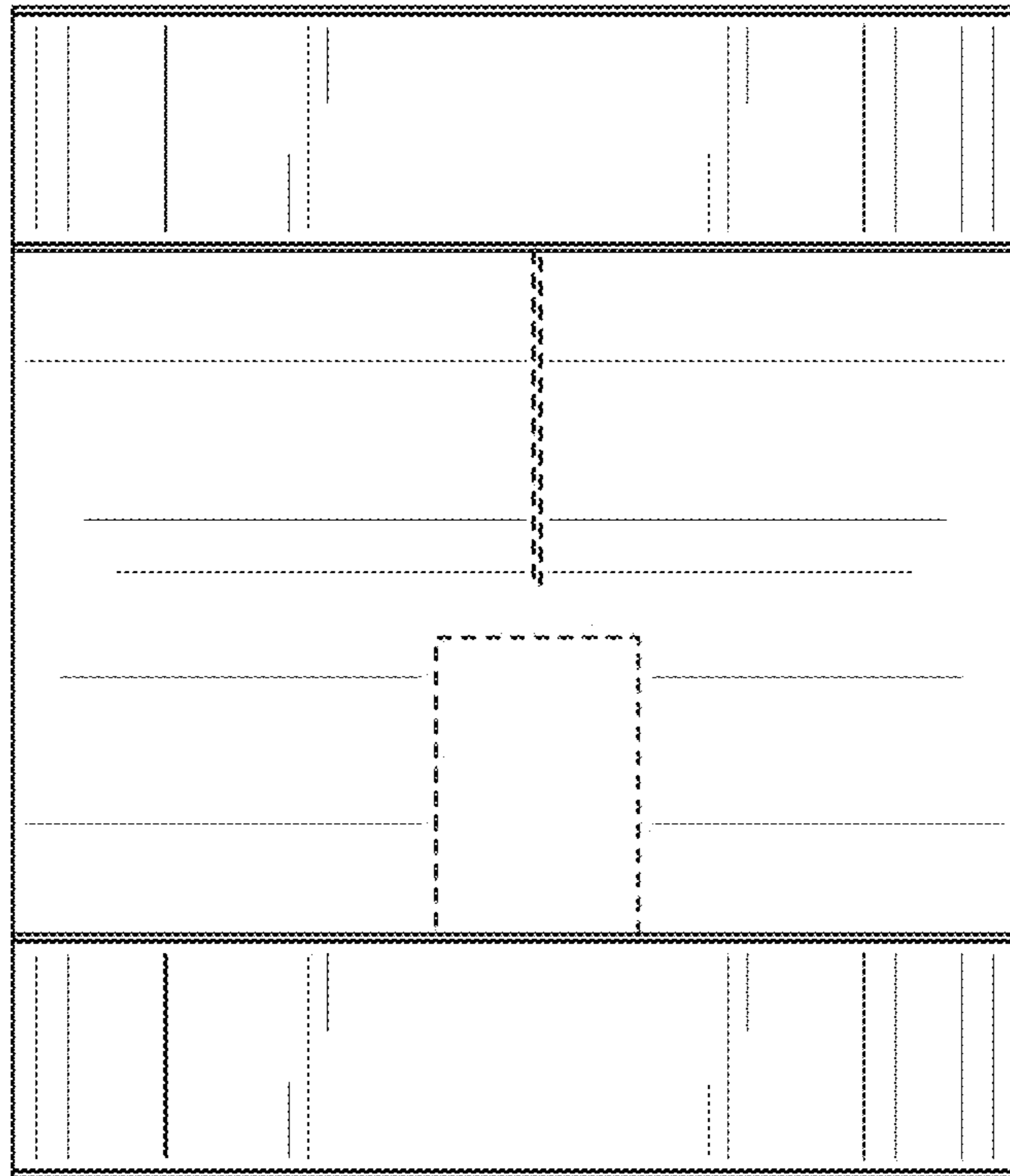


FIG. 2

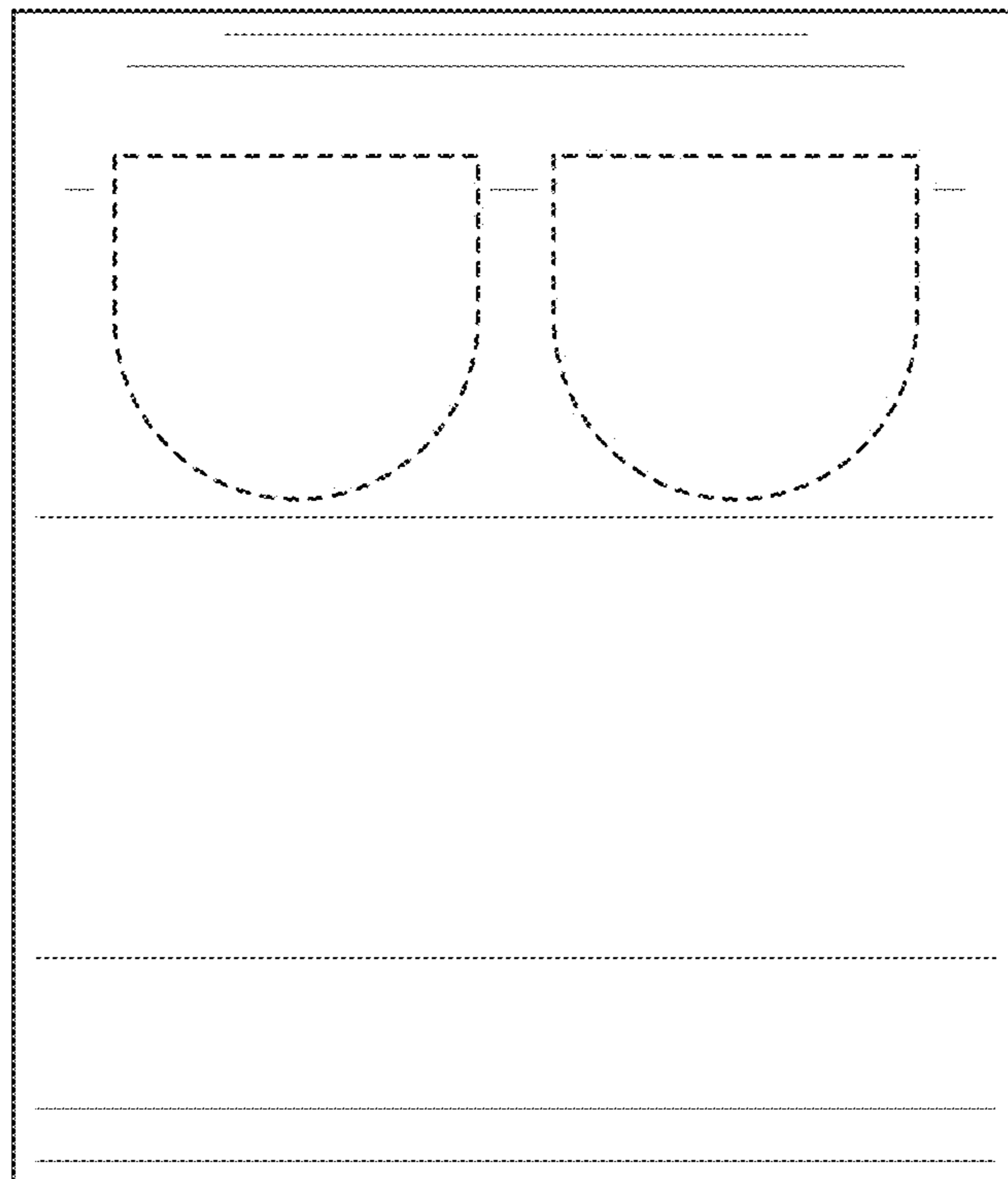


FIG. 3

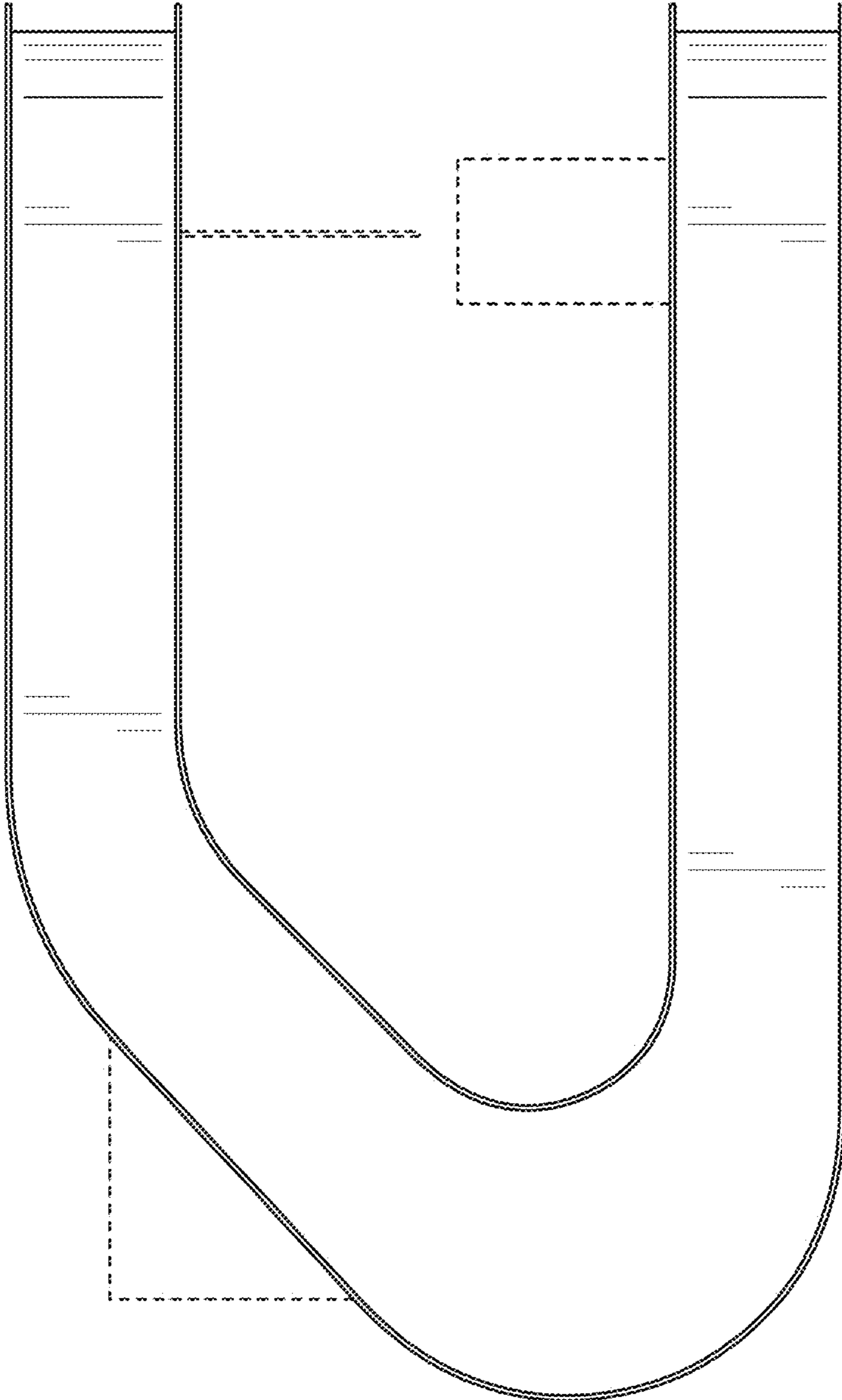


FIG. 4

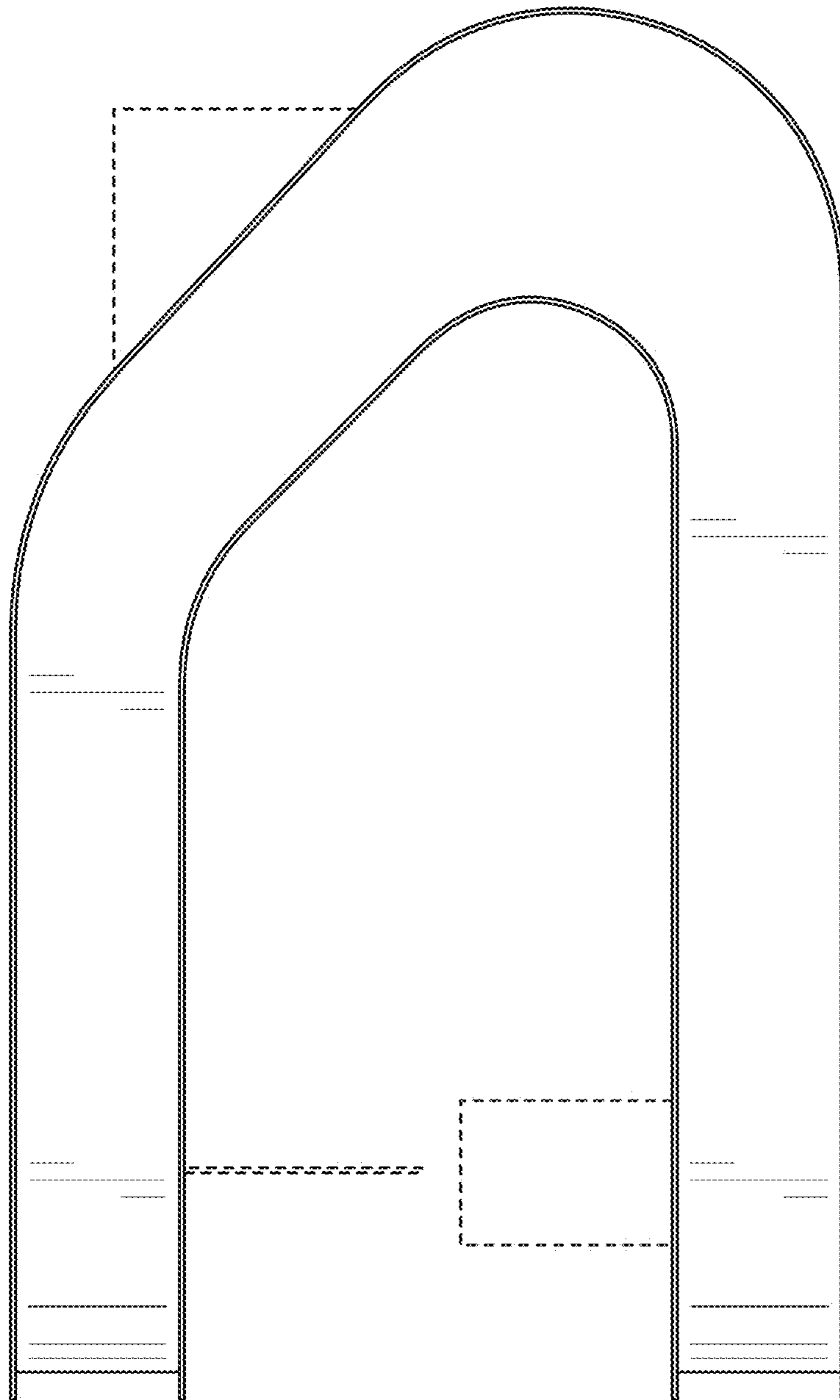


FIG. 5

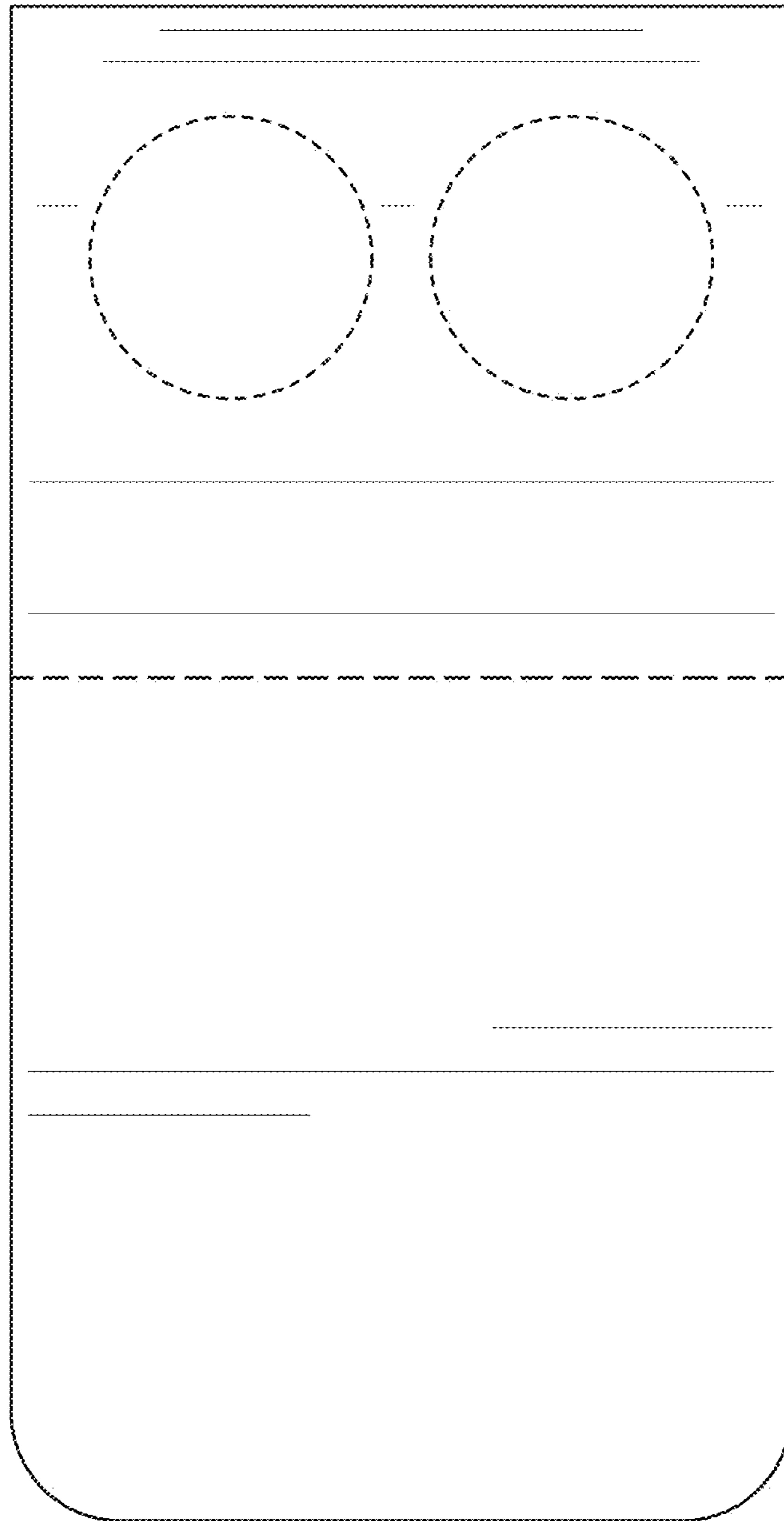


FIG. 6



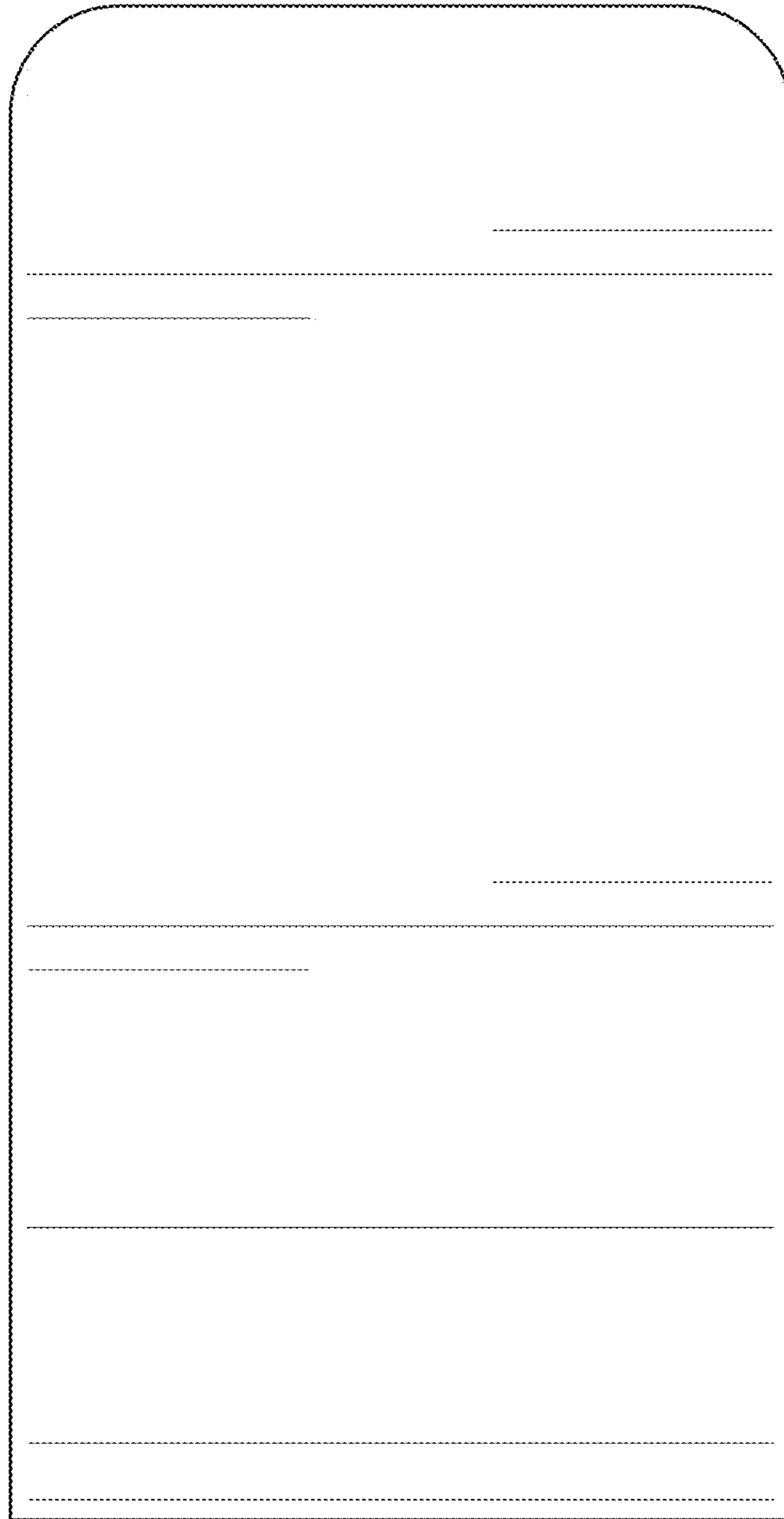


FIG. 7