



US00D719667S

(12) **United States Design Patent**
Manian

(10) **Patent No.:** **US D719,667 S**
(45) **Date of Patent:** **** Dec. 16, 2014**

(54) **CELL DETECTION SYSTEM**

(71) Applicant: **Bala S. Manian**, Los Altos Hills, CA
(US)

(72) Inventor: **Bala S. Manian**, Los Altos Hills, CA
(US)

(73) Assignee: **Reamatrix, Inc.**, San Carlos, CA (US)

(**) Term: **14 Years**

(21) Appl. No.: **29/449,051**

(22) Filed: **Mar. 14, 2013**

(51) **LOC (10) Cl.** **24-01**

(52) **U.S. Cl.**
USPC **D24/216**

(58) **Field of Classification Search**
USPC D24/216, 223, 231, 232, 233, 186, 107;
D10/81; 435/286.1, 286.4, 286.5,
435/287.3, 30, 34; 422/63-67, 509;
73/863.01, 863.02, 863.03, 863.31,
73/863.32

See application file for complete search history.

(56) **References Cited**

U.S. PATENT DOCUMENTS

D430,304 S * 8/2000 Oonuma et al. D24/232
D499,035 S * 11/2004 Cook et al. D10/81

D542,931 S * 5/2007 Pukall et al. D24/232
D649,075 S * 11/2011 Chan et al. D10/81
8,168,443 B2 * 5/2012 Yu et al. 422/63
D687,561 S * 8/2013 Iseki D24/216
D693,939 S * 11/2013 Iseki D24/216
D703,343 S * 4/2014 Biswas et al. D24/217
2007/0110617 A1 * 5/2007 Nagai et al. 422/65
2013/0323745 A1 * 12/2013 Wainwright et al. 435/6.15

* cited by examiner

Primary Examiner — Anhdao Doan

(74) *Attorney, Agent, or Firm* — Goodwin Procter LLP

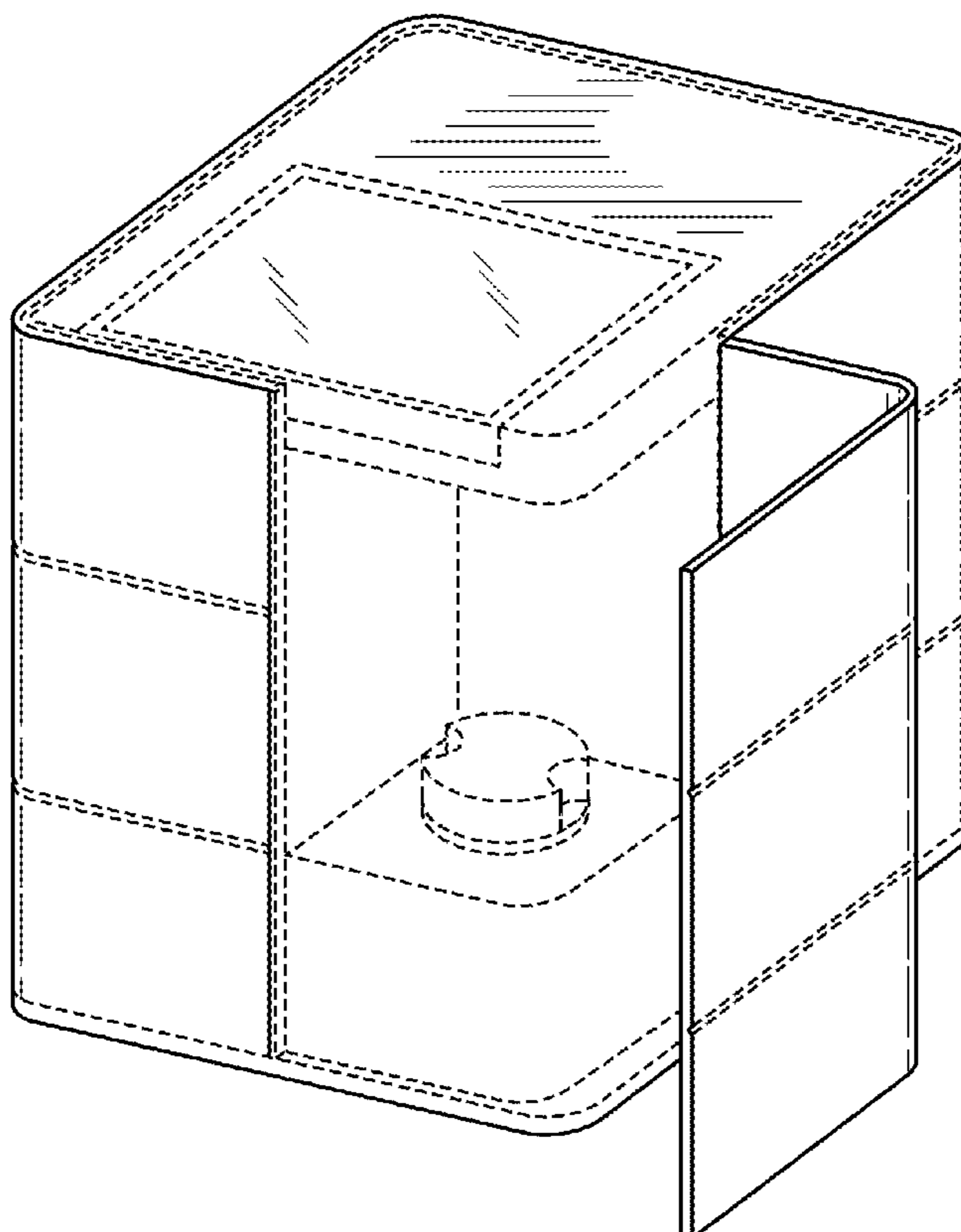
(57) **CLAIM**

The ornamental design for a cell detection system, as shown and described.

DESCRIPTION

FIG. 1 is a front perspective view of a cell detection system; FIG. 2 is a front view of the cell detection system; FIG. 3 is a top view of the cell detection system; FIG. 4 is a rear view of the cell detection system; FIG. 5 is a bottom view of the cell detection system; FIG. 6 is a left side view of the cell detection system; and, FIG. 7 is a right side view of the cell detection system. The broken lines shown in the drawings of a cell detection system are for illustrative purposes only and form no part of the claimed design.

1 Claim, 4 Drawing Sheets



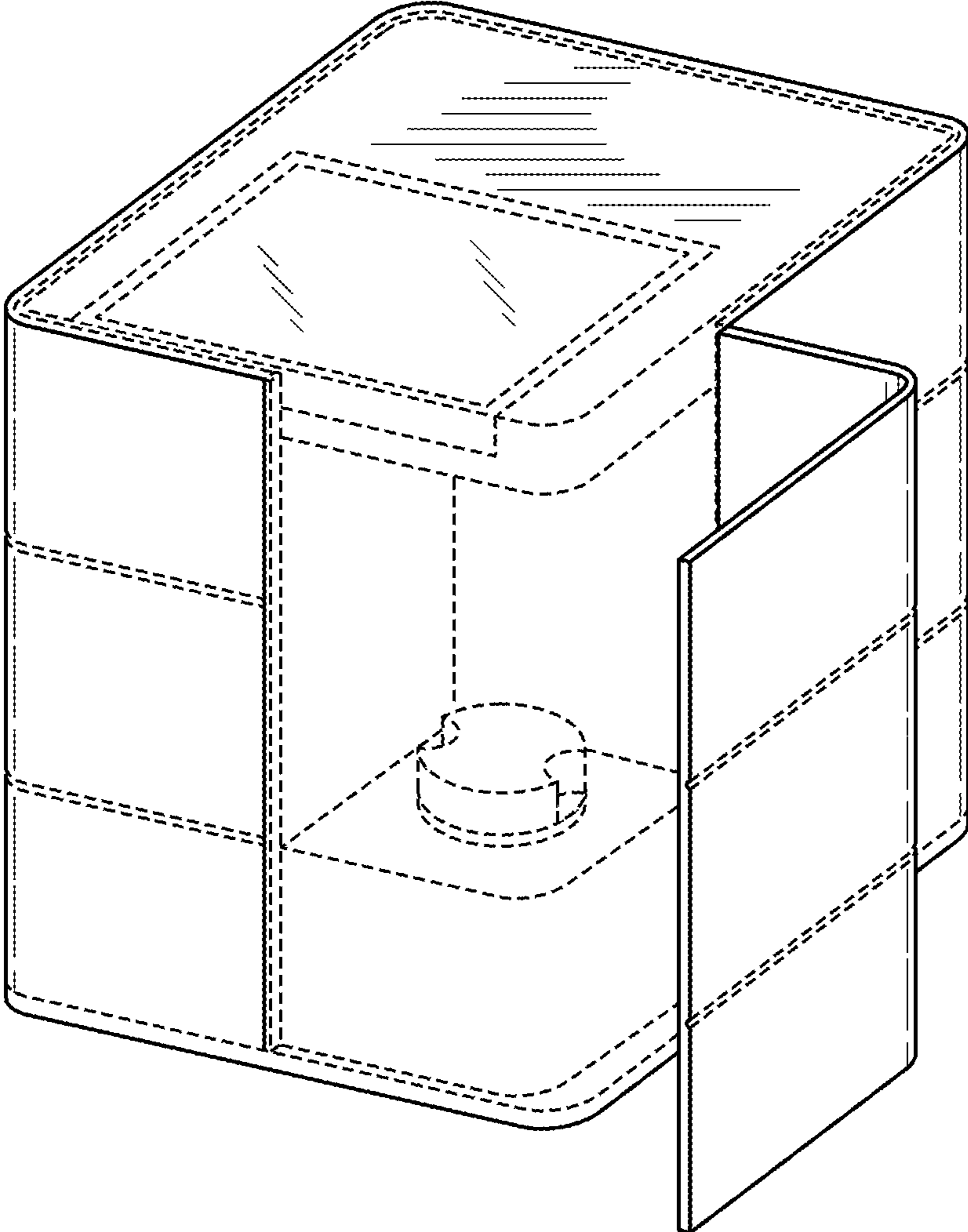


FIG. 1

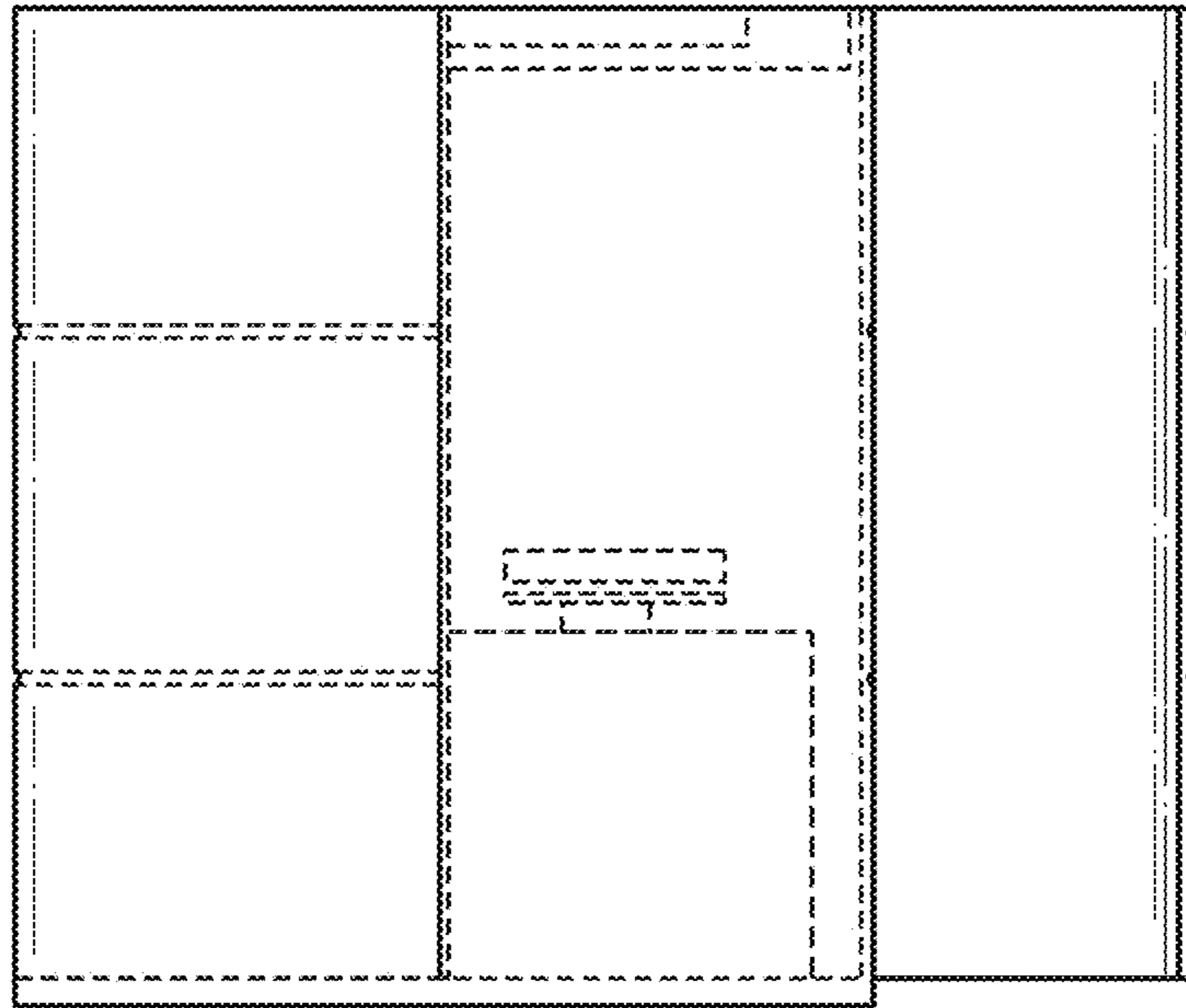


FIG. 2

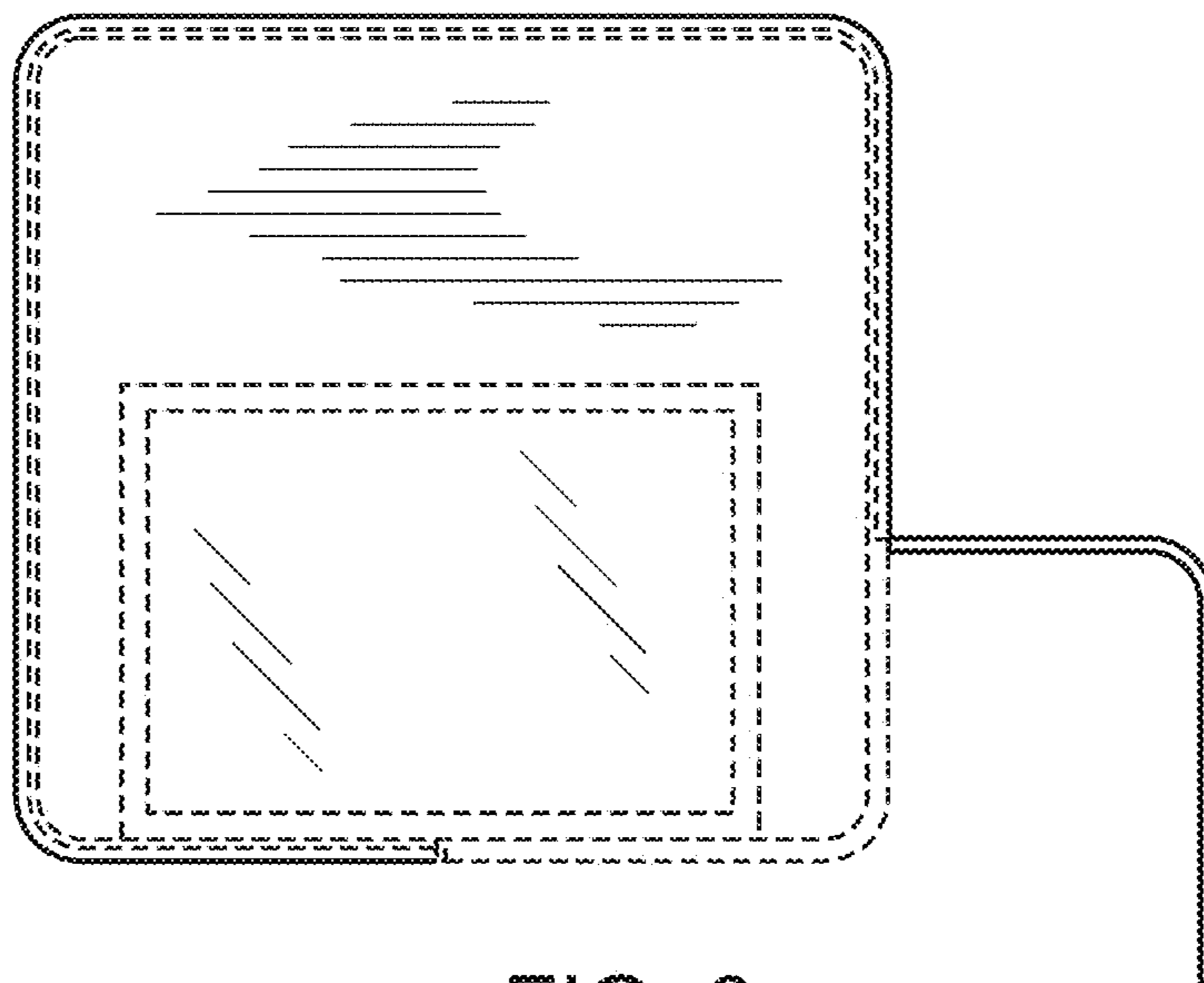


FIG. 3

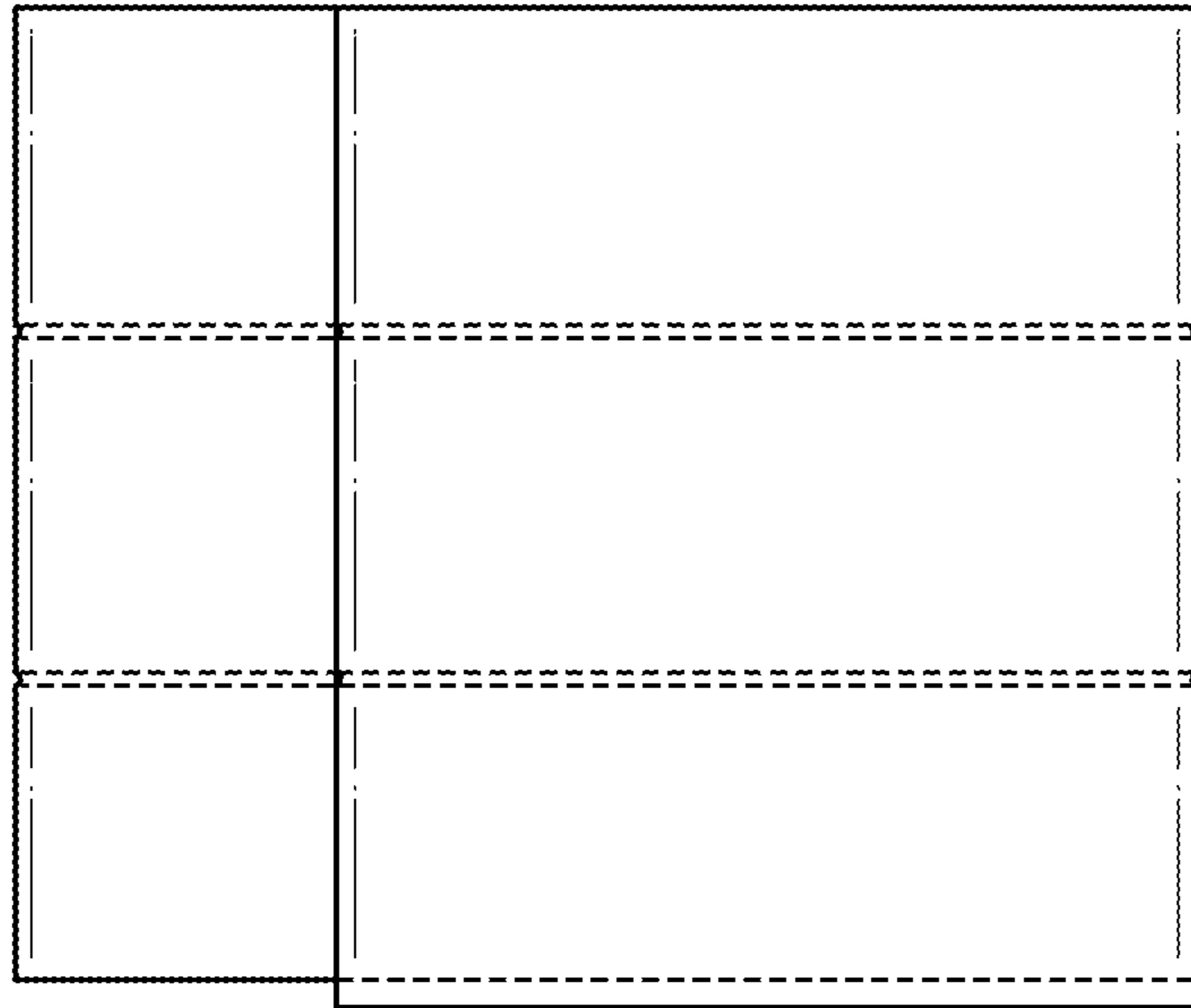


FIG. 4

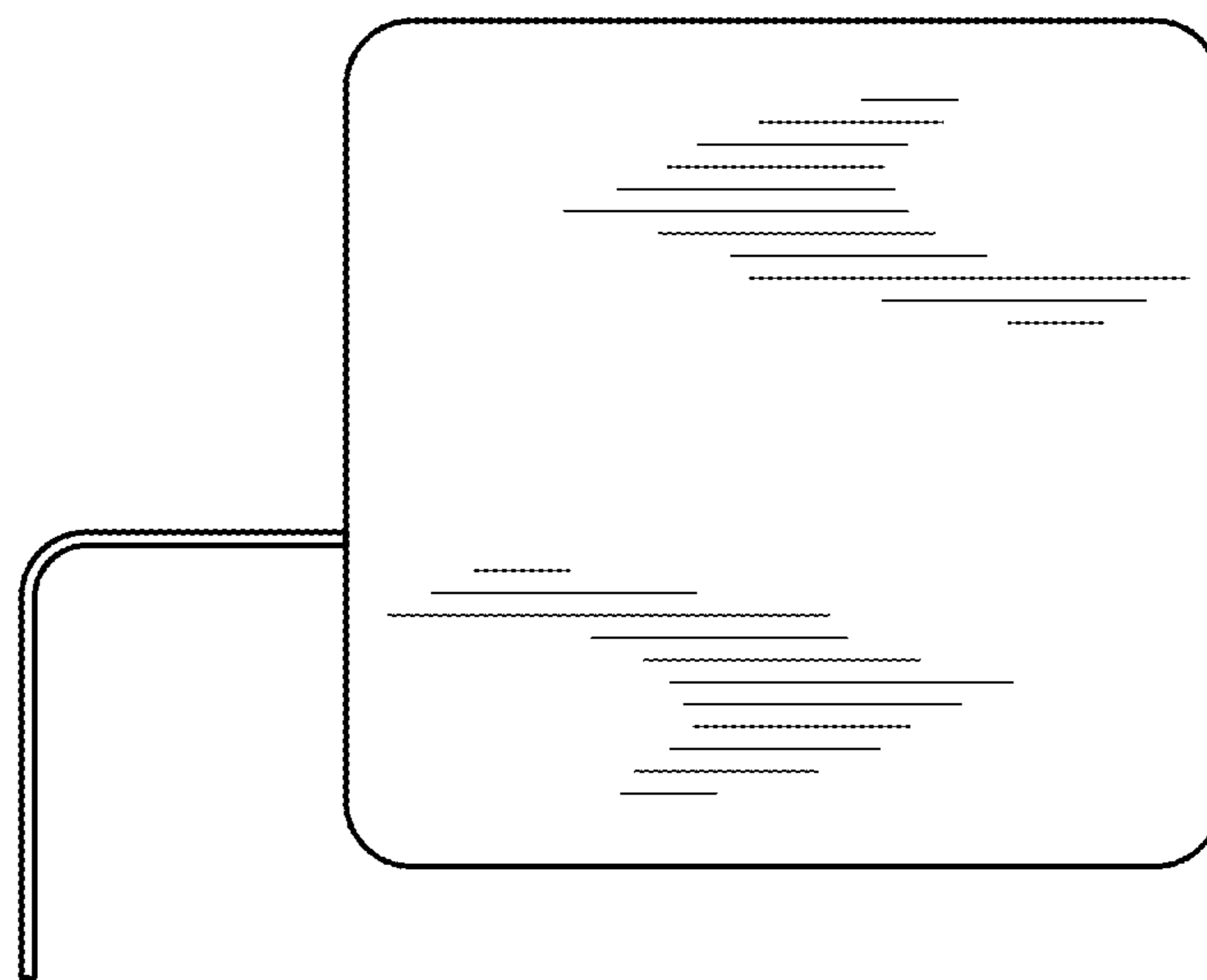


FIG. 5

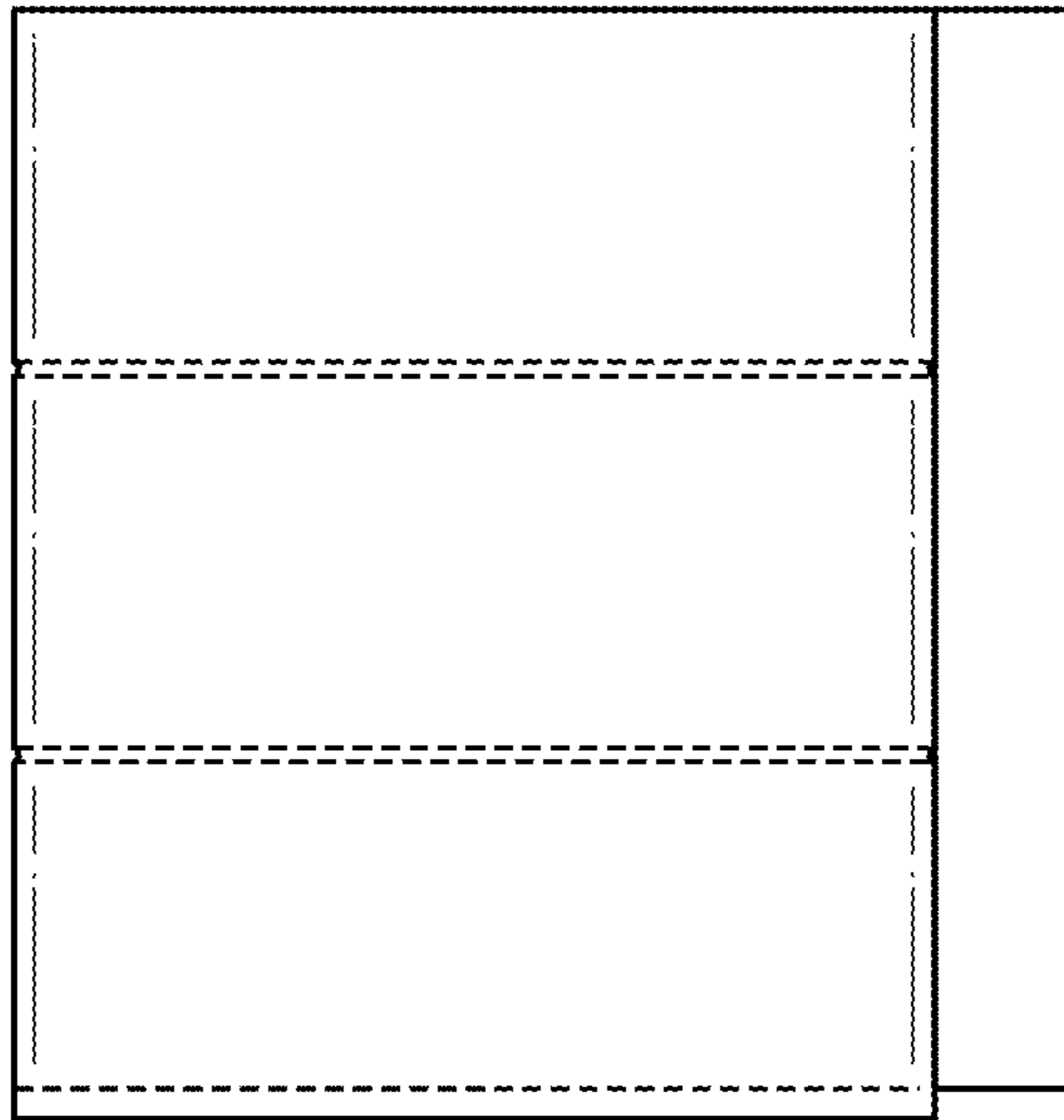


FIG. 6

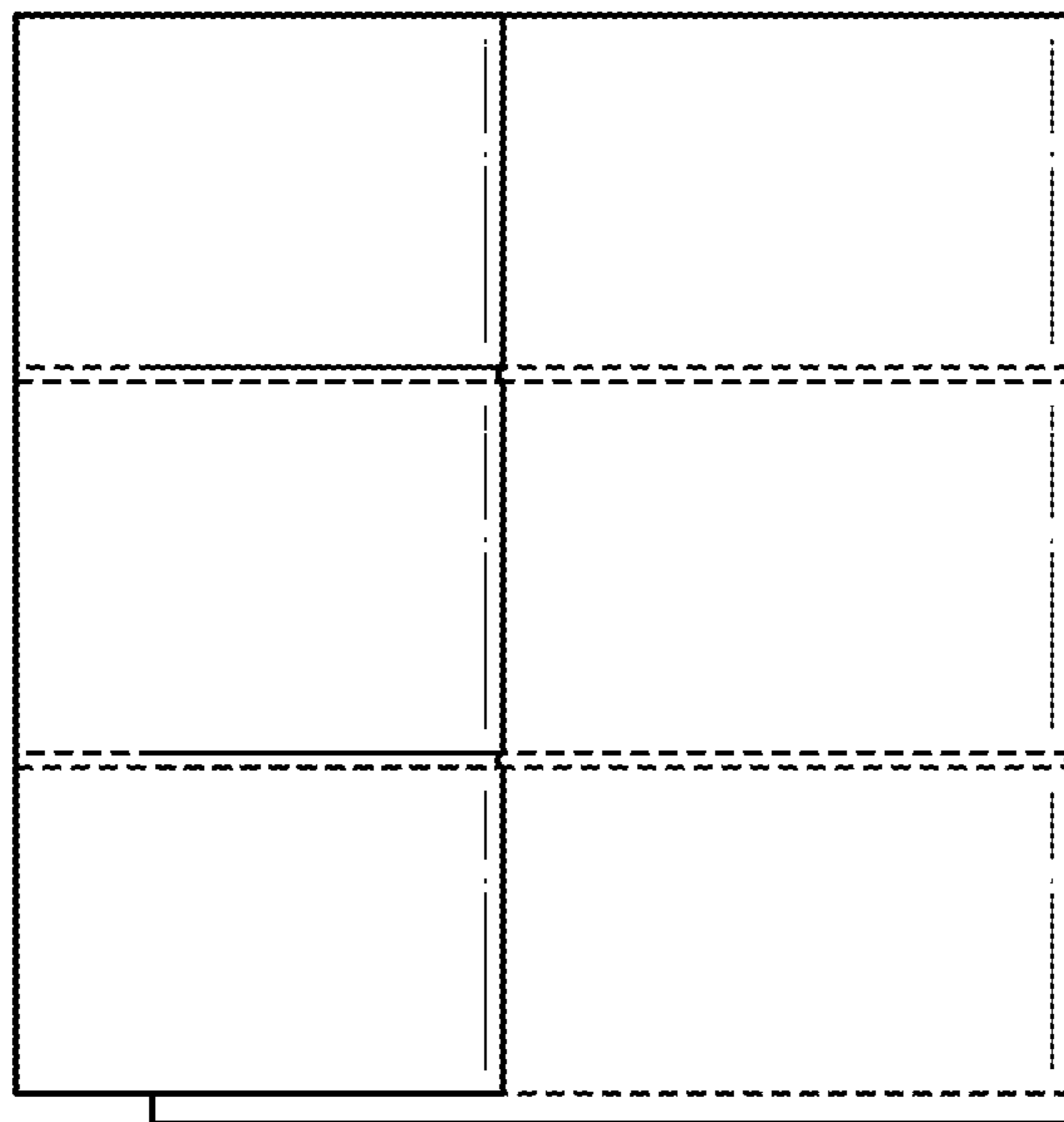


FIG. 7