



US00D719663S

(12) **United States Design Patent**  
**Larsen et al.**

(10) **Patent No.:** **US D719,663 S**  
(45) **Date of Patent:** **\*\* Dec. 16, 2014**

(54) **SPA SHELL**

(71) Applicants: **Christopher Carl Larsen**, Vista, CA (US); **Sage Nathan Baker**, Cardiff by the Sea, CA (US)

(72) Inventors: **Christopher Carl Larsen**, Vista, CA (US); **Sage Nathan Baker**, Cardiff by the Sea, CA (US)

(73) Assignee: **Watkins Manufacturing Corporation**, Vista, CA (US)

(\*\*) Term: **14 Years**

(21) Appl. No.: **29/480,607**

(22) Filed: **Jan. 28, 2014**

(51) **LOC (10) Cl.** ..... **23-02**

(52) **U.S. Cl.**  
USPC ..... **D24/204**

(58) **Field of Classification Search**  
USPC ..... D24/201, 204, 205; D23/277, 278, 276, D23/280.1–280.3; 601/154–158; 4/541.1–541.6, 547, 578.1, 579  
See application file for complete search history.

(56) **References Cited**

**U.S. PATENT DOCUMENTS**

D634,019 S \* 3/2011 Larsen et al. .... D24/204  
D634,020 S \* 3/2011 Larsen et al. .... D24/204

D634,021 S \* 3/2011 Larsen et al. .... D24/204  
D641,486 S \* 7/2011 Larsen et al. .... D24/204  
D649,256 S \* 11/2011 Larsen et al. .... D24/204  
D657,881 S \* 4/2012 Larsen et al. .... D24/204  
D657,882 S \* 4/2012 Larsen et al. .... D24/204  
D657,883 S \* 4/2012 Larsen et al. .... D24/204  
D680,656 S \* 4/2013 Larsen et al. .... D24/204  
D683,039 S \* 5/2013 Larsen et al. .... D24/204  
D685,104 S \* 6/2013 Larsen et al. .... D24/204  
D687,557 S \* 8/2013 Larsen et al. .... D24/204  
D702,845 S \* 4/2014 Larsen et al. .... D24/204

\* cited by examiner

*Primary Examiner* — David Muller

(74) *Attorney, Agent, or Firm* — Kirk W. Rudolph

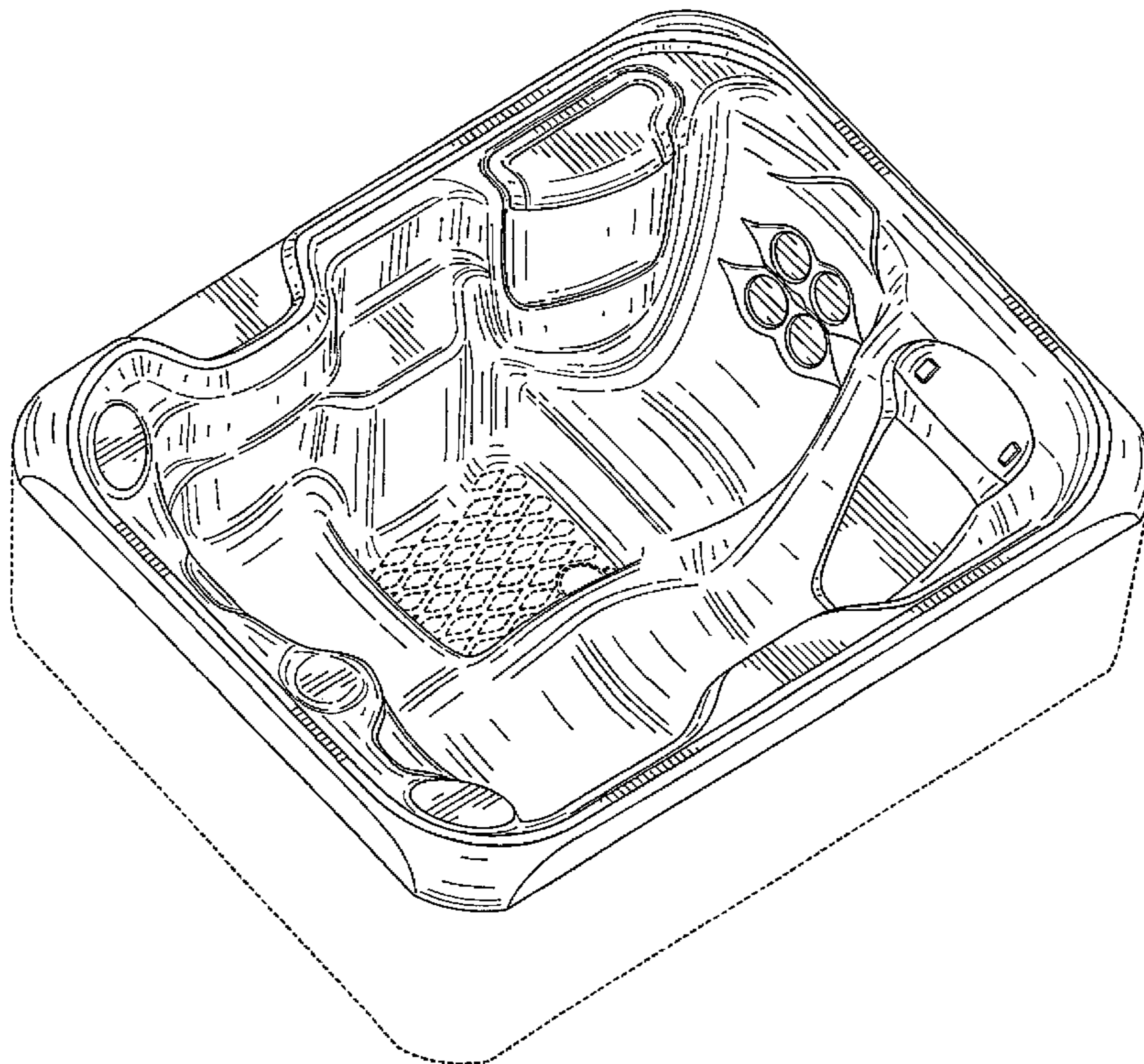
(57) **CLAIM**

The ornamental design for a spa shell, as shown and described.

**DESCRIPTION**

FIG. 1 is a perspective view of a spa shell showing our design; FIG. 2 is a perspective view thereof; FIG. 3 is a top plan view thereof; FIG. 4 is a cross-sectional view taken along line 4-4 of FIG. 3; FIG. 5 is a cross-sectional view taken along line 5-5 of FIG. 3; FIG. 6 is a cross-sectional view taken along line 6-6 of FIG. 3; and, FIG. 7 is a cross-sectional view taken along line 7-7 of FIG. 3. The broken lines in the drawings represent unclaimed portions of the spa shell and form no part thereof.

**1 Claim, 6 Drawing Sheets**



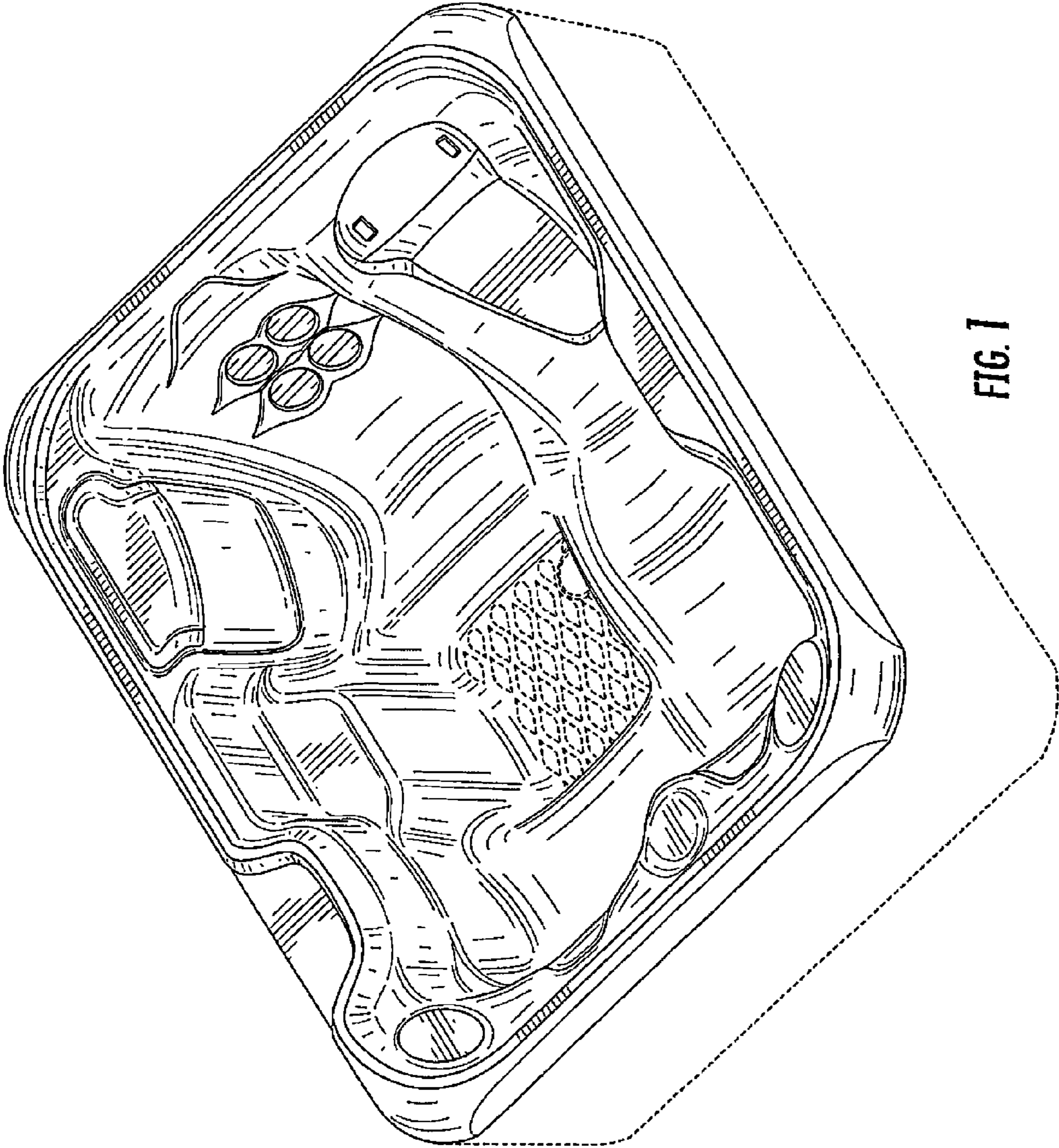


FIG. 1



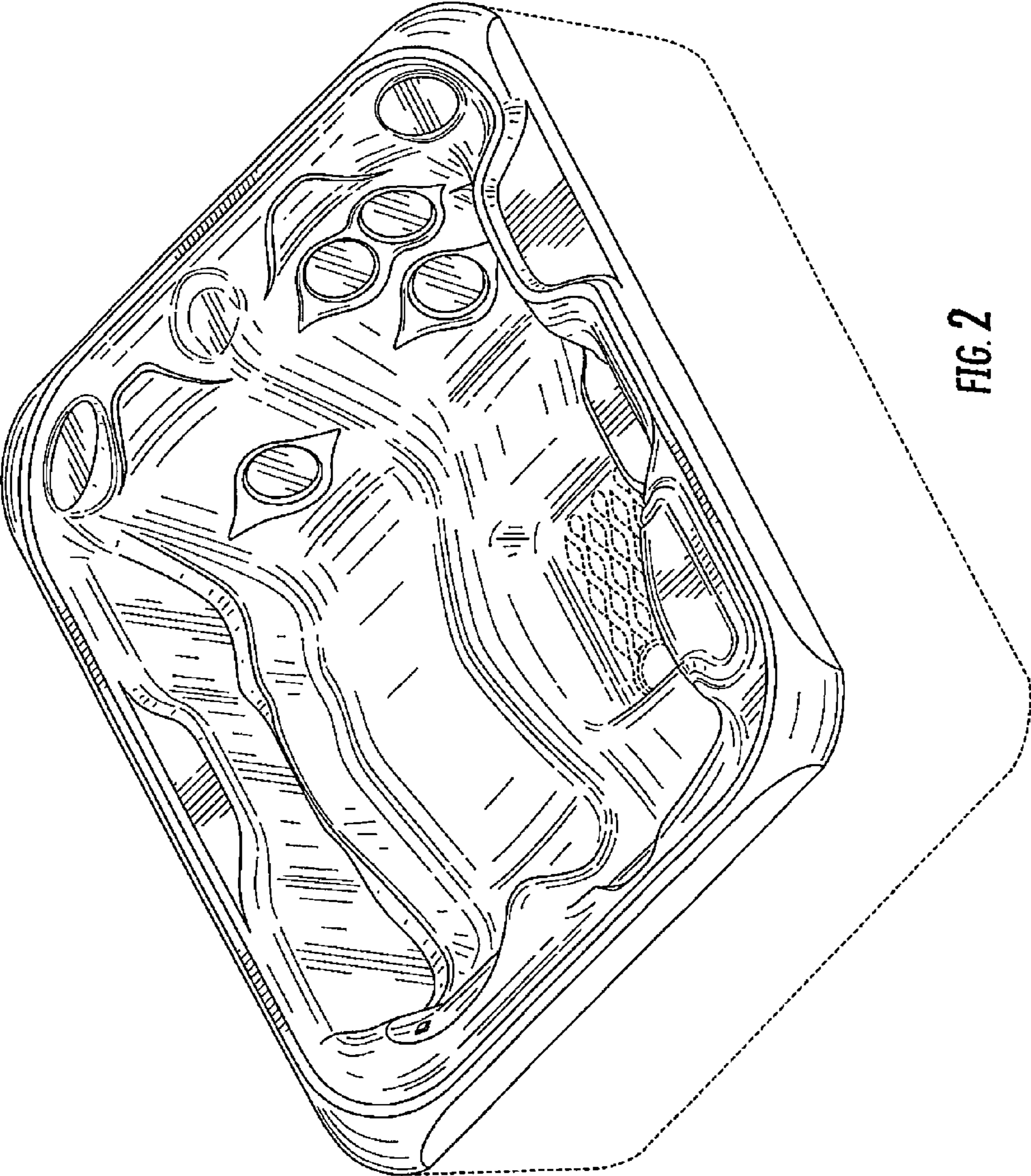


FIG. 2

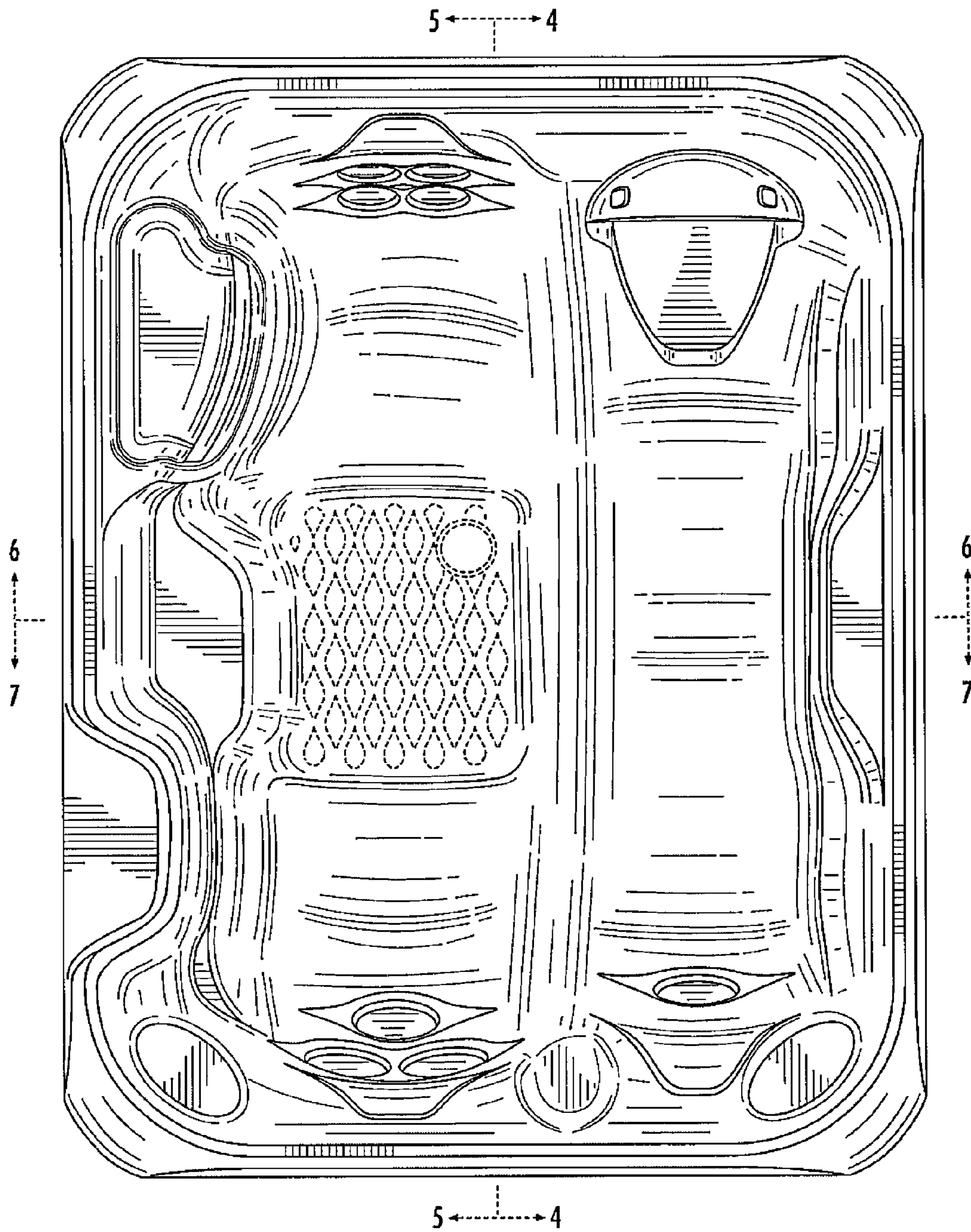


FIG. 3

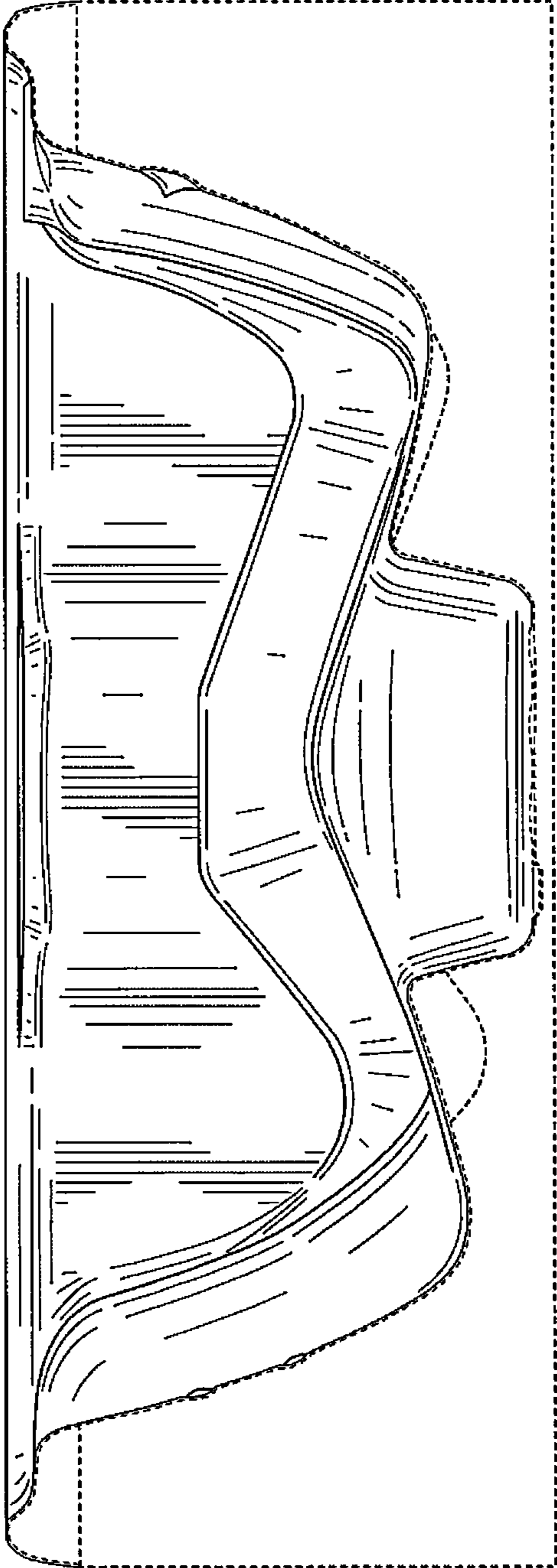


FIG. 4

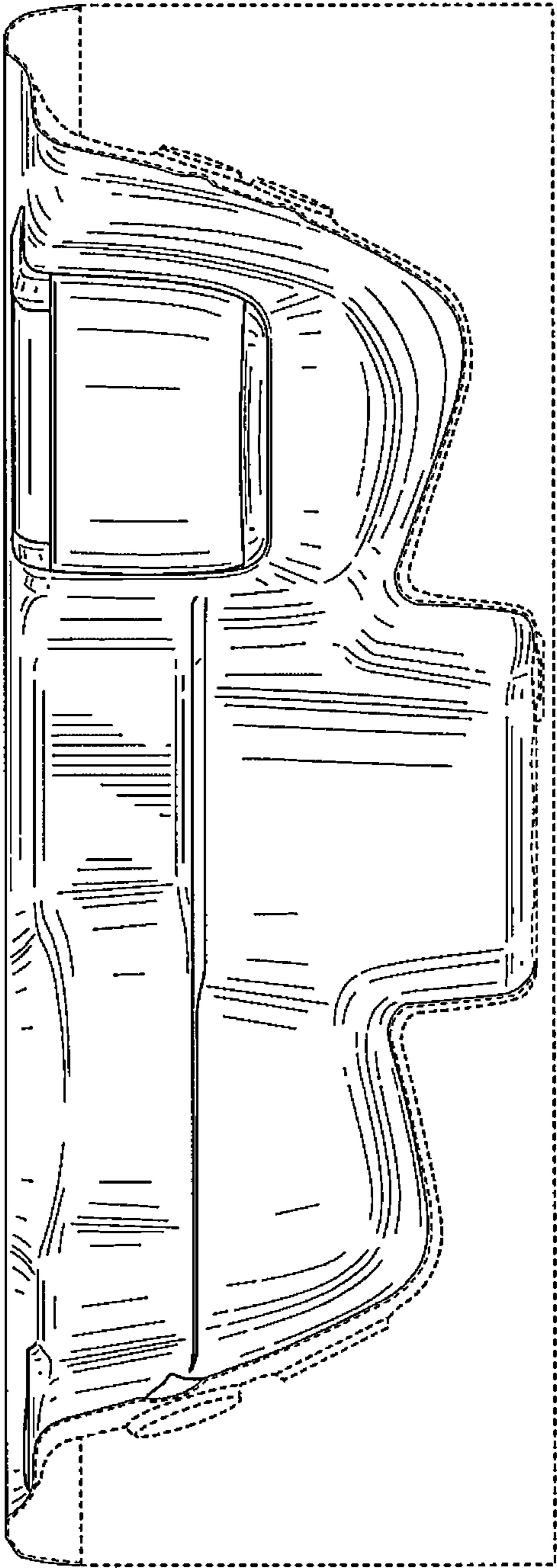


FIG. 5



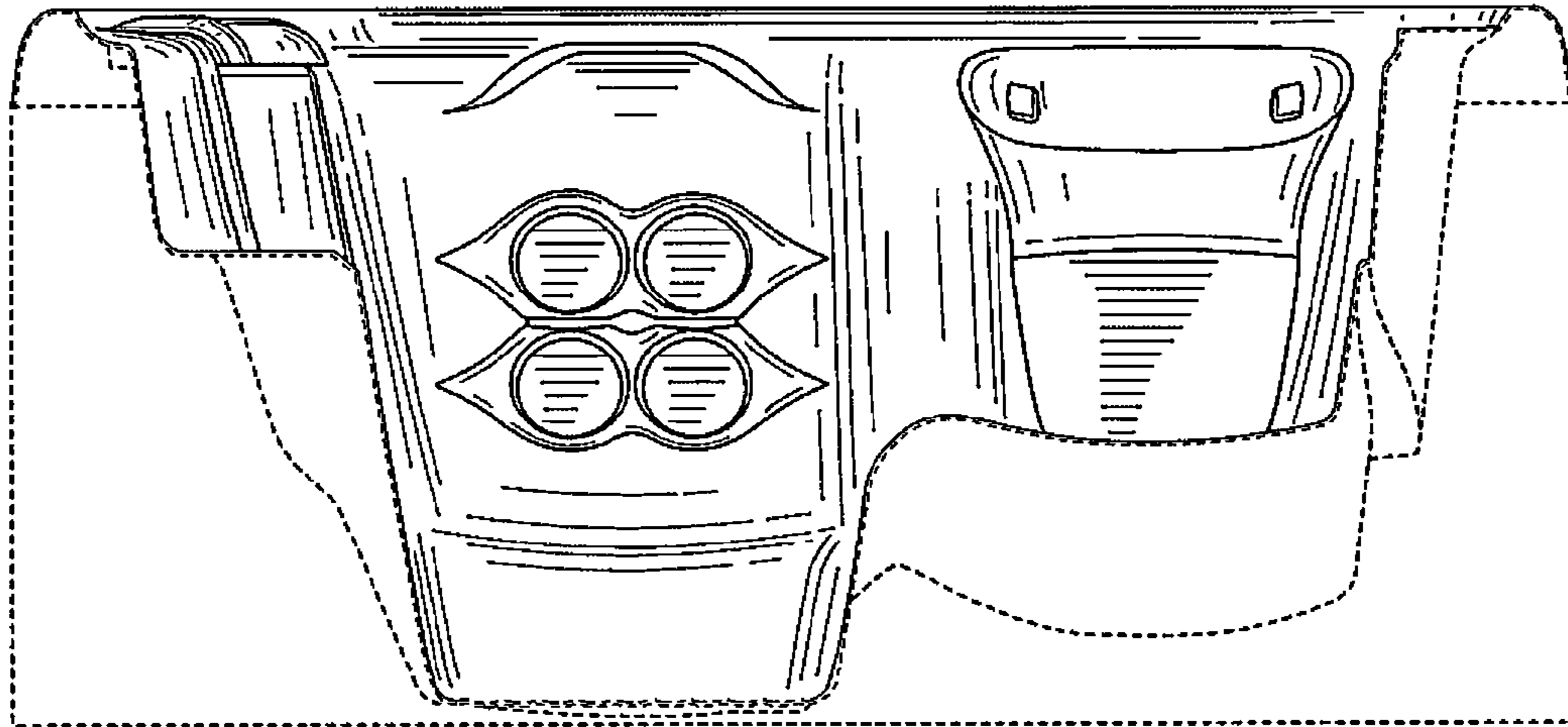


FIG. 6

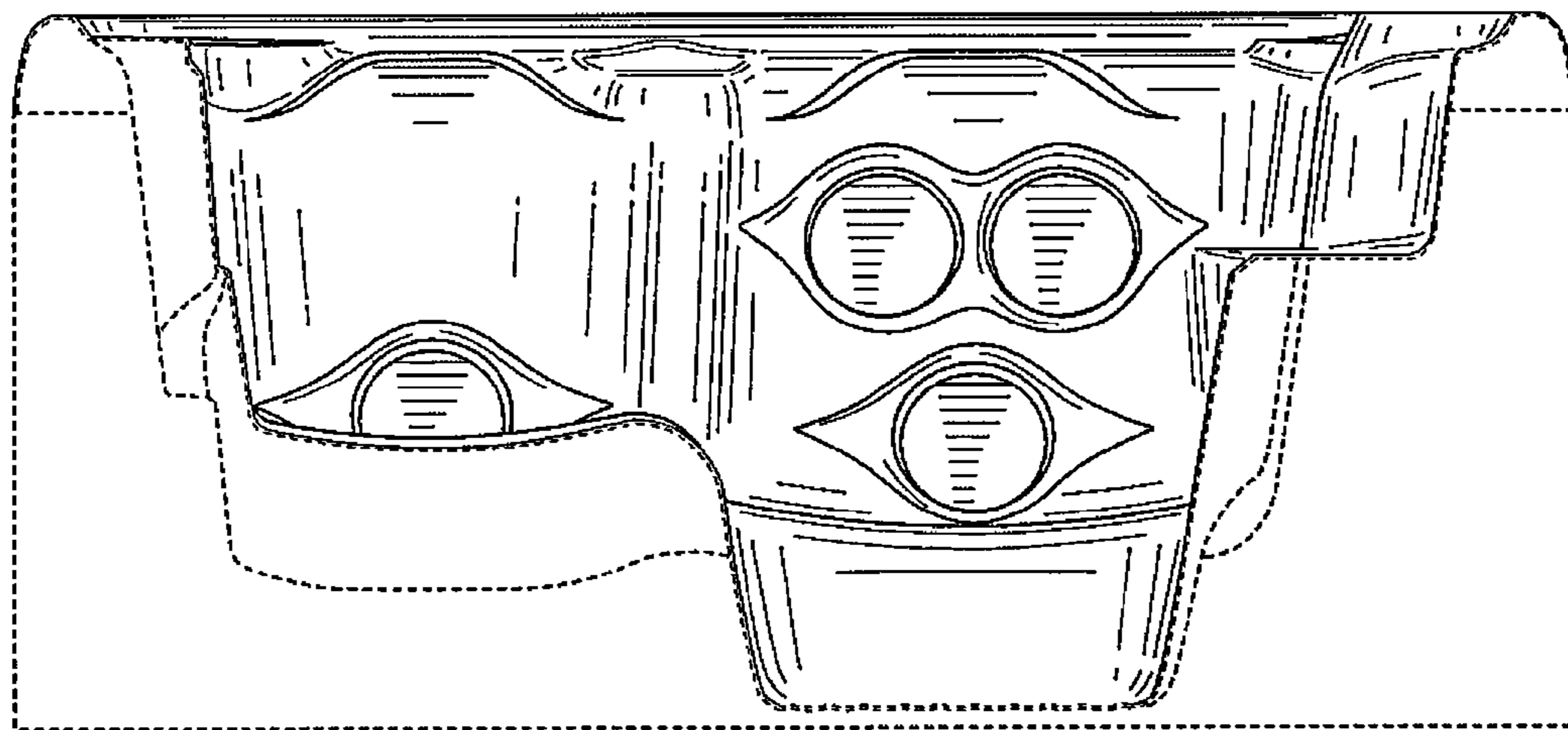


FIG. 7

UNITED STATES PATENT AND TRADEMARK OFFICE  
**CERTIFICATE OF CORRECTION**

PATENT NO. : D719,663 S  
APPLICATION NO. : 29/480607  
DATED : April 7, 2015  
INVENTOR(S) : Larsen et al.

Page 1 of 1

It is certified that error appears in the above-identified patent and that said Letters Patent is hereby corrected as shown below:

On the Title Page

Item [75], insert:

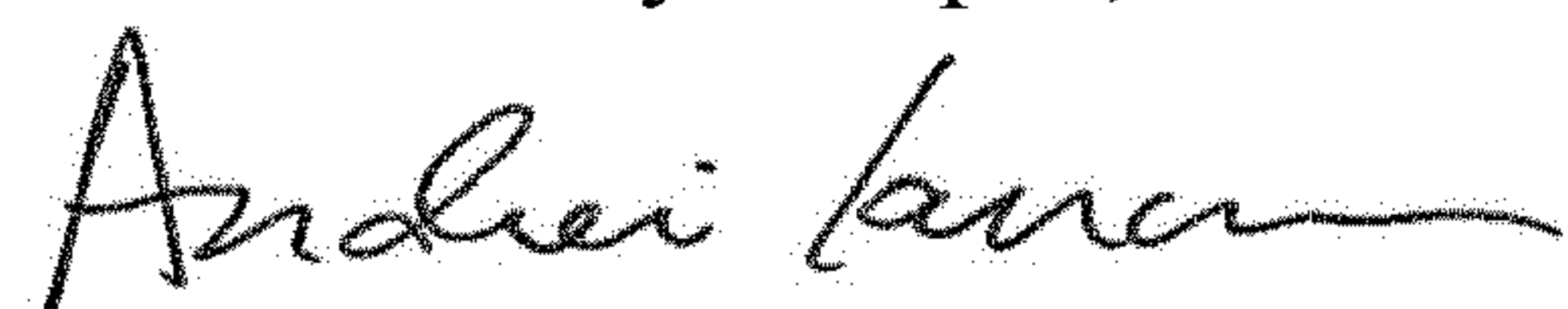
-- Fernando Pardo, Newbury Park, CA;

Tim Dze-How Chuang, Encino, CA;

Alexandra McGill, Los Angeles, CA;

Martti Johannes Lampela, Woodland Hills, CA --

Signed and Sealed this  
Ninth Day of April, 2019



Andrei Iancu  
*Director of the United States Patent and Trademark Office*