



US00D719662S

(12) **United States Design Patent**  
**Pope**

(10) **Patent No.:** **US D719,662 S**  
(45) **Date of Patent:** **\*\* Dec. 16, 2014**

(54) **NECK SUPPORT**

(71) Applicant: **Shirin Pope**, Clovis, NM (US)

(72) Inventor: **Shirin Pope**, Clovis, NM (US)

(73) Assignee: **Bache Gardan, LLC**, Albuquerque, NM (US)

(\*\*) Term: **14 Years**

(21) Appl. No.: **29/473,199**

(22) Filed: **Nov. 20, 2013**

(51) **LOC (10) Cl.** ..... **24-01**

(52) **U.S. Cl.**  
USPC ..... **D24/191**

(58) **Field of Classification Search**  
CPC ..... A61F 5/055; A61F 5/08; A61F 5/56;  
A42B 3/0473; A41D 13/0512; A63B 71/1291;  
A63B 33/00; A61H 1/0296; A61H 39/04;  
A62B 9/06; A61B 17/122  
USPC ..... D24/190, 191, 183, 106, 200; 2/60,  
2/455, 468; 602/17, 18; D29/100, 101.2;  
D6/595-598, 601, 604, 605; 5/630,  
5/633, 636, 644, 652, 653, 655, 655.3,  
5/655.9, 907; 128/848, 858, 201.18;  
D21/662, 683

See application file for complete search history.

(56) **References Cited**

**U.S. PATENT DOCUMENTS**

3,497,872 A \* 3/1970 Mitchell ..... 2/468  
3,964,474 A \* 6/1976 Fox ..... 602/18  
5,682,632 A \* 11/1997 Cotroneo ..... 5/636

D396,594 S \* 8/1998 Lefebvre ..... D6/601  
D419,267 S \* 1/2000 Hartunian ..... D29/100  
D420,845 S \* 2/2000 Ramage ..... D6/601  
6,165,146 A \* 12/2000 Giebeler ..... 602/18  
6,230,348 B1 \* 5/2001 Patrikakis ..... 5/636  
6,457,195 B1 \* 10/2002 Holste ..... 5/636  
D469,541 S \* 1/2003 Cheatham ..... D24/191  
6,658,681 B2 \* 12/2003 Britto et al. .... 5/655  
D582,045 S \* 12/2008 James ..... D24/191  
D623,306 S \* 9/2010 Boyer ..... D24/200  
D637,439 S \* 5/2011 Mettler ..... D6/601  
D669,724 S \* 10/2012 Kokoshari ..... D6/601  
D670,396 S \* 11/2012 Doogan ..... D24/200  
8,376,752 B2 \* 2/2013 McDevitt ..... 434/262  
2002/0156408 A1 \* 10/2002 Cheatham ..... 602/13

\* cited by examiner

*Primary Examiner* — George D Kirschbaum

*Assistant Examiner* — Jennifer Watkins

(74) *Attorney, Agent, or Firm* — Kameron W. Kramer

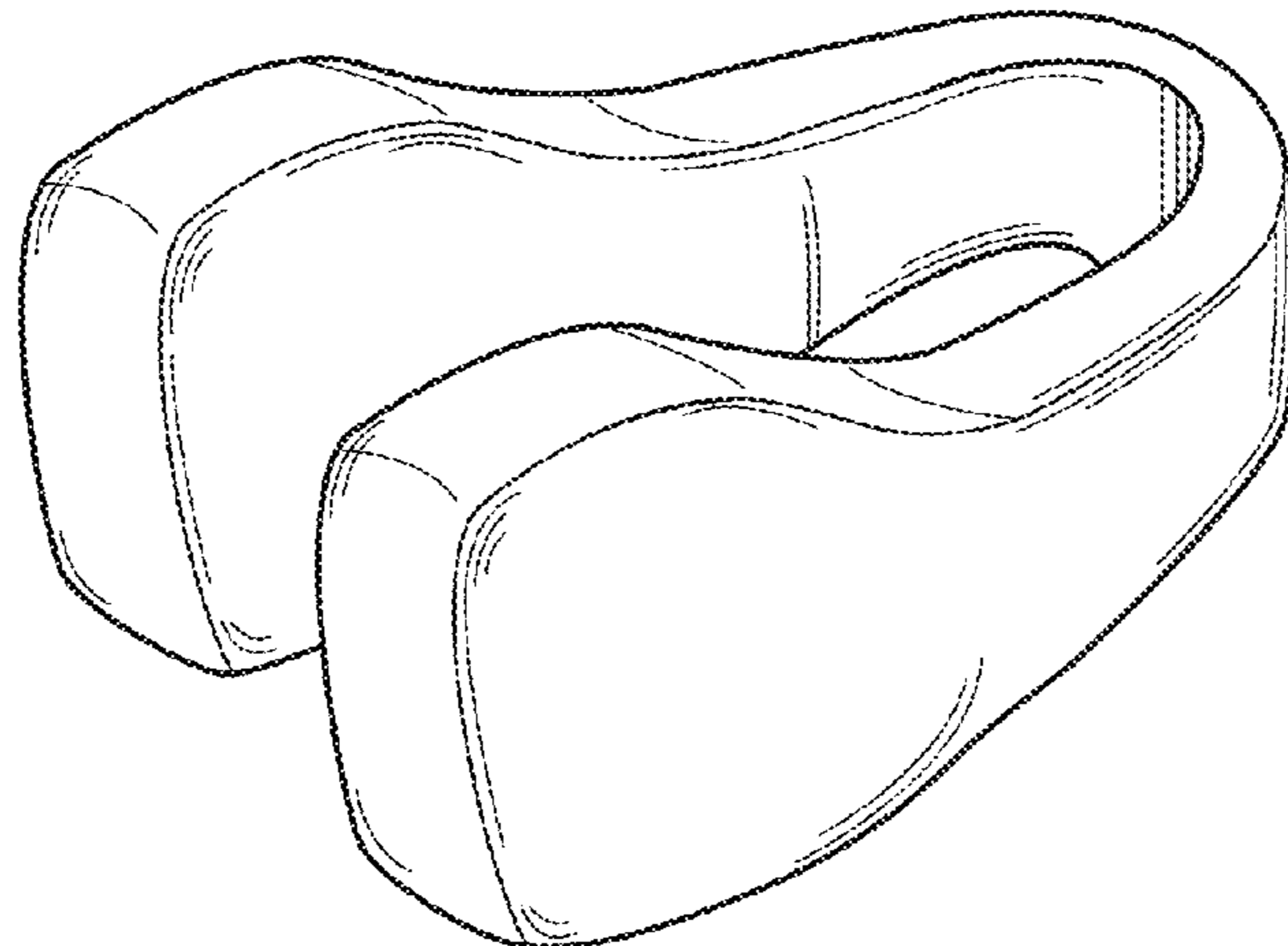
(57) **CLAIM**

The ornamental design for a neck support, as shown and described.

**DESCRIPTION**

FIG. 1 is a perspective view of a neck support;  
FIG. 2 is a side elevation view of the neck support;  
FIG. 3 is a front elevation view of the neck support;  
FIG. 4 is a rear elevation view of the neck support;  
FIG. 5 is a top plan view of the neck support;  
FIG. 6 is a perspective view of the neck support shown in use;  
and,  
FIG. 7 is a perspective view of the neck support shown in use.  
The broken lines illustrate environment which forms no part of the claimed design.

**1 Claim, 7 Drawing Sheets**



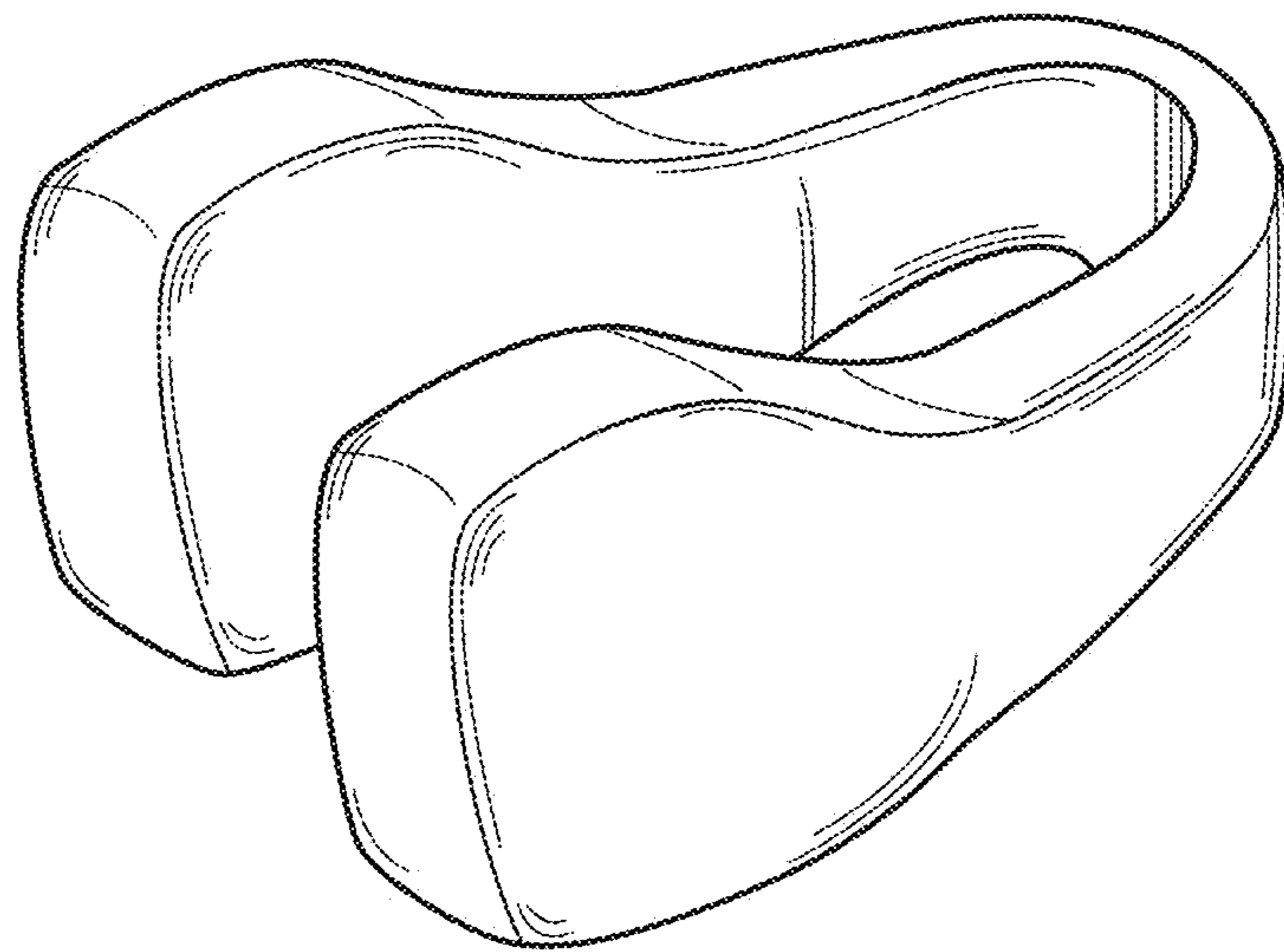


FIG. 1

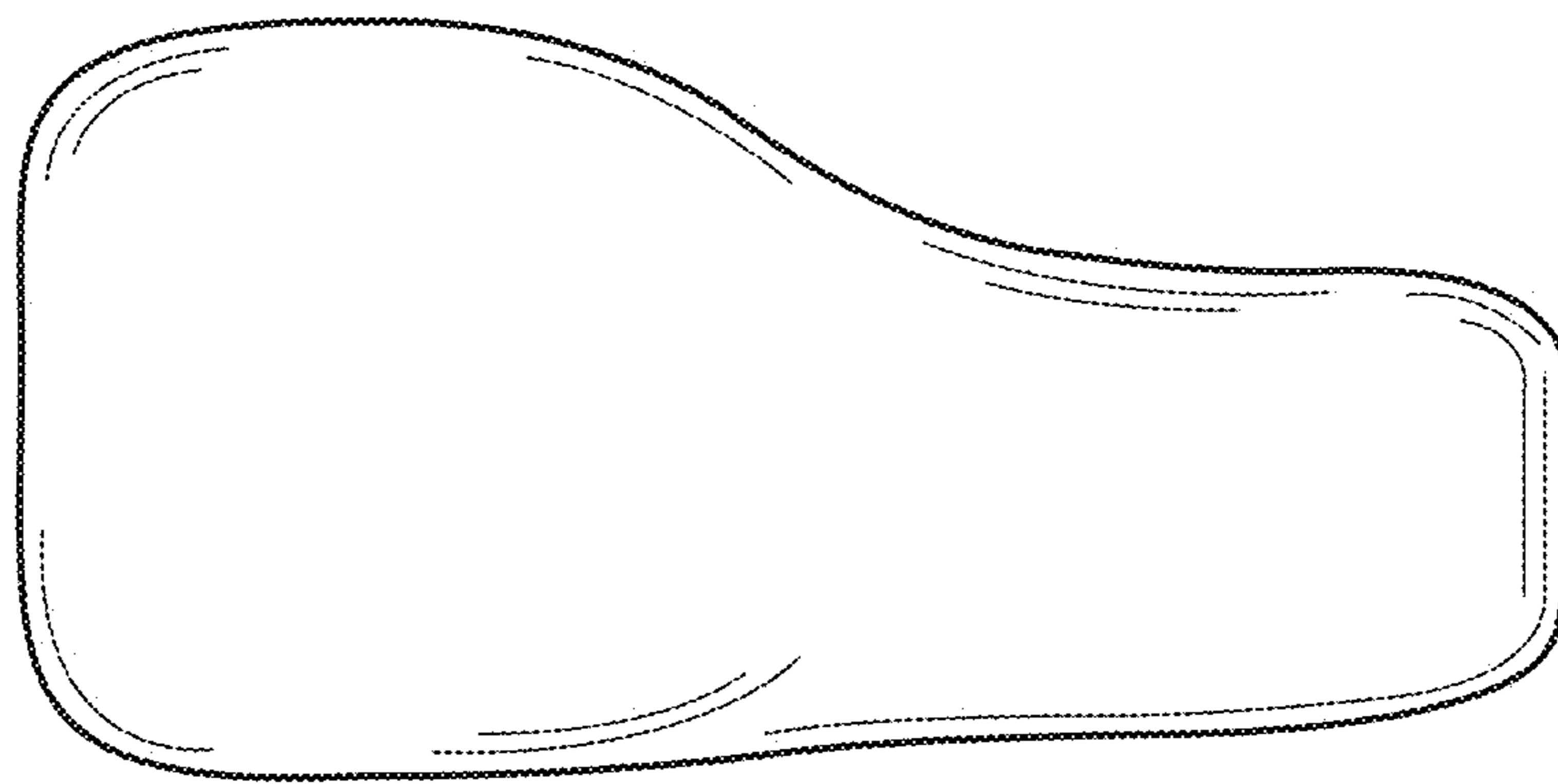


FIG. 2

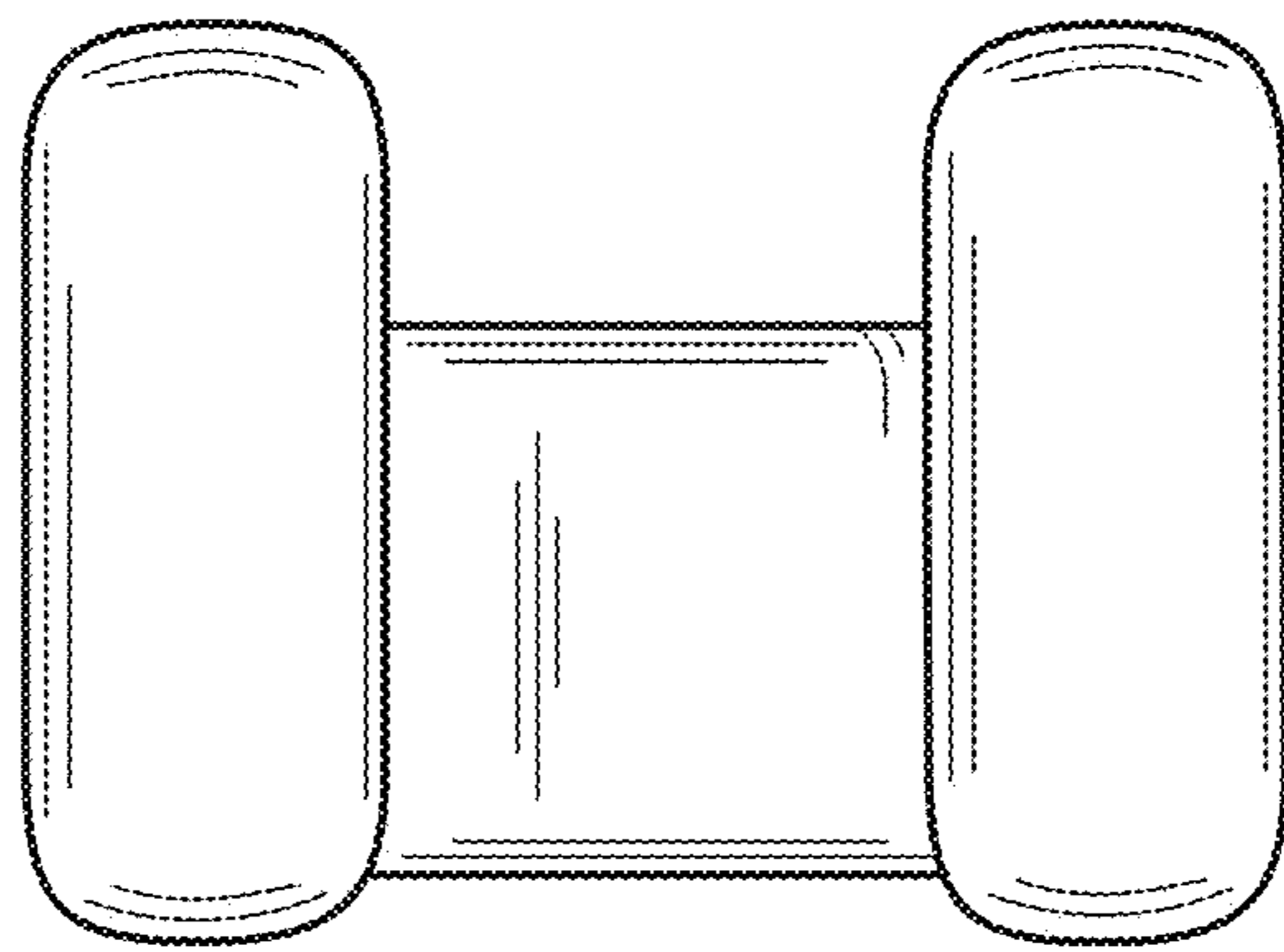


FIG. 3

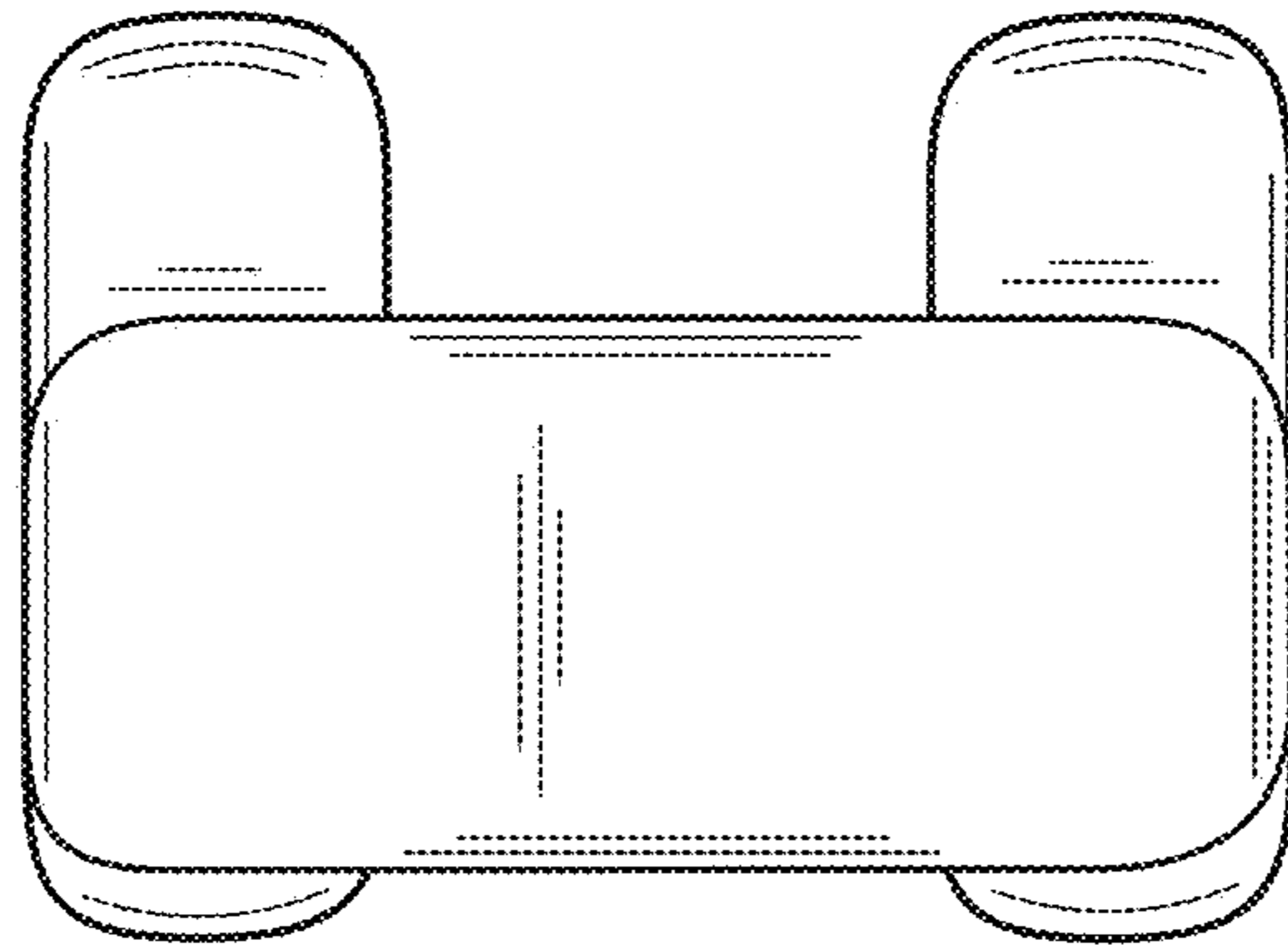


FIG. 4

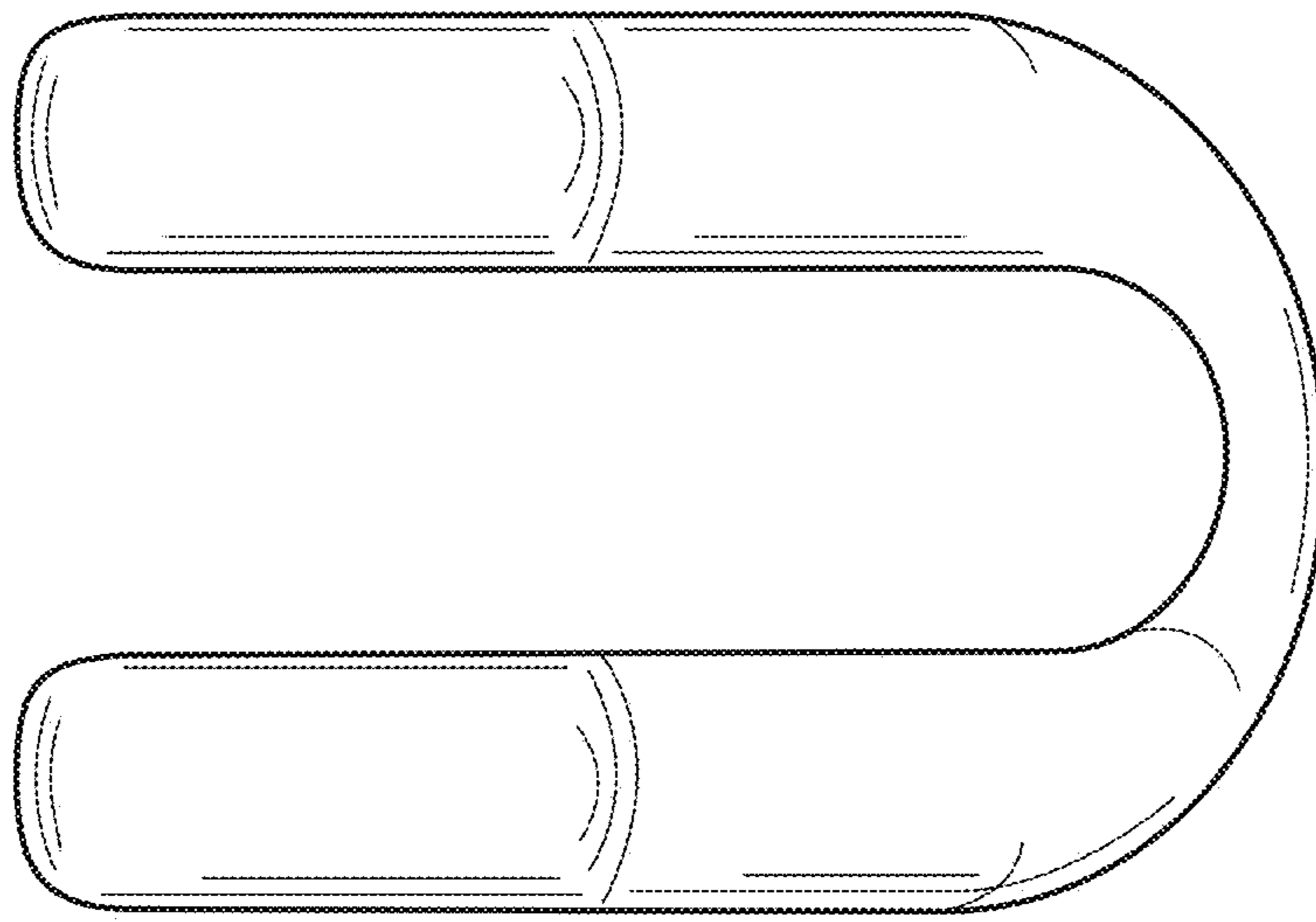


FIG. 5



FIG. 6

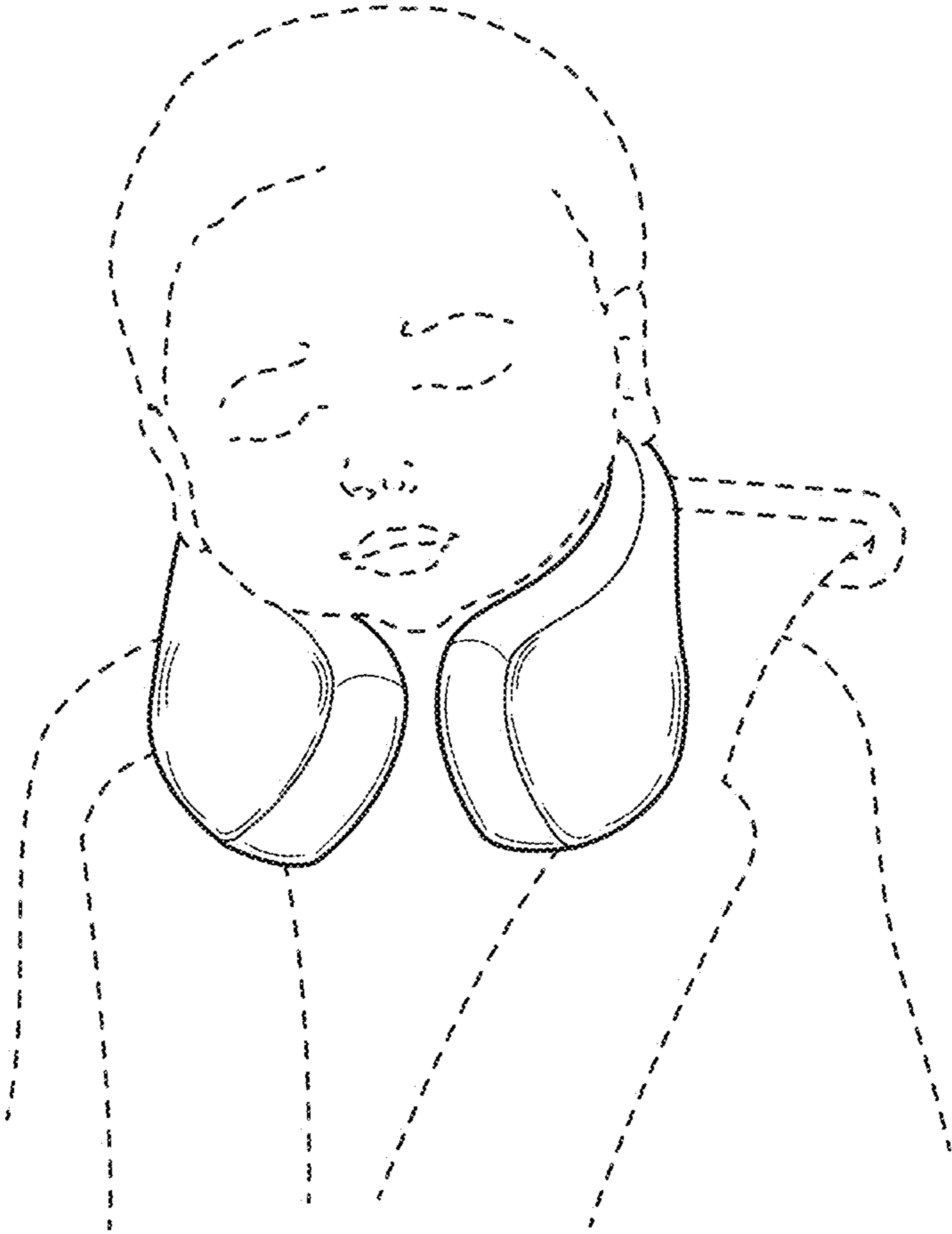


FIG. 7