



US00D719661S

(12) **United States Design Patent**  
**Guccione**

(10) **Patent No.:** **US D719,661 S**

(45) **Date of Patent:** **\*\* Dec. 16, 2014**

(54) **SPINAL SUPPORT**

(71) Applicant: **Laura Guccione**, Gunnison, CO (US)

(72) Inventor: **Laura Guccione**, Gunnison, CO (US)

(\*\*) Term: **14 Years**

(21) Appl. No.: **29/467,169**

(22) Filed: **Sep. 16, 2013**

(51) **LOC (10) Cl.** ..... **24-04**

(52) **U.S. Cl.**  
USPC ..... **D24/190**

(58) **Field of Classification Search**

CPC ..... A61F 5/028; A61F 5/026; A61F 5/024;  
A61F 5/02; A61F 5/34; A41D 13/0525;  
A41D 13/0531; Y10S 128/20; Y10S 128/23;  
A47C 16/00; A61H 2201/165; A61H 1/0292;  
A63B 21/1419

USPC ..... D24/188-190, 200; D29/100, 101.1,  
D29/101.3, 101.5; D2/624, 627, 629, 634,  
D2/635; 602/5, 13, 19; 128/DIG. 20, 112.1,  
128/115.1, 100.1-101.1; 2/44, 45, 300,  
2/338, 463, 465; D21/662, 678, 805

See application file for complete search history.

(56) **References Cited**

**U.S. PATENT DOCUMENTS**

1,401,056 A \* 12/1921 Doyle ..... 602/19  
3,362,402 A \* 1/1968 Loeffel et al. .... 602/19  
D296,930 S \* 7/1988 Carabelli ..... D24/190  
D338,533 S \* 8/1993 Burget et al. .... D24/206

D396,076 S \* 7/1998 Muasher ..... D21/662  
5,967,998 A \* 10/1999 Modglin ..... 602/19  
D489,845 S \* 5/2004 Dainese ..... D29/100  
D569,043 S \* 5/2008 Crye et al. .... D29/100  
D659,252 S \* 5/2012 Batiste et al. .... D24/190  
D677,390 S \* 3/2013 Garth et al. .... D24/190  
2005/0251075 A1 \* 11/2005 Smith ..... 602/19  
2007/0089596 A1 \* 4/2007 Huber et al. .... 89/36.02  
2008/0188785 A1 \* 8/2008 Shutes et al. .... 602/19

\* cited by examiner

*Primary Examiner* — Eric Goodman

*Assistant Examiner* — Jennifer Watkins

(74) *Attorney, Agent, or Firm* — Marsh Fischmann & Breyfogle LLP

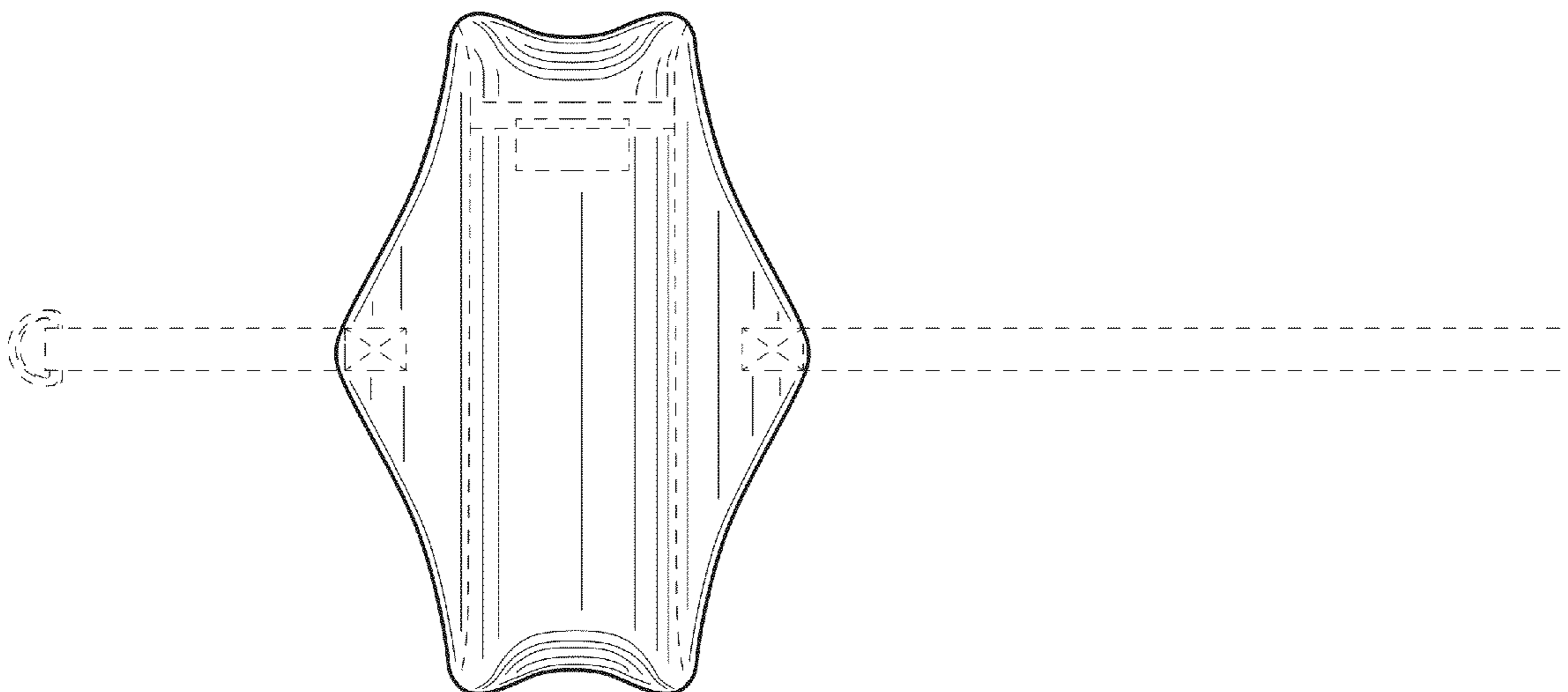
(57) **CLAIM**

The ornamental design for a spinal support, as shown and described.

**DESCRIPTION**

FIG. 1 is a front view of the spinal support;  
FIG. 2 is a rear view of the spinal support of FIG. 1;  
FIG. 3 is a left side view of the spinal support of FIG. 1;  
FIG. 4 is a right side view of the spinal support of FIG. 1; and,  
FIG. 5 is a top view of the spinal support of FIG. 1.  
The broken lines in the drawings indicate environment/structure and form no part of the design to be patented. A bottom view of the spinal support has been omitted as it is duplicate of the top view as the bottom view is a mirror image of the top view.

**1 Claim, 4 Drawing Sheets**



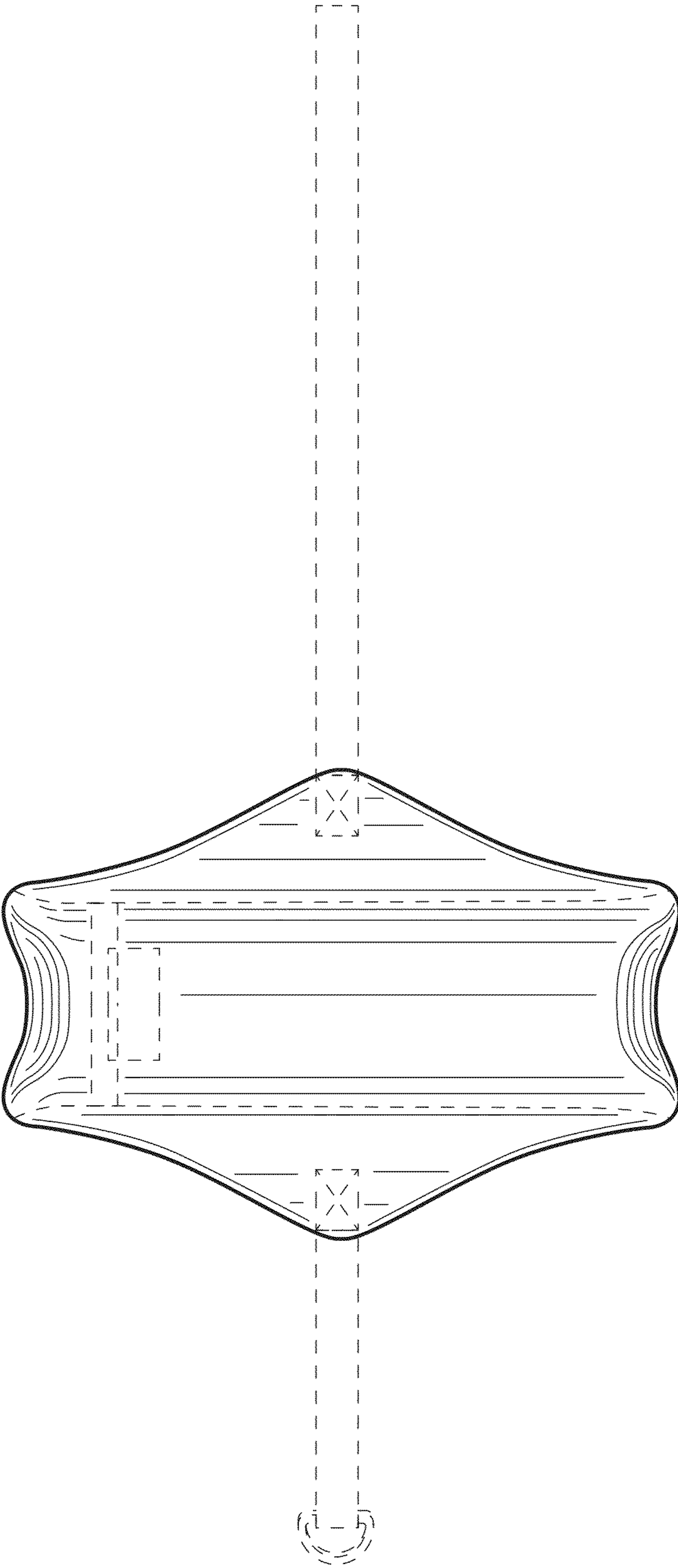


FIG.1

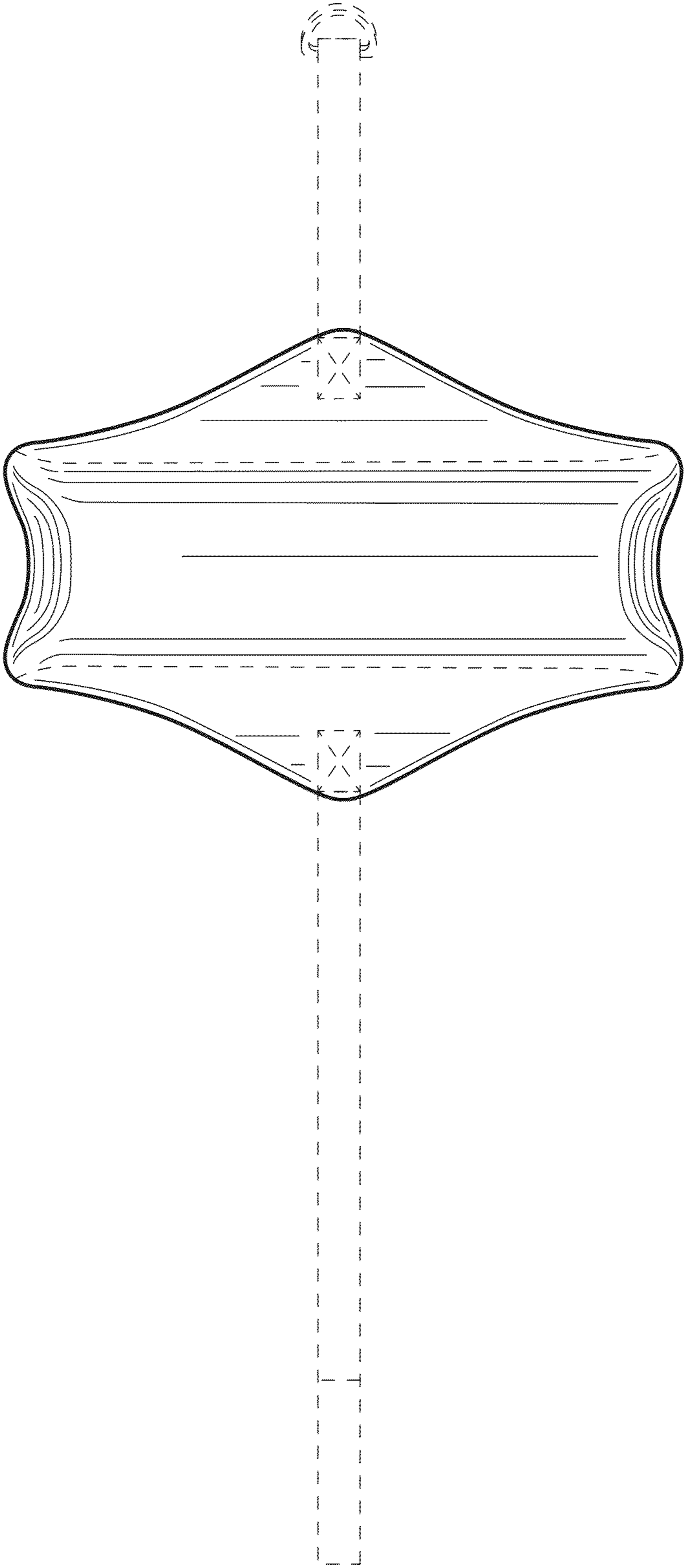


FIG.2

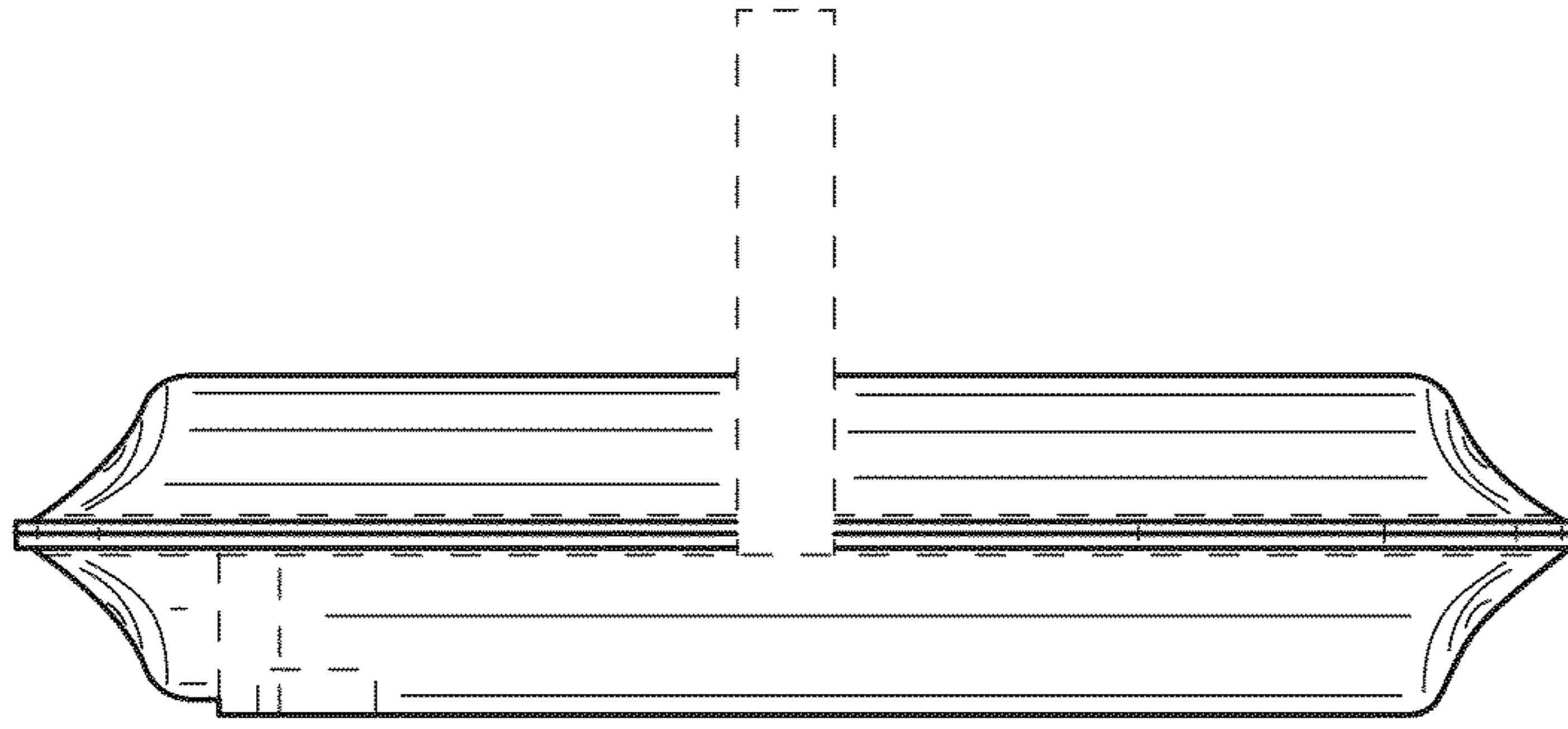


FIG.4

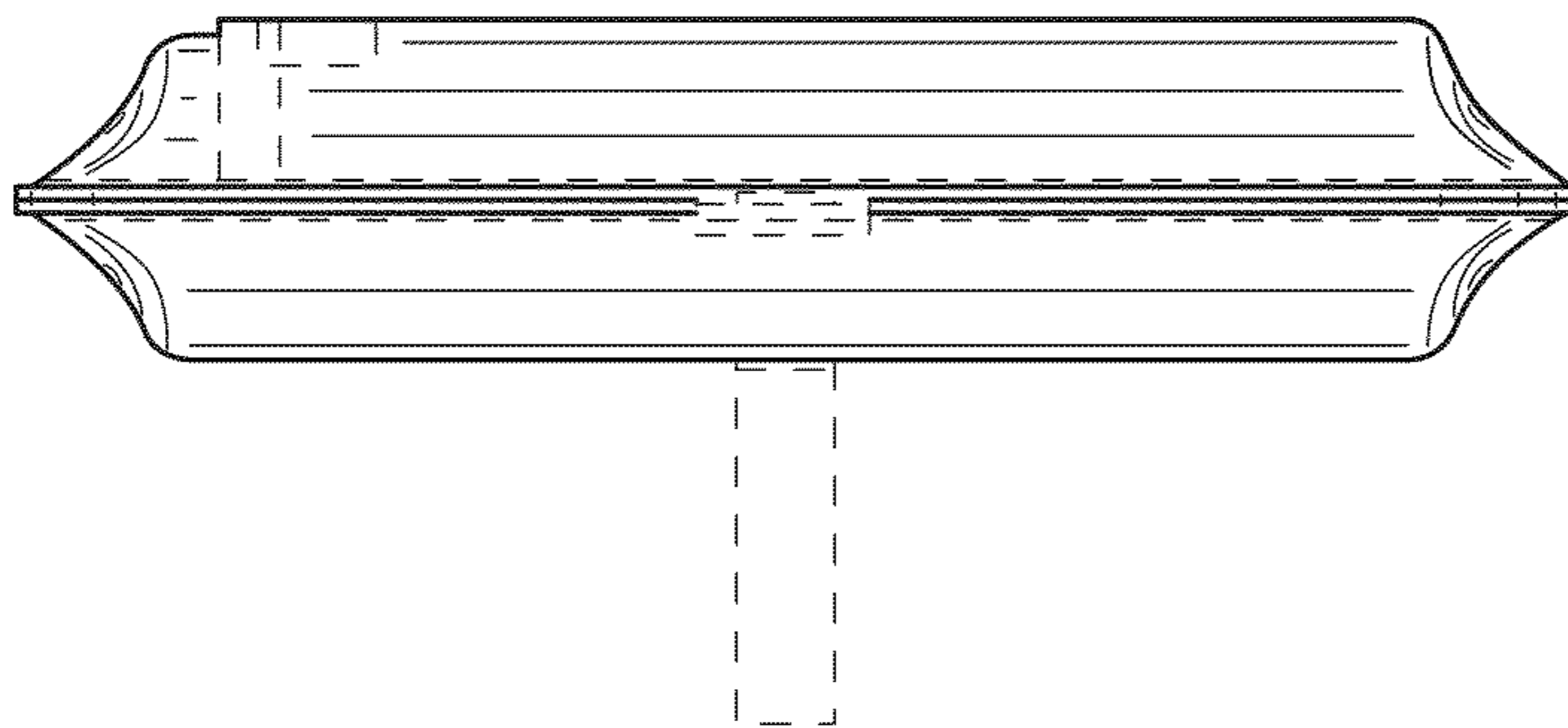


FIG.3

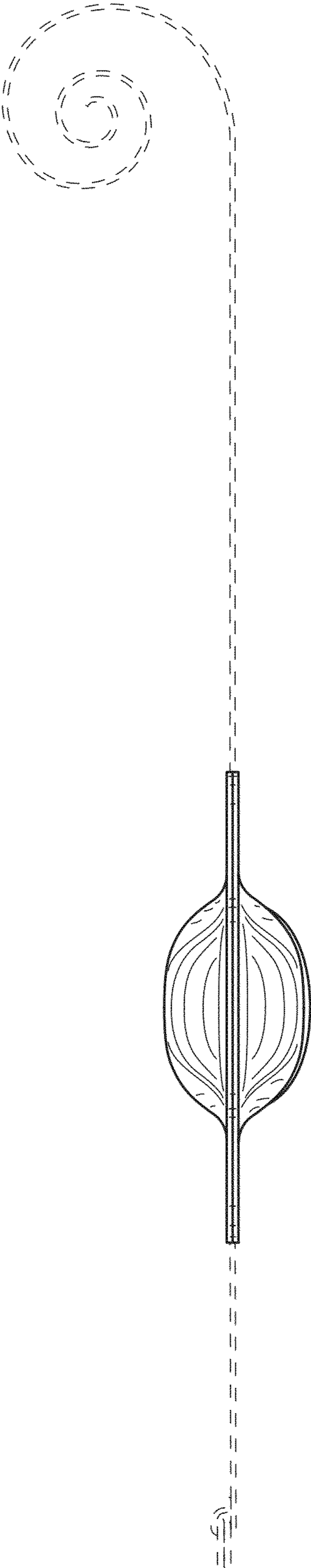


FIG.5