



US00D719658S

(12) **United States Design Patent**  
**McDougall et al.**

(10) **Patent No.:** **US D719,658 S**

(45) **Date of Patent:** **\*\* Dec. 16, 2014**

(54) **BLOOD PRESSURE MONITOR**

(71) Applicant: **Qardio, Inc.**, Walnut Creek, CA (US)

(72) Inventors: **Allan McDougall**, Edinburgh (GB);  
**Blair Hutton**, Edinburgh (GB); **Will Davies**,  
Edinburgh (GB); **Marco Peluso**, London (GB);  
**Rosario Iannella**, Amsterdam (NL)

(73) Assignee: **Qardio, Inc.**, Walnut, CA (US)

(\*\*) Term: **14 Years**

(21) Appl. No.: **29/459,134**

(22) Filed: **Jun. 26, 2013**

(51) **LOC (10) Cl.** ..... **24-02**

(52) **U.S. Cl.**  
USPC ..... **D24/165**

(58) **Field of Classification Search**  
USPC ..... D24/165-168, 186, 107; D10/75, 98;  
600/301, 481-483, 485, 490, 493-495,  
600/500, 503, 509; 128/900  
See application file for complete search history.

(56) **References Cited**

**U.S. PATENT DOCUMENTS**

D324,570 S \* 3/1992 Arioka et al. .... D24/165  
D341,659 S \* 11/1993 Homayoun et al. .... D24/167

D356,377 S \* 3/1995 Tsubota et al. .... D24/165  
D373,419 S \* 9/1996 Muramatsu et al. .... D24/165  
D550,844 S \* 9/2007 Gutmann et al. .... D24/165  
D582,043 S \* 12/2008 Koike et al. .... D24/165  
D583,477 S \* 12/2008 Kato ..... D24/165  
D589,150 S \* 3/2009 Kato ..... D24/167

\* cited by examiner

*Primary Examiner* — Anhdao Doan

(74) *Attorney, Agent, or Firm* — Shartsis Friese LLP; Cecily Anne O'Regan

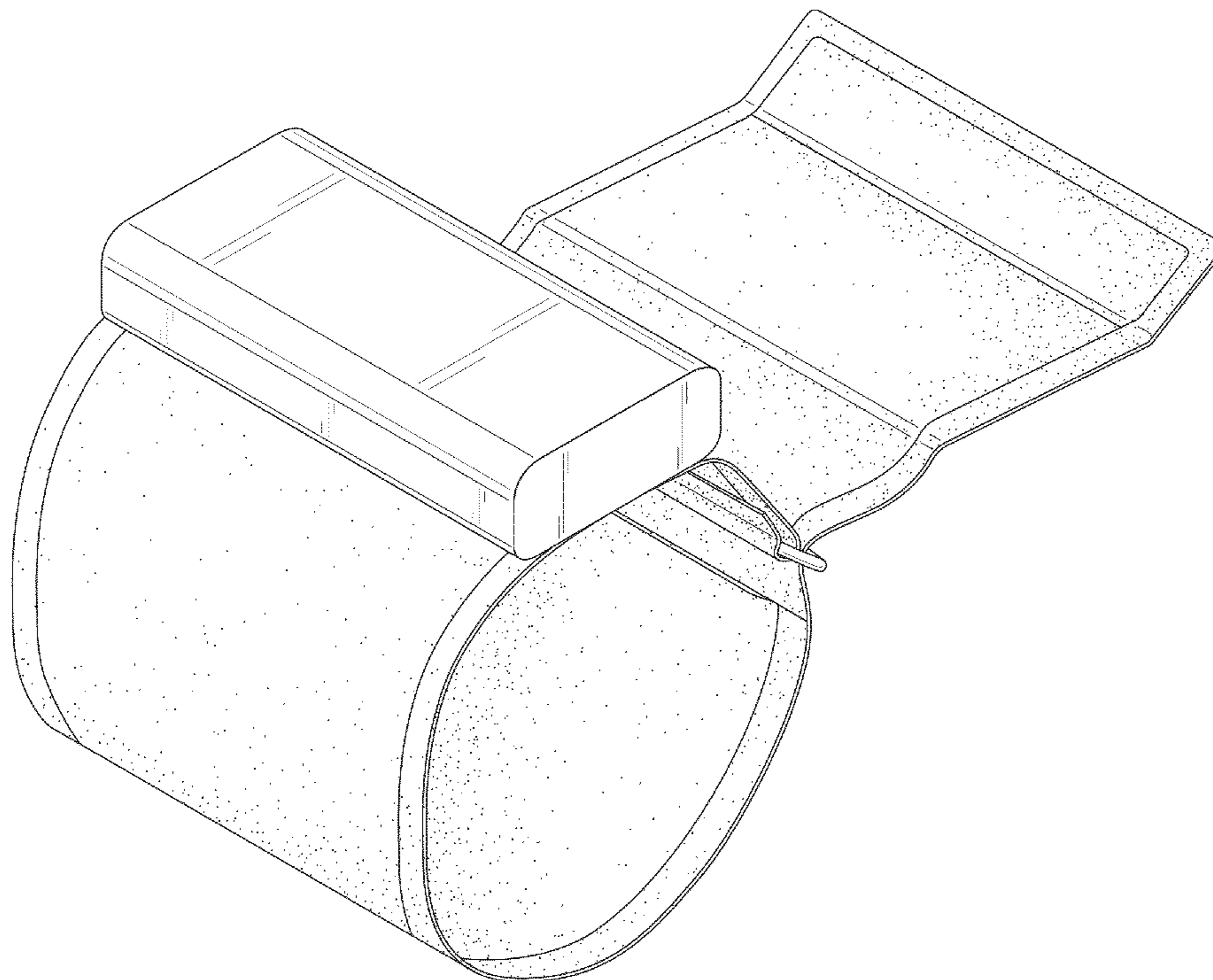
(57) **CLAIM**

The ornamental design for a blood pressure monitor, as shown and described.

**DESCRIPTION**

FIG. 1 is a perspective view of a blood pressure monitor in a closed configuration;  
FIG. 2 is a front side view of a blood pressure monitor;  
FIG. 3 is a back side view of a blood pressure monitor;  
FIG. 4 is a left side view of a blood pressure monitor;  
FIG. 5 is a right side view of a blood pressure monitor;  
FIG. 6 is a top side view of a blood pressure monitor;  
FIG. 7 is a bottom side view of a blood pressure monitor;  
FIG. 8 is a perspective view of a blood pressure monitor in a partially open configuration; and,  
FIG. 9 is a perspective view of a blood pressure monitor which is opened up so that the cuff is lying flat.

**1 Claim, 9 Drawing Sheets**



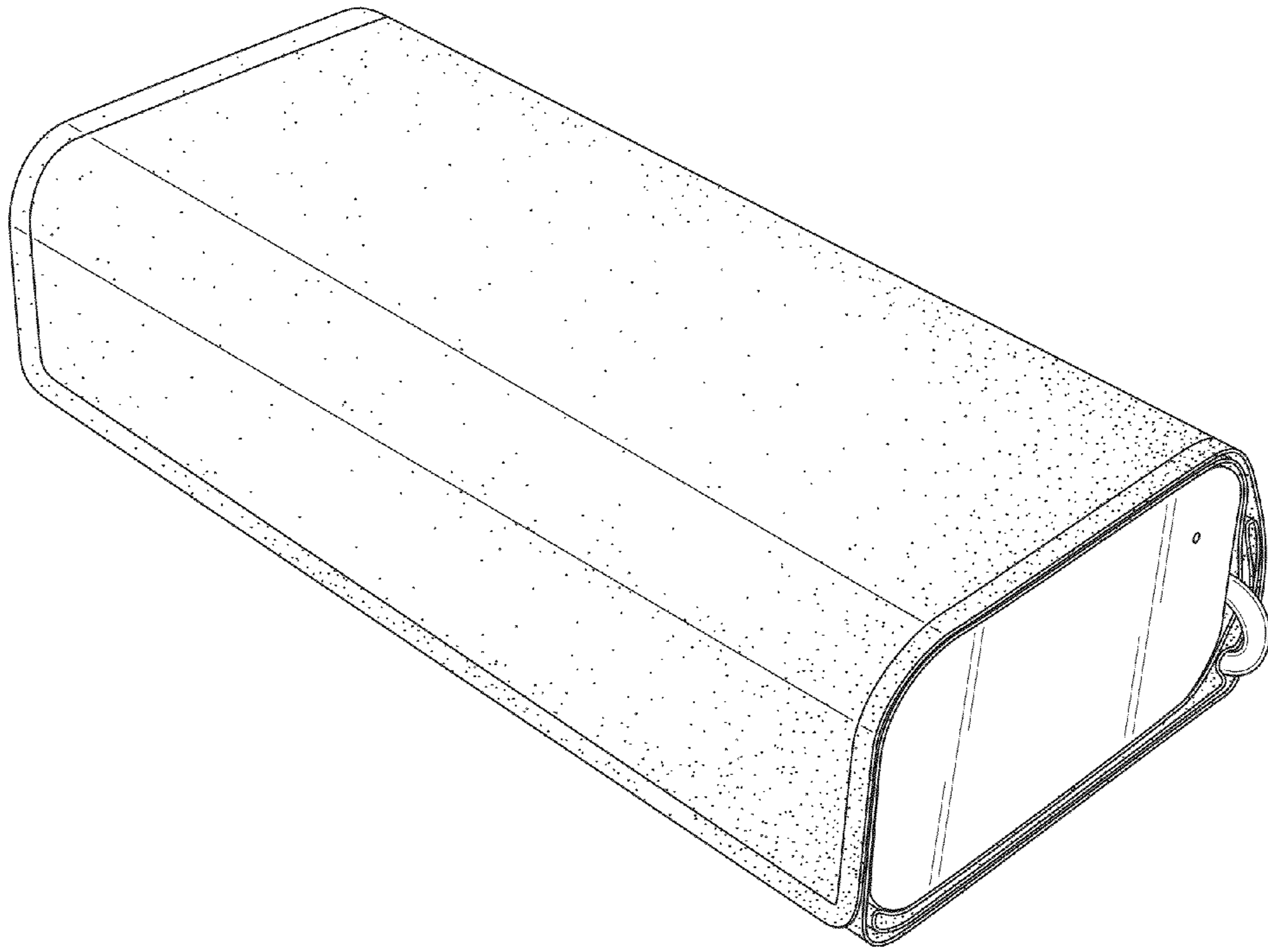


FIG. 1

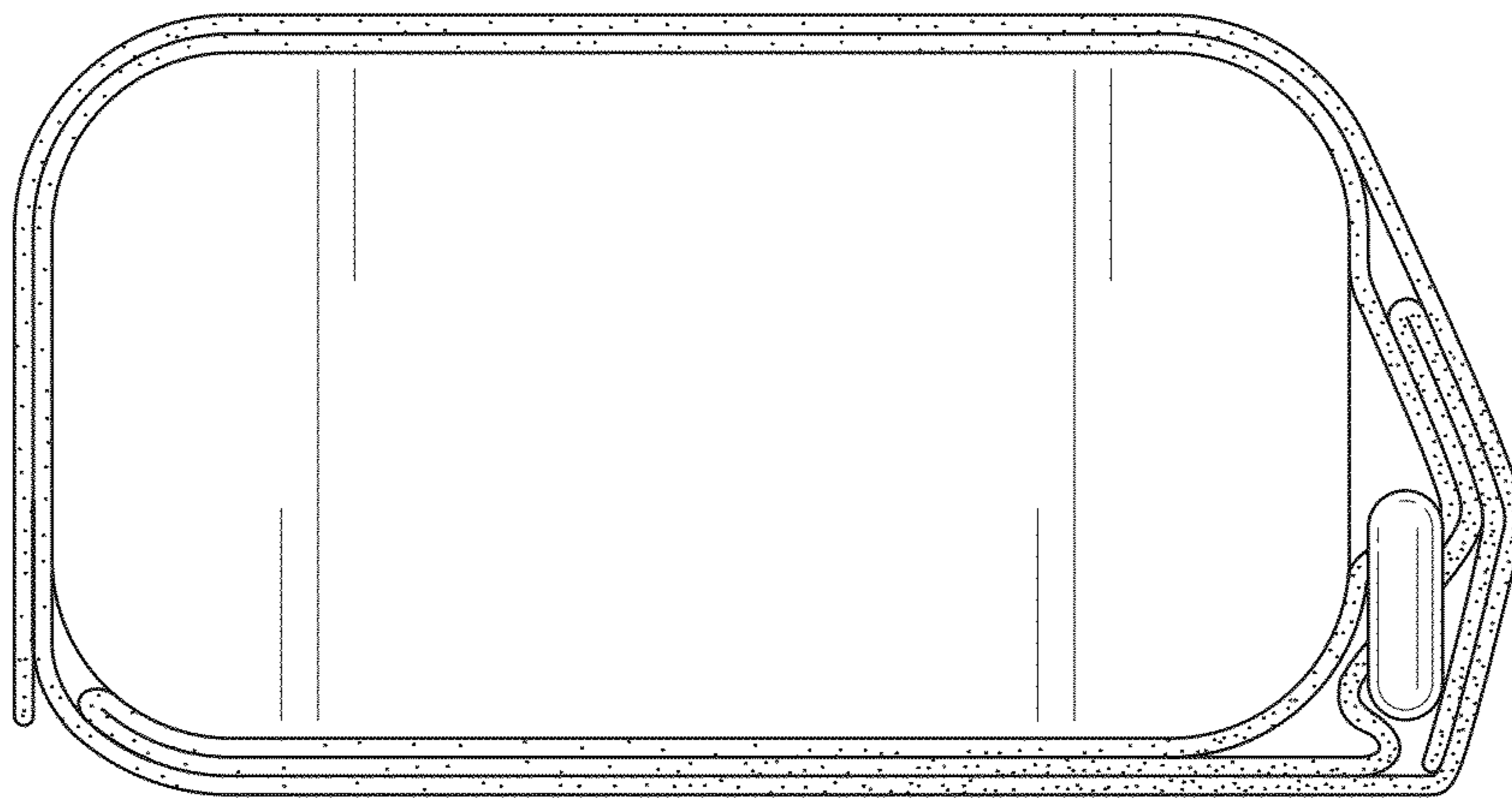


FIG. 2

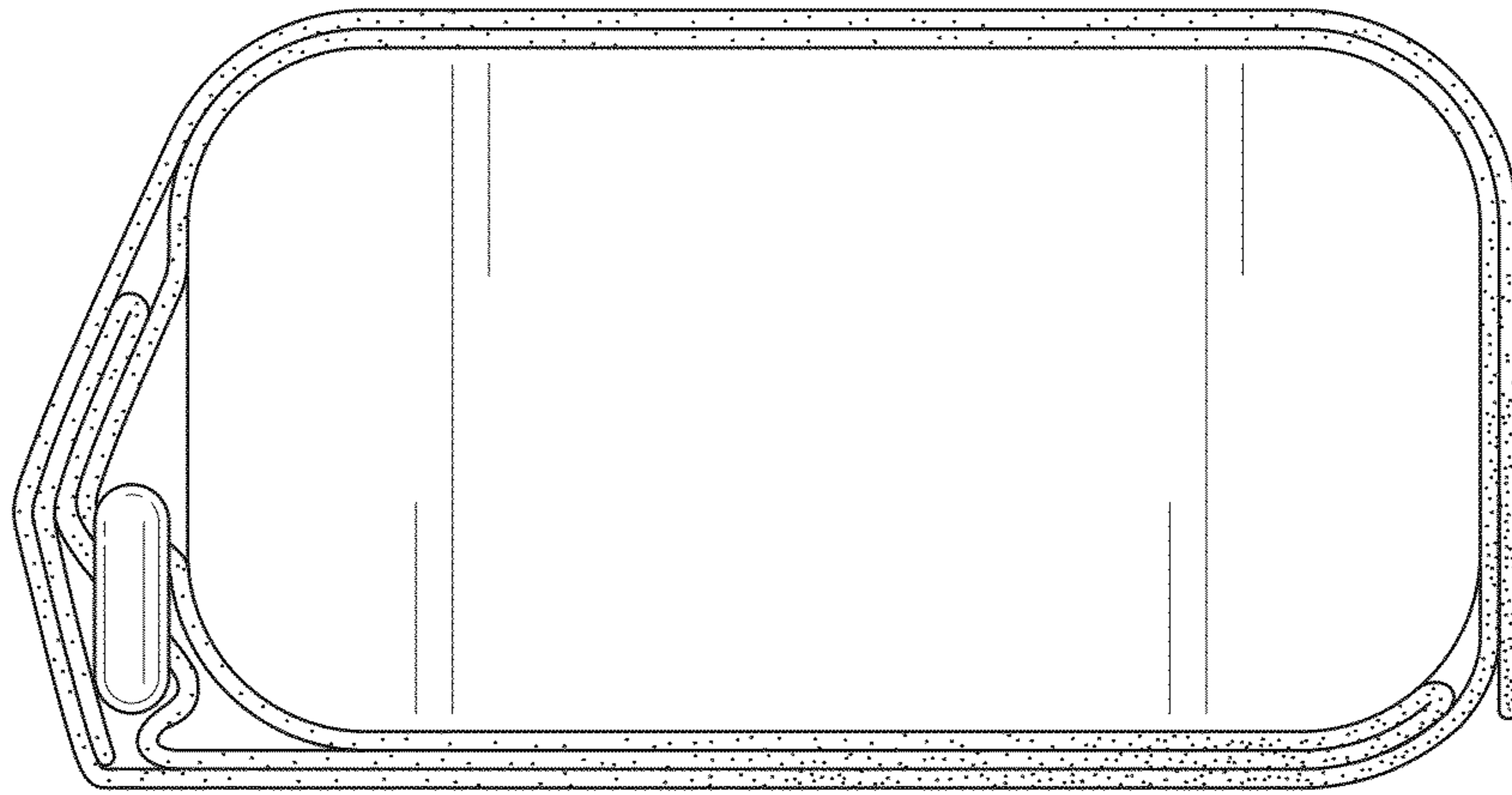


FIG. 3

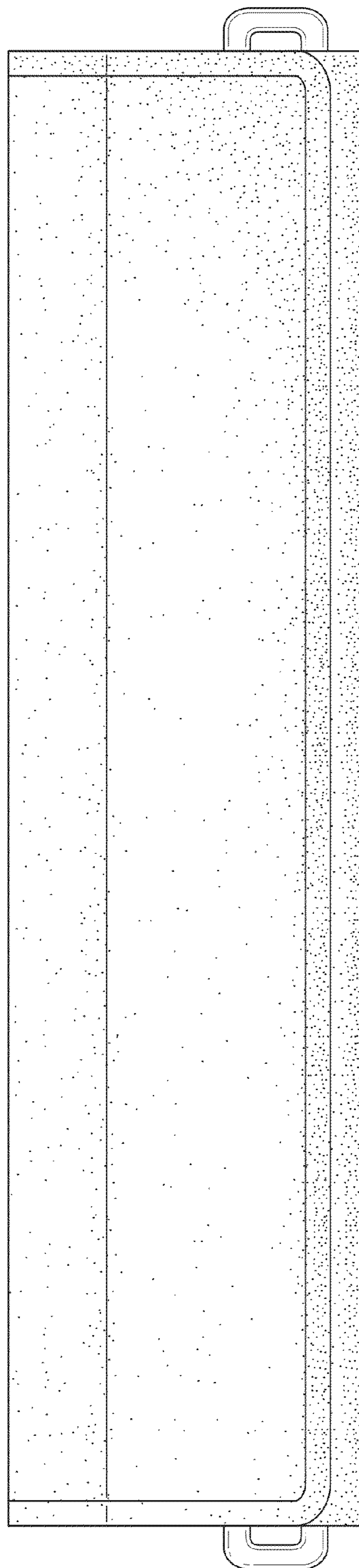


FIG. 4



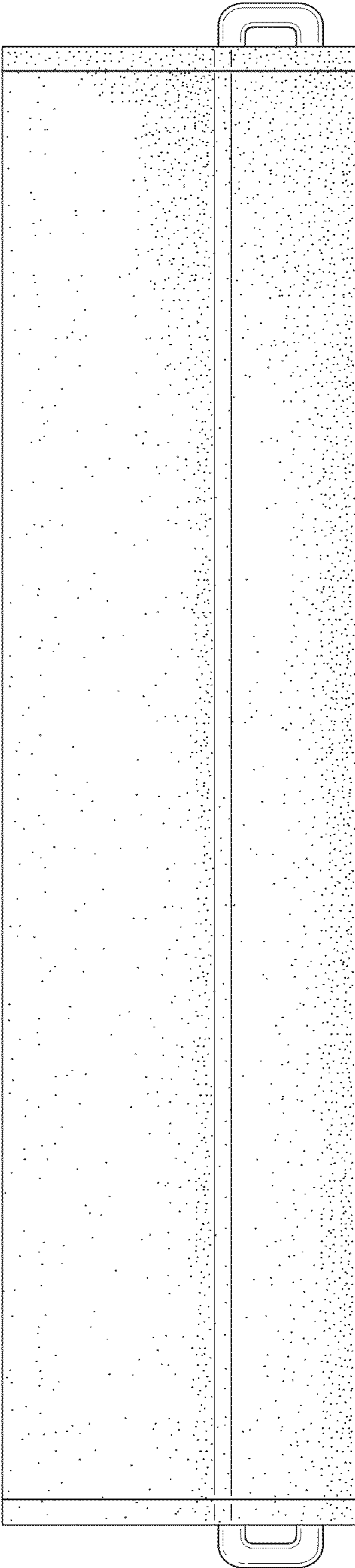


FIG. 5

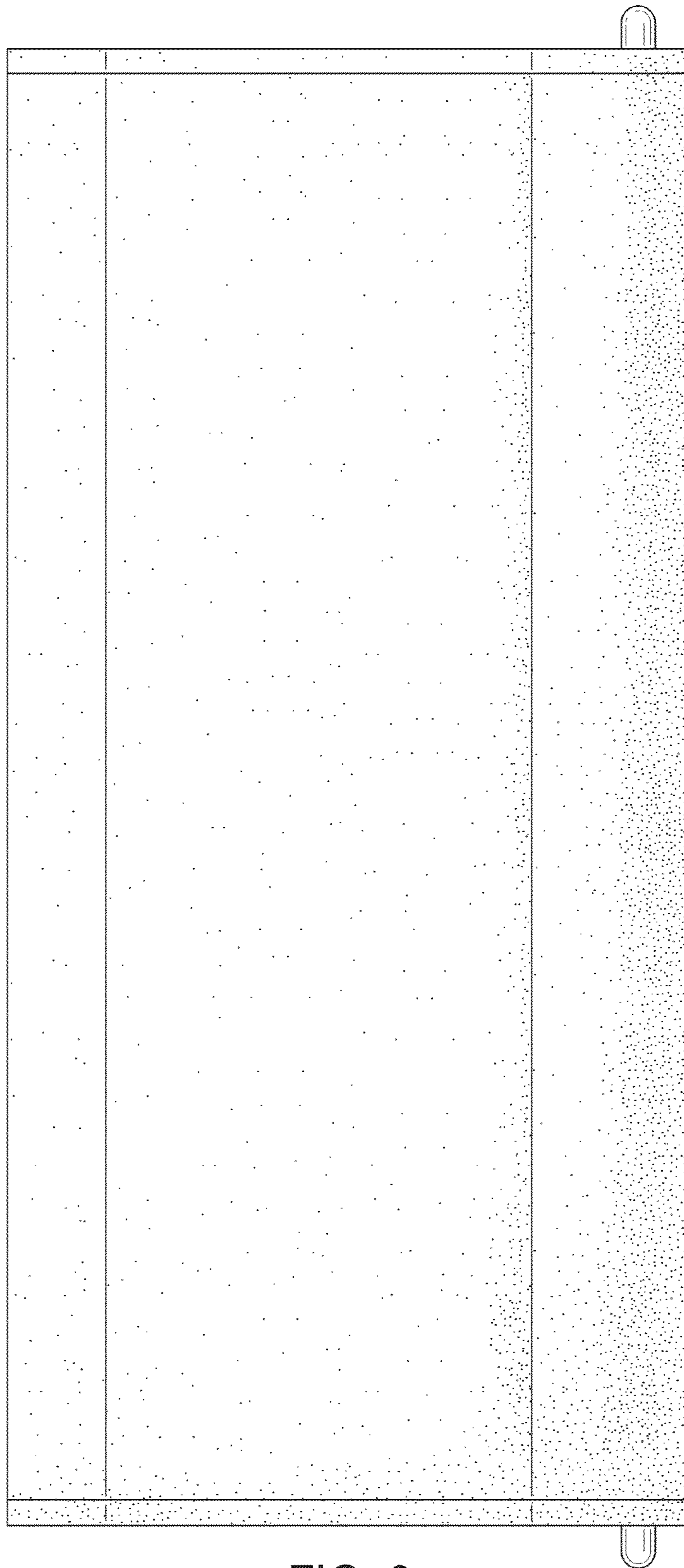


FIG. 6

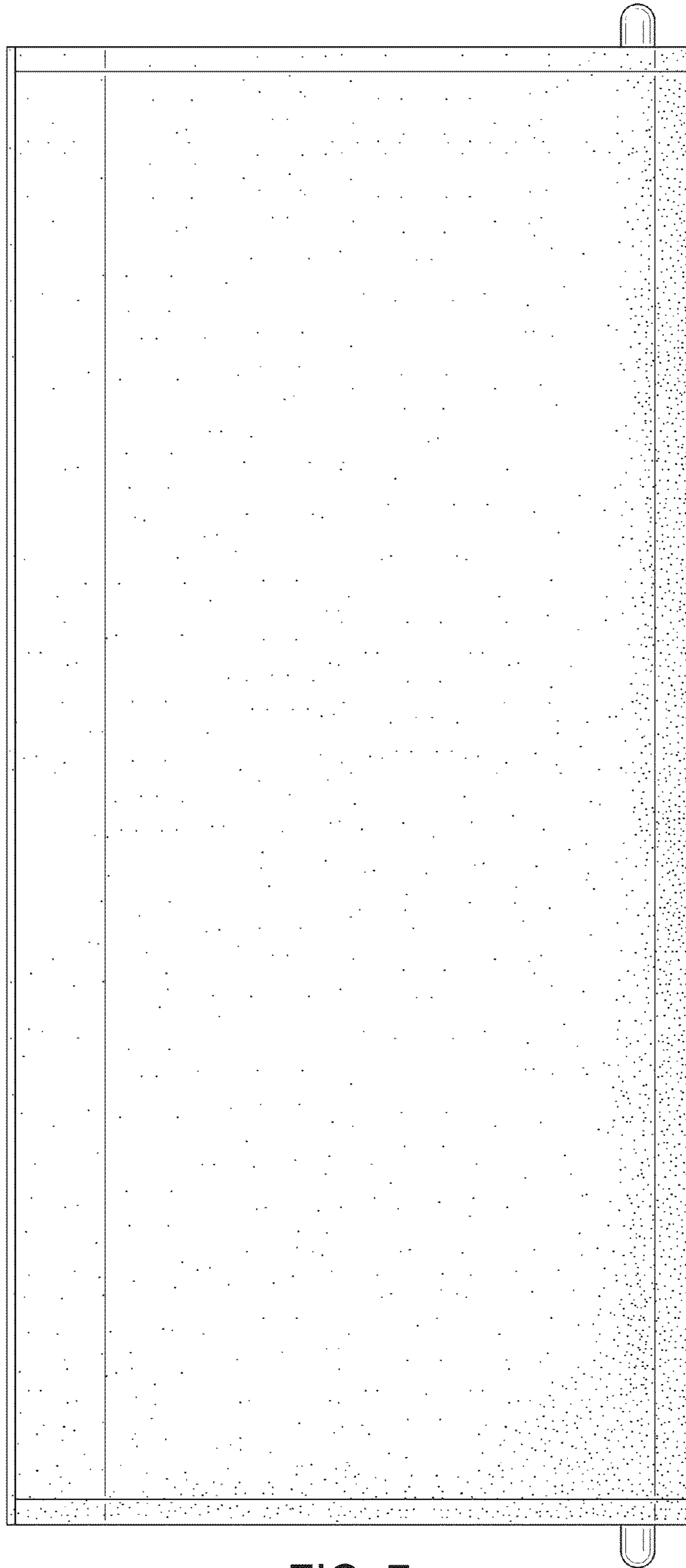


FIG. 7



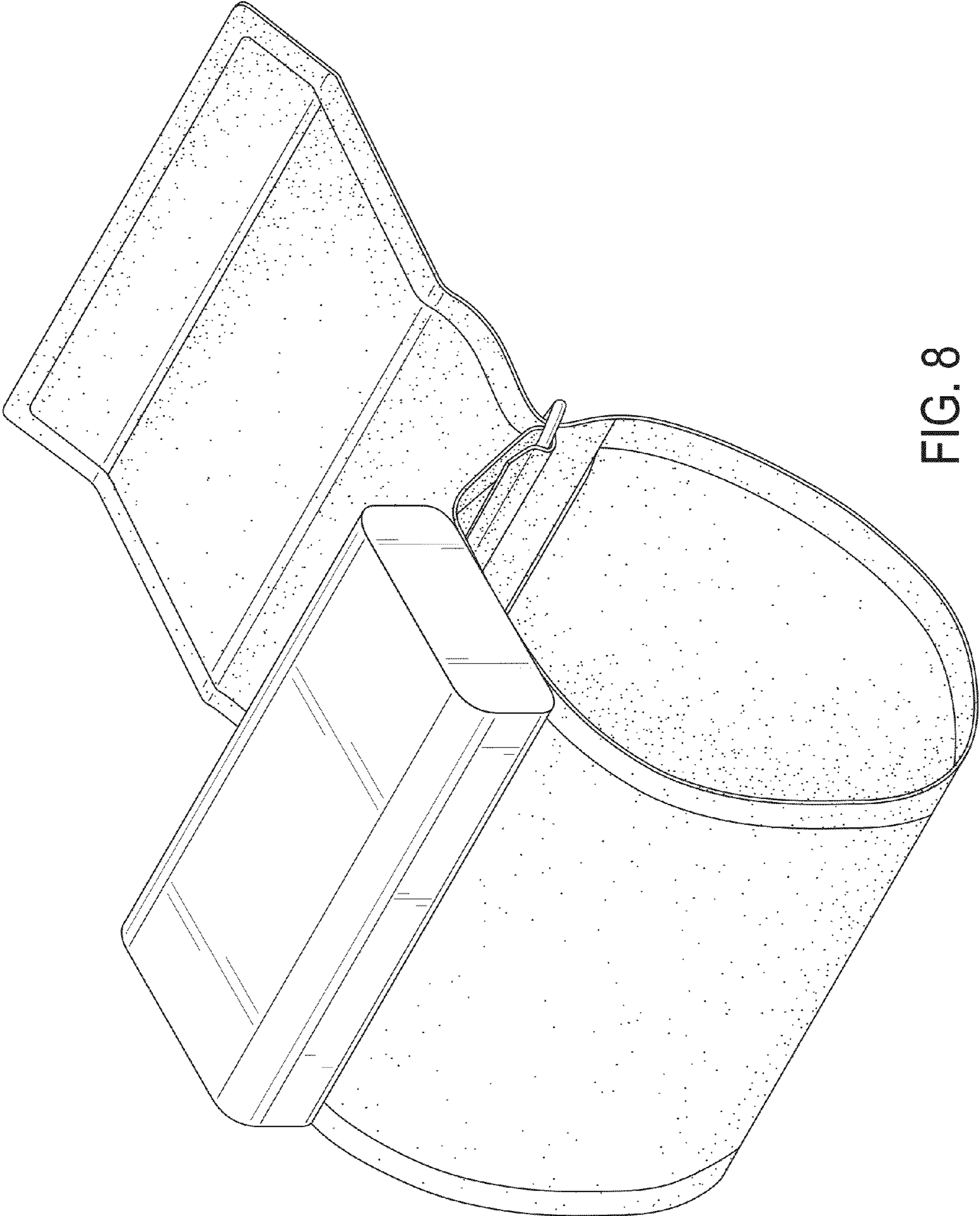


FIG. 8

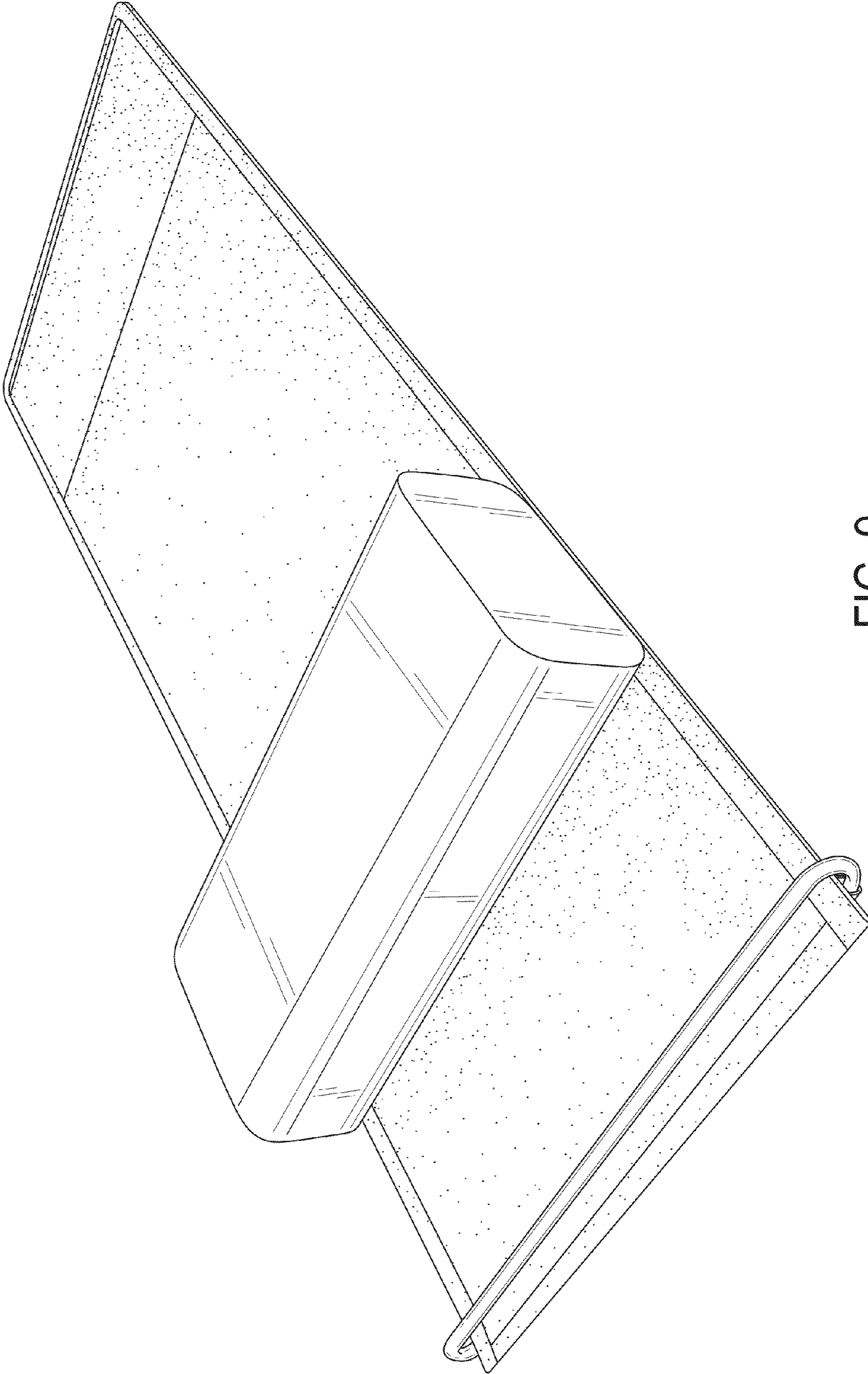


FIG. 9