



US00D719652S

(12) **United States Design Patent**
Swift

(10) **Patent No.:** **US D719,652 S**

(45) **Date of Patent:** **** Dec. 16, 2014**

(54) **ANAL SPECULUM WITH INTRODUCER AND BUILT-IN DISPOSABLE LIGHT SOURCE**

(71) Applicant: **OBP Medical Corporation**, Lawrence, MA (US)

(72) Inventor: **Jeffrey Ralph Swift**, Andover, MA (US)

(73) Assignee: **OBP Medical Corporation**, Lawrence, MA (US)

(**) Term: **14 Years**

(21) Appl. No.: **29/446,714**

(22) Filed: **Feb. 27, 2013**

(51) **LOC (10) Cl.** **24-02**

(52) **U.S. Cl.**
USPC **D24/135**

(58) **Field of Classification Search**
CPC A61B 1/32; A61B 17/4241
USPC D24/135, 133, 143; 600/184, 201, 600/220-223, 235; 606/191-200
See application file for complete search history.

(56) **References Cited**

U.S. PATENT DOCUMENTS

5,716,329 A * 2/1998 Dieter 600/210
6,142,933 A * 11/2000 Longo et al. 600/184
7,029,438 B2 * 4/2006 Morin et al. 600/184

D564,657 S * 3/2008 Tsai D24/135
7,452,329 B2 * 11/2008 Bastia et al. 600/184
7,611,458 B2 * 11/2009 Sias 600/136
D612,046 S * 3/2010 Tsai D24/135
D660,426 S * 5/2012 Hermle D24/138
D672,463 S * 12/2012 Saad et al. D24/138
8,585,719 B2 * 11/2013 Chen et al. 606/148
2006/0256575 A1 * 11/2006 Vayser 362/573
2007/0043264 A1 * 2/2007 Gillis et al. 600/184
2008/0275301 A1 * 11/2008 Lubowski et al. 600/130

* cited by examiner

Primary Examiner — Bridget L Eland

(74) *Attorney, Agent, or Firm* — CKC & Partners Co., Ltd.

(57) **CLAIM**

The ornamental design for an anal speculum with introducer and built-in disposable light source, as shown and described.

DESCRIPTION

FIG. 1 is a perspective view of a anal speculum with introducer and built-in disposable light source showing my new design;

FIG. 2 is a front view thereof;

FIG. 3 is a rear view thereof;

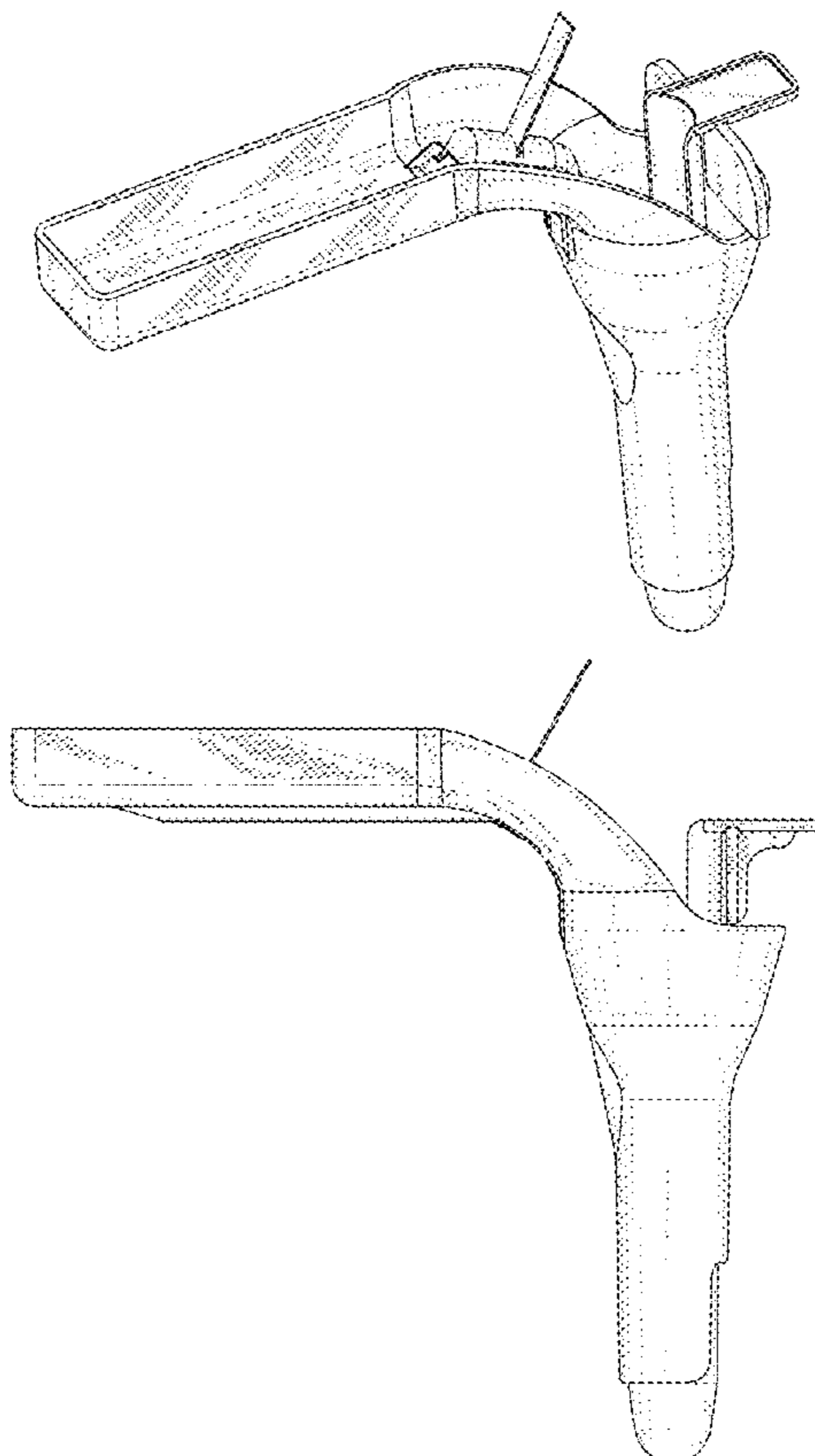
FIG. 4 is a left side view thereof;

FIG. 5 is a right side view thereof;

FIG. 6 is a top view thereof; and,

FIG. 7 is a bottom view thereof.

1 Claim, 7 Drawing Sheets



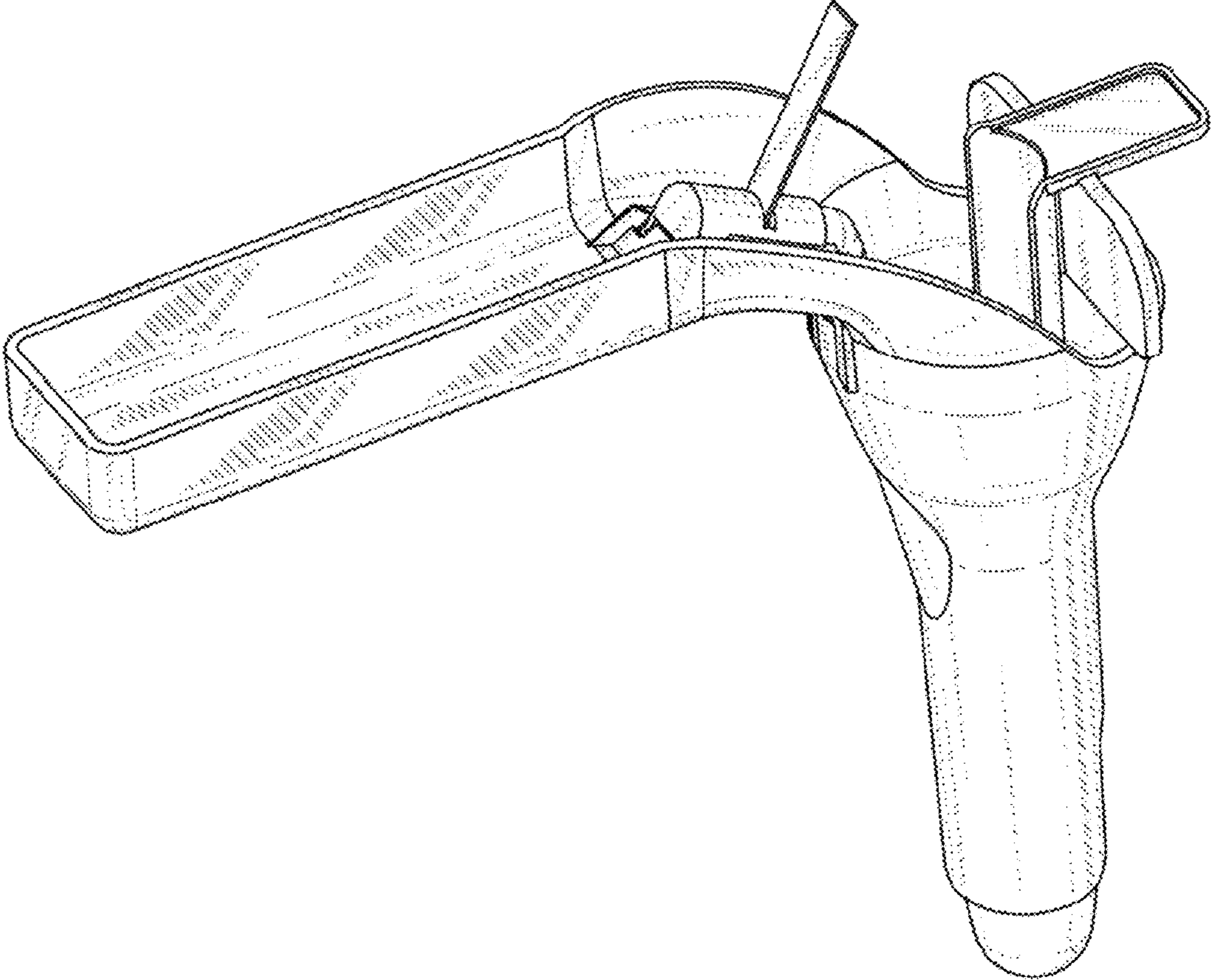


FIG. 1

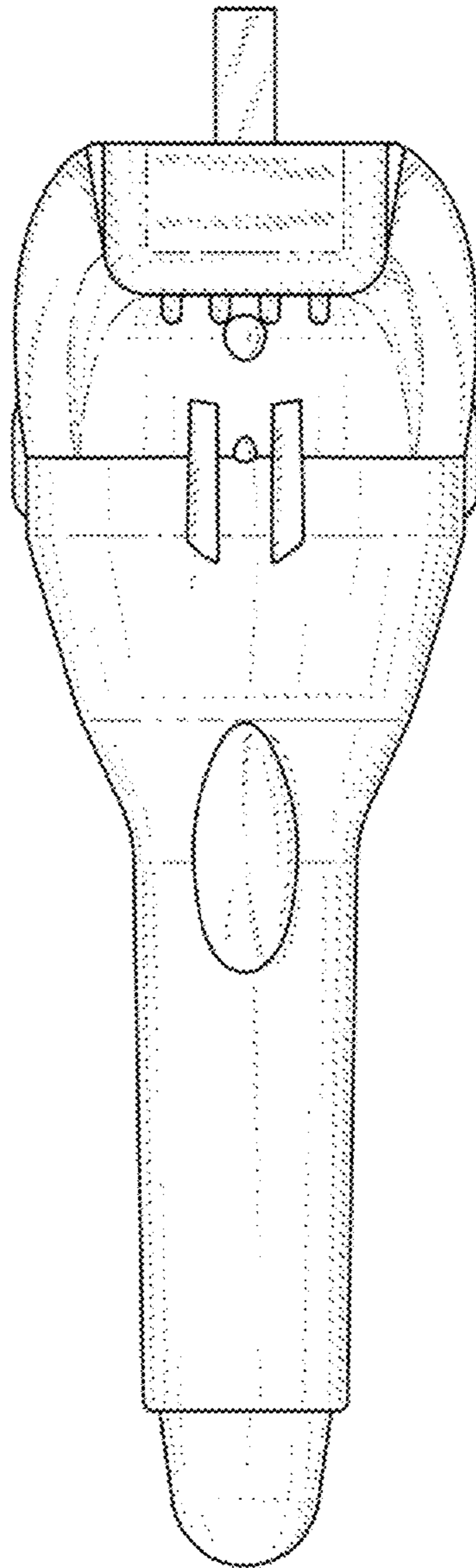


FIG. 2

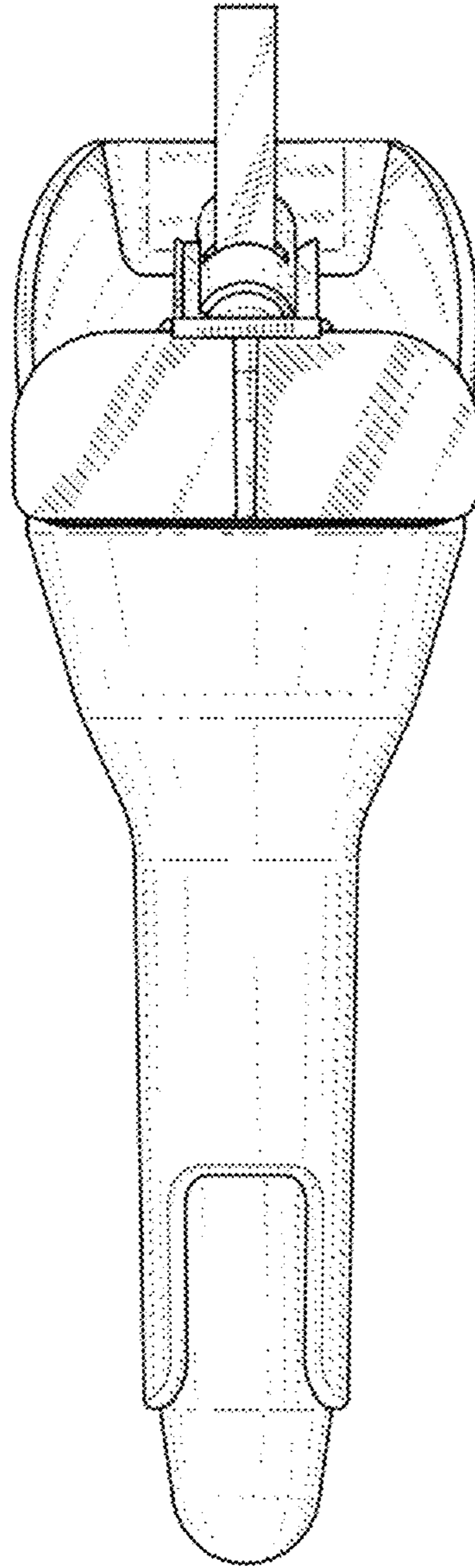


FIG. 3

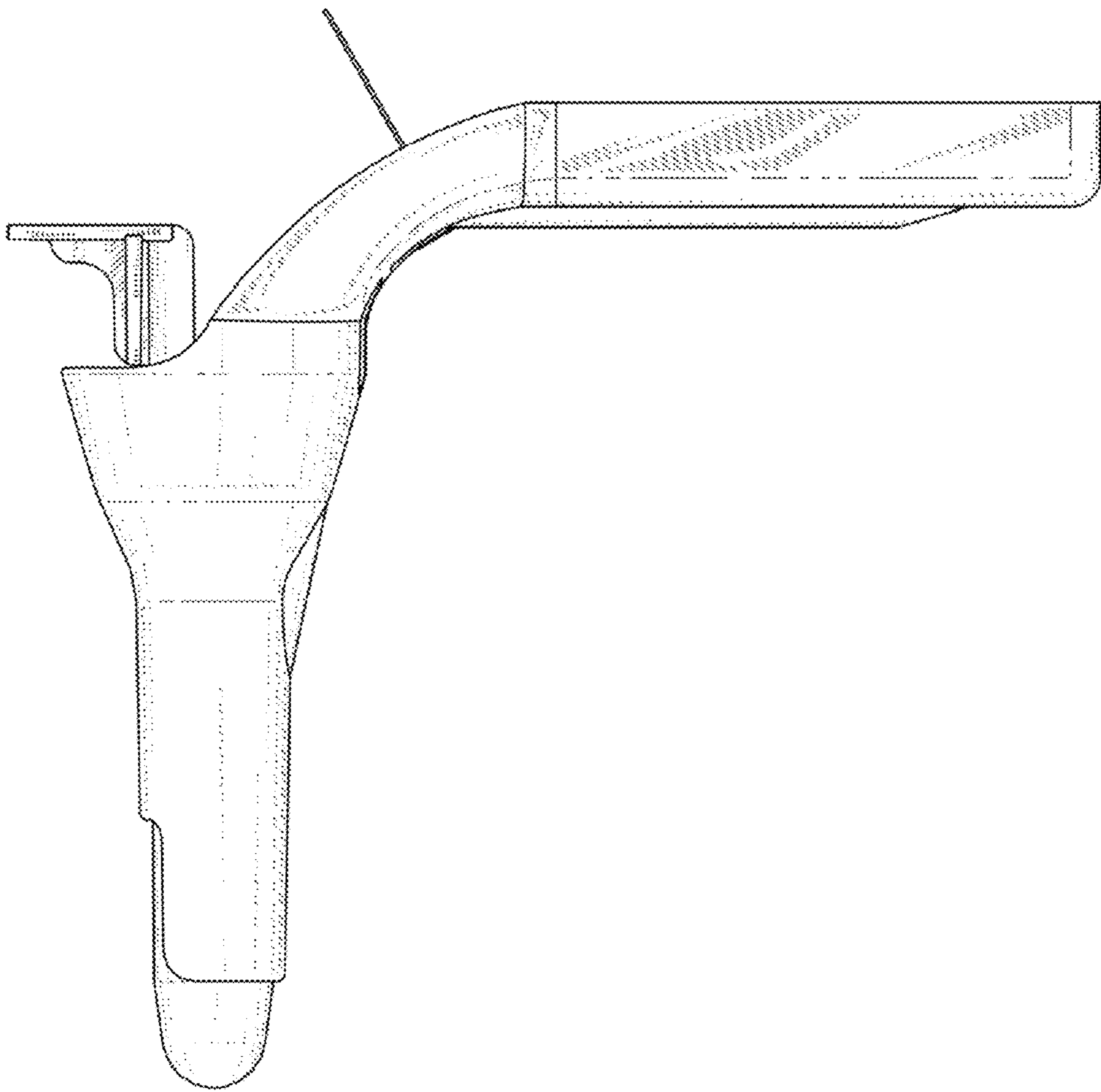


FIG. 4

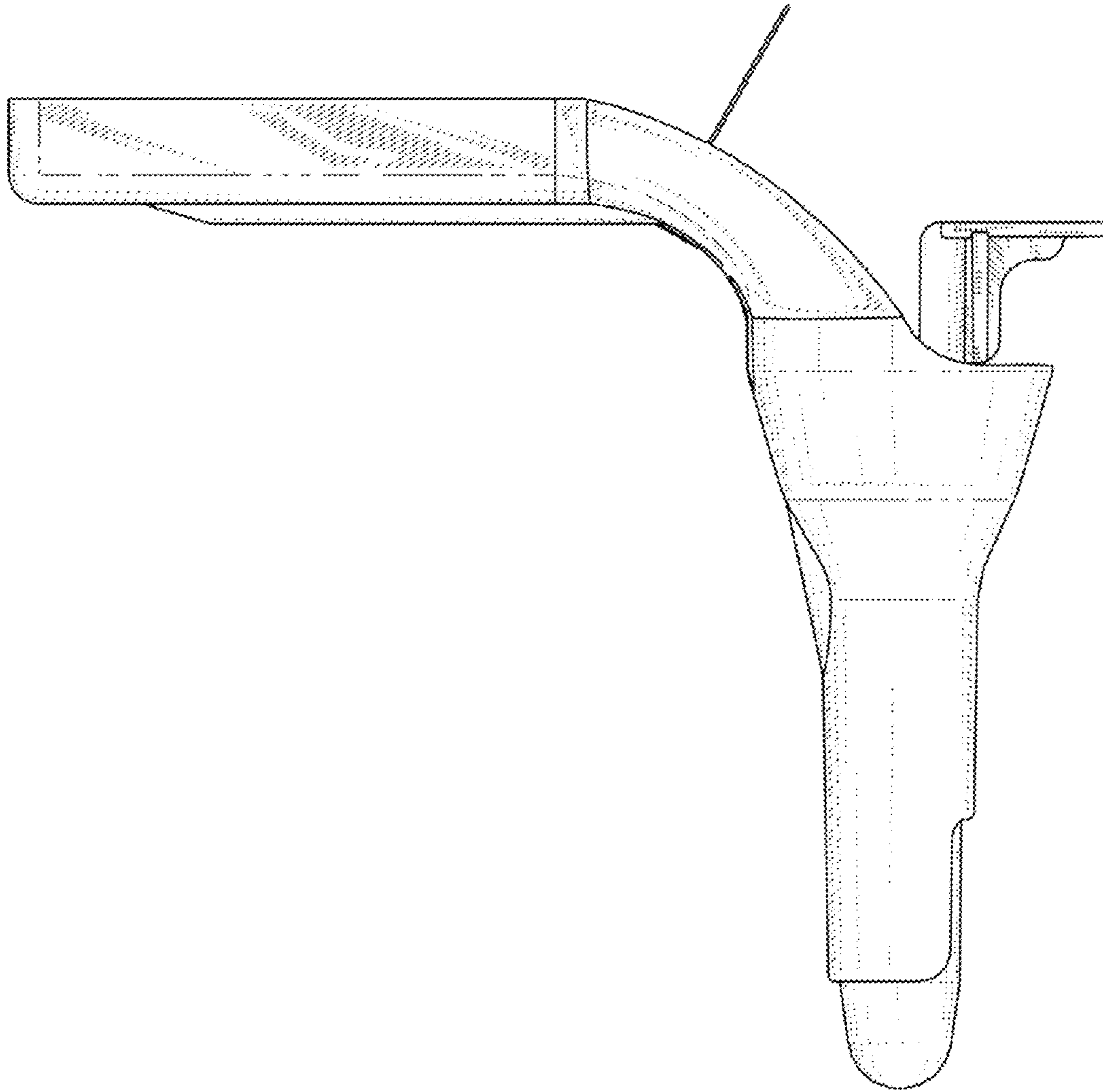


FIG. 5

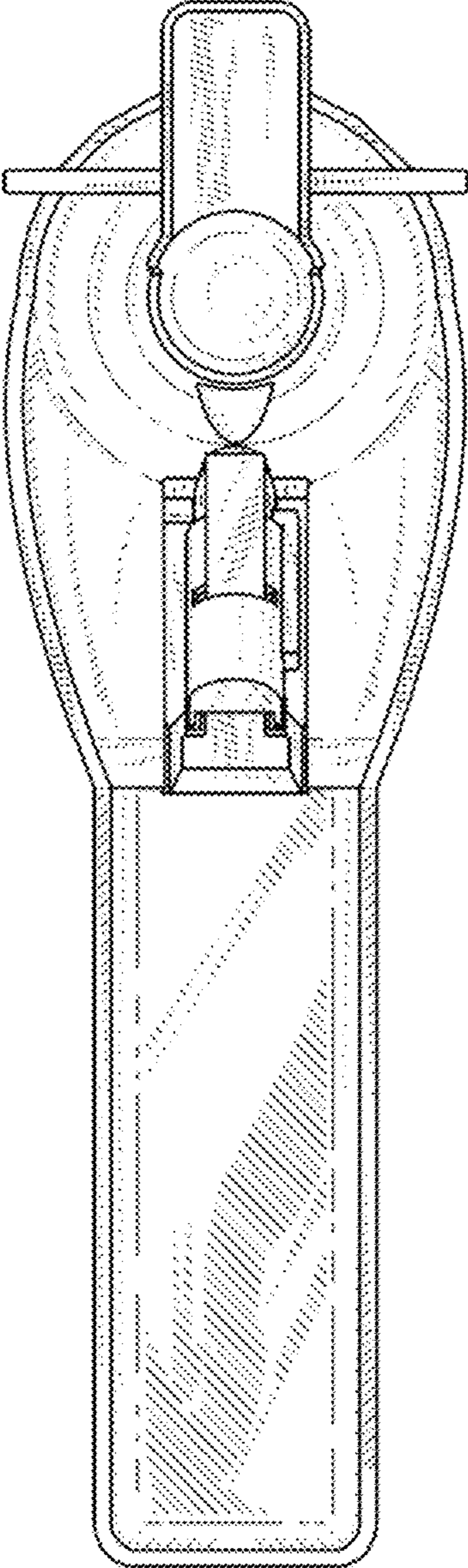


FIG. 6

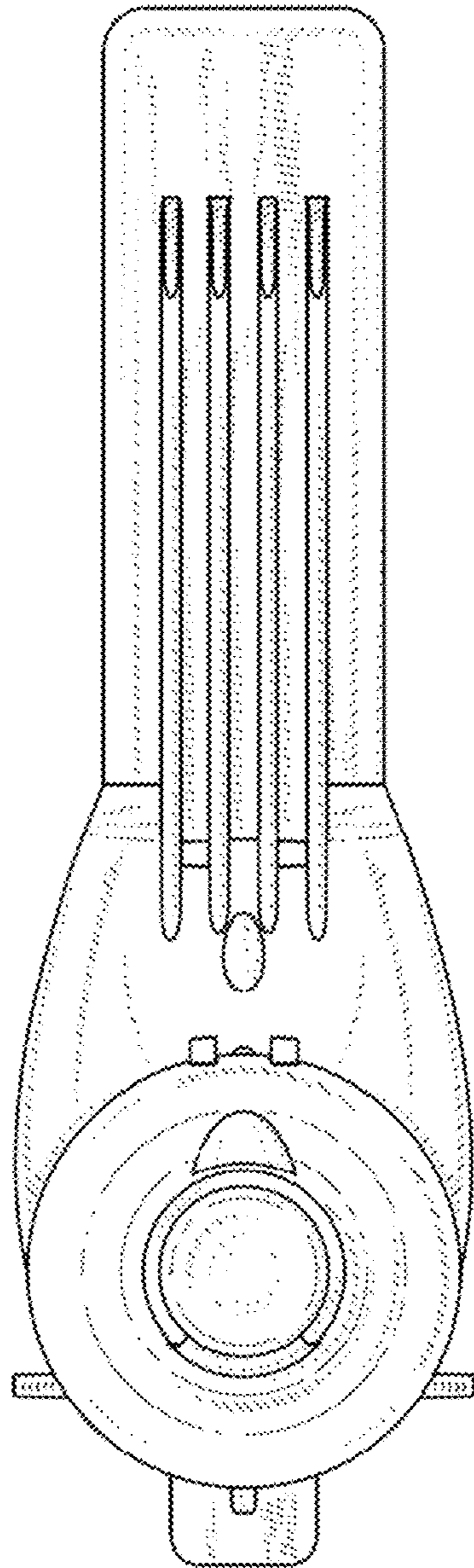


FIG. 7