



US00D719651S

(12) **United States Design Patent**  
**Hoffmann et al.**

(10) **Patent No.:** **US D719,651 S**

(45) **Date of Patent:** **\*\* Dec. 16, 2014**

(54) **HANDLE FOR A MEDICAL DEVICE**

(56) **References Cited**

(71) Applicant: **Ambu A/S**, Ballerup (DK)

U.S. PATENT DOCUMENTS

(72) Inventors: **Peer Hoffmann**, Stenloese (DK); **Hans Henrik Iuel**, Soroe (DK)

D238,100 S *	12/1975	Pulos .....	D24/137
D343,453 S *	1/1994	Noda .....	D24/133
D483,475 S *	12/2003	Kirwan et al. ....	D24/108
D495,052 S *	8/2004	Reschke .....	D24/144
D546,448 S *	7/2007	Oi et al. ....	D24/138
D578,216 S *	10/2008	Dorn et al. ....	D24/133
D588,696 S *	3/2009	Mantle et al. ....	D24/144
D595,410 S *	6/2009	Luzon .....	D24/146
D630,728 S *	1/2011	Dombrowski et al. ....	D24/111
D640,374 S *	6/2011	Liu et al. ....	D24/133
D650,480 S *	12/2011	Scholly .....	D24/138
2009/0157094 A1 *	6/2009	Yeshurun et al. ....	606/131
2013/0131720 A1 *	5/2013	Quintero et al. ....	606/213

(73) Assignee: **Ambu A/S**, Ballerup (DK)

(\*\*) Term: **14 Years**

(21) Appl. No.: **29/448,153**

(22) Filed: **Mar. 11, 2013**

\* cited by examiner

(30) **Foreign Application Priority Data**

Jan. 4, 2013 (EM) ..... 002161778

*Primary Examiner* — Bridget L Eland

(51) **LOC (10) Cl.** ..... **24-02**

(74) *Attorney, Agent, or Firm* — Harness, Dickey & Pierce, P.L.C.

(52) **U.S. Cl.**  
USPC ..... **D24/133**

(57) **CLAIM**

The ornamental design for a handle for a medical device, as shown and described.

(58) **Field of Classification Search**

CPC .. A61B 17/00; A61B 18/00; A61B 17/00491;  
A61B 1/00105; A61B 1/0052; A61B 1/0058;  
A61B 1/00052; A61B 1/00066; A61B  
17/06109; A61B 17/8819; A61B 17/8825;  
A61M 37/04

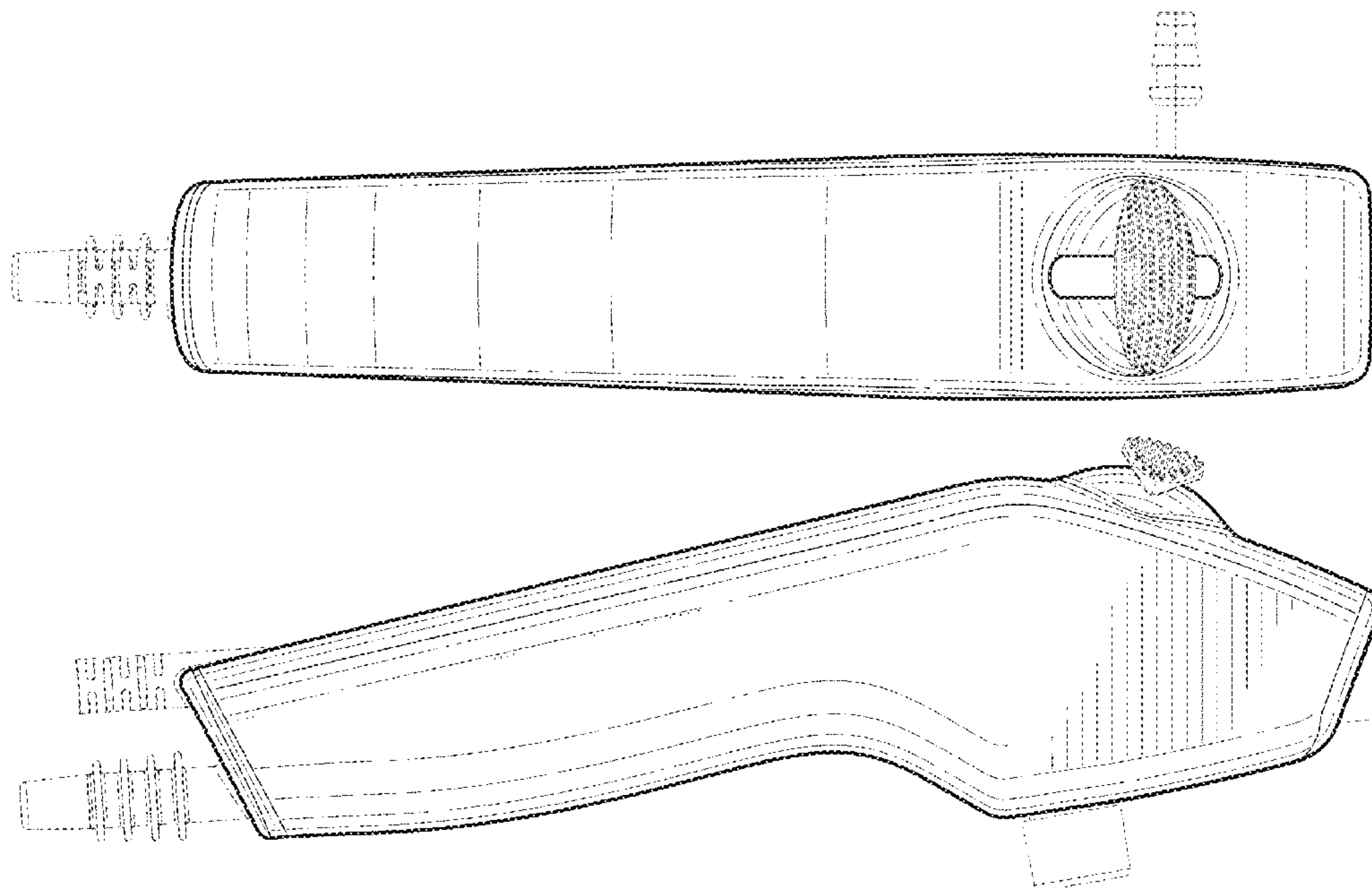
USPC ..... D24/133, 137, 138, 143, 144, 145, 146,  
D24/147, 148, 149; 606/1, 80, 85, 130, 139,  
606/148, 167, 169, 170, 171, 174, 175, 176,  
606/180, 205, 206; 604/22, 27; 600/104,  
600/153, 154, 564

**DESCRIPTION**

FIG. 1 is perspective view of a handle for a medical device showing our new design;  
FIG. 2 is a left side view thereof;  
FIG. 3 is a top view thereof;  
FIG. 4 is a right side view thereof;  
FIG. 5 is a bottom view thereof  
FIG. 6 is a front view thereof; and,  
FIG. 7 is a rear view thereof.  
The broken lines which define the bounds of the claimed design form no part thereof.

See application file for complete search history.

**1 Claim, 6 Drawing Sheets**



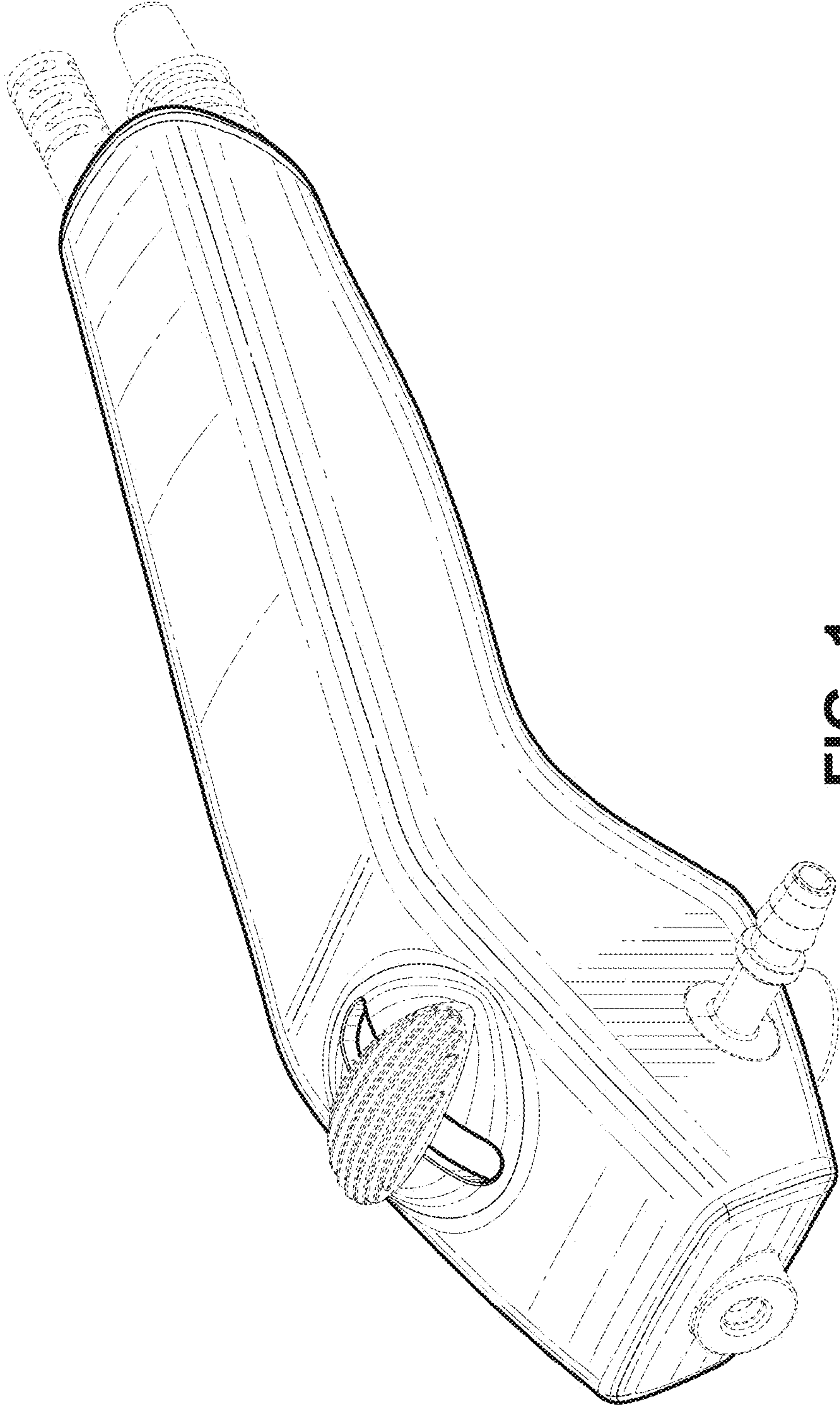


FIG. 1

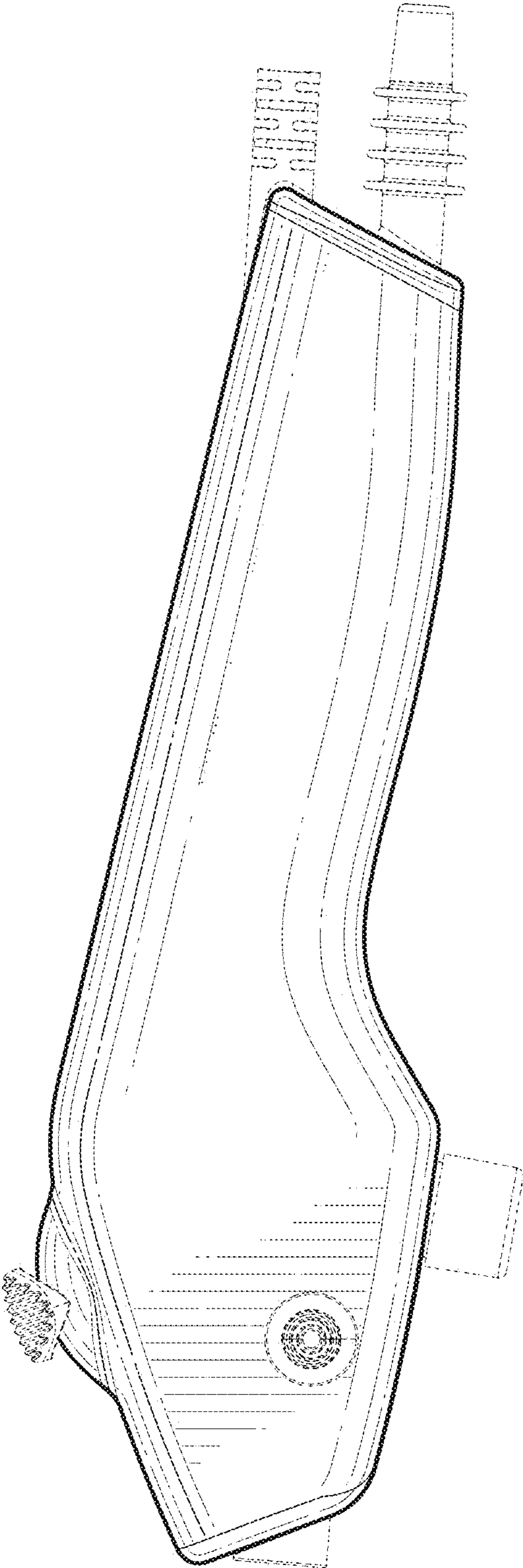


FIG. 2

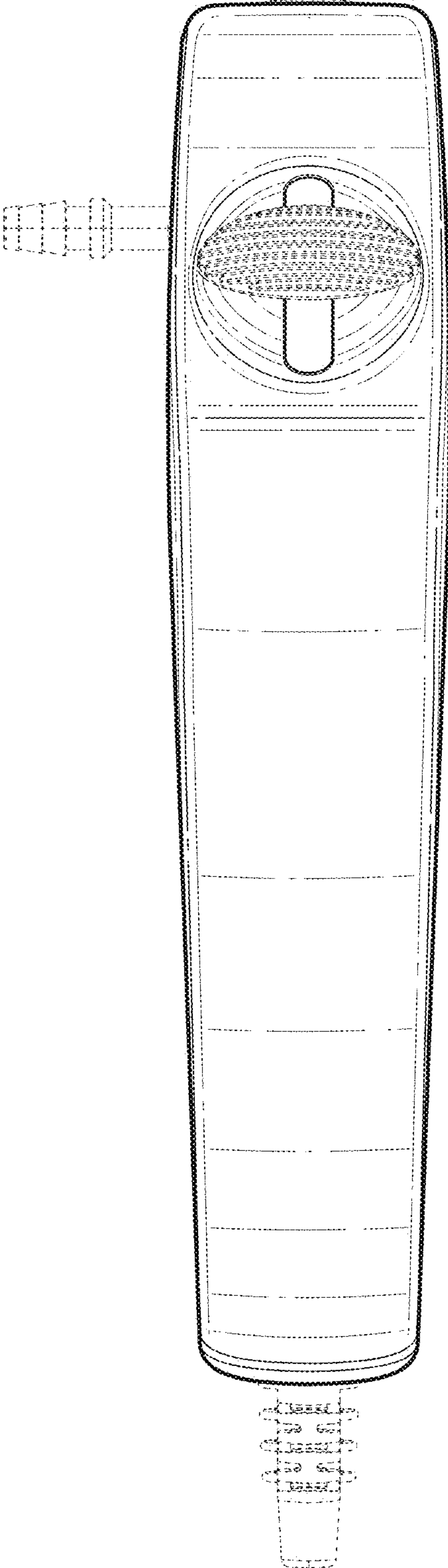


FIG. 3



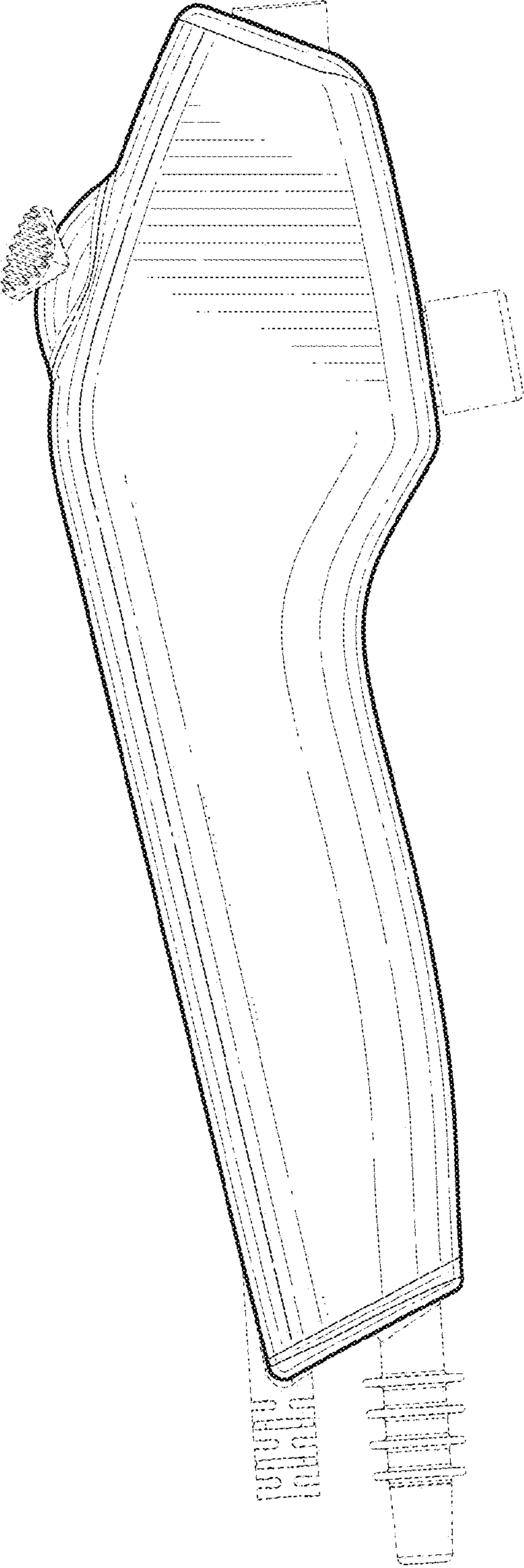


FIG. 4

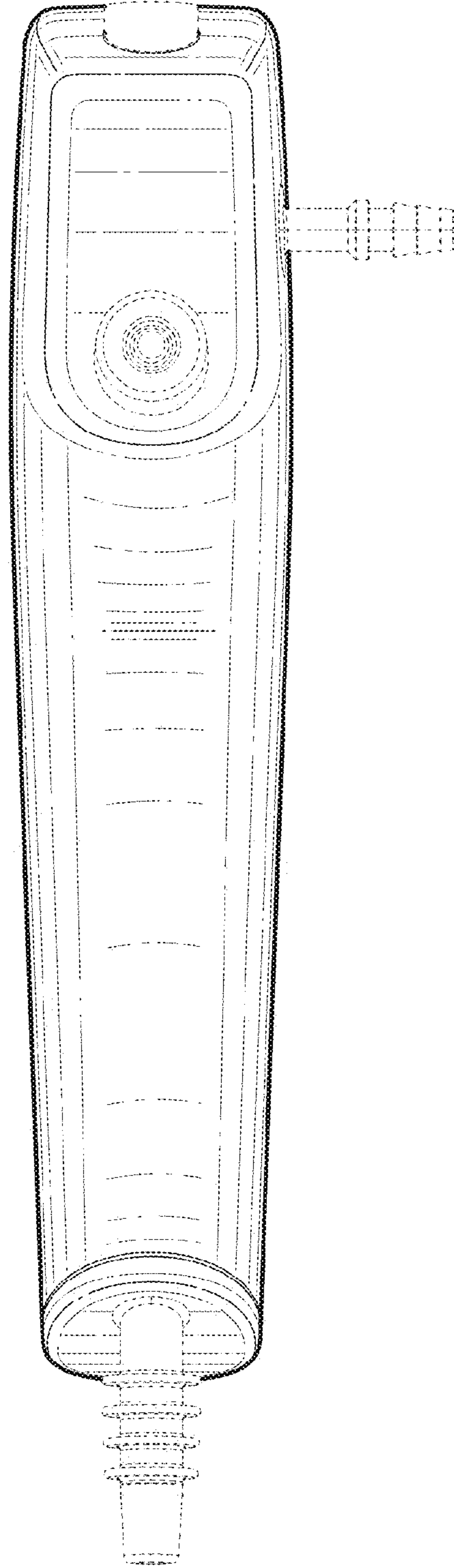


FIG. 5

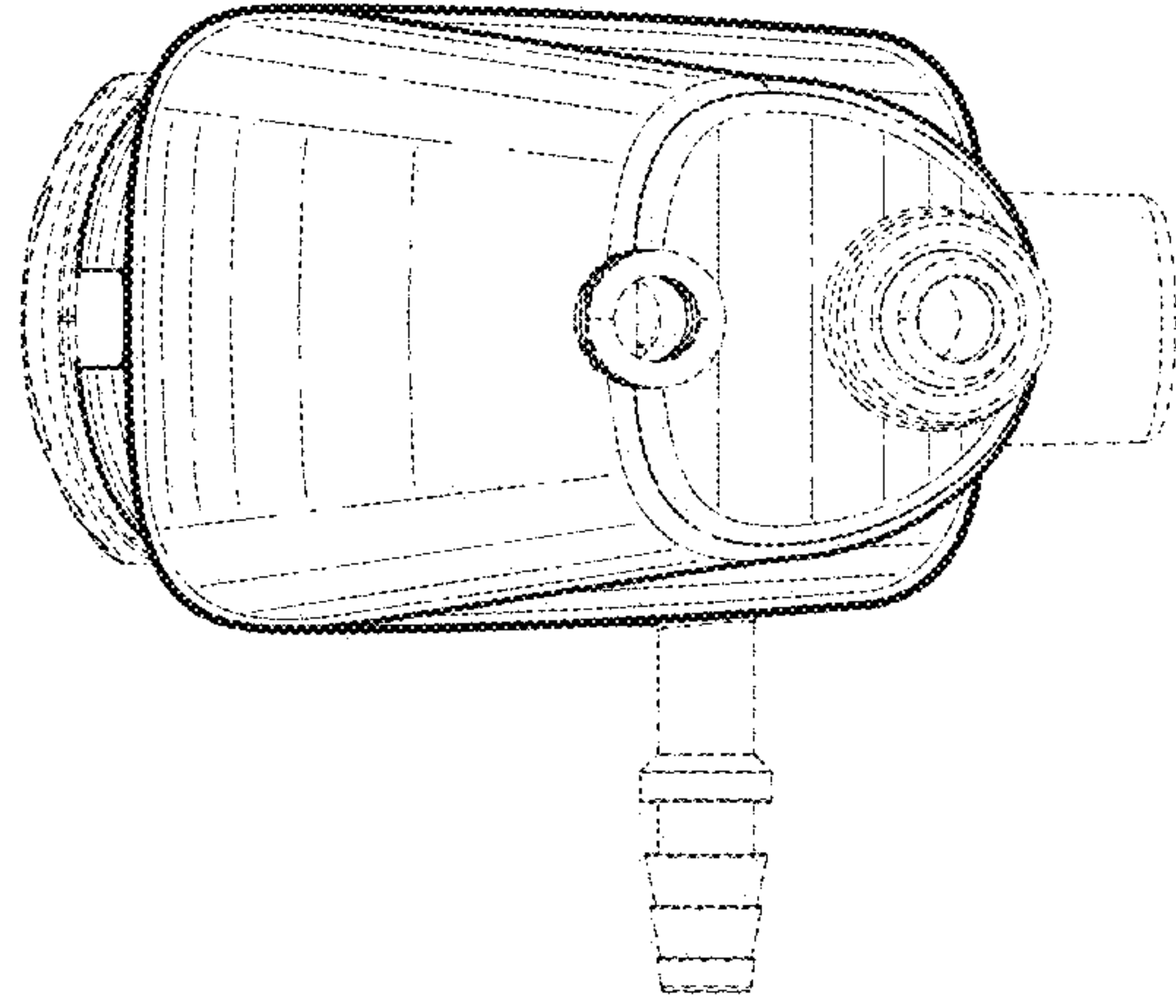


FIG. 7

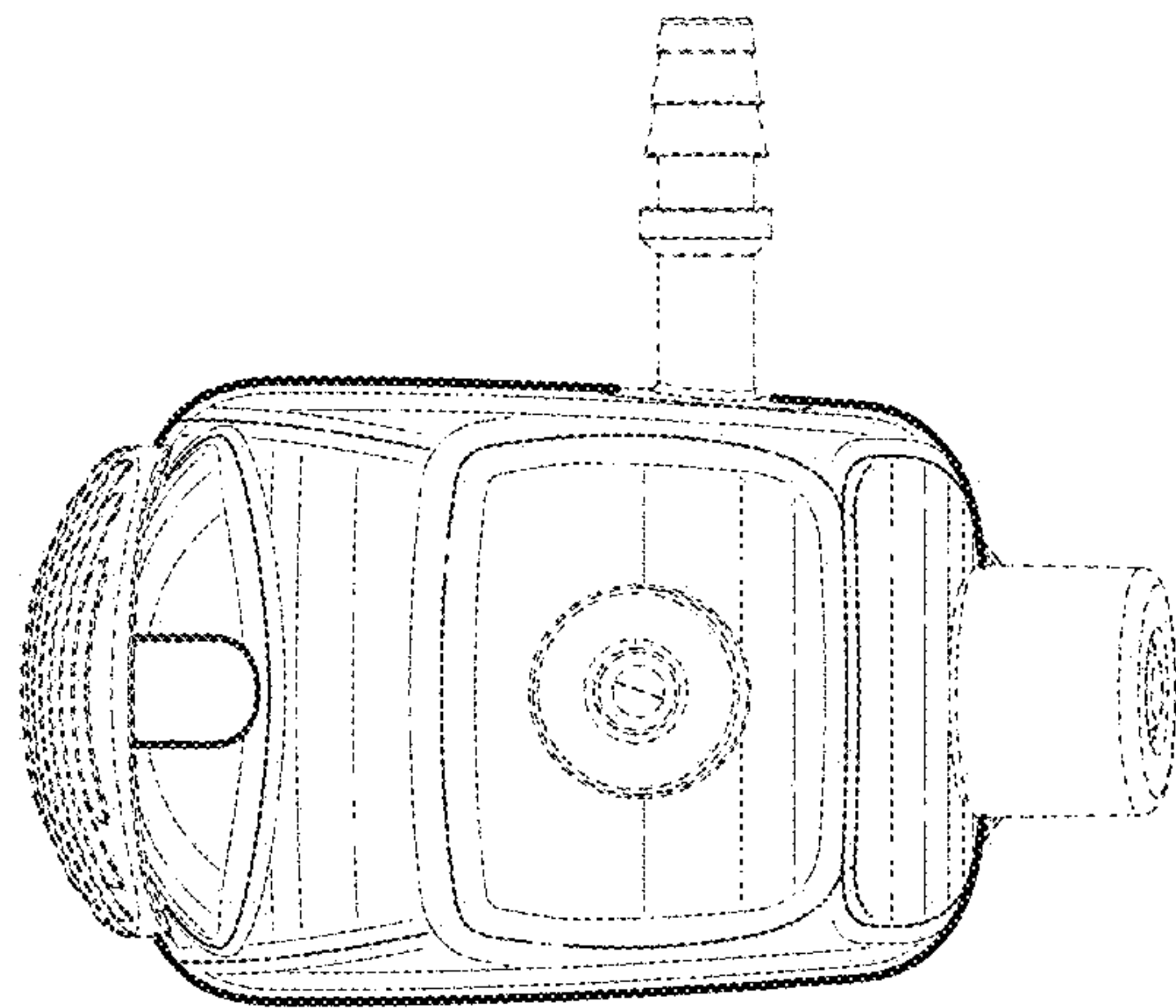


FIG. 6