



US00D719650S

(12) **United States Design Patent**
Arinobe et al.

(10) **Patent No.:** **US D719,650 S**
(45) **Date of Patent:** **** Dec. 16, 2014**

(54) **MEDICAL SYRINGE**
(71) Applicant: **Terumo Kabushiki Kaisha**, Tokyo (JP)
(72) Inventors: **Manabu Arinobe**, Kanagawa (JP);
Masaomi Imai, Kanagawa (JP); **Ruriko Iibuchi**, Kanagawa (JP); **Hideki Katsura**, Tokyo (JP)

7,261,703 B2 * 8/2007 Lampropoulos et al. 604/168.01
7,682,344 B2 * 3/2010 Barrelle 604/198
D618,347 S * 6/2010 Bradshaw D24/141
D677,382 S 3/2013 Foley et al.
D678,514 S 3/2013 Foley et al.
D692,308 S * 10/2013 Baker D24/114
D699,342 S * 2/2014 Suzuki D24/114

(73) Assignee: **Terumo Kabushiki Kaisha**, Tokyo (JP)

(**) Term: **14 Years**

(21) Appl. No.: **29/477,729**

(22) Filed: **Dec. 26, 2013**

(30) **Foreign Application Priority Data**

Oct. 2, 2013 (JP) 2013-023093

(51) **LOC (10) Cl.** **24-02**

(52) **U.S. Cl.**
USPC **D24/130**

(58) **Field of Classification Search**
USPC D24/112-114, 129, 130, 127, 133, 186,
D24/108; 606/181, 185; 604/264, 500, 506,
604/272, 115, 164.01-164.09, 533, 232,
604/187, 168.01, 192, 19, 48, 93.01, 523,
604/524, 526; 600/101, 139, 143;
128/200.24, 207.14, 207.15

See application file for complete search history.

(56) **References Cited**

U.S. PATENT DOCUMENTS

D376,423 S * 12/1996 Monea D24/114
D395,502 S * 6/1998 Deily et al. D24/112
D418,222 S * 12/1999 Pellow D24/130
D447,559 S * 9/2001 Jansen et al. D24/114
D463,546 S * 9/2002 Jansen et al. D24/114
D489,819 S * 5/2004 Ford D24/114
D493,827 S * 8/2004 Hasson D24/114
D506,549 S * 6/2005 Woods D24/130

FOREIGN PATENT DOCUMENTS

EM 001820408 A1 11/2011
JP 1288170 S 12/2006
JP 1331048 S 5/2008
JP 1356906 S 4/2009
JP 1428950 S 12/2011
JP 1431934 S 1/2012
JP 1431935 S 1/2012
JP 1432233 S 1/2012
JP 1432234 S 1/2012

(Continued)

Primary Examiner — David Muller

(74) *Attorney, Agent, or Firm* — Rabin & Berdo, P.C.

(57) **CLAIM**

The ornamental design for a medical syringe, as shown and described.

DESCRIPTION

FIG. 1 is a perspective view of a medical syringe showing our new design;

FIG. 2 is a front view thereof;

FIG. 3 is a rear view thereof;

FIG. 4 is a left side view thereof;

FIG. 5 is a right side view thereof;

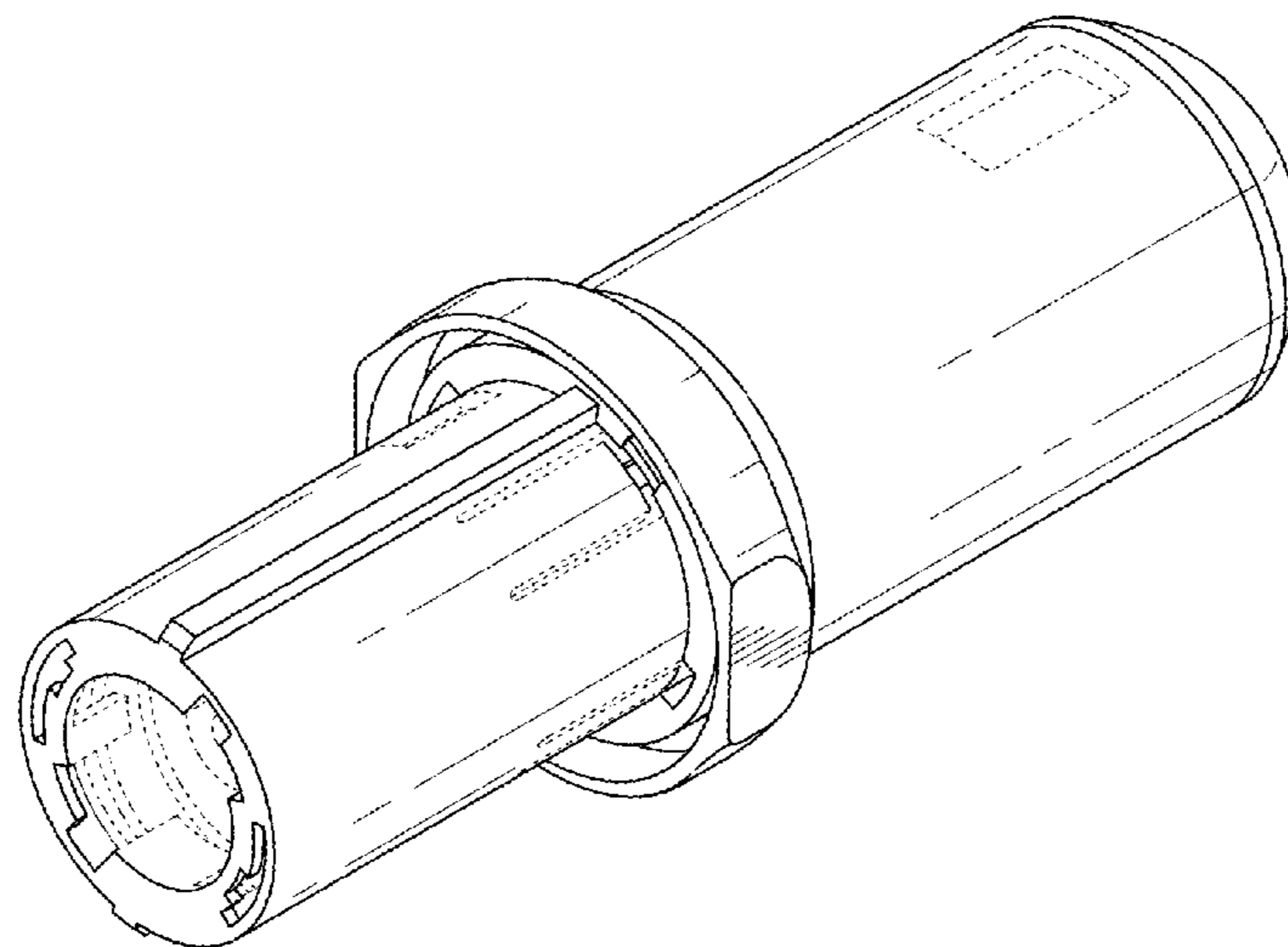
FIG. 6 is a plan view thereof;

FIG. 7 is a bottom view thereof; and,

FIG. 8 is a perspective view of a medical syringe in a retracted state.

The broken line showing of parts of the drawings is included for the purpose of illustrating use and environment and forms no part of the claimed design.

1 Claim, 4 Drawing Sheets



(56)	References Cited	JP	1464595 S	3/2013
		JP	1464598 S	3/2013
		JP	1464599 S	3/2013
	FOREIGN PATENT DOCUMENTS			
JP	1464594 S	3/2013		* cited by examiner

FIG. 1

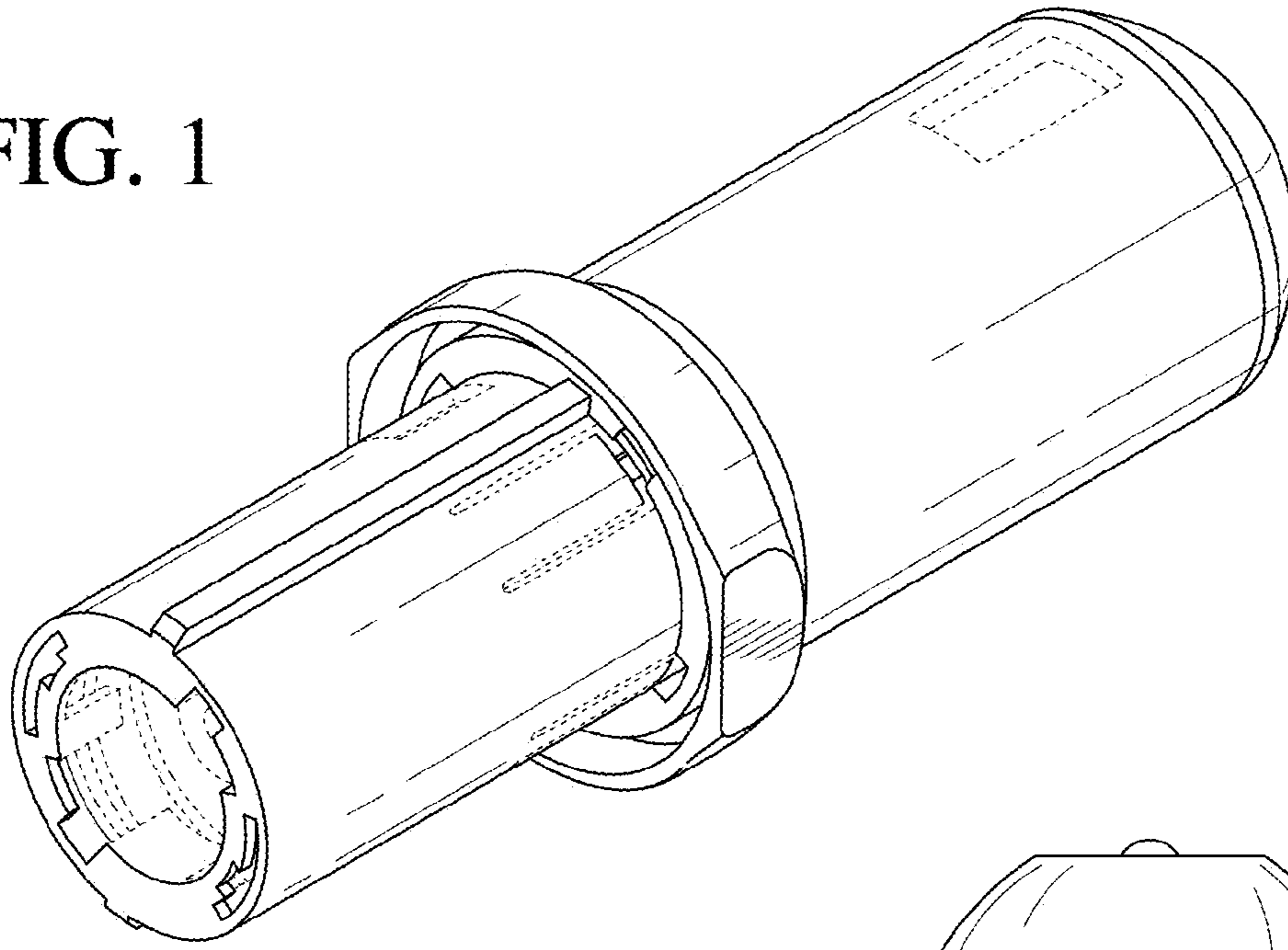
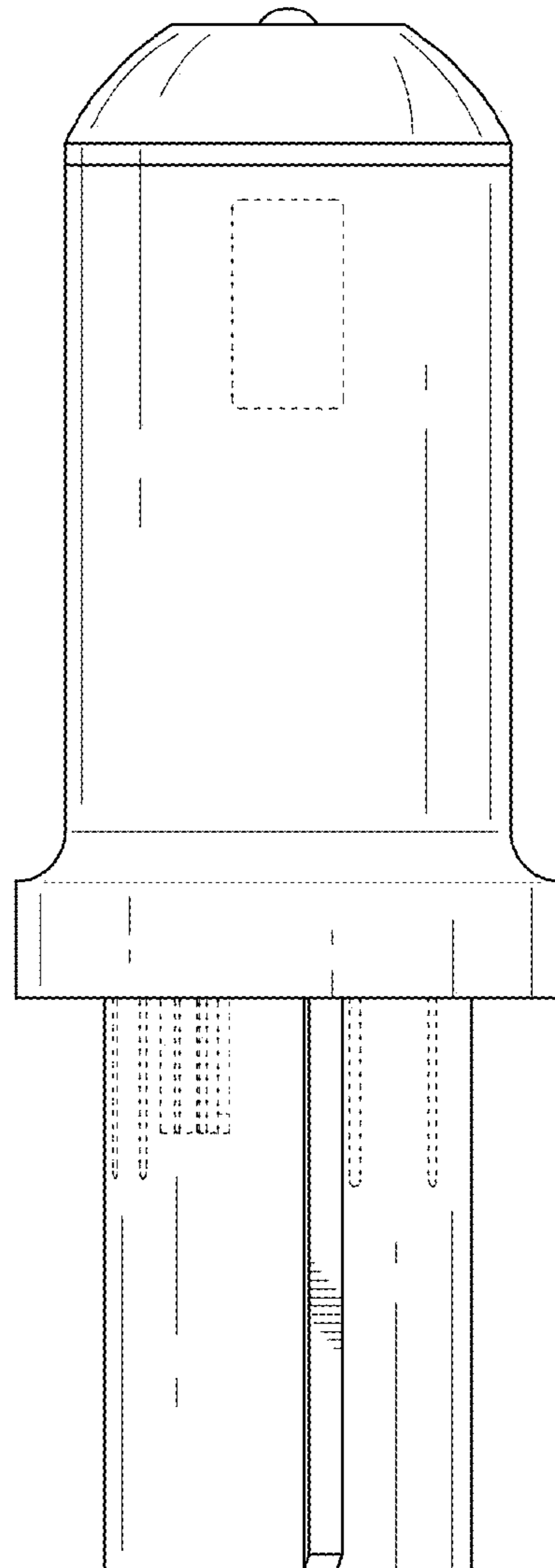


FIG. 2



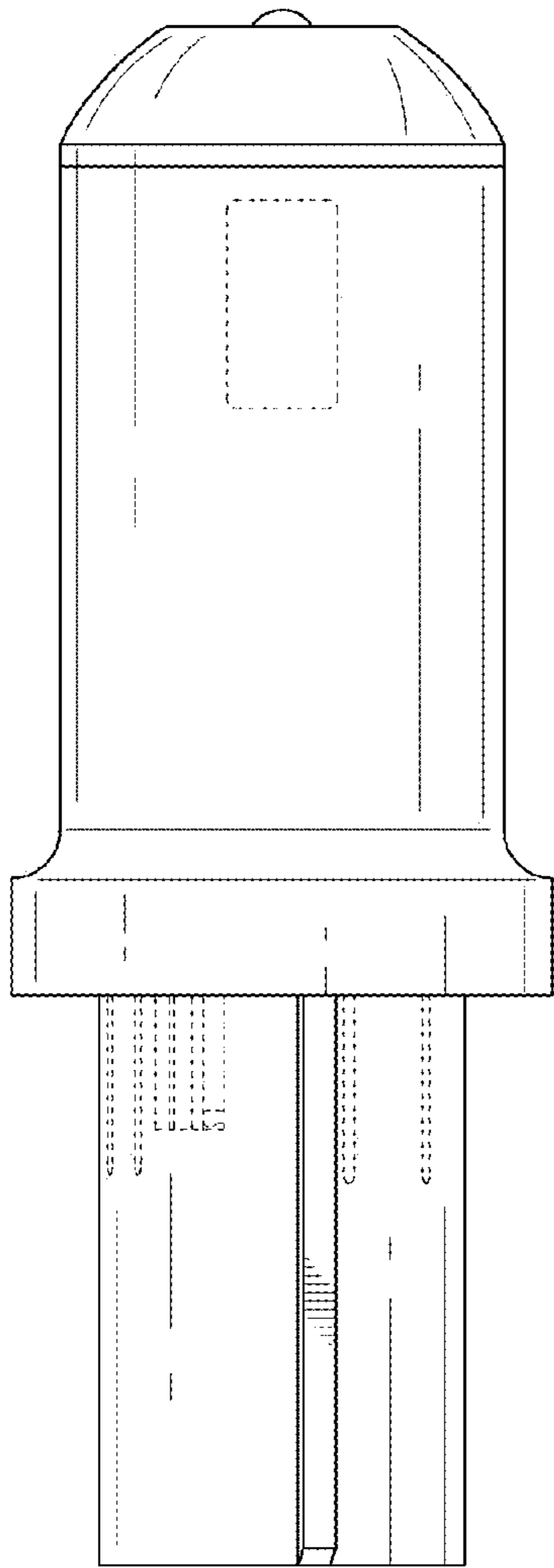


FIG. 3

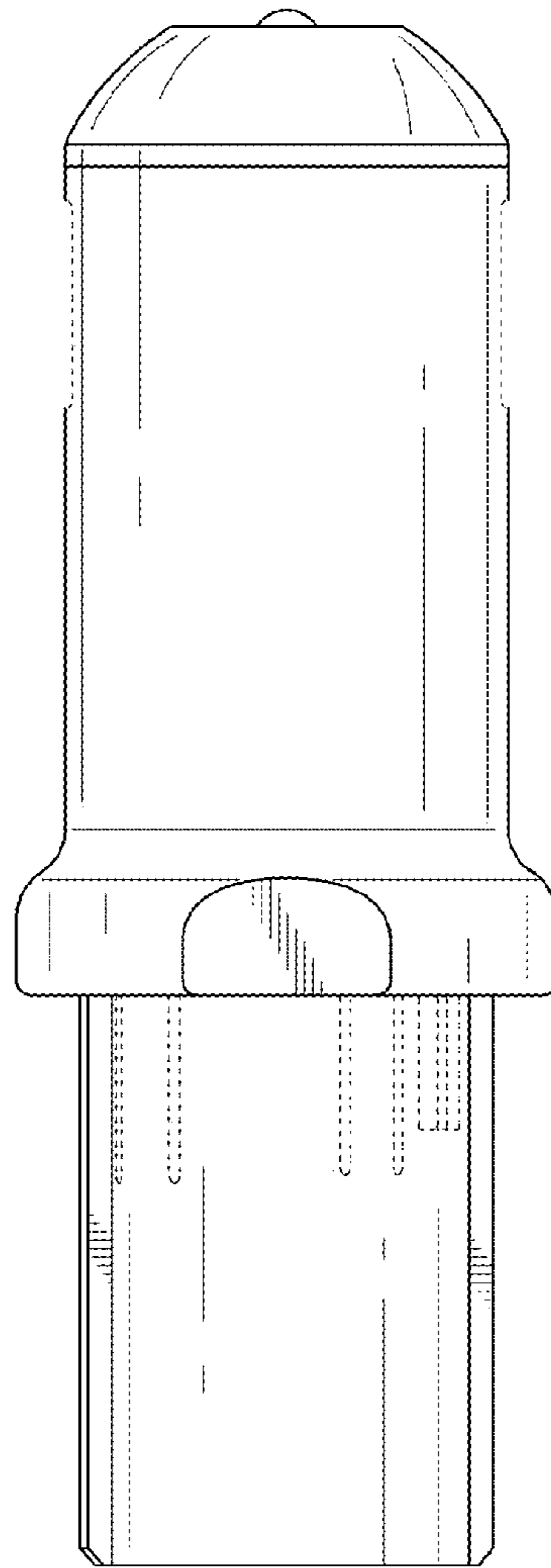


FIG. 4

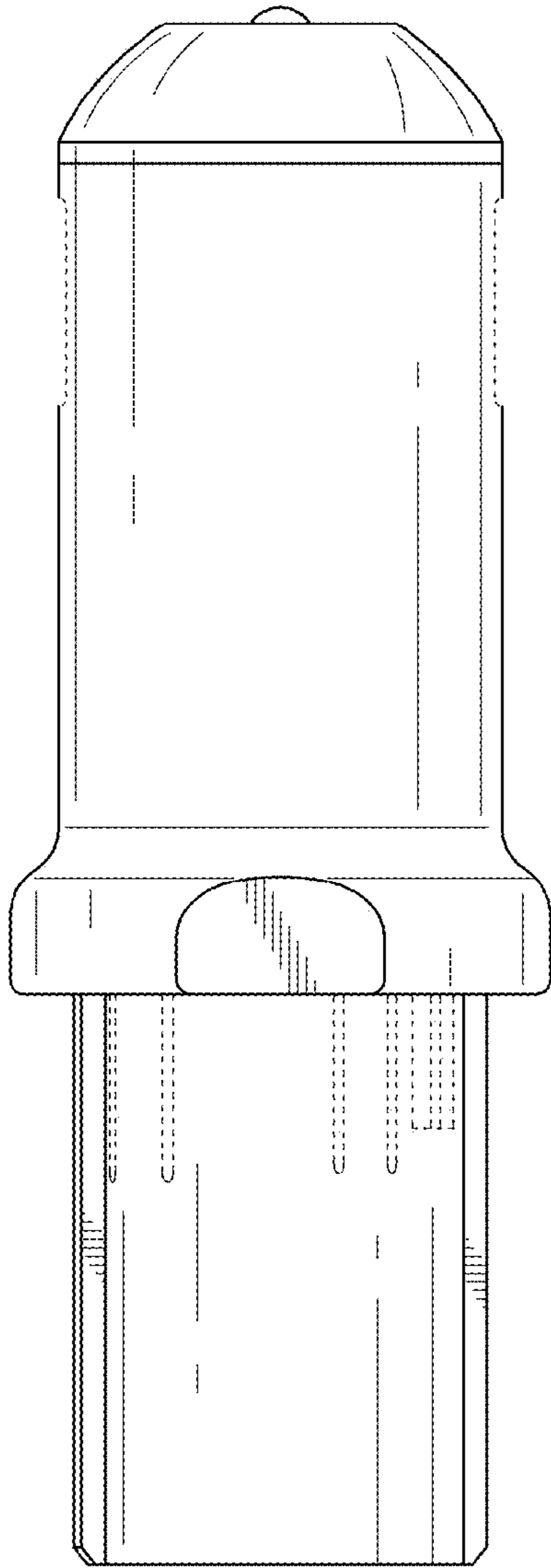


FIG. 5

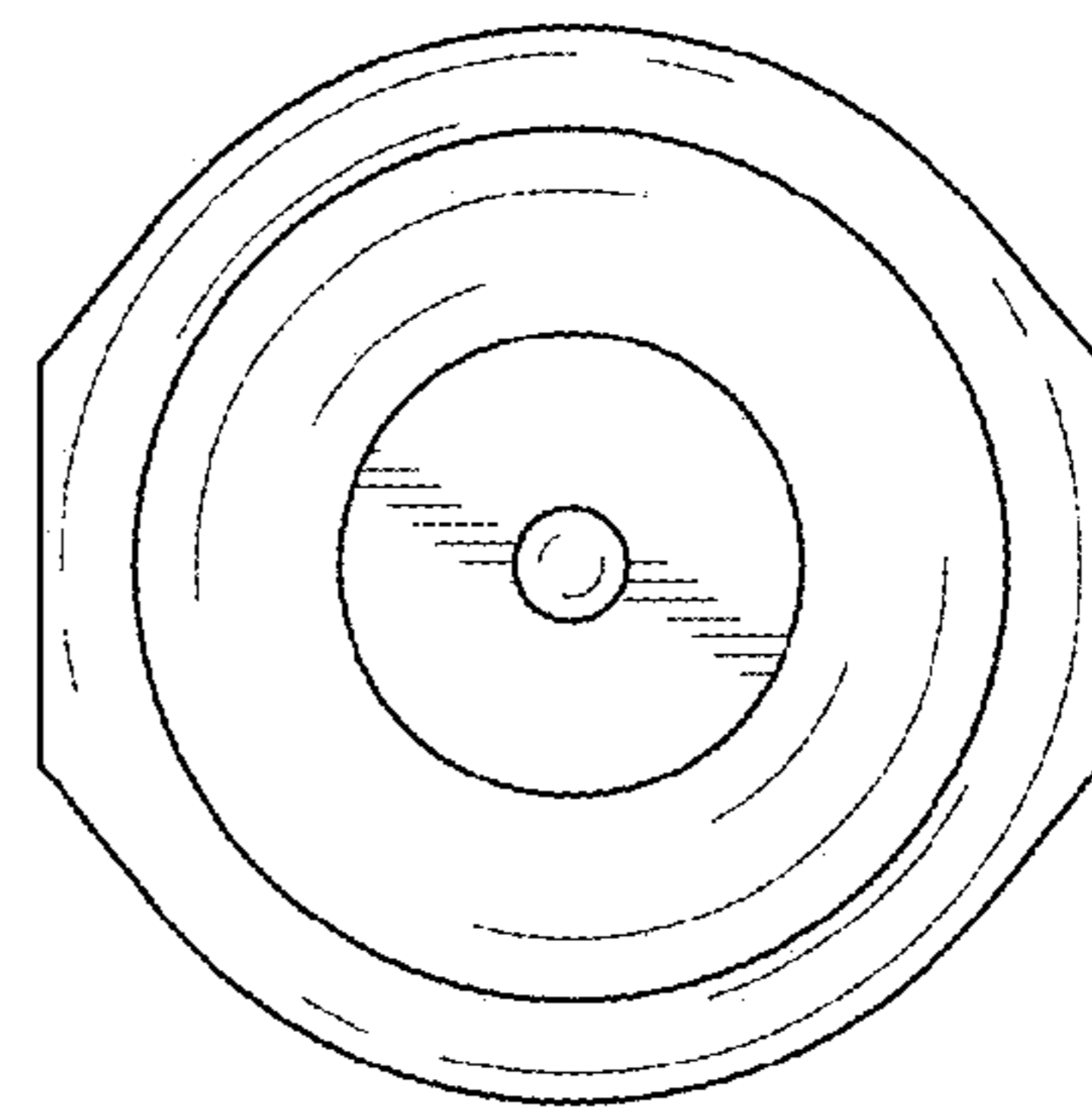


FIG. 6

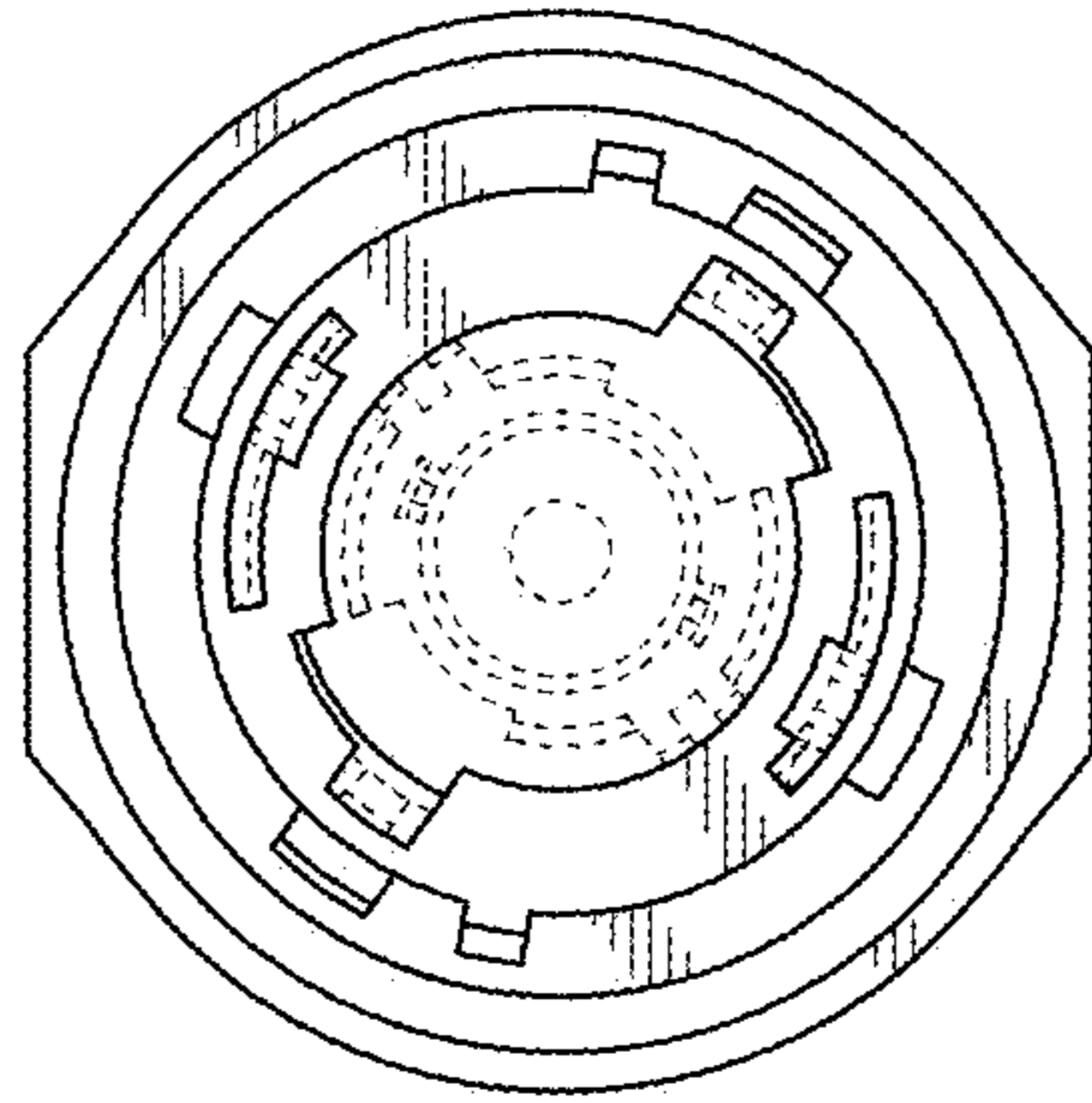


FIG. 7

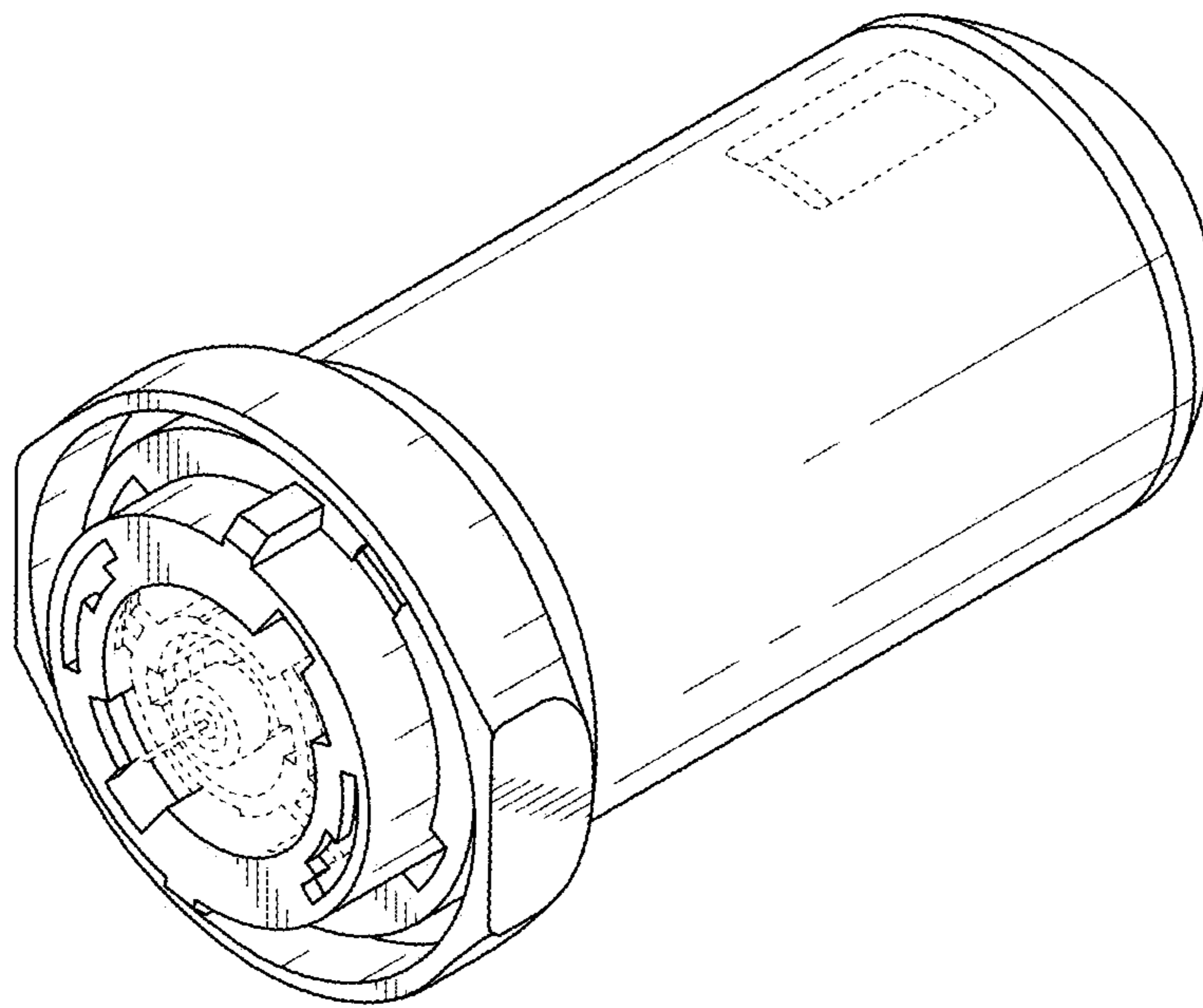


FIG. 8