



US00D719646S

(12) **United States Design Patent**
Melo

(10) **Patent No.:** **US D719,646 S**

(45) **Date of Patent:** **** Dec. 16, 2014**

(54) **HOSE SLEEVE**

(71) Applicant: **Michael Melo**, Pawtucket, RI (US)

(72) Inventor: **Michael Melo**, Pawtucket, RI (US)

(73) Assignee: **Teknor Apex Company**, Pawtucket, RI (US)

(**) Term: **14 Years**

(21) Appl. No.: **29/470,798**

(22) Filed: **Oct. 25, 2013**

(51) **LOC (10) Cl.** **23-01**

(52) **U.S. Cl.**
USPC **D23/266**

(58) **Field of Classification Search**
USPC D23/205, 213, 223, 224, 229, 230, 259,
D23/262, 263, 266; D24/129; D13/155;
138/103, 105, 109, 118, 118.1, 121,
138/122, 126, 128, 140, 154, 155, 157, 158,
138/167, 173, 177; 285/58, 83, 124.1,
285/124.5, 179, 179.1

See application file for complete search history.

(56) **References Cited**

U.S. PATENT DOCUMENTS

4,400,021	A	*	8/1983	Duffield	285/247
D323,207	S	*	1/1992	Cole et al.	D23/266
D359,118	S	*	6/1995	Nates	D24/112
D472,303	S	*	3/2003	Alkalay et al.	D23/223
D538,430	S	*	3/2007	Ohta	D24/146
D568,473	S	*	5/2008	Ashiwa et al.	D24/146
D591,407	S	*	4/2009	Youssef et al.	D23/266
D616,969	S		6/2010	Zore		

D617,416	S	*	6/2010	Chen	D23/223
D623,311	S	*	9/2010	Aulwes et al.	D24/214
D624,161	S		9/2010	Zore		
D629,891	S	*	12/2010	Virr et al.	D24/129
D634,087	S	*	3/2011	SgROI et al.	D32/40
D638,933	S	*	5/2011	Hill et al.	D24/129
D644,714	S	*	9/2011	Mauchle et al.	D23/213
D698,882	S	*	2/2014	Vassallo	D21/771
D702,810	S	*	4/2014	Stednitz	D23/213
D707,334	S	*	6/2014	Hernandez et al.	D23/266
2007/0121332	A1	*	5/2007	Liu	362/459

* cited by examiner

Primary Examiner — Eric Goodman

Assistant Examiner — Daniel J Domino

(74) *Attorney, Agent, or Firm* — LuAnn Cserr; Chace Rutenberg & Freedman LLP

(57) **CLAIM**

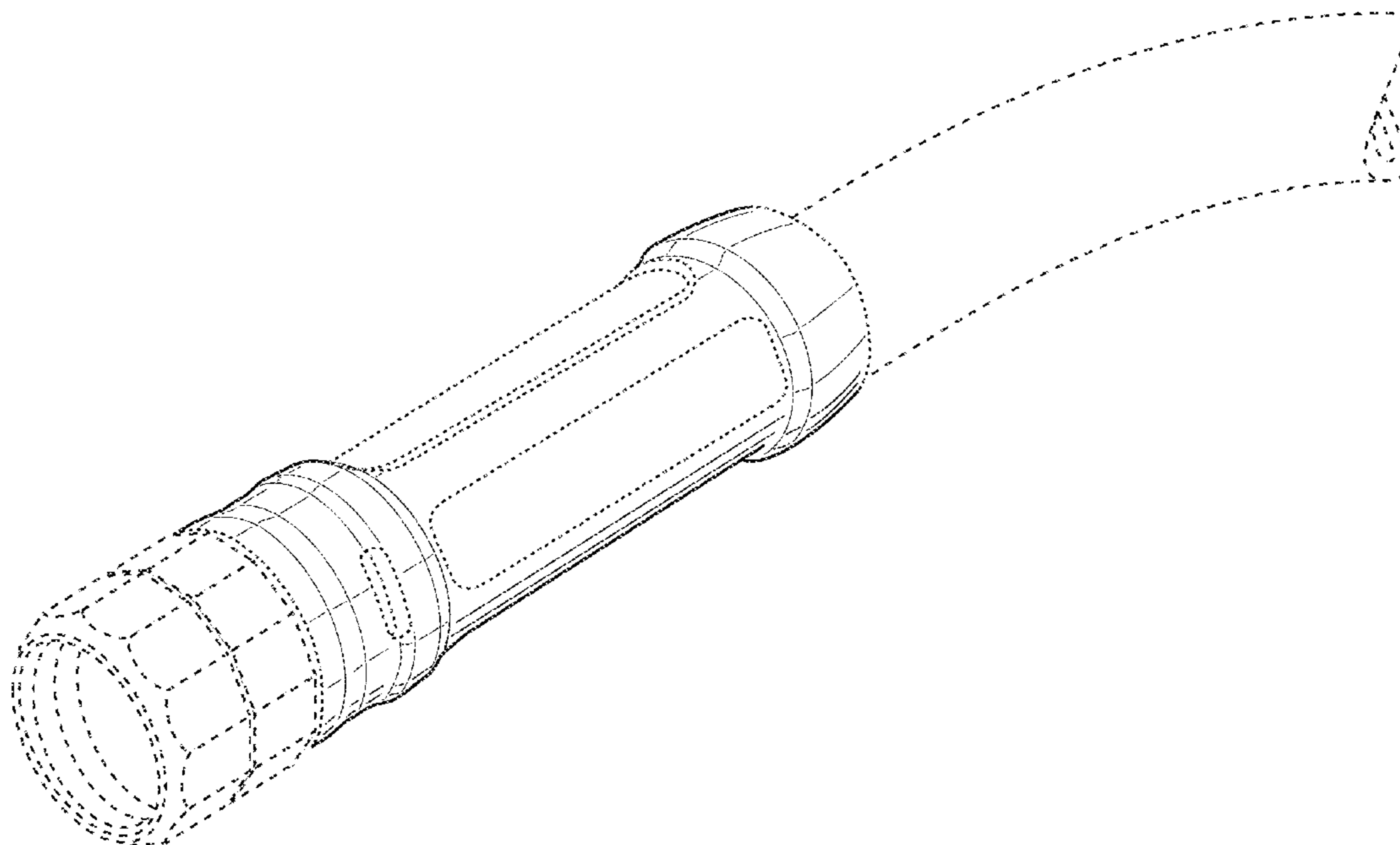
A hose sleeve, as shown and described.

DESCRIPTION

FIG. 1 is a front side perspective view of a hose sleeve;
FIG. 2 is a left side perspective view of a hose sleeve;
FIG. 3 is a front plan view of a hose sleeve, the opposite side being a mirror image thereof;
FIG. 4 is a bottom plan view of a hose sleeve;
FIG. 5 is a top plan view of a hose sleeve;
FIG. 6 is a side plan view of a hose sleeve, the opposite side being a mirror image thereof; and,
FIG. 7 is a cross section view of a hose sleeve, taken along the line 7-7 in FIG. 3.

The broken line showing in the figures are for the purpose of illustrating portions of the article and form no part of the claimed design.

1 Claim, 3 Drawing Sheets



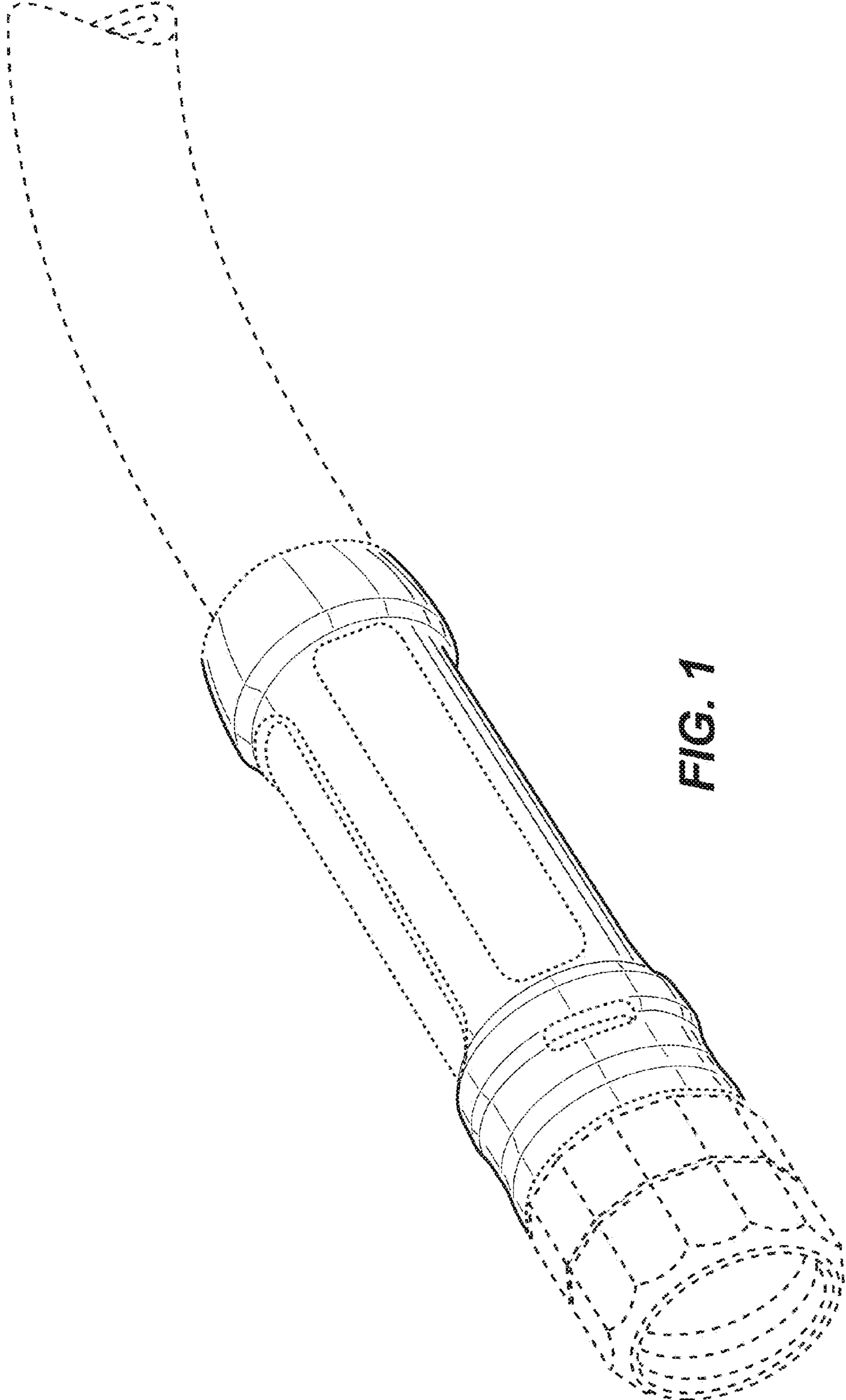


FIG. 1

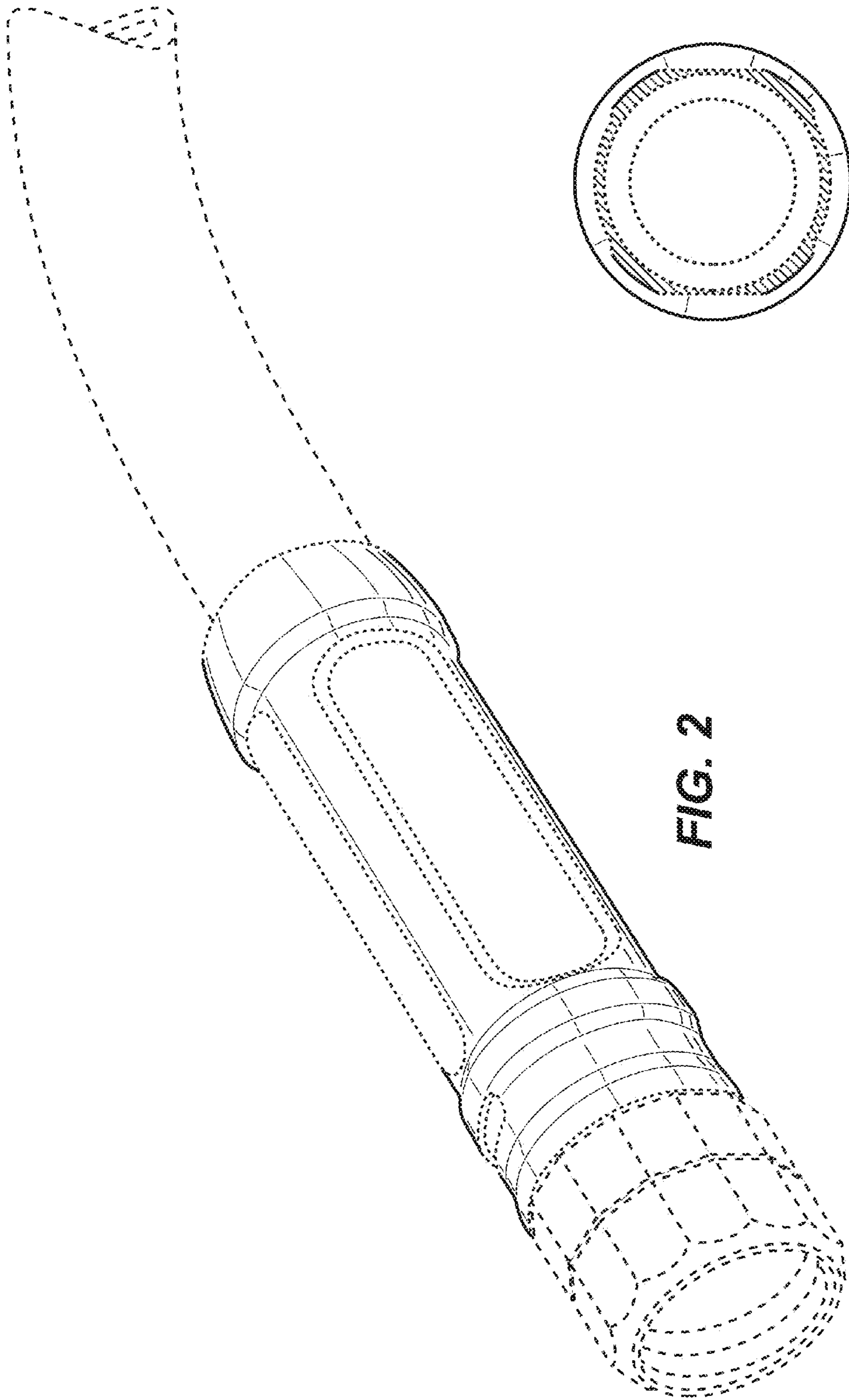


FIG. 2

FIG. 7

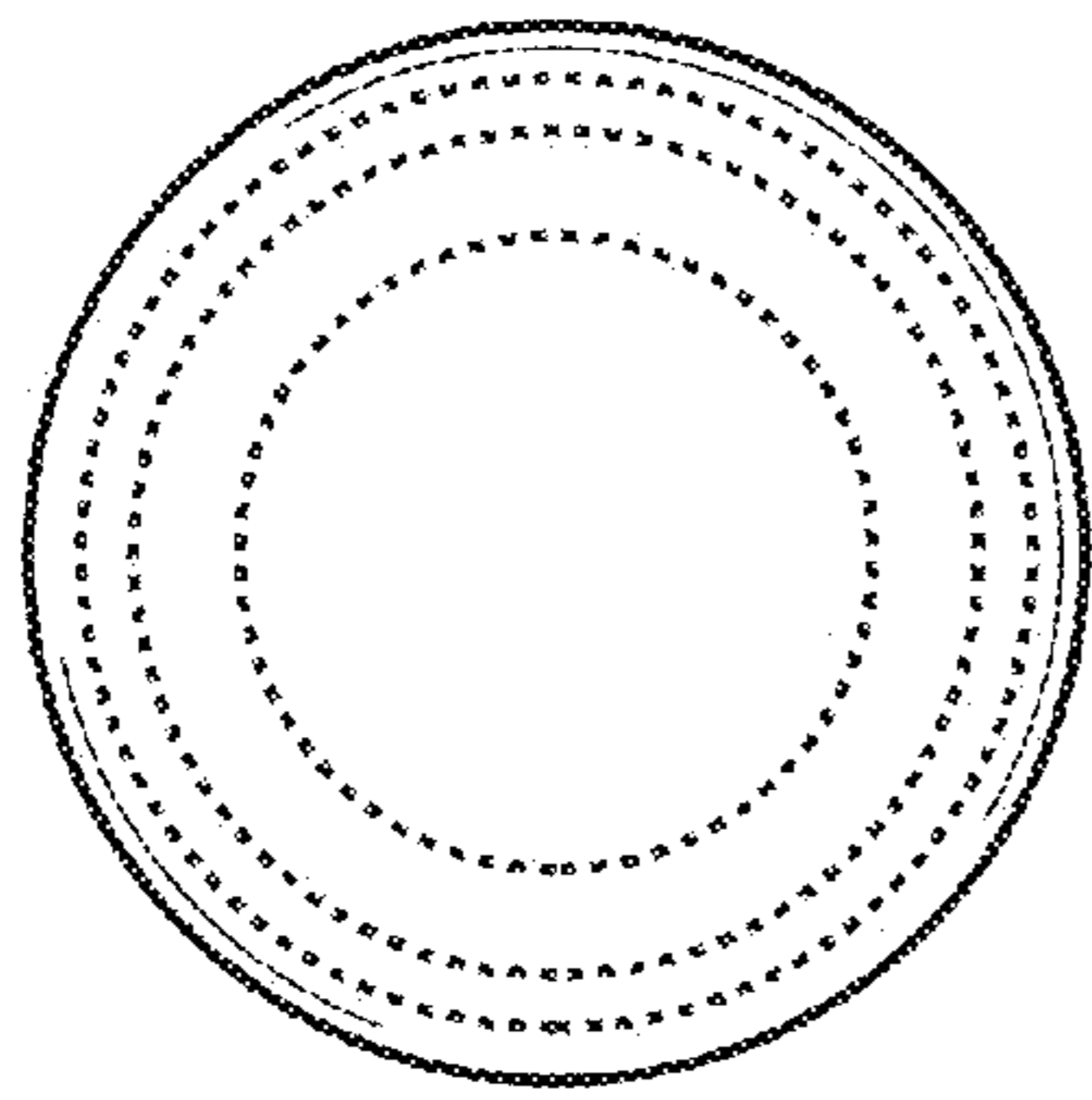


FIG. 4

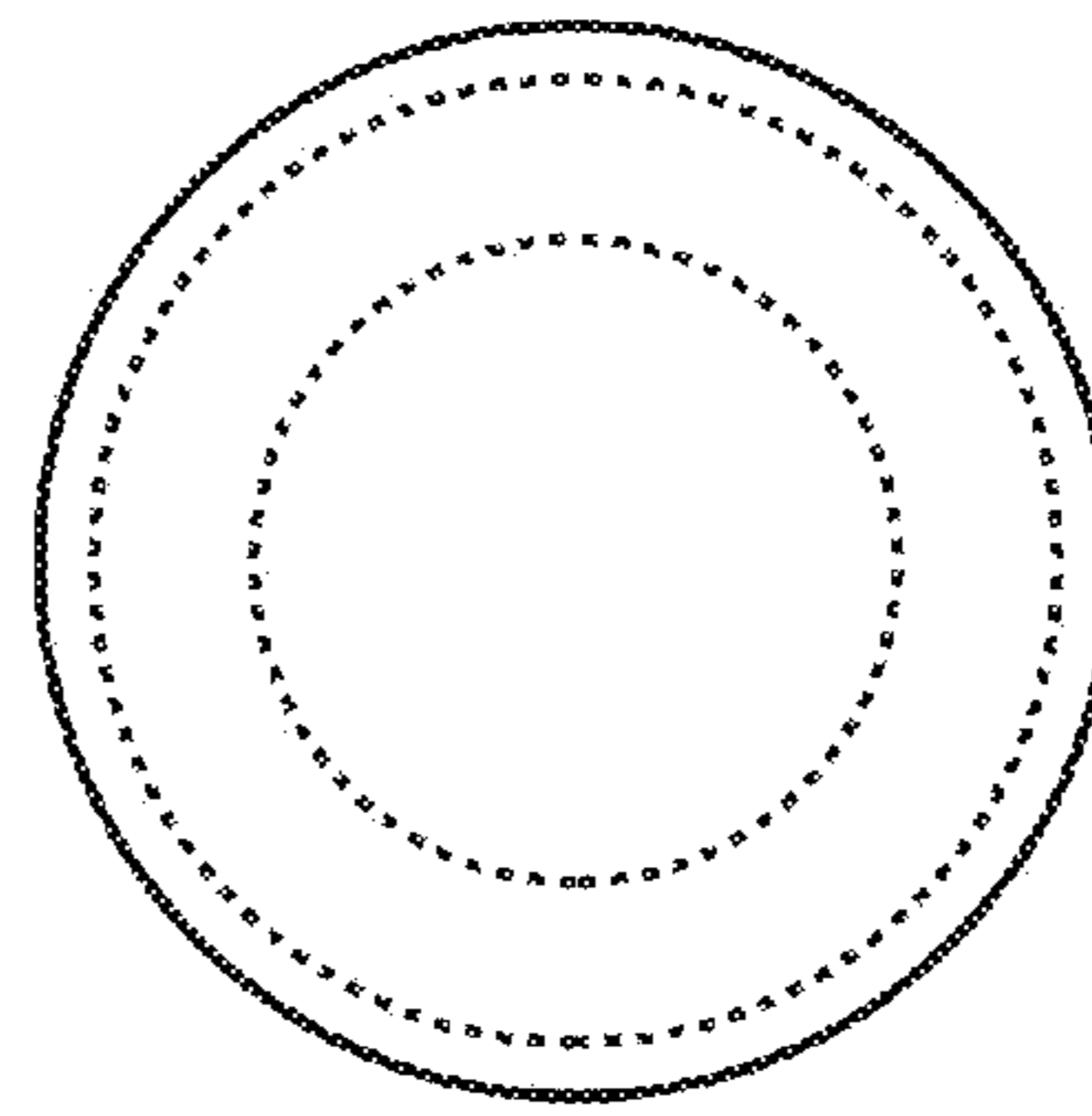


FIG. 5

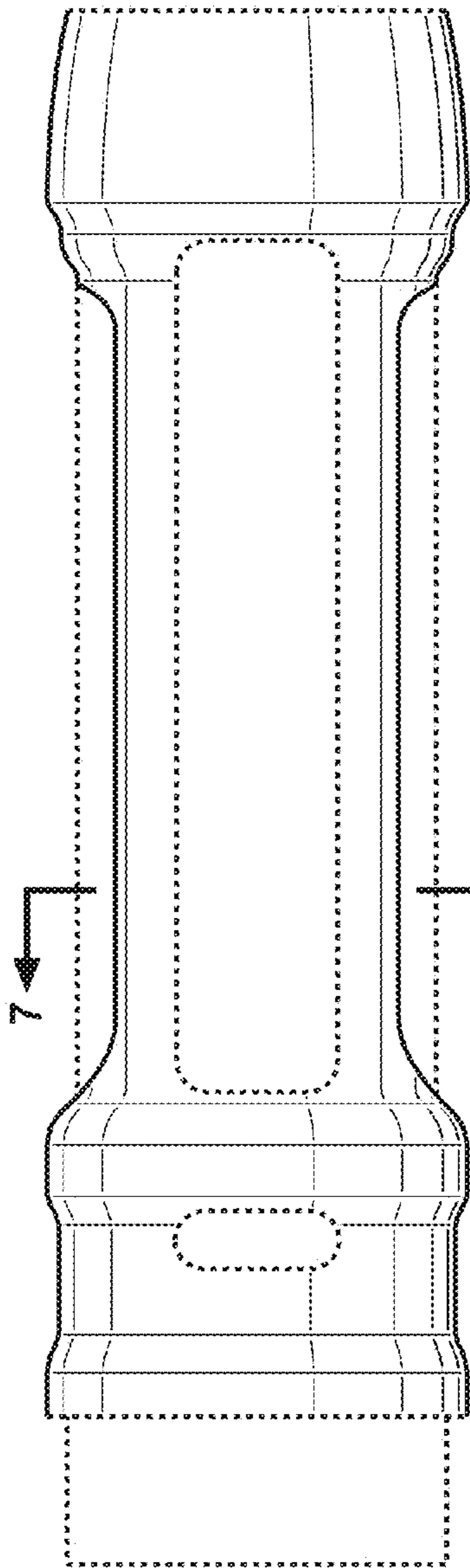


FIG. 3

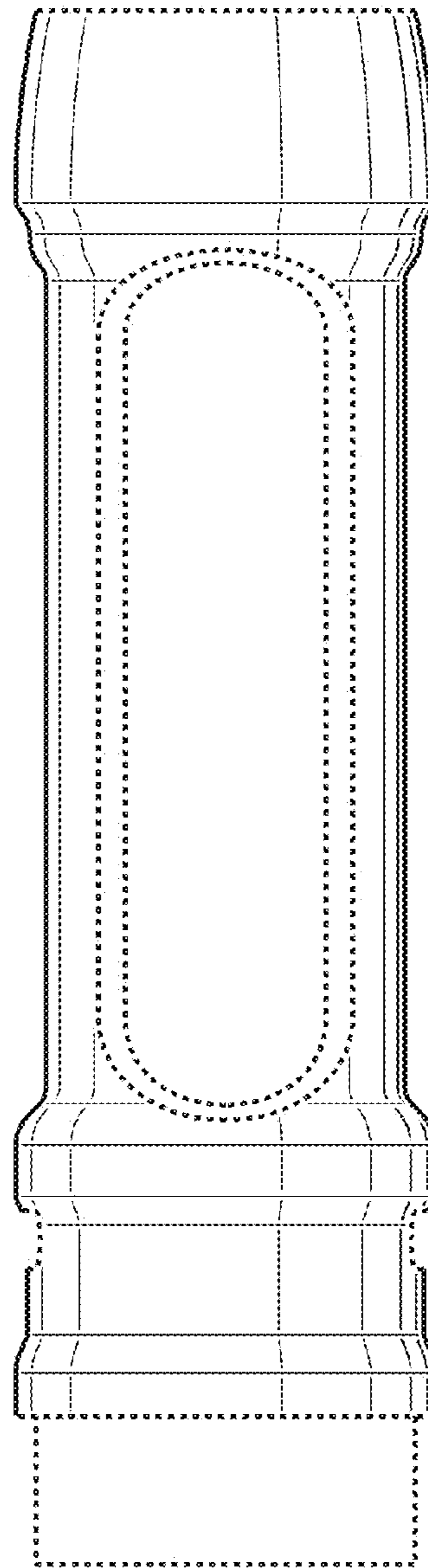


FIG. 6