

US00D719644S

(12) **United States Design Patent**  
**Sedwick**

(10) **Patent No.:** **US D719,644 S**  
(45) **Date of Patent:** **\*\* Dec. 16, 2014**

- (54) **FAUCET SPOUT AND WAND**
- (71) Applicant: **Moen Incorporated**, North Olmsted, OH (US)
- (72) Inventor: **Jennifer P. Sedwick**, Lakewood, OH (US)
- (73) Assignee: **Moen Incorporated**, North Olmsted, OH (US)
- (\*\*) Term: **14 Years**
- (21) Appl. No.: **29/481,021**
- (22) Filed: **Jan. 31, 2014**
- (51) **LOC (10) Cl.** ..... **23-01**
- (52) **U.S. Cl.**  
USPC ..... **D23/255**
- (58) **Field of Classification Search**  
USPC ..... D23/238, 241–243, 249, 255, 257;  
4/675–678; 137/801  
See application file for complete search history.

D534,623 S	1/2007	Fritz	
D538,891 S	3/2007	Gilbert et al.	
D538,892 S	3/2007	Gilbert	
D566,818 S	4/2008	Kohler, Jr. et al.	
D569,483 S	5/2008	Daunter et al.	
D569,950 S	5/2008	Williams	
D578,613 S	10/2008	Williams	
D584,385 S	1/2009	Hanna	
D586,884 S	2/2009	Kollmann et al.	
D593,185 S	5/2009	Williams	
D602,122 S	10/2009	Corbett	
D602,569 S	10/2009	Fakonas	
D609,308 S	2/2010	Fritz et al.	
D610,653 S *	2/2010	Schoenherr et al.	D23/238
D620,558 S *	7/2010	Krumpe	D23/238
D620,559 S	7/2010	Romero	
7,909,061 B2 *	3/2011	Nelson	137/801

(Continued)

*Primary Examiner* — Robert Delehanty  
(74) *Attorney, Agent, or Firm* — Calfee, Halter & Griswold LLP

(57) **CLAIM**  
The ornamental design for a faucet spout and wand, as shown and described.

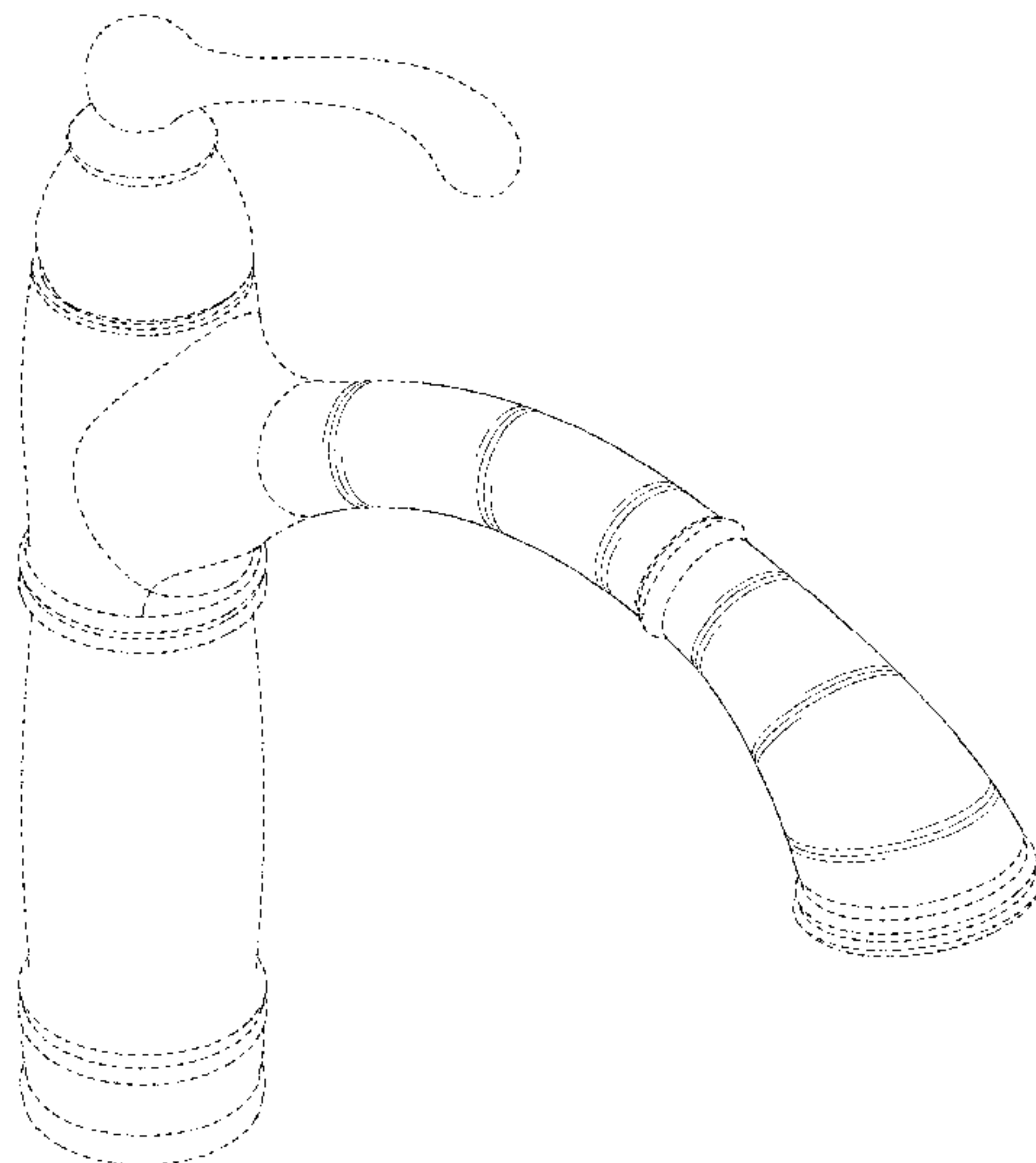
(56) **References Cited**  
U.S. PATENT DOCUMENTS

D285,597 S	9/1986	Miller et al.
D291,117 S	7/1987	Ryan
D350,812 S	9/1994	Kolada et al.
D385,337 S	10/1997	Spurgeon et al.
D404,467 S	1/1999	Doughty et al.
D461,231 S	8/2002	Mullenmeister
D463,532 S	9/2002	Piano
D469,853 S	2/2003	Ouyoung
D473,928 S	4/2003	Lord et al.
D476,396 S	6/2003	Hanna
D487,500 S	3/2004	Blattner
D491,633 S	6/2004	Ouyoung
D492,981 S	7/2004	Bloomstrom
D519,611 S	4/2006	Fritz
D520,604 S	5/2006	Fritz
D521,125 S	5/2006	Fritz

**DESCRIPTION**

FIG. 1 is a perspective view of a faucet spout and wand of the new design;  
FIG. 2 is a front elevational view of the faucet spout and wand of FIG. 1;  
FIG. 3 is a left side elevational view of the faucet spout and wand of FIG. 1, the right side elevational view being a mirror image thereof;  
FIG. 4 is a top plan view of the faucet spout and wand of FIG. 1; and,  
FIG. 5 is a bottom plan view of the faucet spout and wand of FIG. 1.  
The portions of the Figures shown in broken lines are not part of the claimed design and are for illustration only.

**1 Claim, 4 Drawing Sheets**



# US D719,644 S

Page 2

---

(56)

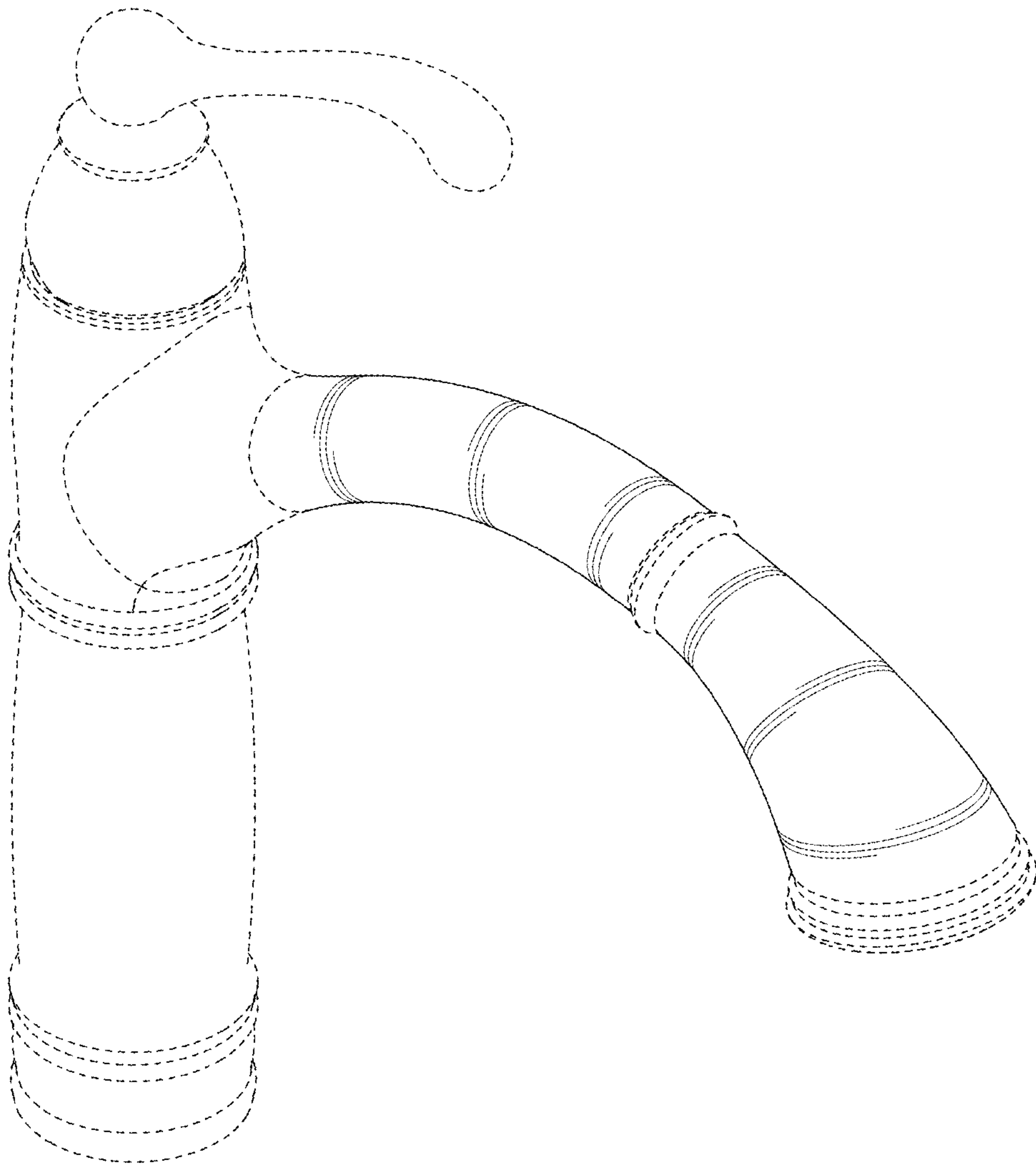
## References Cited

### U.S. PATENT DOCUMENTS

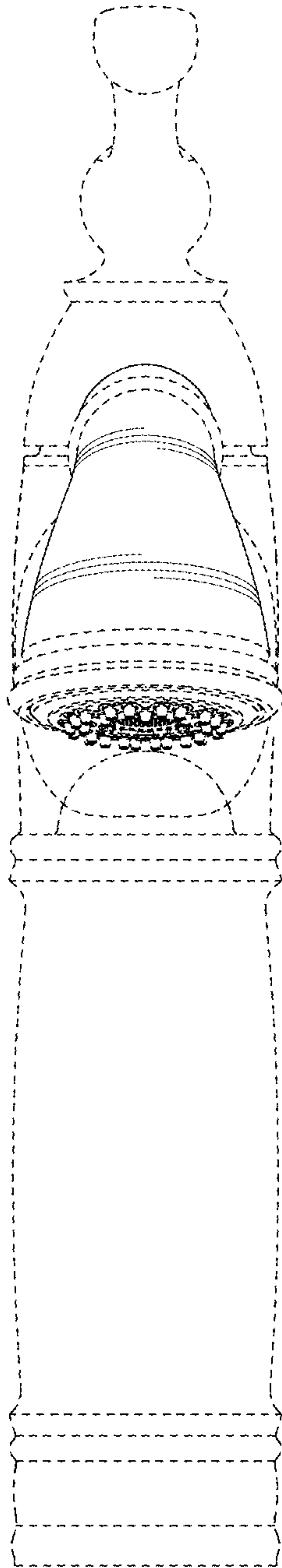
D640,776 S 6/2011 Flowers et al.  
D645,943 S 9/2011 Downey

D654,986 S 2/2012 Kwok  
D656,590 S 3/2012 Ko  
D701,942 S \* 4/2014 Flowers et al. .... D23/213

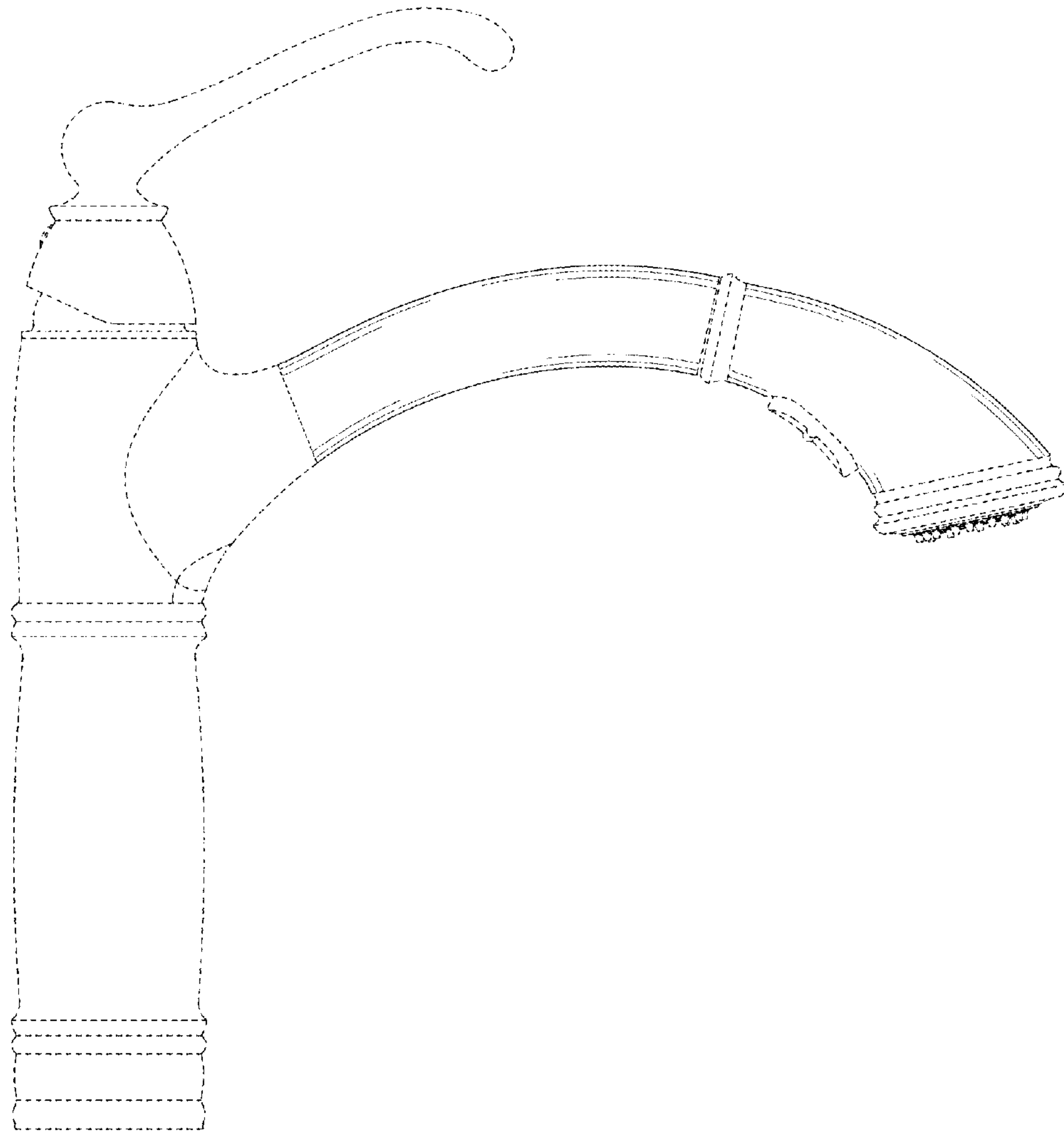
\* cited by examiner



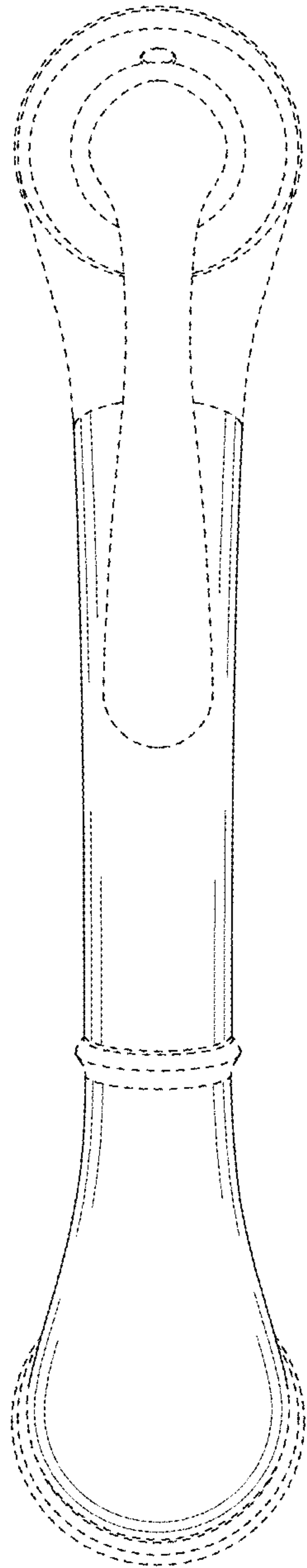
**FIG. 1**



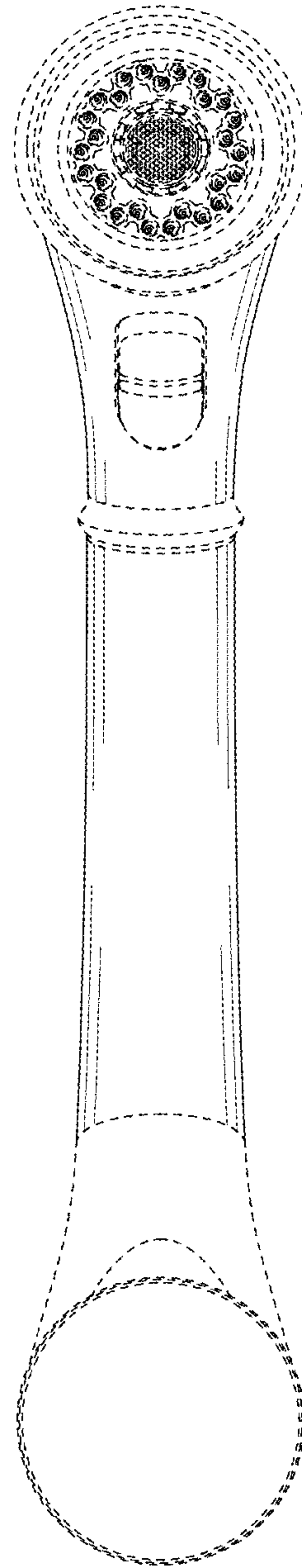
**FIG. 2**



**FIG. 3**



**FIG. 4**



**FIG. 5**