



US00D719643S

(12) **United States Design Patent**
Sedwick

(10) **Patent No.:** **US D719,643 S**

(45) **Date of Patent:** **** Dec. 16, 2014**

(54) **DISPENSER HUB AND SPOUT**

(71) Applicant: **Moen Incorporated**, North Olmsted, OH (US)

(72) Inventor: **Jennifer P. Sedwick**, Lakewood, OH (US)

(73) Assignee: **Moen Incorporated**, North Olmsted, OH (US)

(**) Term: **14 Years**

(21) Appl. No.: **29/481,028**

(22) Filed: **Jan. 31, 2014**

(51) **LOC (10) Cl.** **23-01**

(52) **U.S. Cl.**
USPC **D23/249**

(58) **Field of Classification Search**
USPC D23/238, 241–243, 249, 255, 257;
4/675–678; 137/801

See application file for complete search history.

(56) **References Cited**

U.S. PATENT DOCUMENTS

D247,098 S	1/1978	Ferrante	
D296,665 S	7/1988	Hofer	
D308,475 S	6/1990	Gastwirt	
D320,259 S	9/1991	Delepine	
D360,678 S	7/1995	Mine	
D366,834 S	2/1996	Reid	
D462,421 S	9/2002	Hundley	
D465,270 S	11/2002	Gottwald	
D472,308 S	3/2003	Hundley	
D478,151 S	8/2003	Ouyoung	
D478,375 S	8/2003	Hundley	
D486,335 S	2/2004	Sonneman	
D511,062 S	11/2005	Lai	
D516,677 S	3/2006	Haug et al.	
D517,647 S	3/2006	Kulig	
D529,132 S *	9/2006	Haug et al.	D23/238
D555,770 S	11/2007	Belisle	
D555,771 S	11/2007	Noth et al.	

D577,104 S	9/2008	Latarraca	
D580,522 S	11/2008	Zhang	
D594,091 S	6/2009	Schoenherr et al.	
D594,936 S	6/2009	Schoenherr et al.	
D602,570 S	10/2009	Lammel et al.	
D603,481 S	11/2009	Zetsche et al.	
D634,405 S *	3/2011	Shieh	D23/242
D636,061 S	4/2011	Kulig	
D636,062 S	4/2011	Rubin et al.	
D643,095 S	8/2011	Matsuura et al.	
D643,512 S	8/2011	Matsuura et al.	
D644,301 S	8/2011	Flowers et al.	
D673,652 S	1/2013	Thomas	
D676,114 S	2/2013	Lord	
D692,101 S	10/2013	Yu	

* cited by examiner

Primary Examiner — Robert Delehanty

(74) *Attorney, Agent, or Firm* — Calfee, Halter & Griswold LLP

(57) **CLAIM**

The ornamental design for a dispenser hub and spout, as shown and described.

DESCRIPTION

FIG. 1 is a perspective view of a dispenser hub and spout of the new design;

FIG. 2 is a front elevational view of the dispenser hub and spout of FIG. 1;

FIG. 3 is a rear elevational view of the dispenser hub and spout of FIG. 1;

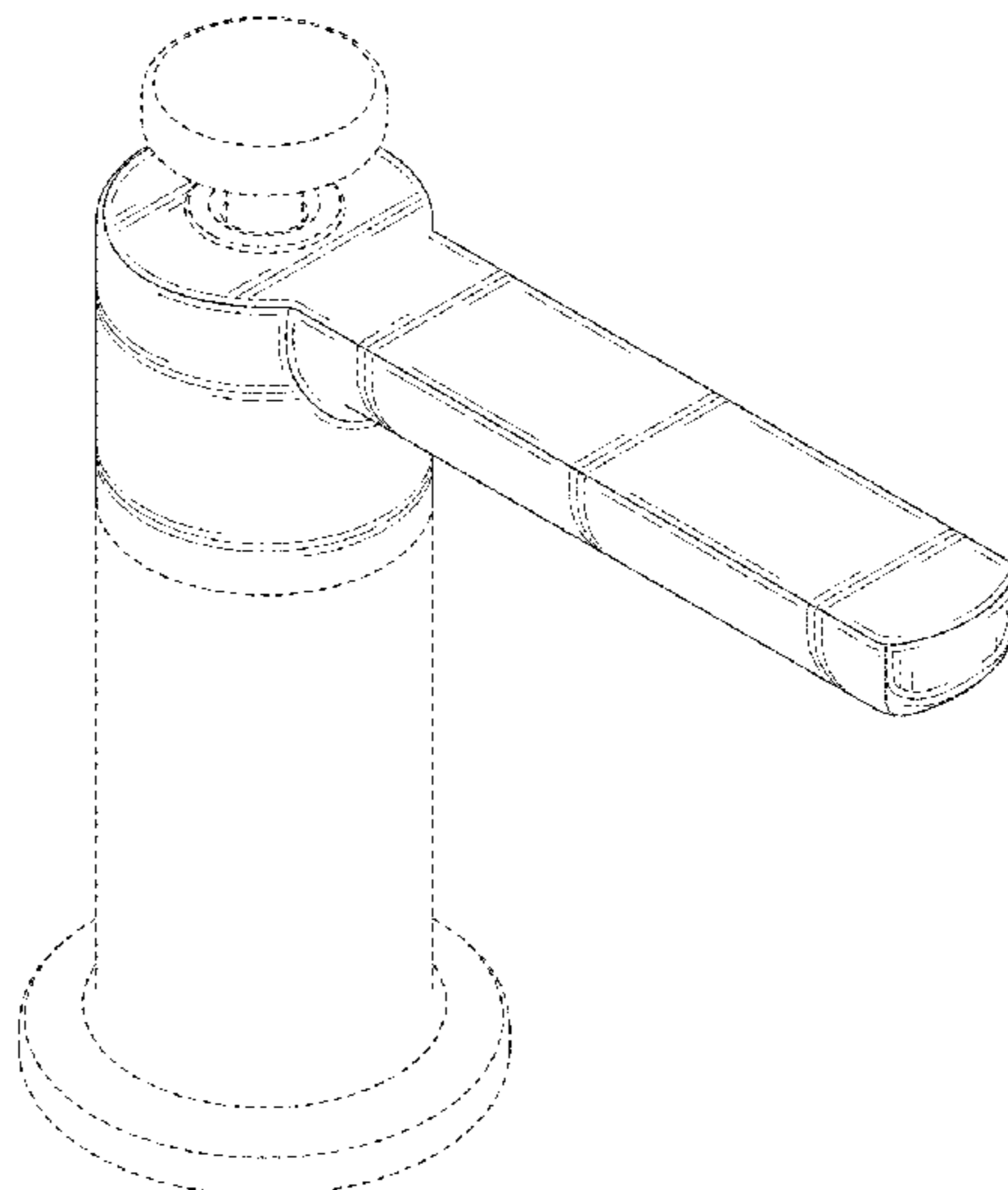
FIG. 4 is a left side elevational view of the dispenser hub and spout of FIG. 1, the right side elevational view being a mirror image thereof;

FIG. 5 is a top plan view of the dispenser hub and spout of FIG. 1; and,

FIG. 6 is a bottom plan view of the dispenser hub and spout of FIG. 1.

The portions of the Figures shown in broken lines are not part of the claimed design and are for illustration only.

1 Claim, 4 Drawing Sheets



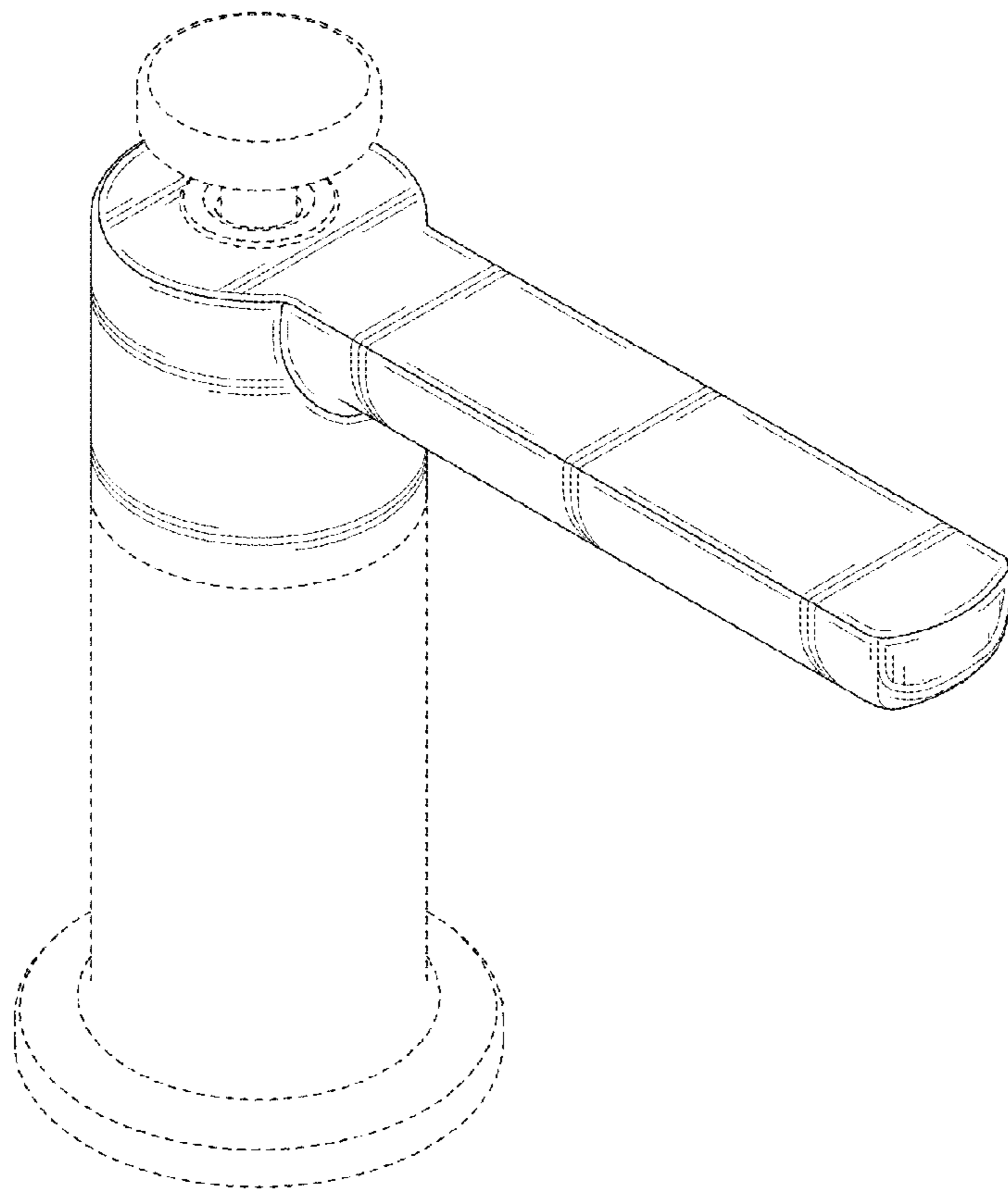


FIG. 1

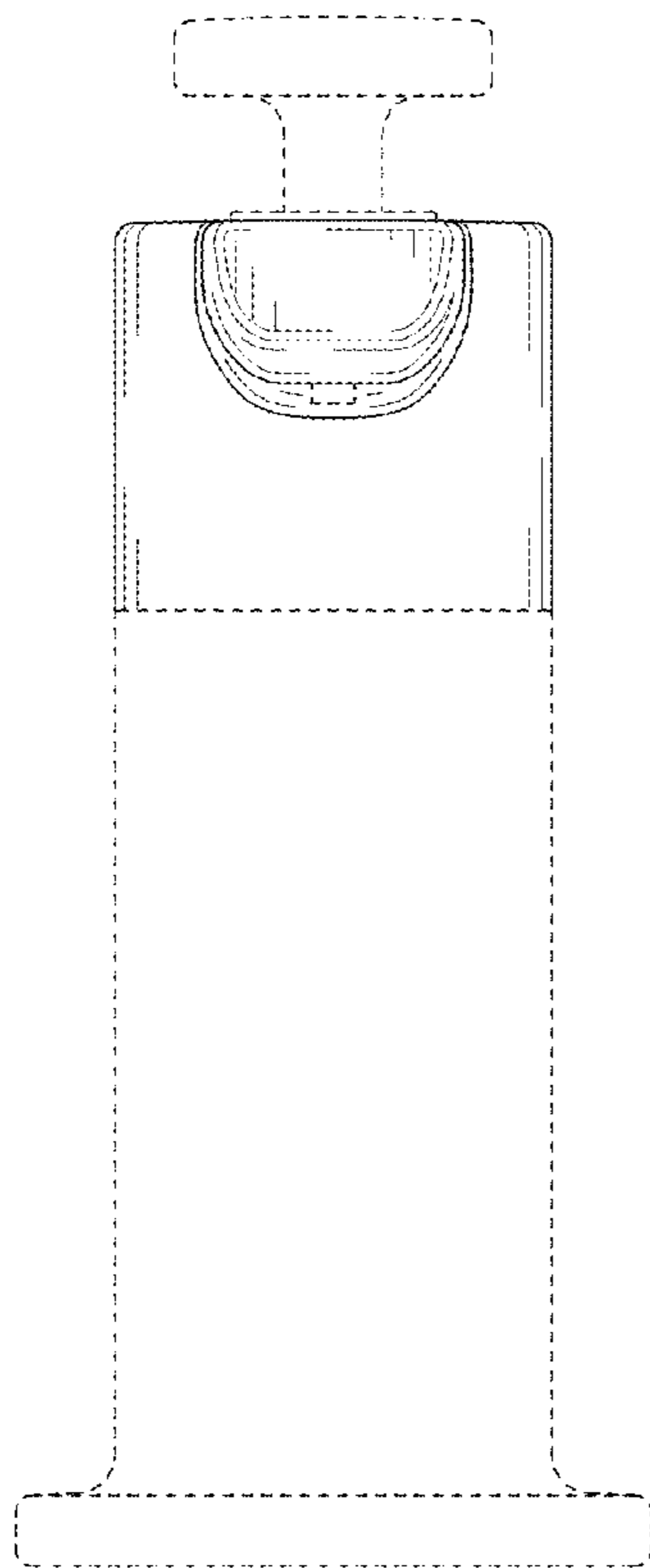


FIG. 2

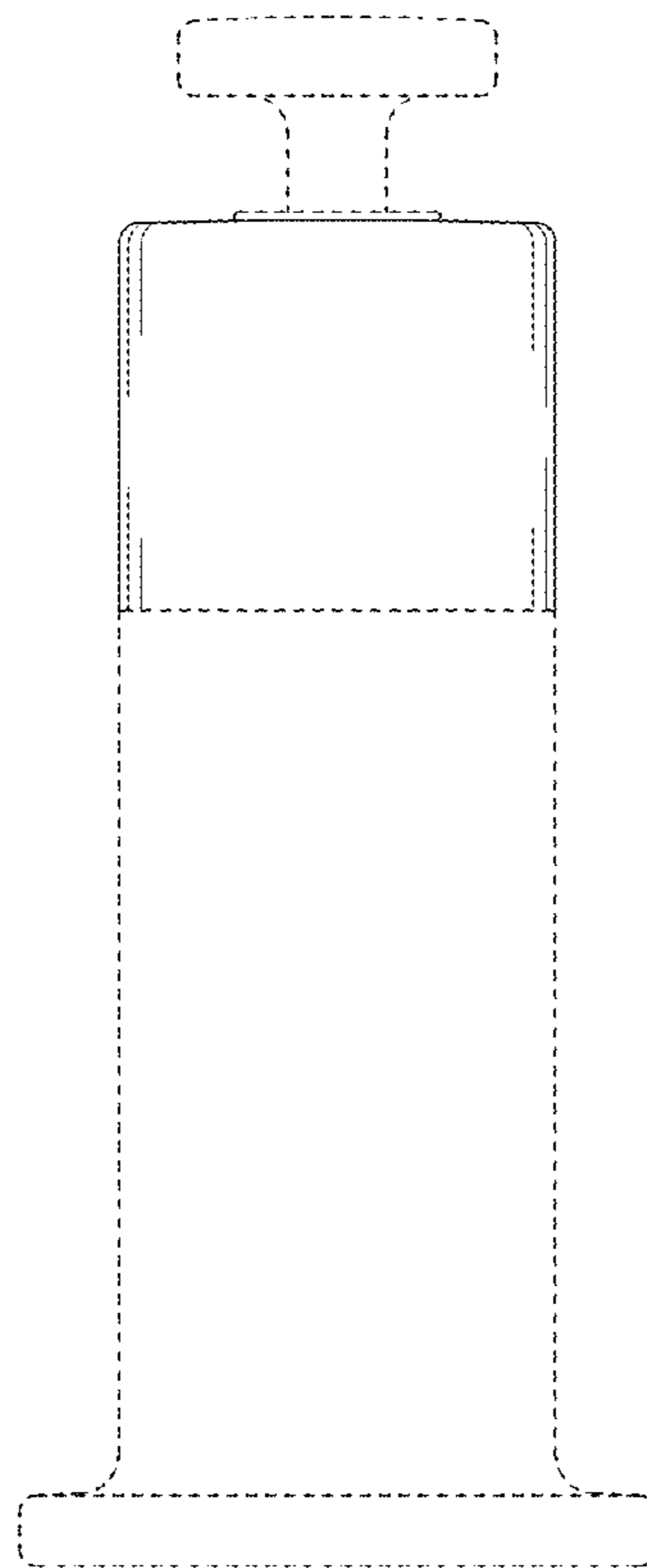


FIG. 3

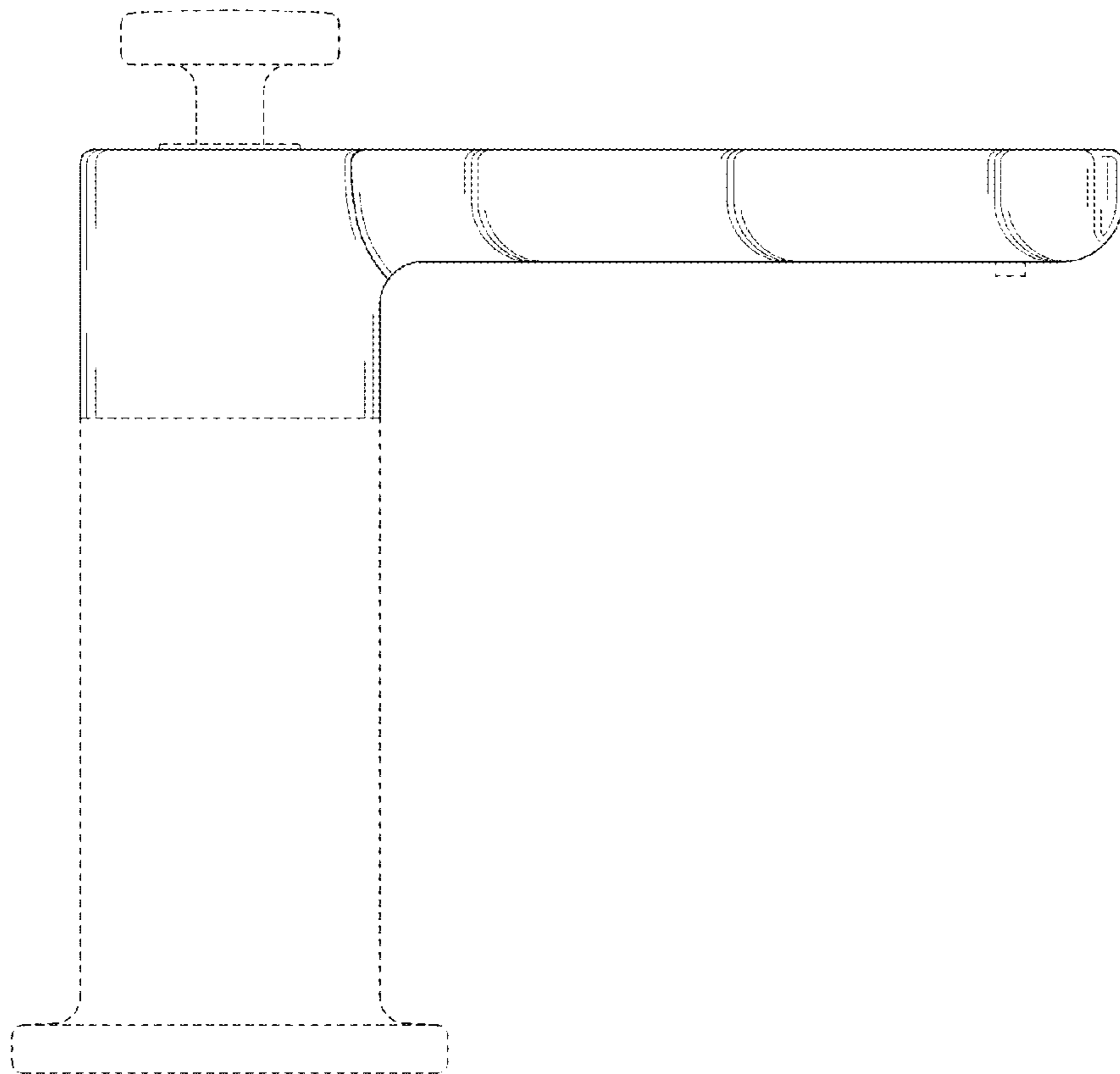


FIG. 4

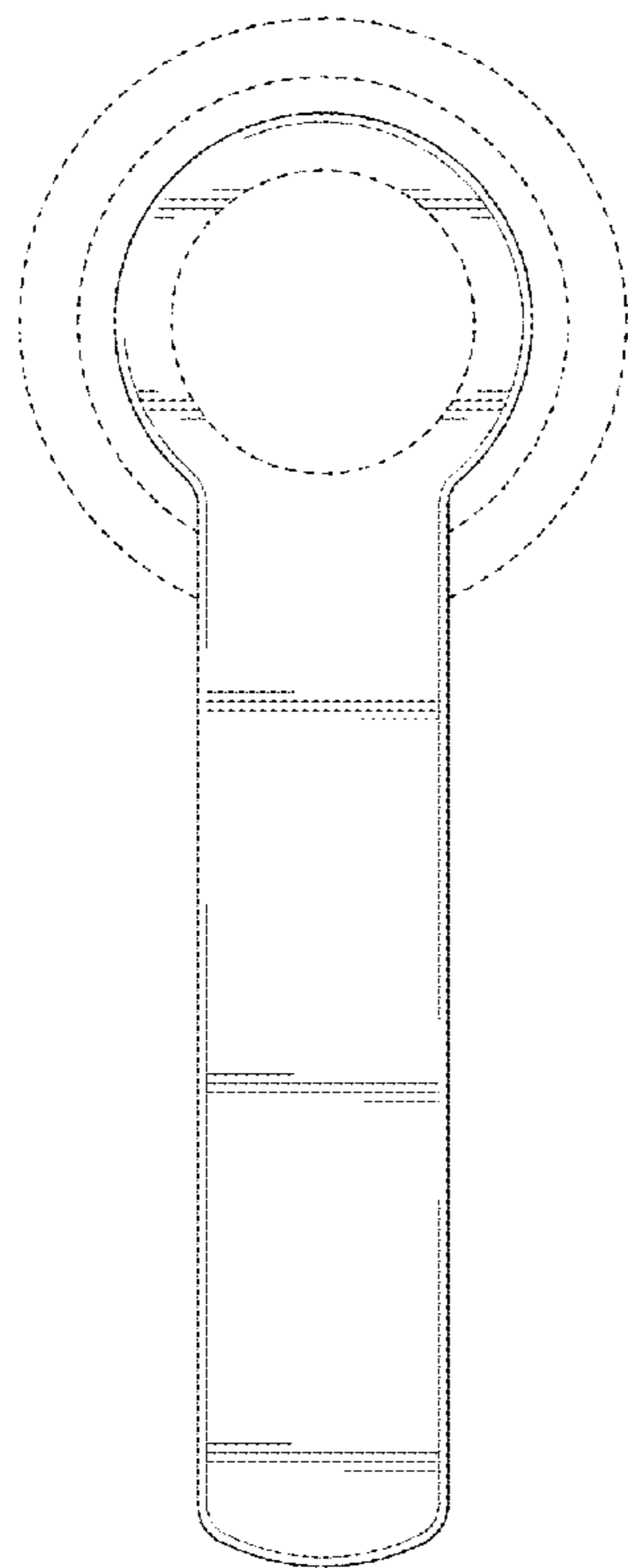


FIG. 5

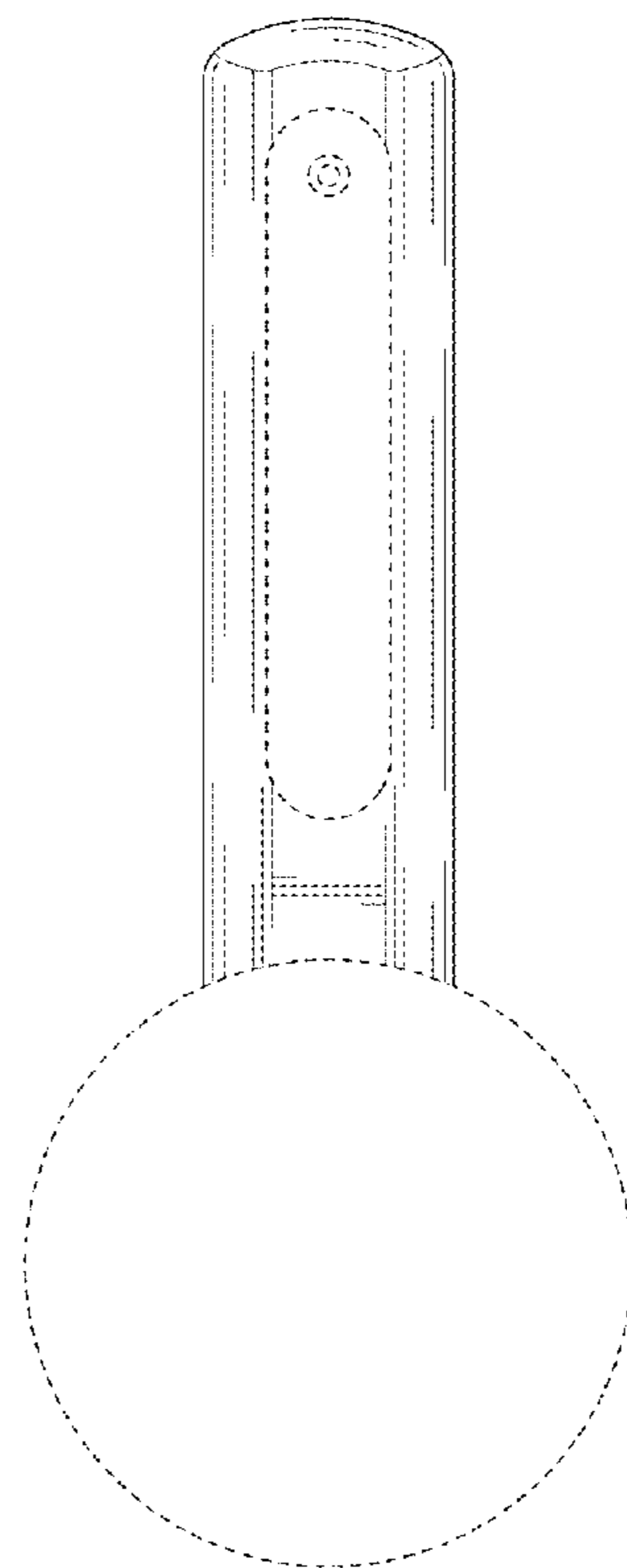


FIG. 6