



US00D719642S

(12) **United States Design Patent**
Kim et al.

(10) **Patent No.:** **US D719,642 S**

(45) **Date of Patent:** **** Dec. 16, 2014**

(54) **FAUCET HUB**

(71) Applicant: **Moen Incorporated**, North Olmsted,
OH (US)

(72) Inventors: **Josephina Ji Yeon Kim**, Cleveland, OH
(US); **Jennifer P. Sedwick**, Lakewood,
OH (US)

(73) Assignee: **Moen Incorporated**, North Olmsted,
OH (US)

(**) Term: **14 Years**

(21) Appl. No.: **29/481,026**

(22) Filed: **Jan. 31, 2014**

(51) **LOC (10) Cl.** **23-01**

(52) **U.S. Cl.**
USPC **D23/249**

(58) **Field of Classification Search**
USPC D23/238, 241–243, 249, 255, 257;
4/675–678; 137/801

See application file for complete search history.

(56) **References Cited**

U.S. PATENT DOCUMENTS

D518,557 S	4/2006	Thun
D518,878 S	4/2006	Thun
D567,907 S	4/2008	Kohler, Jr. et al.
D567,912 S	4/2008	Juratovac et al.
D580,521 S	11/2008	Gessi
D581,017 S	11/2008	Gessi
D602,122 S	10/2009	Corbett

D607,975 S	1/2010	Schoenherr et al.	
D608,859 S	1/2010	Schoenherr et al.	
D610,236 S	2/2010	Schoenherr et al.	
D612,016 S	3/2010	Williams	
D636,853 S	4/2011	Yu	
D640,353 S	6/2011	Gao et al.	
D645,123 S *	9/2011	Corbett	D23/255
D648,003 S	11/2011	Gao et al.	
D673,651 S	1/2013	Uhl	
D674,051 S	1/2013	Uhl	
D683,825 S *	6/2013	Sofield	D23/255
D685,060 S	6/2013	Yu	

* cited by examiner

Primary Examiner — Robert Delehanty

(74) *Attorney, Agent, or Firm* — Calfee, Halter & Griswold
LLP

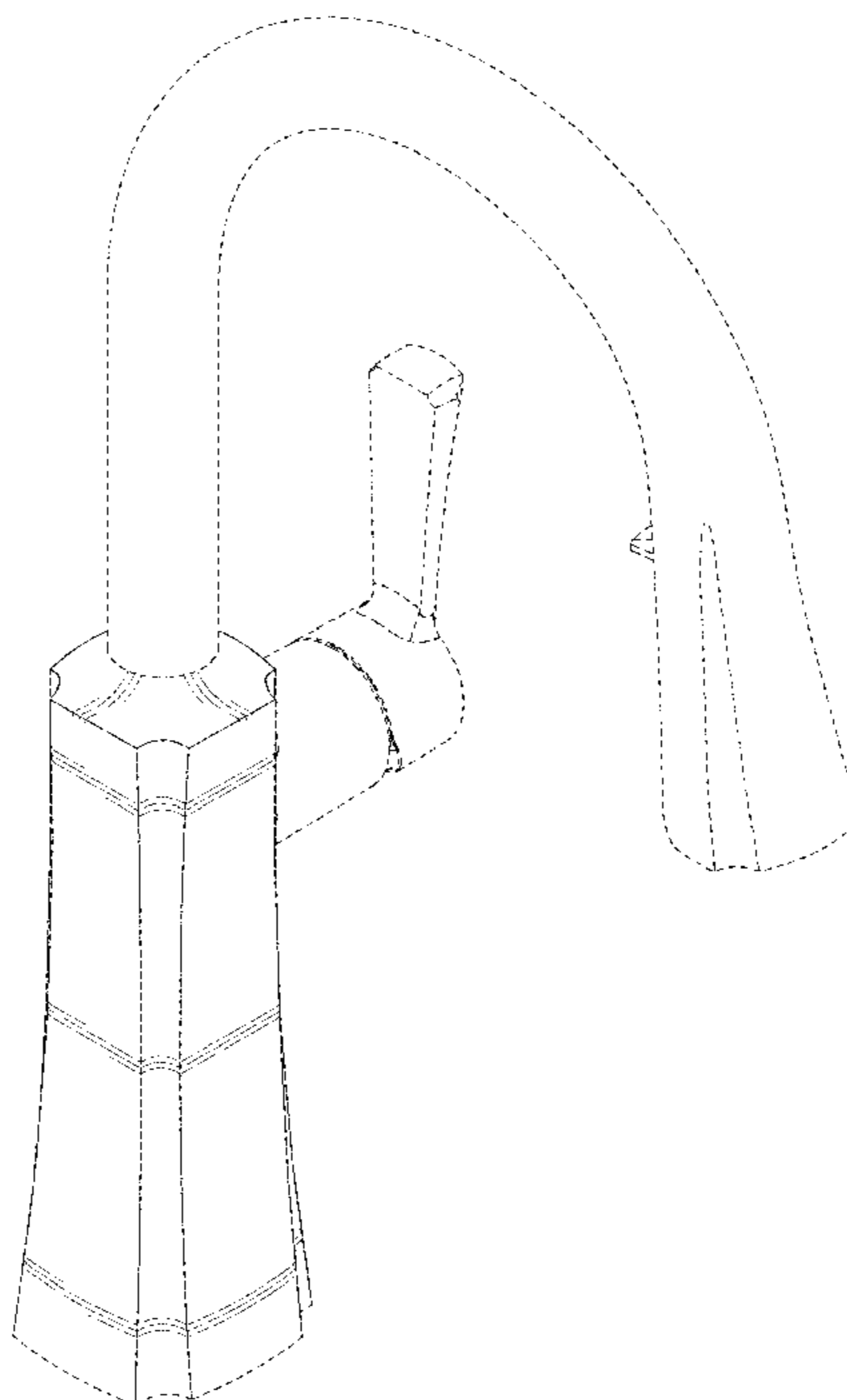
(57) **CLAIM**

The ornamental design for a faucet hub, as shown and described.

DESCRIPTION

FIG. 1 is a perspective view of a faucet hub of the new design; FIG. 2 is a front elevational view of the faucet hub of FIG. 1; FIG. 3 is a rear elevational view of the faucet hub of FIG. 1; FIG. 4 is a left side elevational view of the faucet hub of FIG. 1; FIG. 5 is a right side elevational view of the faucet hub of FIG. 1; and, FIG. 6 is a top plan view of the faucet hub of FIG. 1. The portions of the Figures shown in broken lines are not part of the claimed design and are for illustration only.

1 Claim, 5 Drawing Sheets



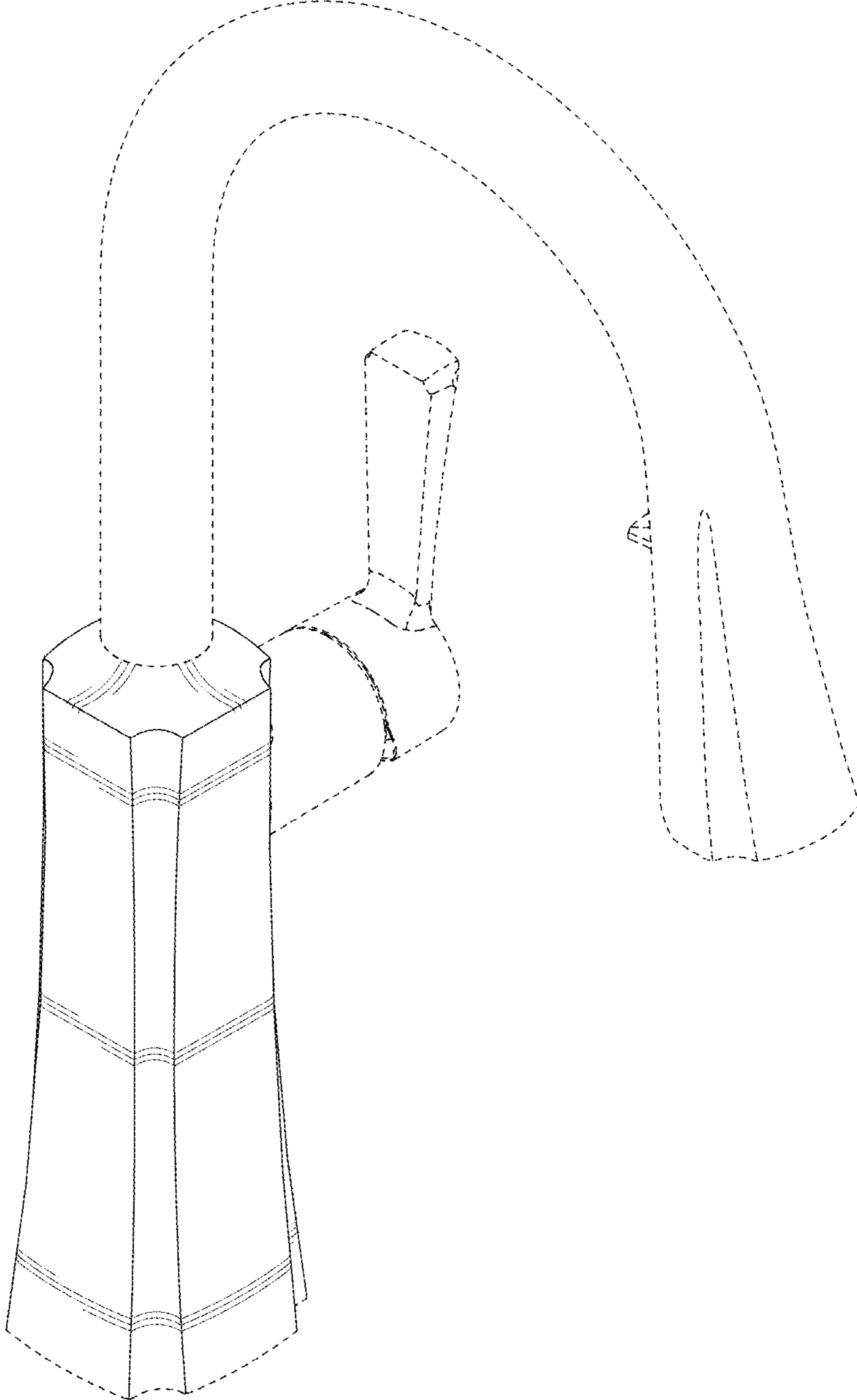


FIG. 1

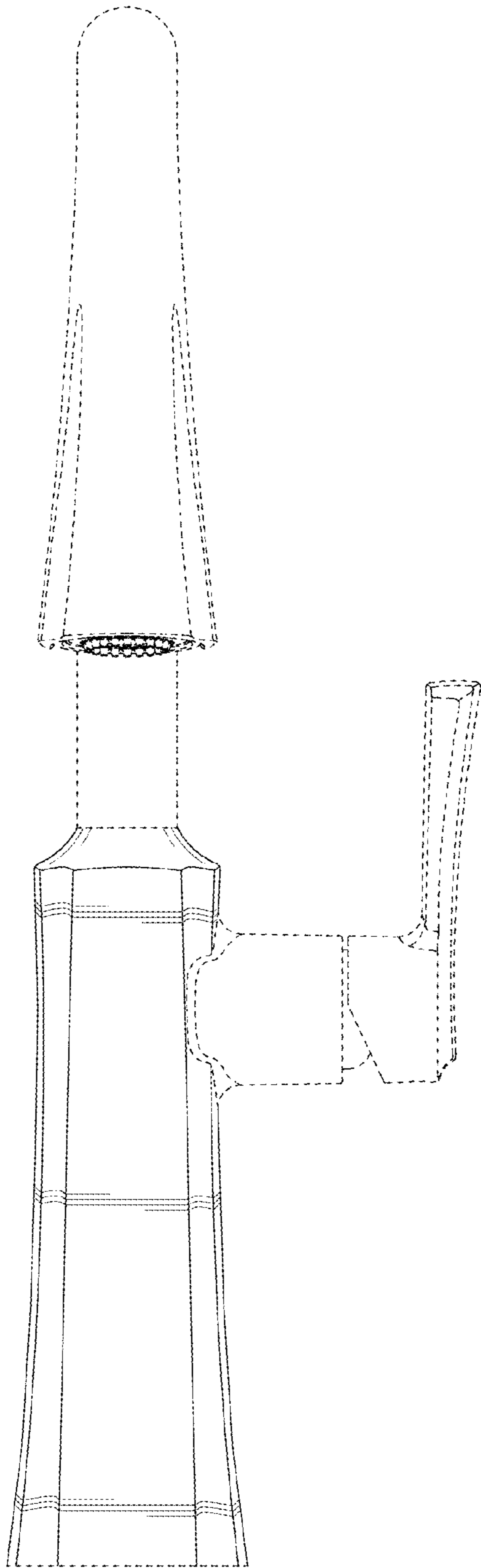


FIG. 2

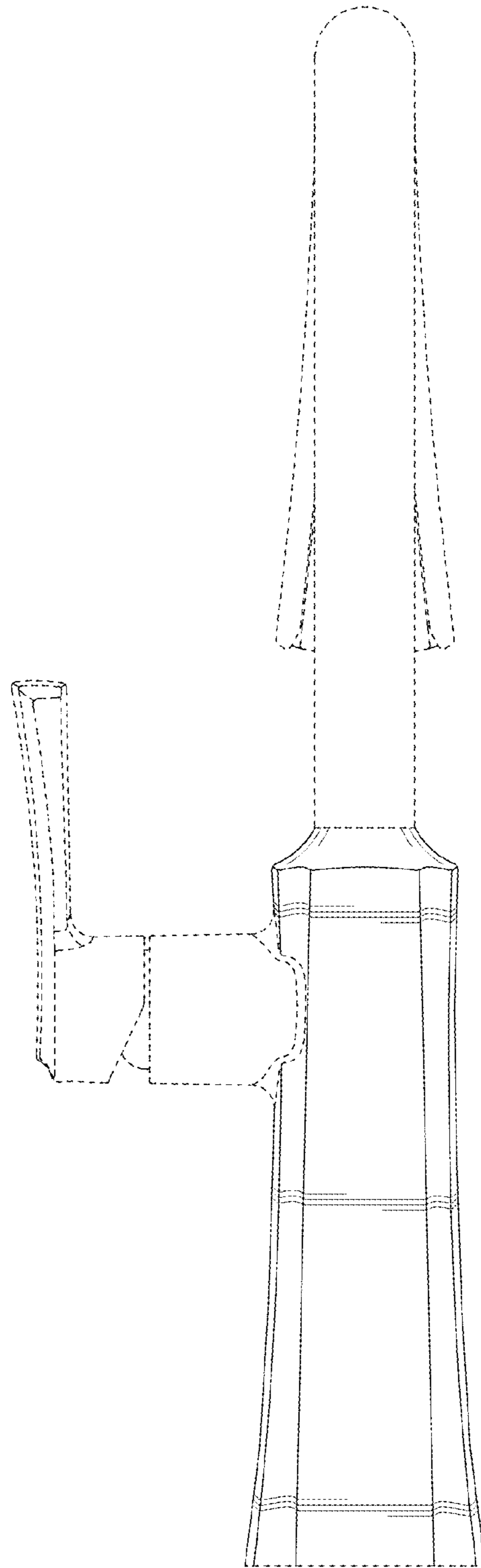


FIG. 3

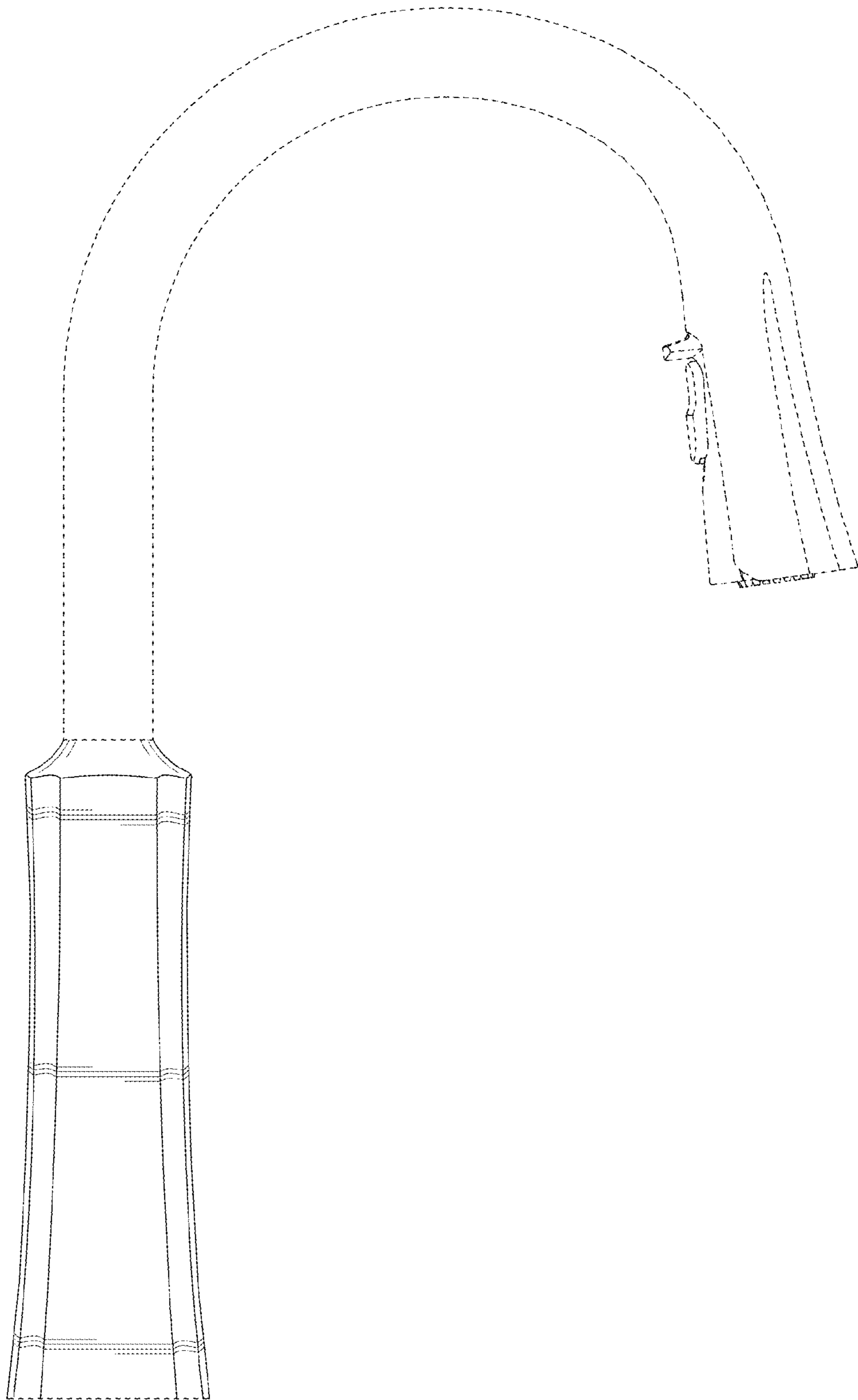


FIG. 4

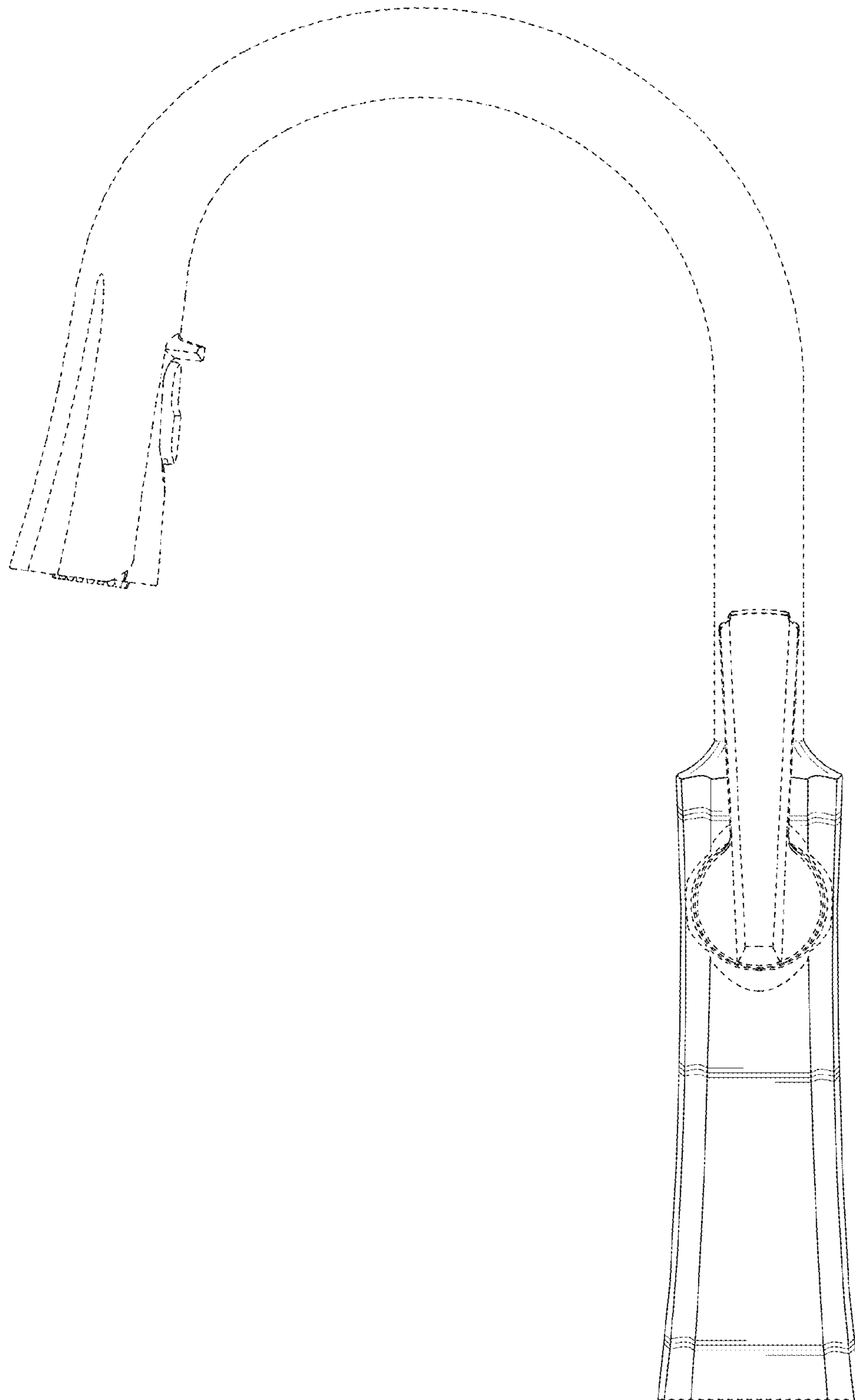


FIG. 5

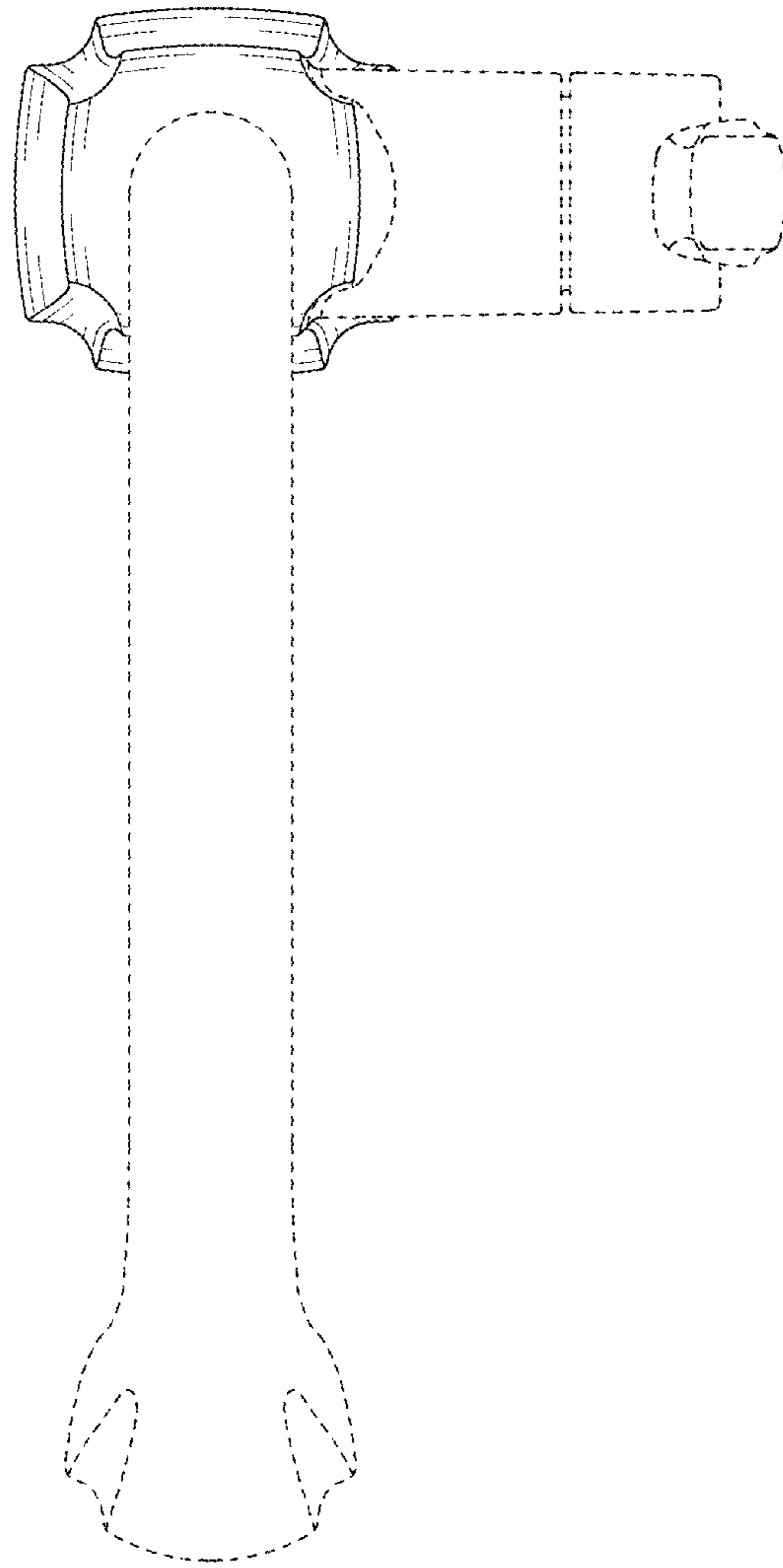


FIG. 6