



US00D719641S

(12) **United States Design Patent**  
**Schoolcraft et al.**

(10) **Patent No.:** **US D719,641 S**  
(45) **Date of Patent:** **\*\* Dec. 16, 2014**

(54) **PLUMBING FITTING**

(71) Applicant: **Zurn Industries, LLC**, Sanford, NC  
(US)

(72) Inventors: **John Kevin Schoolcraft**, Sanford, NC  
(US); **Craig Saunders**, Rocky River, OH  
(US); **Paul Stephens**, Twinsburg, OH  
(US); **Jason Tilk**, Cleveland Heights,  
OH (US); **Alex Velet**, Westlake, OH  
(US); **Michael Liebal**, Greensboro, NC  
(US); **Sean M. Chenard**, Raleigh, NC  
(US); **Roy Leviner, III**, Aberdeen, NC  
(US)

(73) Assignee: **Zurn Industries, LLC**, Sanford, NC  
(US)

(\*\*) Term: **14 Years**

(21) Appl. No.: **29/471,339**

(22) Filed: **Oct. 30, 2013**

(51) **LOC (10) Cl.** ..... **23-01**

(52) **U.S. Cl.**  
USPC ..... **D23/249**

(58) **Field of Classification Search**  
CPC ..... F16L 1/00; F16L 9/00; F16L 13/00;  
F16L 2011/00; F16L 2101/00; F16L 2201/00;  
E03C 1/00; E03C 2001/00; E03C 2201/00;  
E03C 1/057  
USPC ..... D23/213, 223, 229, 238, 241, 242, 243,  
D23/249, 255; 251/129.04, 128, 367;  
137/315.12, 315.13, 315.15, 606, 801;  
4/623, 675, 695; D9/448

See application file for complete search history.

(56) **References Cited**

**U.S. PATENT DOCUMENTS**

341,873 A 5/1886 Bayles  
D253,607 S \* 12/1979 Haug ..... D23/238

4,186,761 A 2/1980 Guarnieri  
D260,809 S \* 9/1981 Fleischmann et al. .... D23/229  
D263,867 S \* 4/1982 Thompson ..... D23/213  
D266,454 S \* 10/1982 Miller ..... D23/229  
D266,575 S \* 10/1982 Miller ..... D23/229  
D268,205 S \* 3/1983 Smith ..... D23/229  
D278,270 S 4/1985 Niemann  
D278,271 S 4/1985 Niemann  
4,513,769 A 4/1985 Purcell  
D279,598 S 7/1985 Rademacher

(Continued)

**FOREIGN PATENT DOCUMENTS**

EP 0347527 12/1989  
EP 1245741 10/2002

**OTHER PUBLICATIONS**

Moen Product Reference Guide, 2007.  
Moen M-Pact Valve—Illustrated Parts, Sep. 2010.

(Continued)

*Primary Examiner* — Cynthia Ramirez  
*Assistant Examiner* — Gino Colan

(74) *Attorney, Agent, or Firm* — Quarles & Brady LLP

(57) **CLAIM**

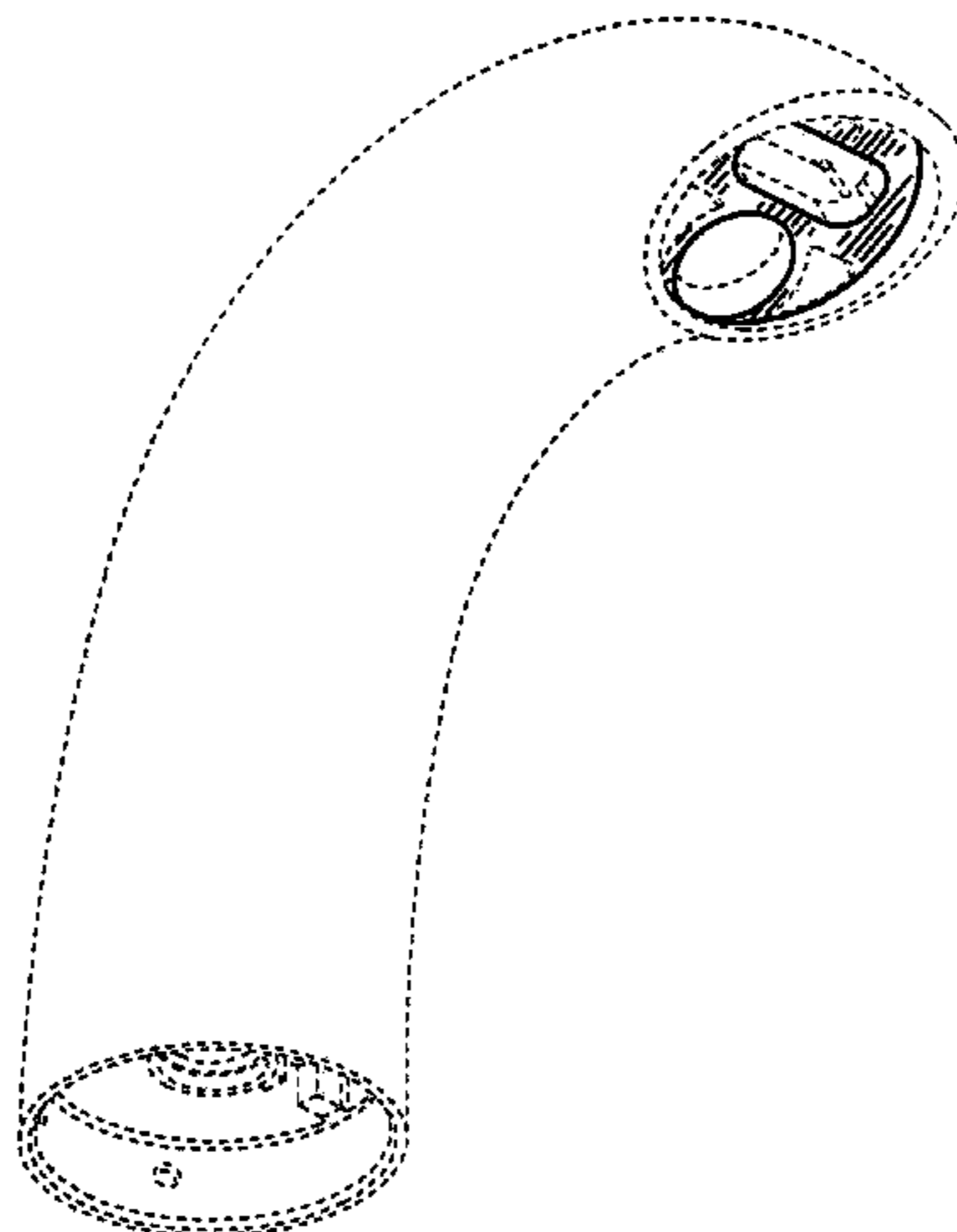
The ornamental design for a plumbing fitting, as shown and described.

**DESCRIPTION**

FIG. 1 is a bottom, left, front perspective view of a plumbing fitting showing our new design;  
FIG. 2 is a front elevational view thereof;  
FIG. 3 is a bottom plan view thereof; and,  
FIG. 4 is a sectional view taken along line 4-4 of FIG. 2.  
The broken line representations in the figures show unclaimed environment, and thus form no part of the claimed design.

The nature of this product is a plumbing fitting, such as a spout, or portion thereof, for a sensor activated faucet.

**1 Claim, 3 Drawing Sheets**



(56)

References Cited

U.S. PATENT DOCUMENTS

4,649,958 A	3/1987	Purcell		6,294,786 B1	9/2001	Marcichow et al.
4,735,357 A	4/1988	Gregory et al.		6,301,727 B1	10/2001	Bertrand et al.
4,762,273 A	8/1988	Gregory et al.		6,321,785 B1	11/2001	Bergmann
4,767,922 A	8/1988	Stauffer		6,334,226 B1	1/2002	Tokunaga et al.
D299,161 S	12/1988	Franttini		6,360,770 B1	3/2002	Buchner et al.
4,839,039 A	6/1989	Parsons et al.		6,370,712 B1	4/2002	Burns et al.
4,894,874 A	1/1990	Wilson		6,385,798 B1	5/2002	Burns et al.
4,953,236 A	9/1990	Lee et al.		D460,524 S	7/2002	Green et al.
D314,228 S	1/1991	Haug et al.		D461,542 S	8/2002	Shieh
D315,786 S	3/1991	Pilolla et al.		D461,543 S	8/2002	Müllenmeister
5,025,516 A	6/1991	Wilson		D461,879 S	8/2002	Müllenmeister
D322,837 S	* 12/1991	Woodruff .....	D23/213	D463,015 S	9/2002	Chang
D323,545 S	* 1/1992	Ward .....	D23/213	D463,846 S	10/2002	Ko
D326,310 S	* 5/1992	Francoeur .....	D23/213	D464,113 S	10/2002	Lord et al.
5,131,428 A	7/1992	Bory		D464,121 S	10/2002	Storti et al.
D329,688 S	9/1992	Yost		D464,398 S	10/2002	Spangler et al.
5,224,509 A	7/1993	Tanaka et al.		D465,007 S	10/2002	Spangler et al.
D339,853 S	9/1993	Higgins et al.		D465,554 S	11/2002	Spangler et al.
5,243,717 A	9/1993	Yasuo		D465,556 S	11/2002	Ouyoung
D341,873 S	* 11/1993	Allen et al. ....	D23/238	D466,196 S	11/2002	Otero et al.
D343,445 S	1/1994	Allen et al.		D469,518 S	1/2003	Bates et al.
D344,575 S	2/1994	Hill et al.		D470,925 S	2/2003	Blomstrom
D346,645 S	5/1994	Hill et al.		6,513,787 B1	2/2003	Jeromson et al.
D347,466 S	5/1994	Kolada et al.		6,517,720 B1	2/2003	Aldred et al.
D348,510 S	7/1994	Gottwald		D471,962 S	3/2003	Spangler et al.
D349,755 S	8/1994	Altman		D472,609 S	4/2003	Marshall
D349,756 S	8/1994	Altman		D473,928 S	4/2003	Lord et al.
D349,757 S	8/1994	Altman		D477,054 S	7/2003	Schönherr et al.
D353,876 S	12/1994	Delabie et al.		D480,784 S	10/2003	Hunt
D356,631 S	3/1995	Kolada		6,631,730 B1	10/2003	Bloom et al.
D361,624 S	8/1995	Fabian		6,691,340 B2	2/2004	Honda et al.
D361,826 S	8/1995	Mine		D487,500 S	3/2004	Blattner
D362,899 S	10/1995	Jans		D487,923 S	3/2004	Fraser et al.
D363,763 S	* 10/1995	Starck .....	D23/243	D488,540 S	4/2004	Ouyoung
5,465,749 A	11/1995	Sauter et al.		D490,880 S	6/2004	Lin
D366,517 S	* 1/1996	Doughty et al. ....	D23/242	D491,633 S	6/2004	Ouyoung
D367,518 S	2/1996	Bavoso		D491,637 S	6/2004	Lin
D368,301 S	* 3/1996	Lobermeier .....	D23/238	D491,638 S	6/2004	Lin
D368,302 S	* 3/1996	Doughty et al. ....	D23/241	6,817,379 B2	11/2004	Perla et al.
D368,303 S	3/1996	Lobermeier		6,918,400 B2	7/2005	Buchner et al.
D369,651 S	5/1996	Saadi et al.		D510,978 S	10/2005	Kulig
D371,827 S	7/1996	Jans		D511,201 S	11/2005	Kulig et al.
5,555,912 A	9/1996	Saadi et al.		D511,562 S	11/2005	Ouyoung
D378,123 S	2/1997	Warshawsky		D511,817 S	11/2005	Ouyoung
D379,849 S	6/1997	Hill et al.		D512,132 S	11/2005	Spangler
D381,396 S	7/1997	Paterson et al.		D514,667 S	2/2006	Kemp
D384,396 S	9/1997	Doughty		7,003,818 B2	2/2006	McNerney et al.
5,669,417 A	9/1997	Lian-Jie		D517,659 S	3/2006	Ouyoung
5,694,653 A	12/1997	Harald		D517,663 S	3/2006	Wolf
5,746,244 A	5/1998	Woolley et al.		D518,877 S	4/2006	Kulig
5,803,120 A	9/1998	Bertoli		D524,424 S	7/2006	Schaffeld et al.
5,855,356 A	1/1999	Fait		D526,699 S	8/2006	Kulig
D405,165 S	2/1999	Kolada		7,082,966 B2	8/2006	Kuo
D406,880 S	3/1999	Doughty		7,083,156 B2	8/2006	Jost et al.
D407,801 S	4/1999	Kolada		D529,584 S	10/2006	Buschmann
5,960,490 A	10/1999	Pitsch		D530,397 S	10/2006	Buschmann
D416,312 S	11/1999	Kolada		D530,787 S	10/2006	Yoshioka et al.
5,979,489 A	11/1999	Pitsch		D536,425 S	2/2007	VanMarcke
5,984,262 A	11/1999	Parsons et al.		7,174,577 B2	2/2007	Jost et al.
D421,642 S	3/2000	Ko		7,174,581 B2	2/2007	McNerney
D423,650 S	4/2000	Fabian		D541,907 S	5/2007	Qing
D423,651 S	4/2000	Fabian		7,228,874 B2	6/2007	Bolderheij et al.
D424,169 S	5/2000	Snyder et al.		7,232,111 B2	6/2007	McDaniel et al.
D425,970 S	5/2000	Milrud et al.		7,415,991 B2	8/2008	Meehan et al.
D427,666 S	7/2000	Wei et al.		D580,021 S	11/2008	Chu et al.
6,082,407 A	7/2000	Paterson et al.		D582,516 S	12/2008	Lobermeier et al.
D431,285 S	9/2000	Paterson et al.		D582,517 S	12/2008	Lobermeier et al.
D434,477 S	11/2000	Meda		D589,119 S	3/2009	Oh
6,170,098 B1	1/2001	Pitsch		7,537,195 B2	5/2009	McDaniel et al.
6,189,569 B1	2/2001	Calhoun		D606,631 S	12/2009	Jones et al.
6,202,980 B1	3/2001	Vincent et al.		7,631,372 B2	12/2009	Marty et al.
D441,847 S	5/2001	Oliver		D607,977 S	1/2010	Lin
D446,843 S	8/2001	Martinez		7,647,939 B2	1/2010	Lin
D447,219 S	8/2001	Donath et al.		7,650,653 B2	1/2010	Johnson et al.
D448,452 S	9/2001	Pitsch et al.		7,690,395 B2	4/2010	Jonte et al.
				D617,876 S	6/2010	Williams et al.
				7,735,519 B2	6/2010	Lin
				D620,083 S	7/2010	Zhang
				D624,630 S	9/2010	Matsuura et al.

(56)

**References Cited**

U.S. PATENT DOCUMENTS

7,828,013 B2 11/2010 Lin  
 7,871,057 B2 1/2011 Shimizu et al.  
 D636,851 S 4/2011 Yu  
 D636,852 S \* 4/2011 Yu ..... D23/238  
 D637,271 S 5/2011 Lin  
 7,956,480 B2 6/2011 Onodera et al.  
 7,992,590 B2 8/2011 Meehan et al.  
 D646,758 S \* 10/2011 Gessi ..... D23/238  
 8,046,850 B2 11/2011 Chang  
 8,051,507 B2 11/2011 Lin  
 8,104,512 B2 1/2012 Nelson et al.  
 D657,025 S \* 4/2012 Slothower et al. .... D23/255  
 D657,439 S 4/2012 Lammel et al.  
 8,185,984 B2 5/2012 Meehan et al.  
 8,220,492 B2 7/2012 Lin  
 D706,398 S \* 6/2014 Flowers et al. .... D23/238  
 2003/0093857 A1 5/2003 Paterson et al.  
 2005/0133100 A1 6/2005 Bolderheij  
 2006/0085908 A1 4/2006 Daly  
 2006/0237072 A1 10/2006 Lee  
 2007/0204925 A1 9/2007 Bolderheij et al.  
 2008/0093572 A1 4/2008 Wu

2008/0099089 A1 5/2008 Yang  
 2008/0196159 A1 8/2008 Lee  
 2008/0289697 A1 11/2008 Lin  
 2009/0078325 A1 3/2009 Lin  
 2009/0188995 A1 7/2009 Onodera et al.  
 2009/0272445 A1 11/2009 Shimizu et al.  
 2009/0277520 A1 \* 11/2009 Wang ..... 137/801  
 2010/0275359 A1 11/2010 Guler et al.  
 2011/0133105 A1 6/2011 Simon  
 2011/0272938 A1 11/2011 Lin  
 2014/0116553 A1 \* 5/2014 Schoolcraft et al. .... 137/801

OTHER PUBLICATIONS

Moen Valve—Illustrated Parts, Aug. 2008.  
 Moen M-Pact Common Valve System, <http://pro.moen.com/about/impact>.  
 Partial International Search Report for related Application No. PCT/US2013/067555, dated Feb. 5, 2014.  
 Moen Sensor Products, [http://pro.moen.com/search?search\\_scope=0&search\\_terms=sensor](http://pro.moen.com/search?search_scope=0&search_terms=sensor), Admitted Prior Art.  
 IKOOL Faucets, <http://ikool.com.tw/products.php?ma=Survex>, Admitted Prior Art.

\* cited by examiner

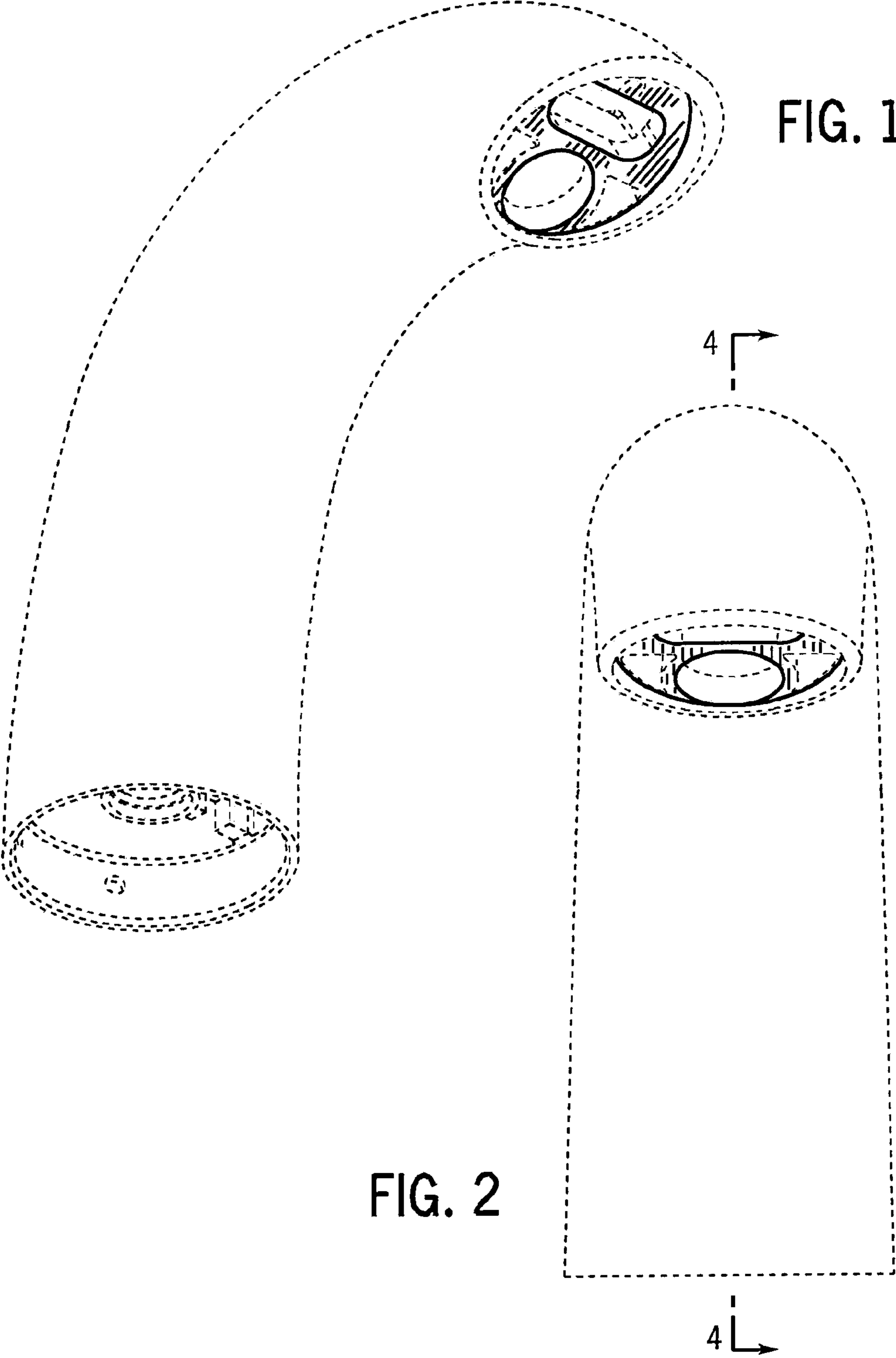
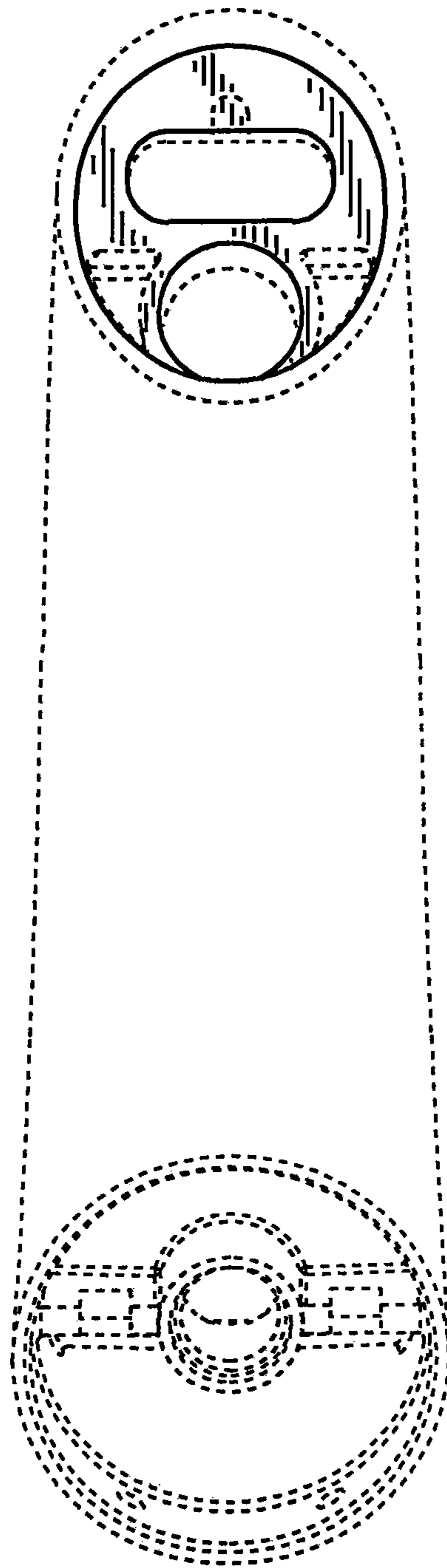


FIG. 1

FIG. 2

FIG. 3



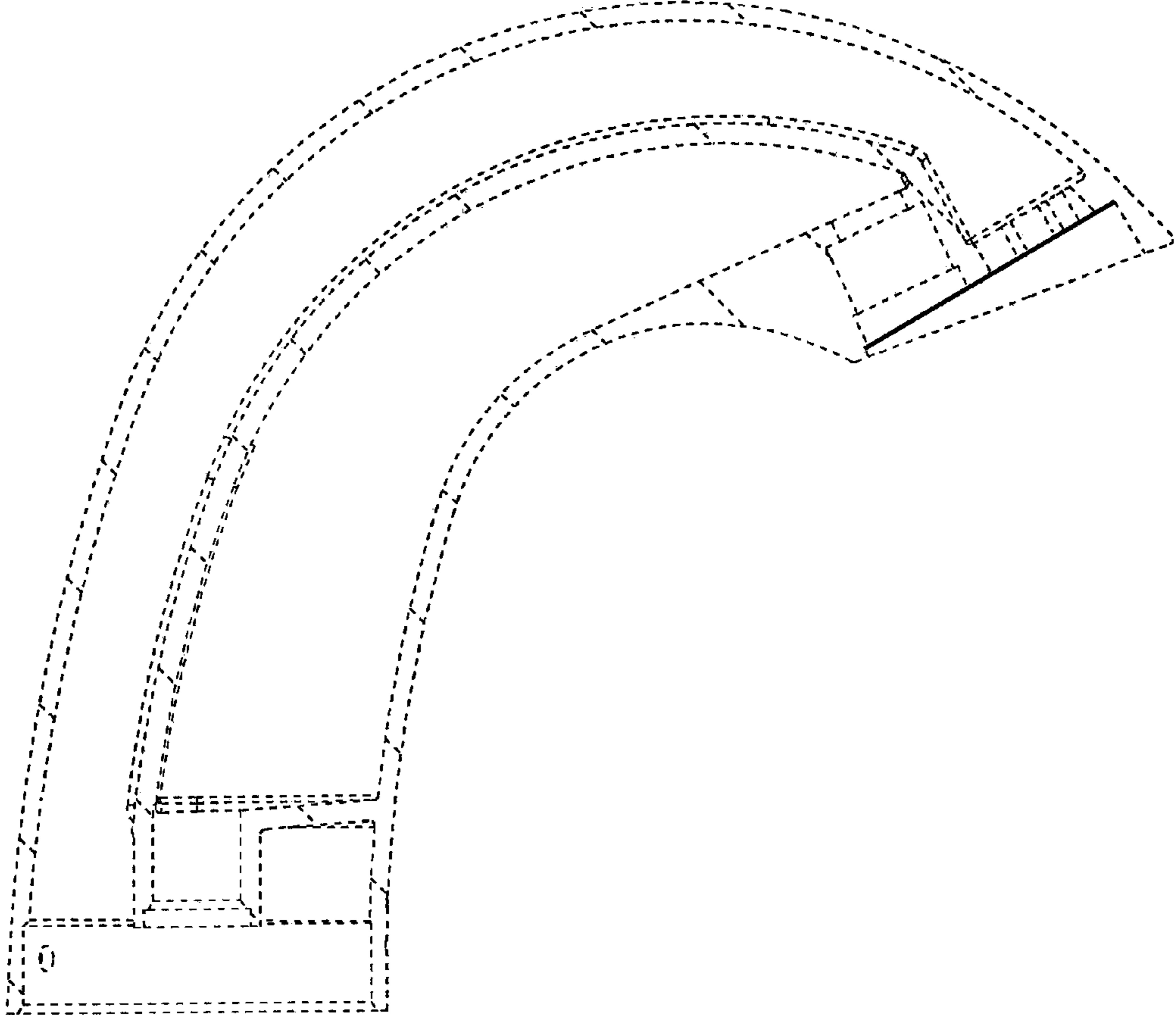


FIG. 4