



US00D719639S

(12) **United States Design Patent**
Pagliai

(10) **Patent No.:** **US D719,639 S**

(45) **Date of Patent:** **** Dec. 16, 2014**

(54) **BACKPACK SPRAYER**

D670,788 S * 11/2012 Plantz et al. D23/225

(76) **Inventor:** **Ferro Pagliai**, Santa Monica, CA (US)

* cited by examiner

(**) **Term:** **14 Years**

Primary Examiner — Robin V Webster

(21) **Appl. No.:** **29/413,830**

(74) *Attorney, Agent, or Firm* — Dickstein Shapiro LLP

(22) **Filed:** **Feb. 21, 2012**

(51) **LOC (10) Cl.** **23-01**

(52) **U.S. Cl.**
USPC **D23/225**

(58) **Field of Classification Search**
CPC A62C 15/00; B05B 9/08; B05B 9/04
USPC D23/202, 213, 225; 222/383.1, 372,
222/465.1, 137; 239/152–154, 332–3
See application file for complete search history.

(57) **CLAIM**

The ornamental design for a backpack sprayer, as shown and described.

DESCRIPTION

FIG. 1 is a back perspective view of a backpack sprayer showing my new design;
FIG. 2 is a top view of the backpack sprayer of FIG. 1;
FIG. 3 is a back view of the backpack sprayer of FIG. 1;
FIG. 4 is a left side view of the backpack sprayer of FIG. 1;
FIG. 5 is a front view of the backpack sprayer of FIG. 1;
FIG. 6 is a right side view of the backpack sprayer of FIG. 1;
and,
FIG. 7 is a bottom view of the backpack sprayer of FIG. 1.

(56) **References Cited**

U.S. PATENT DOCUMENTS

D639,389 S * 6/2011 Plantz et al. D23/225
D664,236 S * 7/2012 Hudson et al. D23/225

1 Claim, 4 Drawing Sheets

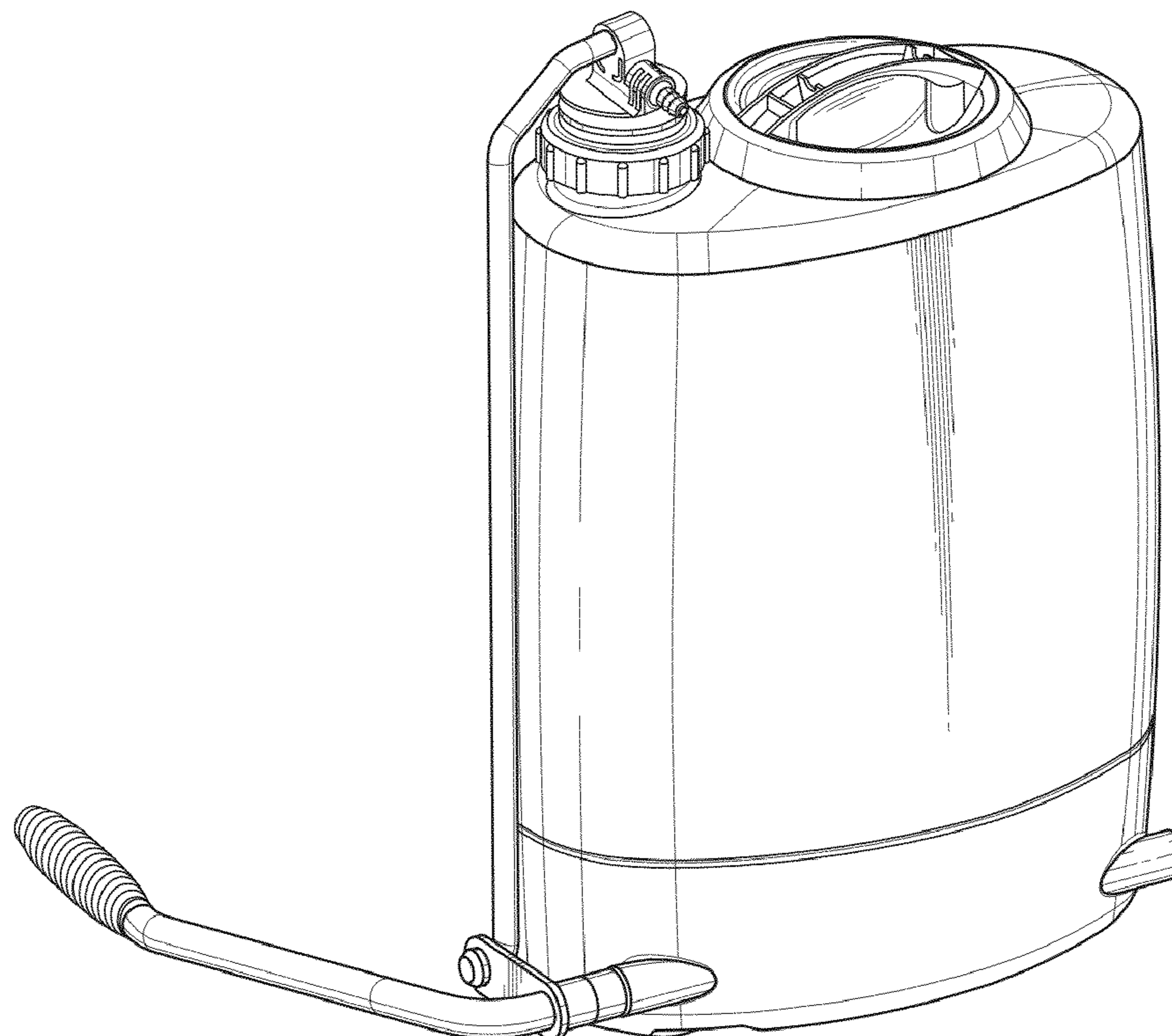


FIG. 1

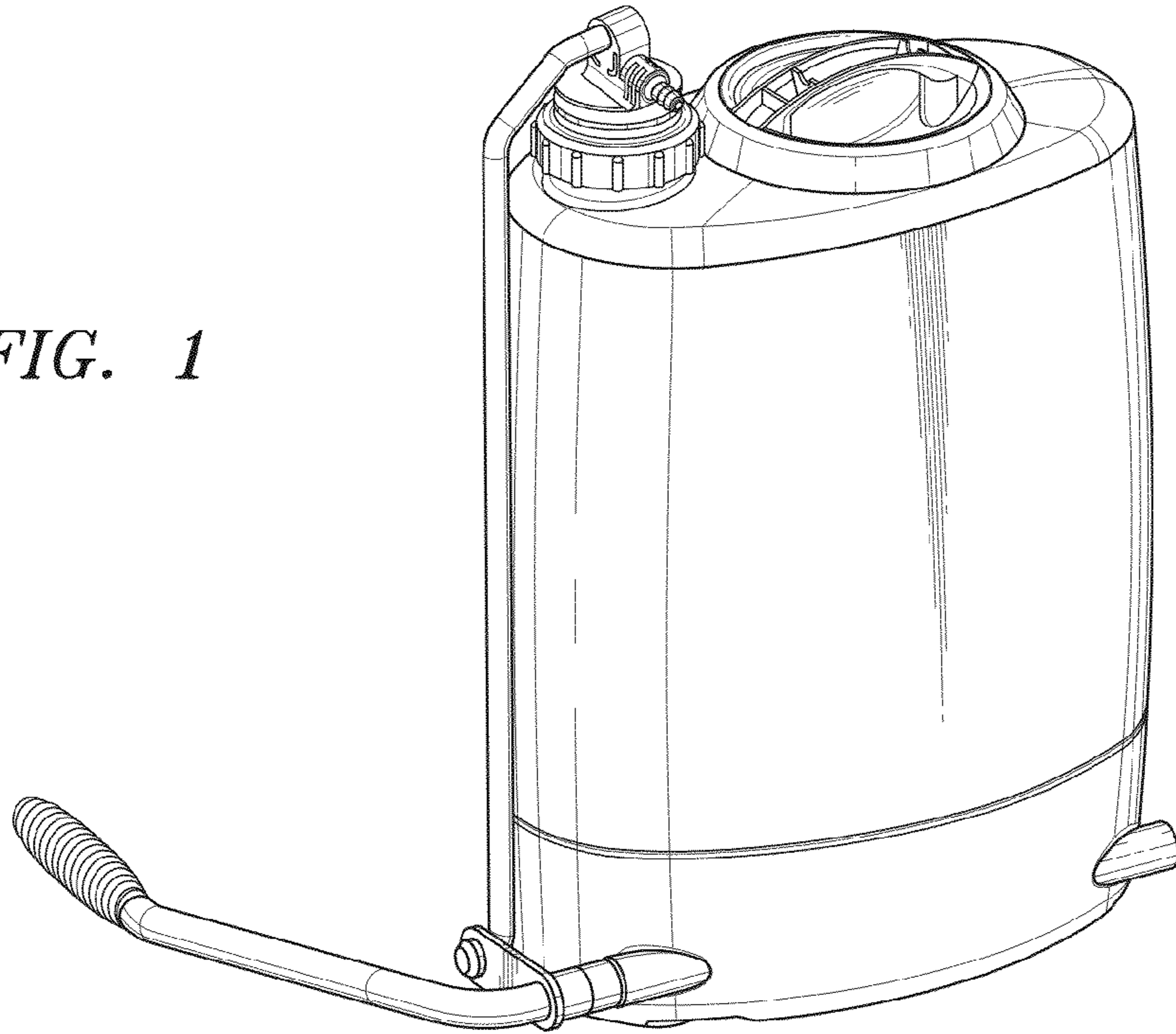
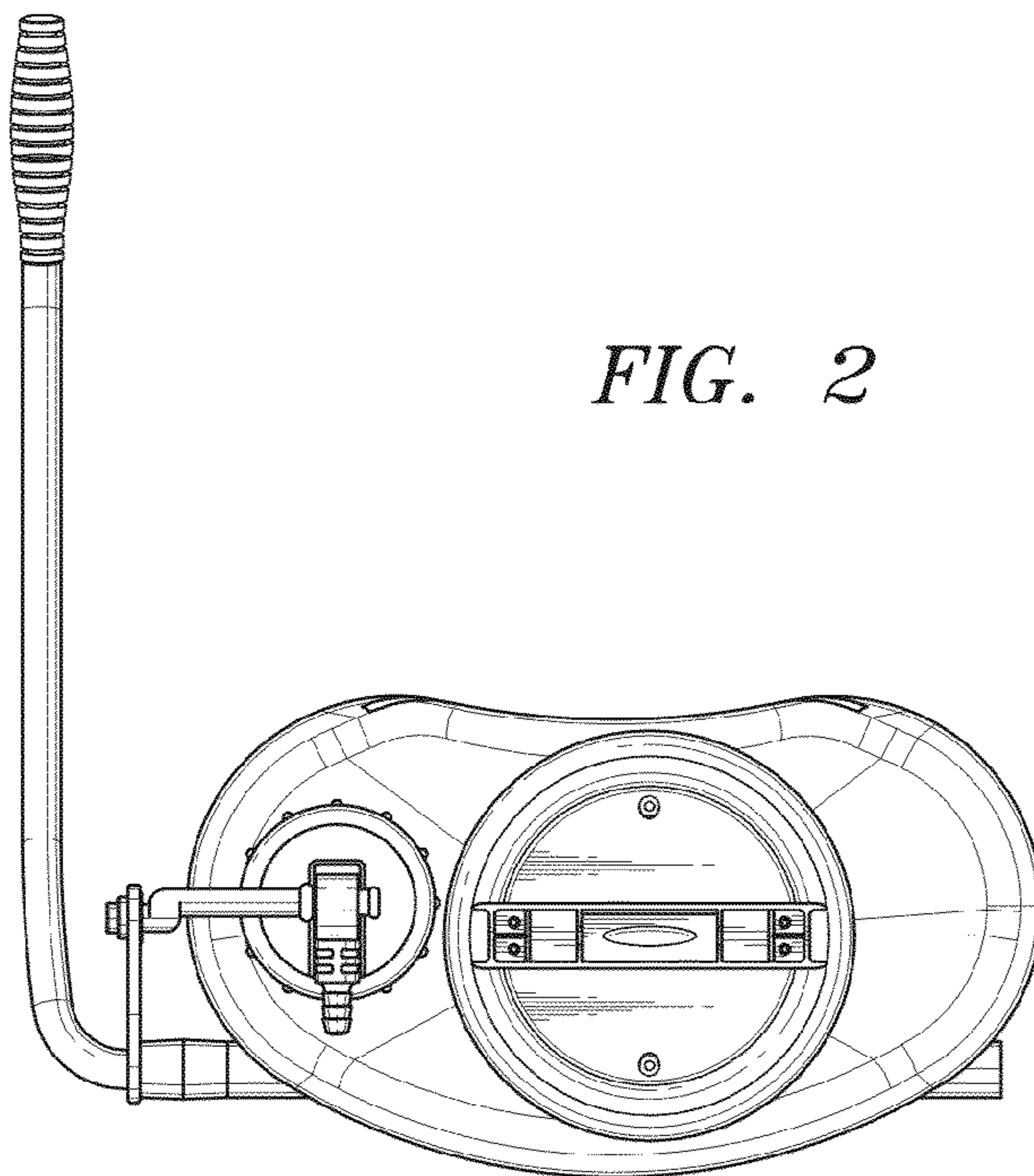


FIG. 2



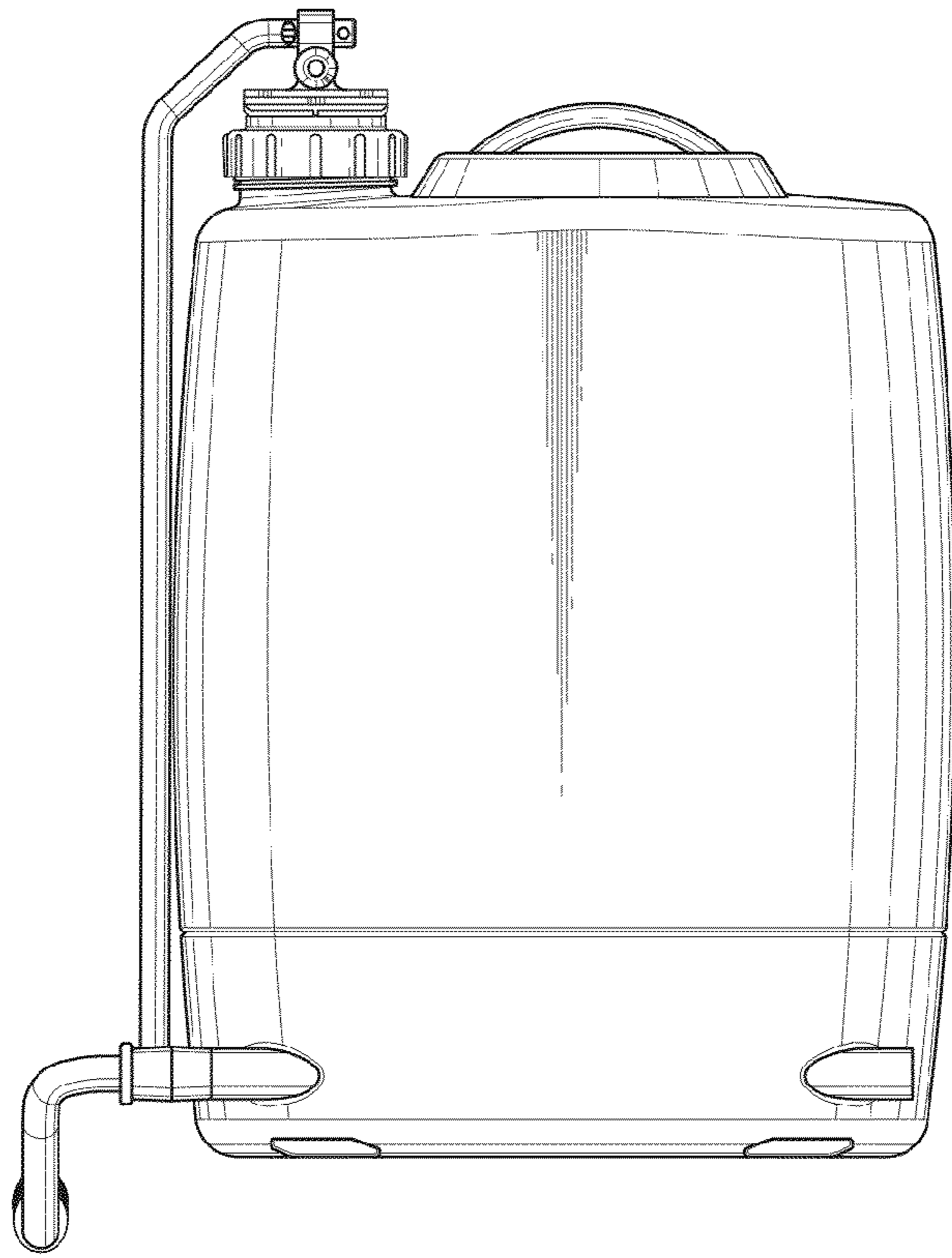


FIG. 3

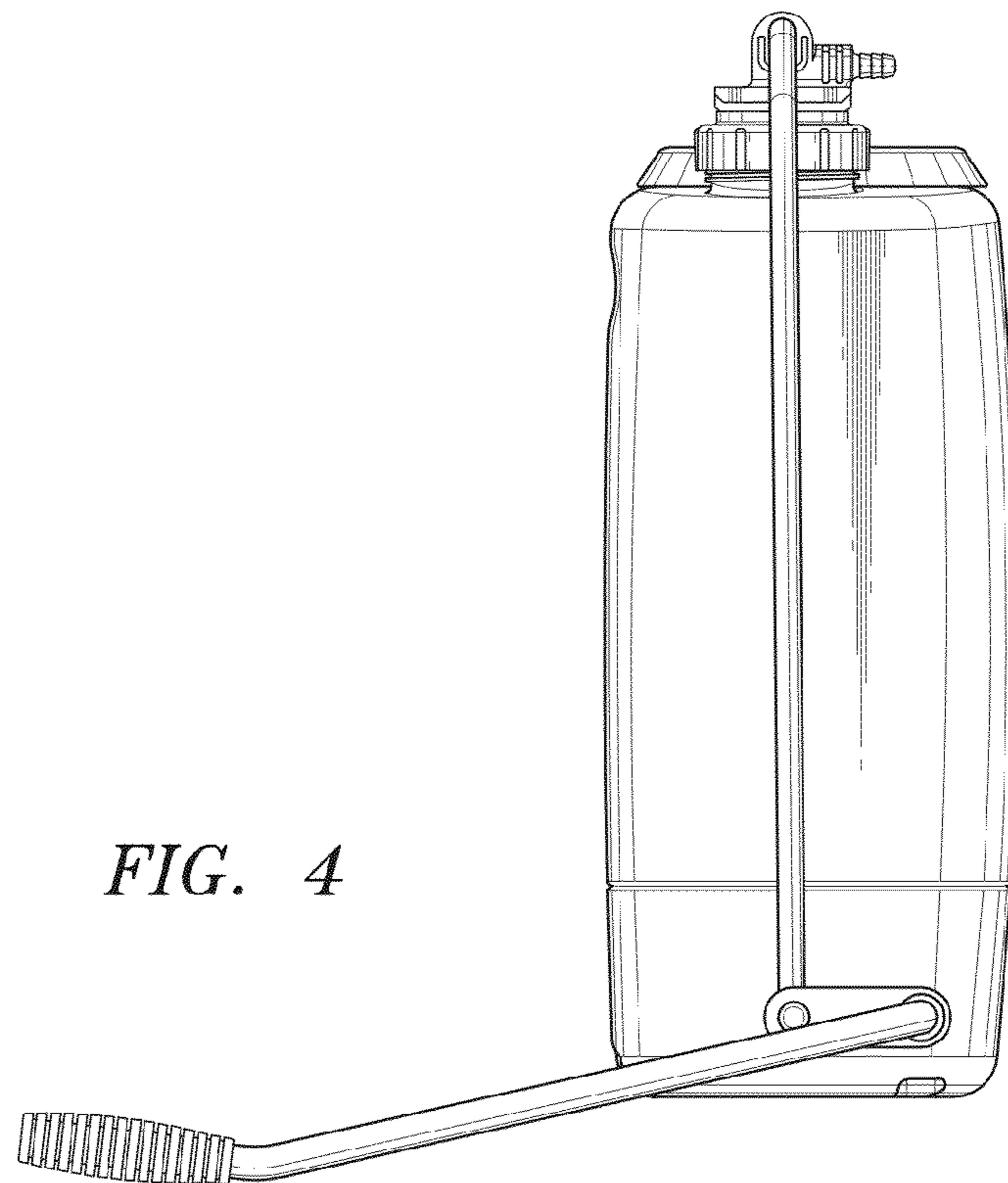


FIG. 4

FIG. 5

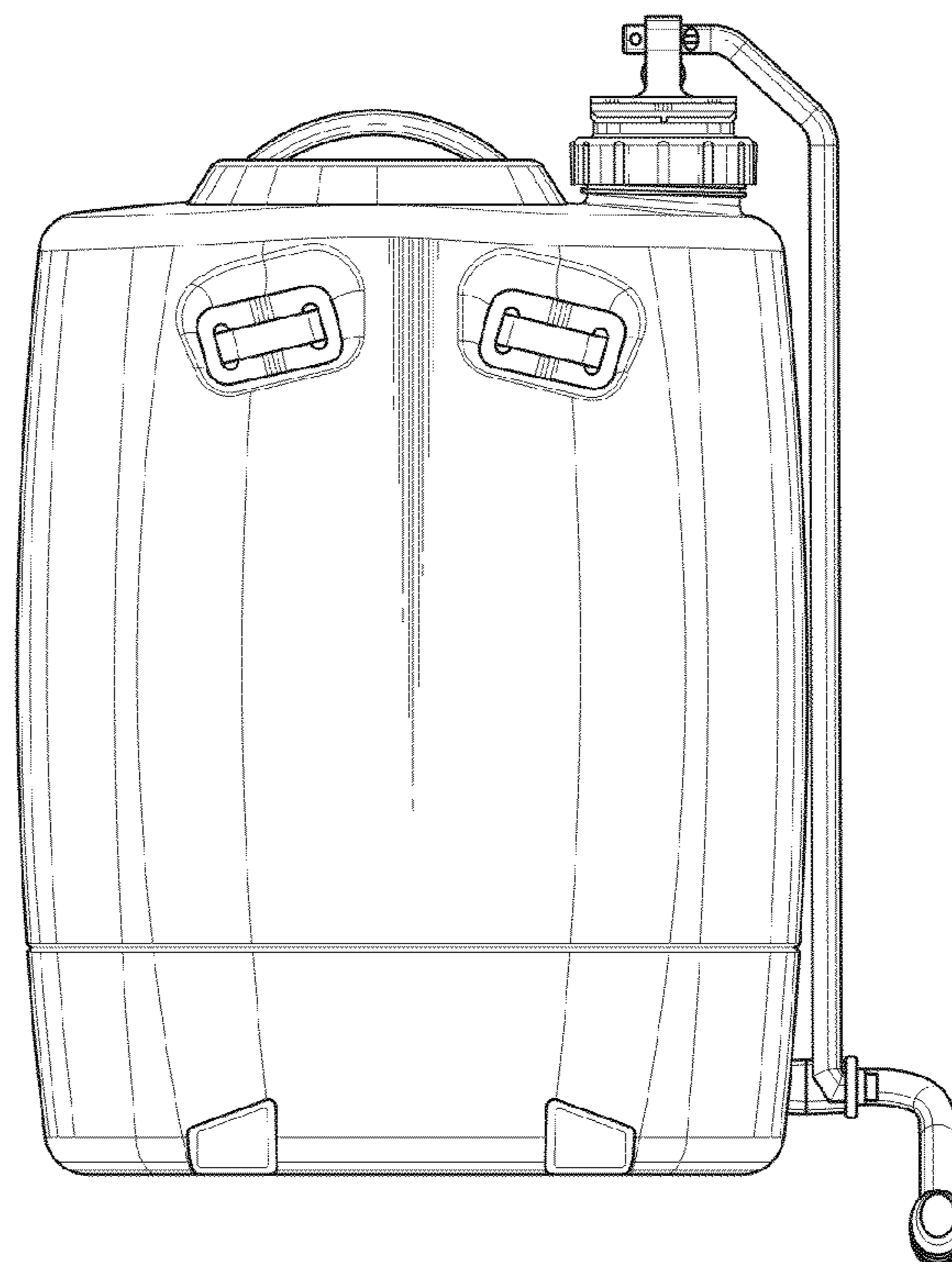
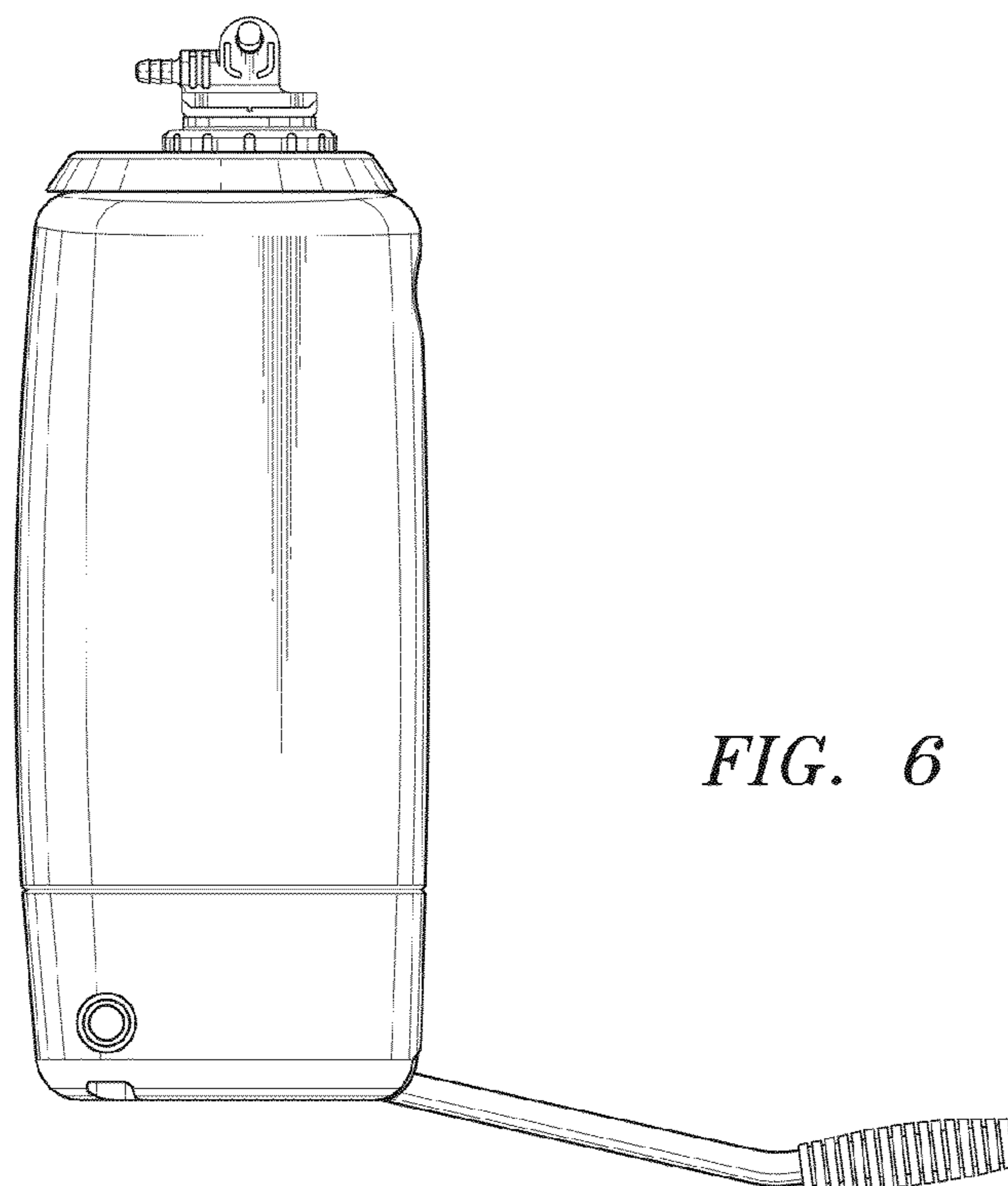


FIG. 6



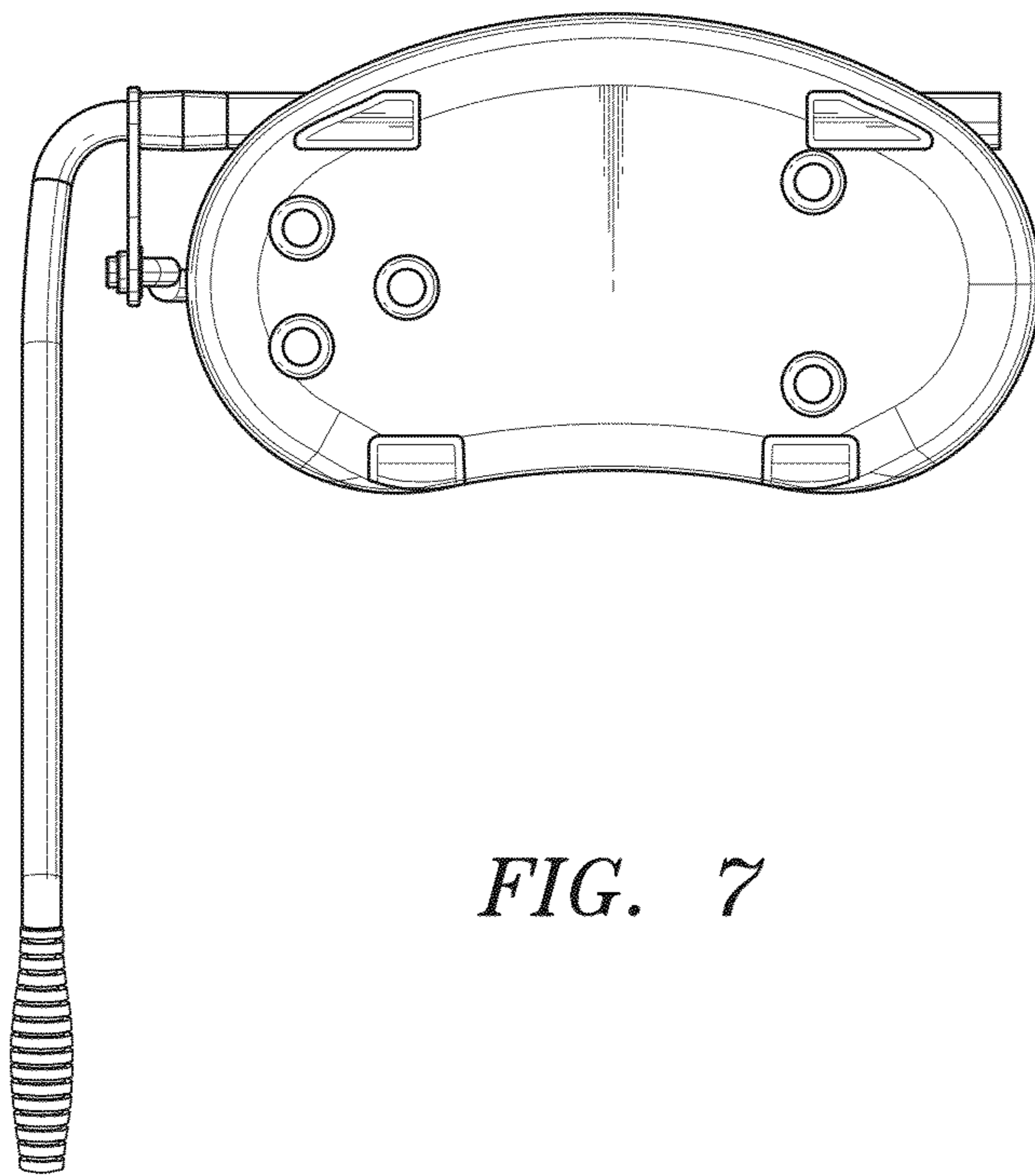


FIG. 7