



US00D719637S

(12) **United States Design Patent**
Pagliai

(10) **Patent No.:** **US D719,637 S**

(45) **Date of Patent:** **** Dec. 16, 2014**

(54) **LID FOR A BACKPACK SPRAYER**

Primary Examiner — Robin V Webster

(76) Inventor: **Ferro Pagliai**, Santa Monica, CA (US)

(74) *Attorney, Agent, or Firm* — Dickstein Shapiro LLP

(**) Term: **14 Years**

(57) **CLAIM**

The ornamental design for a lid for a backpack sprayer, as shown and described.

(21) Appl. No.: **29/413,828**

DESCRIPTION

(22) Filed: **Feb. 21, 2012**

(51) **LOC (10) Cl.** **23-01**

(52) **U.S. Cl.**
USPC **D23/225**

(58) **Field of Classification Search**
CPC D62C 15/00; B05B 9/08; B05B 9/04
USPC D23/202, 213, 225; 222/383.1, 372,
222/465.1, 137; 239/152–154, 332–3
See application file for complete search history.

FIG. 1 is a back perspective view of a lid for a backpack sprayer showing my new design;
FIG. 2 is a back view of the lid for a backpack sprayer of FIG. 1;
FIG. 3 is a top view of the lid for a backpack sprayer of FIG. 1;
FIG. 4 is a front view of the lid for a backpack sprayer of FIG. 1;
FIG. 5 is a right side view of the lid for a backpack sprayer of FIG. 1;
FIG. 6 is a left side view of the lid for a backpack sprayer of FIG. 1; and,
FIG. 7 is a front perspective view of the lid for a backpack sprayer of FIG. 1.

The broken lines shown in the drawing are for illustrative purposes only and form no part of the claimed design. The unshown portion of the lid forms no part of the claimed design.

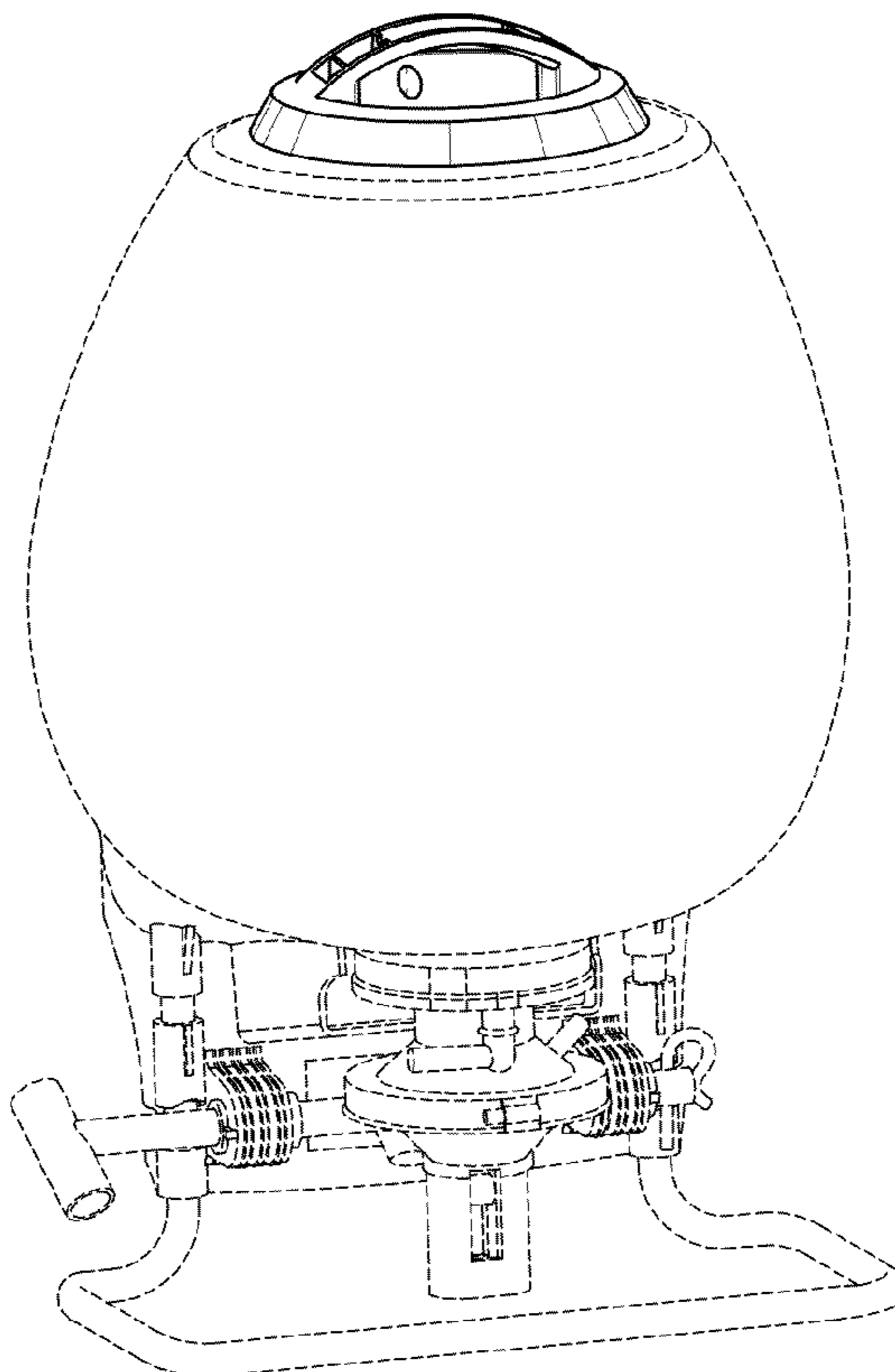
(56) **References Cited**

U.S. PATENT DOCUMENTS

| | | | | |
|----------------|---------|-----------------|-------|---------|
| D616,959 S * | 6/2010 | Wu | | D23/202 |
| 7,854,396 B2 * | 12/2010 | Wu | | 239/152 |
| D633,984 S * | 3/2011 | Plantz | | D23/225 |
| D672,848 S * | 12/2012 | Wirz Luchsinger | | D23/225 |
| D685,057 S * | 6/2013 | Wirz Luchsinger | | D23/225 |
| 8,616,466 B2 * | 12/2013 | Strauss et al. | | 239/154 |

* cited by examiner

1 Claim, 4 Drawing Sheets



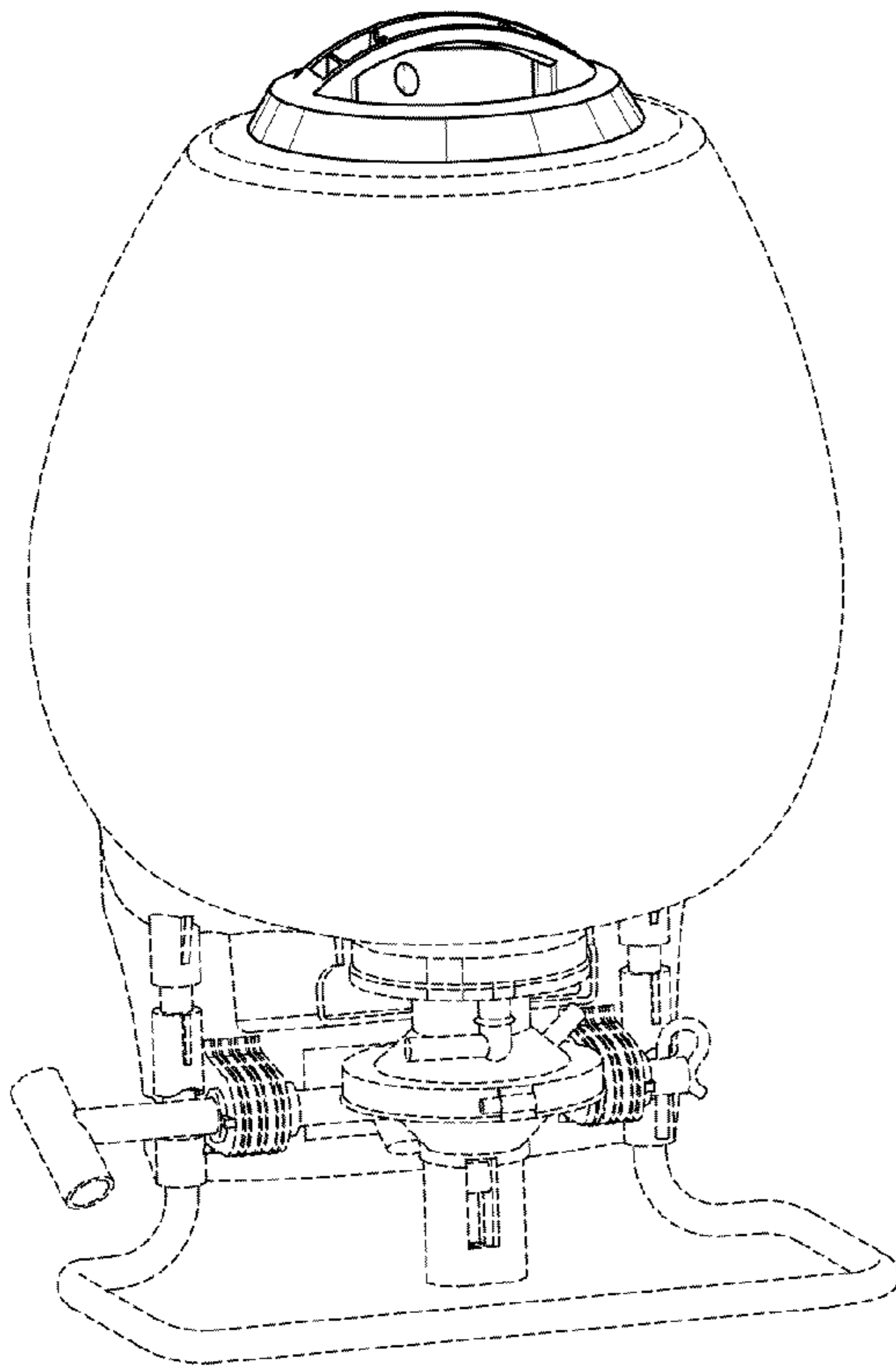


FIG. 1

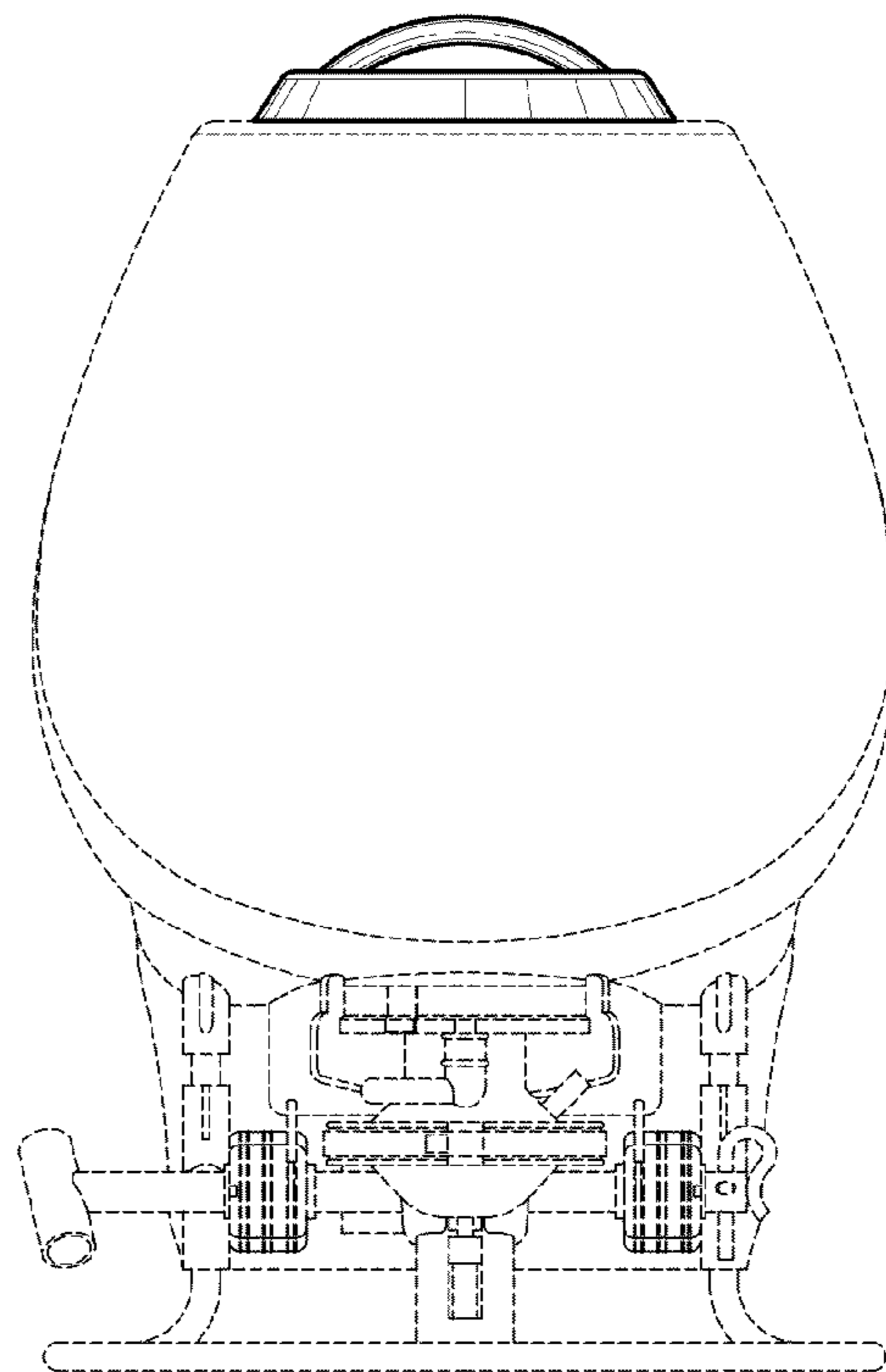


FIG. 2

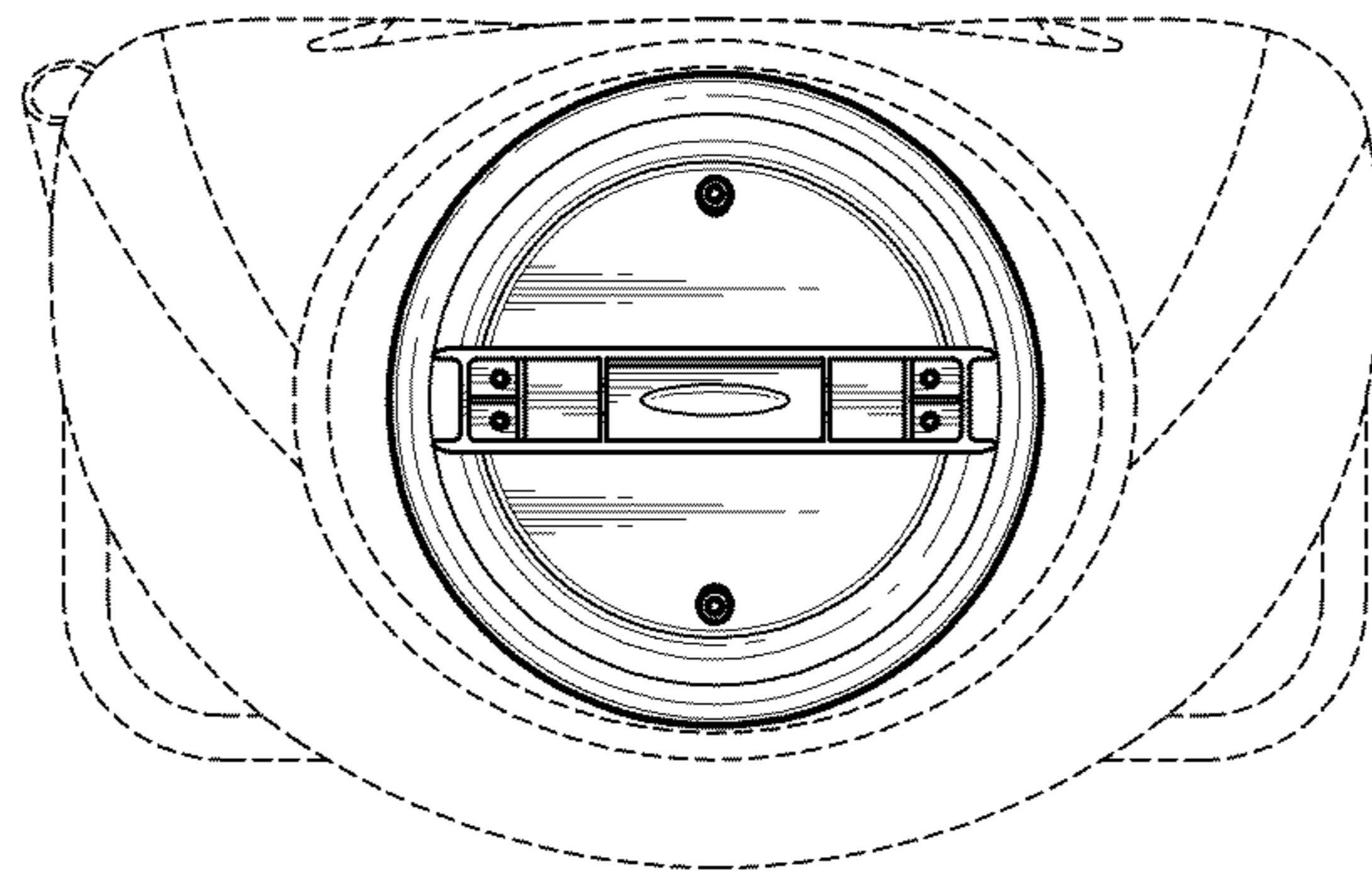


FIG. 3

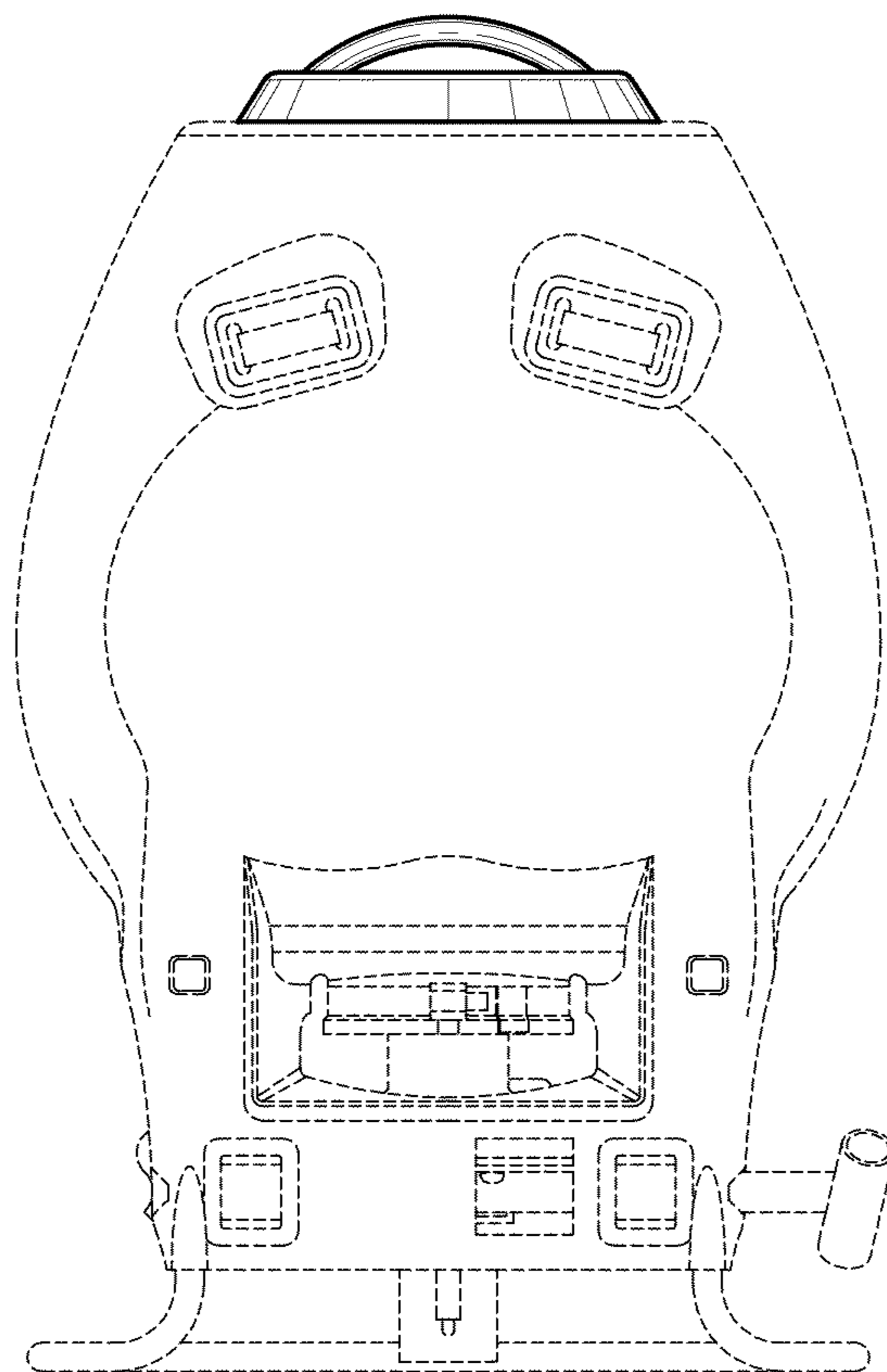


FIG. 4

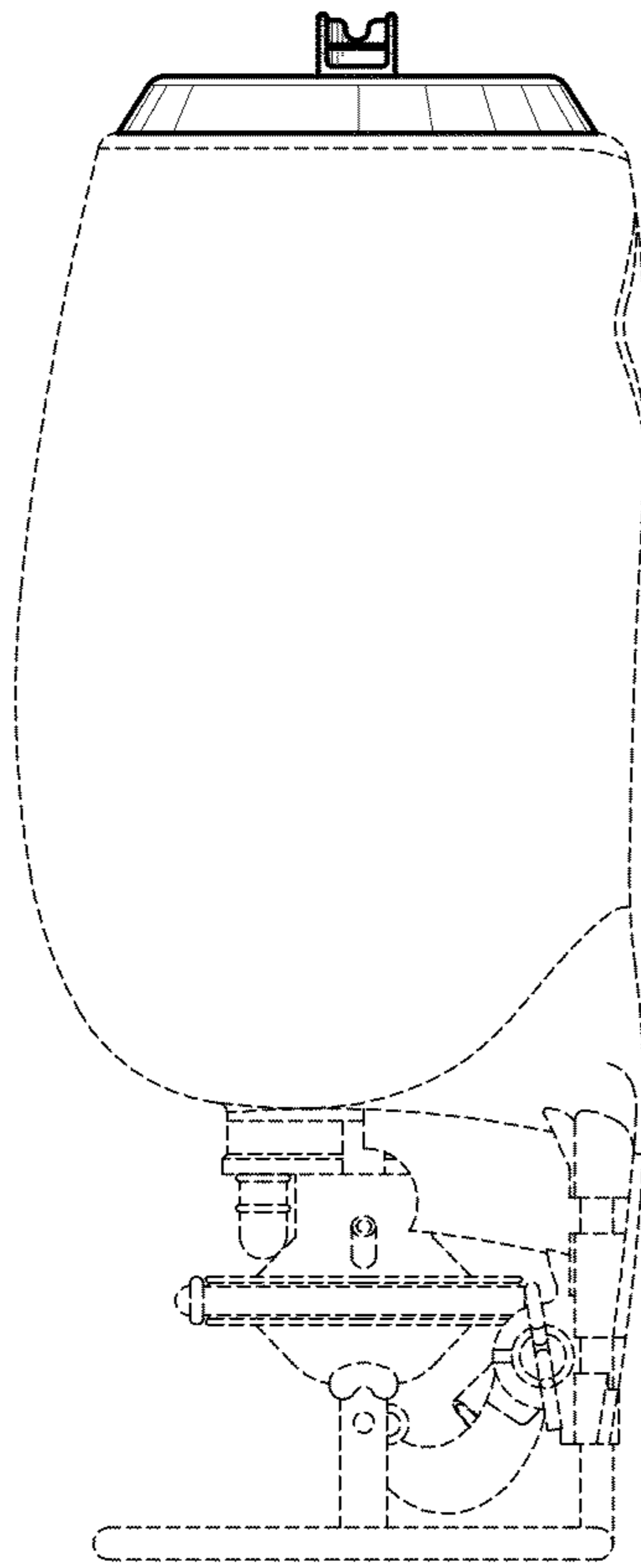


FIG. 5

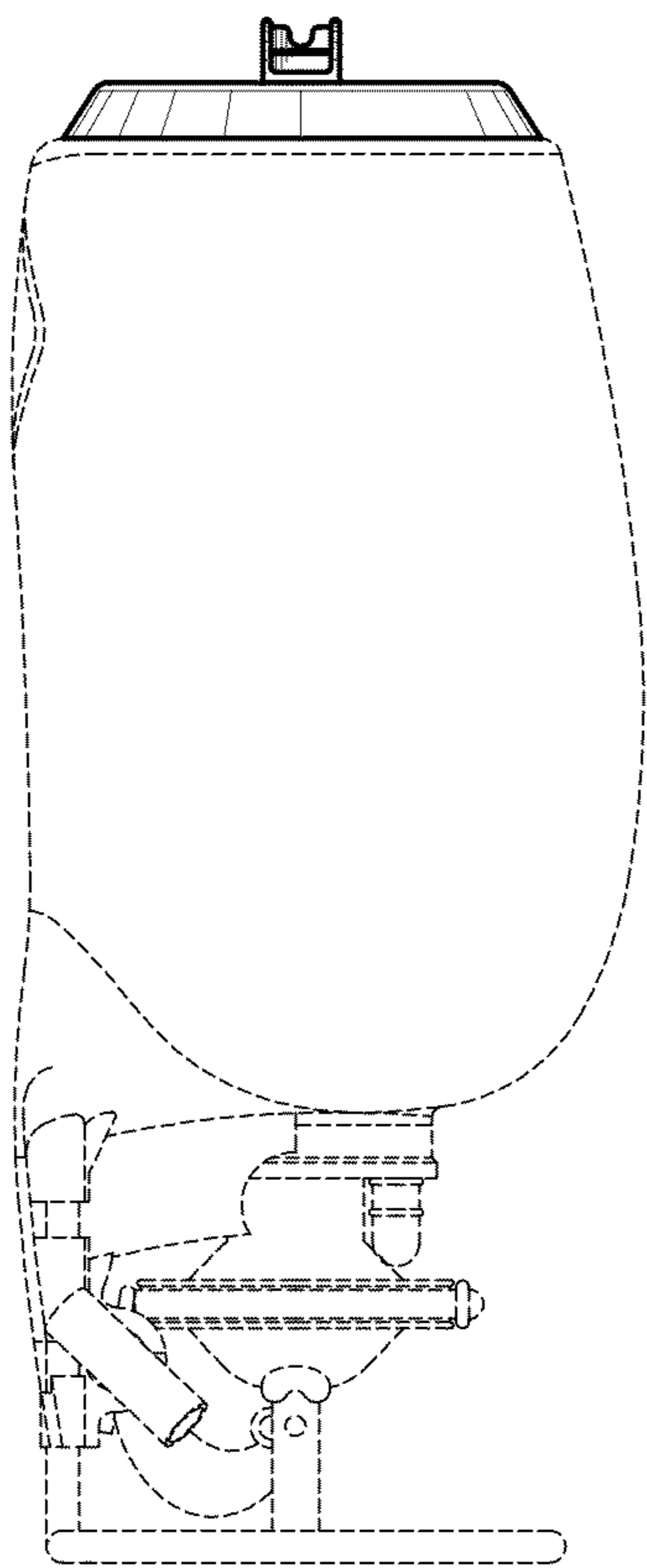


FIG. 6

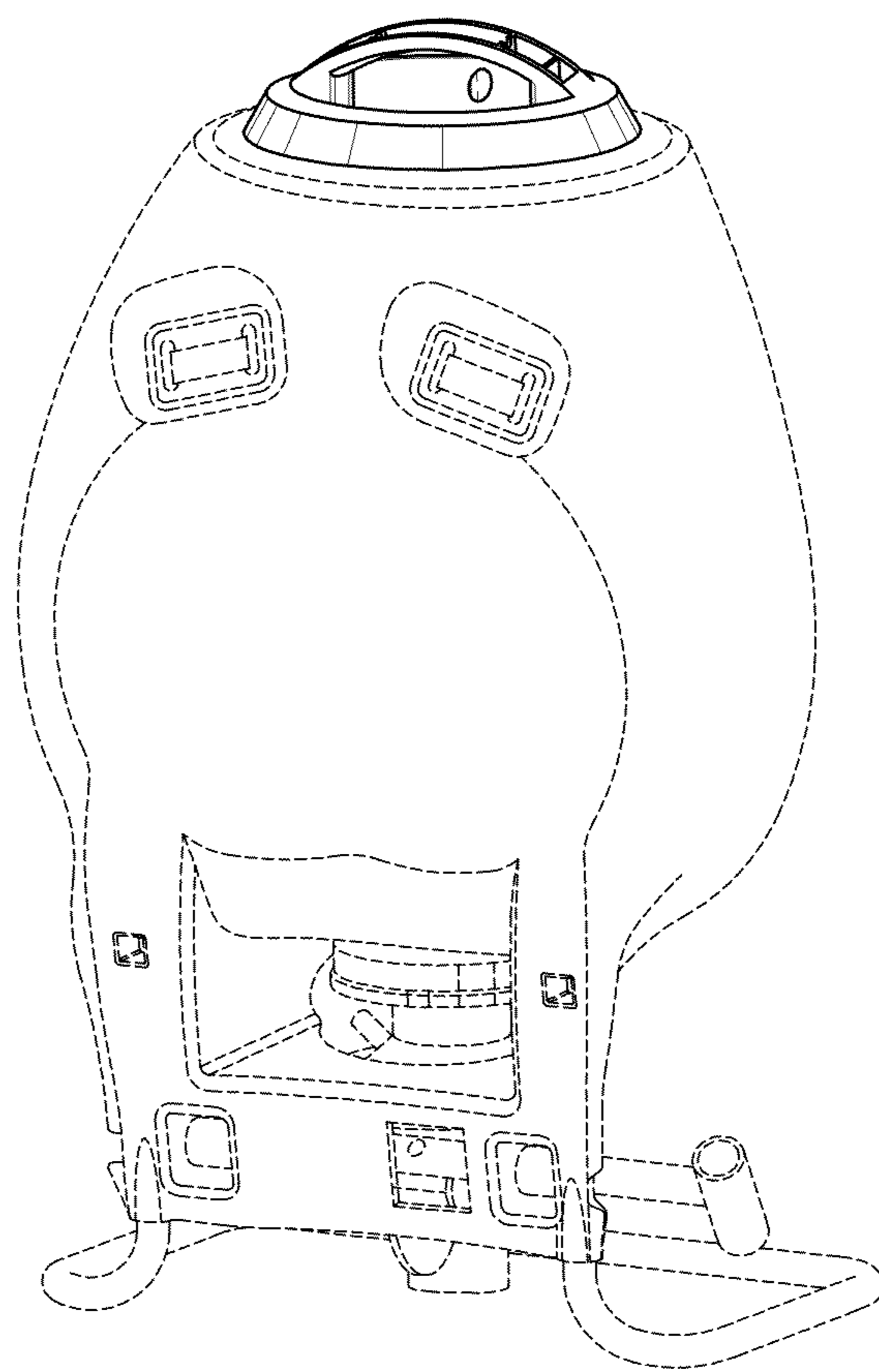


FIG. 7