



US00D719635S

(12) **United States Design Patent**  
**Reed**

(10) **Patent No.:** **US D719,635 S**

(45) **Date of Patent:** **\*\* Dec. 16, 2014**

(54) **FILTER HOUSING**

(71) Applicant: **Mike Reed**, Iowa Park, TX (US)

(72) Inventor: **Mike Reed**, Iowa Park, TX (US)

(\*\*) Term: **14 Years**

(21) Appl. No.: **29/466,641**

(22) Filed: **Sep. 10, 2013**

(51) **LOC (10) Cl.** ..... **23-01**

(52) **U.S. Cl.**  
USPC ..... **D23/209**

(58) **Field of Classification Search**  
CPC . B01D 35/30; B01D 35/306; B01D 2201/307  
USPC ..... D23/207-209; 210/335, 338, 435, 440,  
210/443, 450  
See application file for complete search history.

(56) **References Cited**

**U.S. PATENT DOCUMENTS**

D316,740 S \* 5/1991 Kopf ..... D23/209  
D331,098 S \* 11/1992 Boehme ..... D23/209  
D331,447 S \* 12/1992 Boehme et al. .... D23/209

D493,207 S \* 7/2004 Ueda et al. .... D23/209  
D561,299 S \* 2/2008 Baba et al. .... D23/209  
D561,300 S \* 2/2008 Baba et al. .... D23/209  
D600,775 S \* 9/2009 Schmitt et al. .... D23/209  
D630,296 S \* 1/2011 Quintel et al. .... D23/209

\* cited by examiner

*Primary Examiner* — Robin V Webster

(74) *Attorney, Agent, or Firm* — Edward L. White

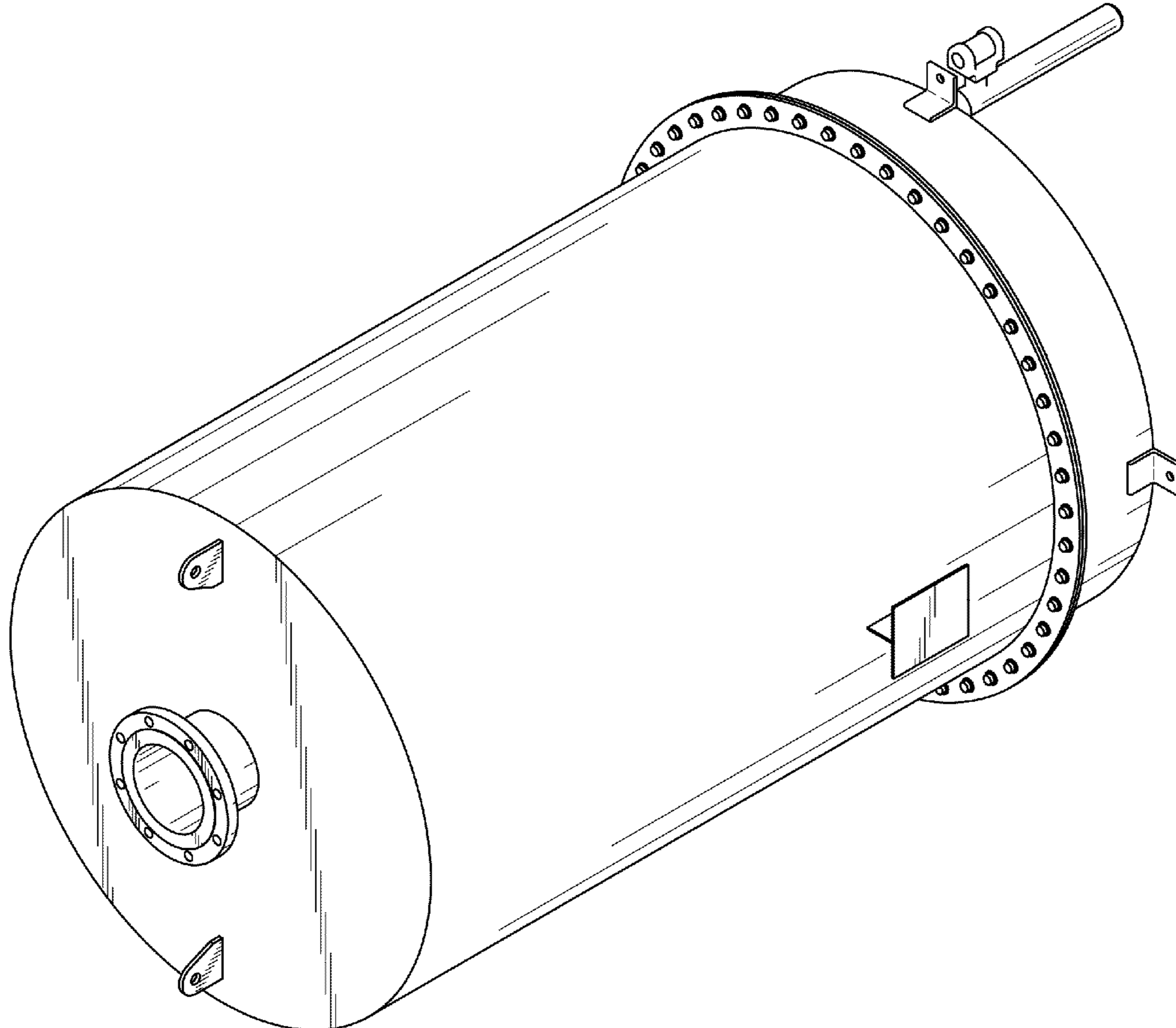
(57) **CLAIM**

The ornamental design for a filter housing, as shown and described.

**DESCRIPTION**

FIG. 1 is a perspective view of the filter housing.  
FIG. 2 is a first side view thereof.  
FIG. 3 is a second side view thereof.  
FIG. 4 is a top view thereof.  
FIG. 5 is a bottom view thereof.  
FIG. 6 is a first end view thereof; and,  
FIG. 7 is a second end view thereof.

**1 Claim, 6 Drawing Sheets**



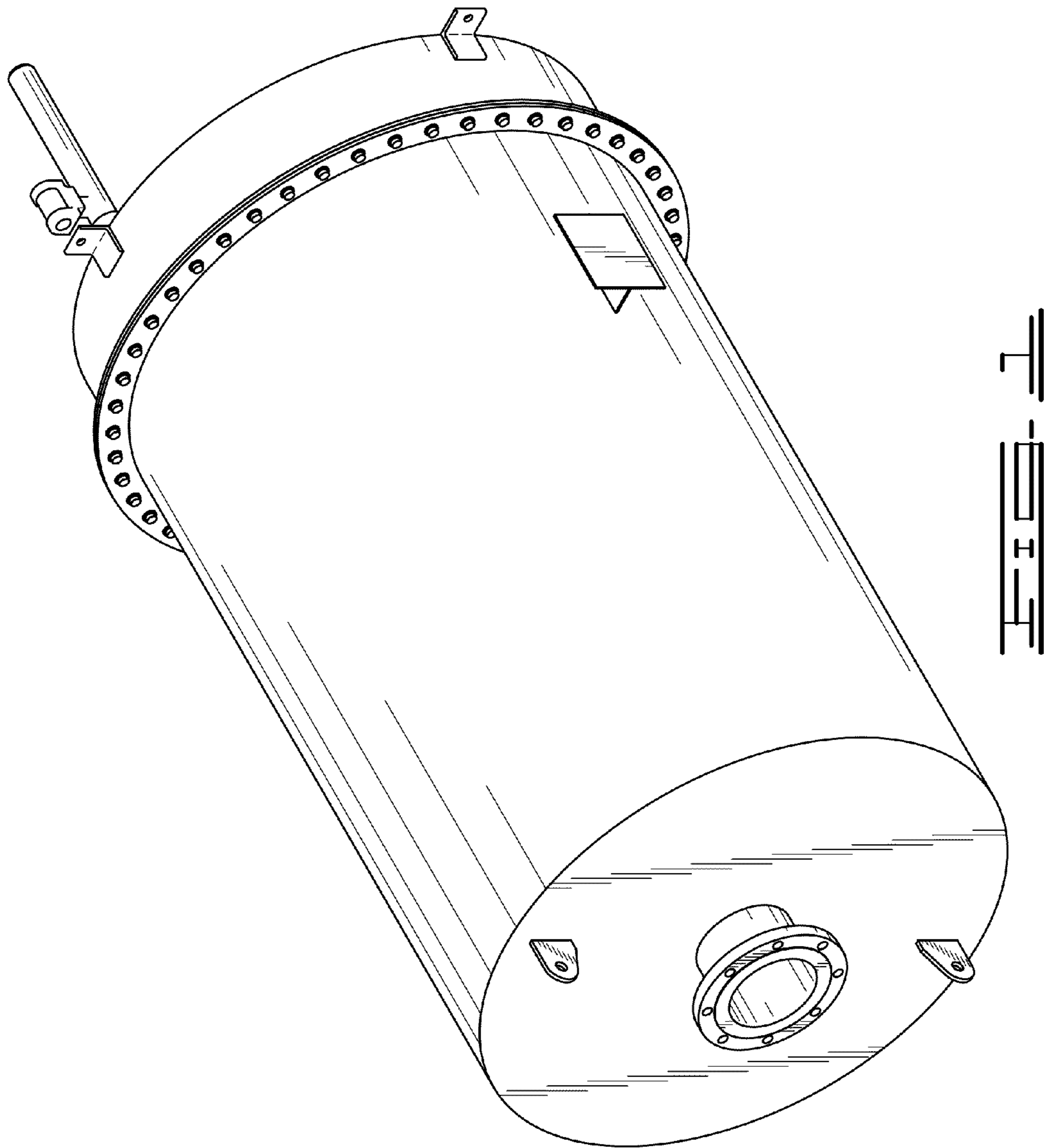
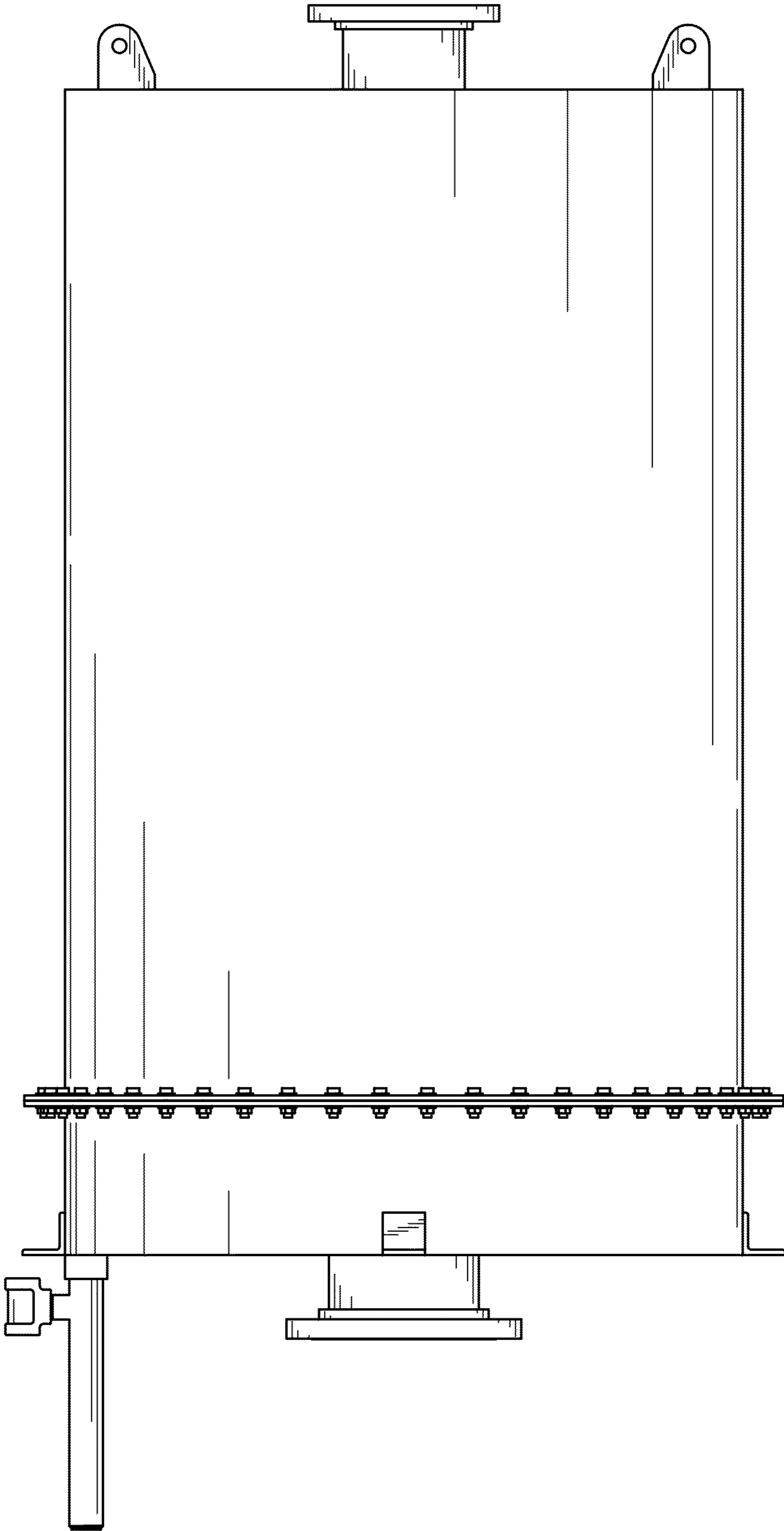


FIG. 1



N  
I  
T  
E

