



US00D719634S

(12) **United States Design Patent**
Reed

(10) **Patent No.:** **US D719,634 S**

(45) **Date of Patent:** **** Dec. 16, 2014**

(54) **FILTER HOUSING**

(71) Applicant: **Mike Reed**, Iowa Park, TX (US)

(72) Inventor: **Mike Reed**, Iowa Park, TX (US)

(**) Term: **14 Years**

(21) Appl. No.: **29/466,630**

(22) Filed: **Sep. 10, 2013**

(51) **LOC (10) Cl.** **23-01**

(52) **U.S. Cl.**
USPC **D23/209**

(58) **Field of Classification Search**
CPC . B01D 35/30; B01D 35/306; B01D 2201/307
USPC D23/207-209; 210/335, 338, 435, 440,
210/443, 450
See application file for complete search history.

(56) **References Cited**

U.S. PATENT DOCUMENTS

D316,740 S * 5/1991 Kopf D23/209
D331,098 S * 11/1992 Boehme D23/209
D331,447 S * 12/1992 Boehme et al. D23/209

D493,207 S * 7/2004 Ueda et al. D23/209
D561,299 S * 2/2008 Baba D23/209
D561,300 S * 2/2008 Baba D23/209
D600,775 S * 9/2009 Schmitt et al. D23/209
D630,296 S * 1/2011 Quintel et al. D23/209

* cited by examiner

Primary Examiner — Robin V Webster

(74) *Attorney, Agent, or Firm* — Edward L. White

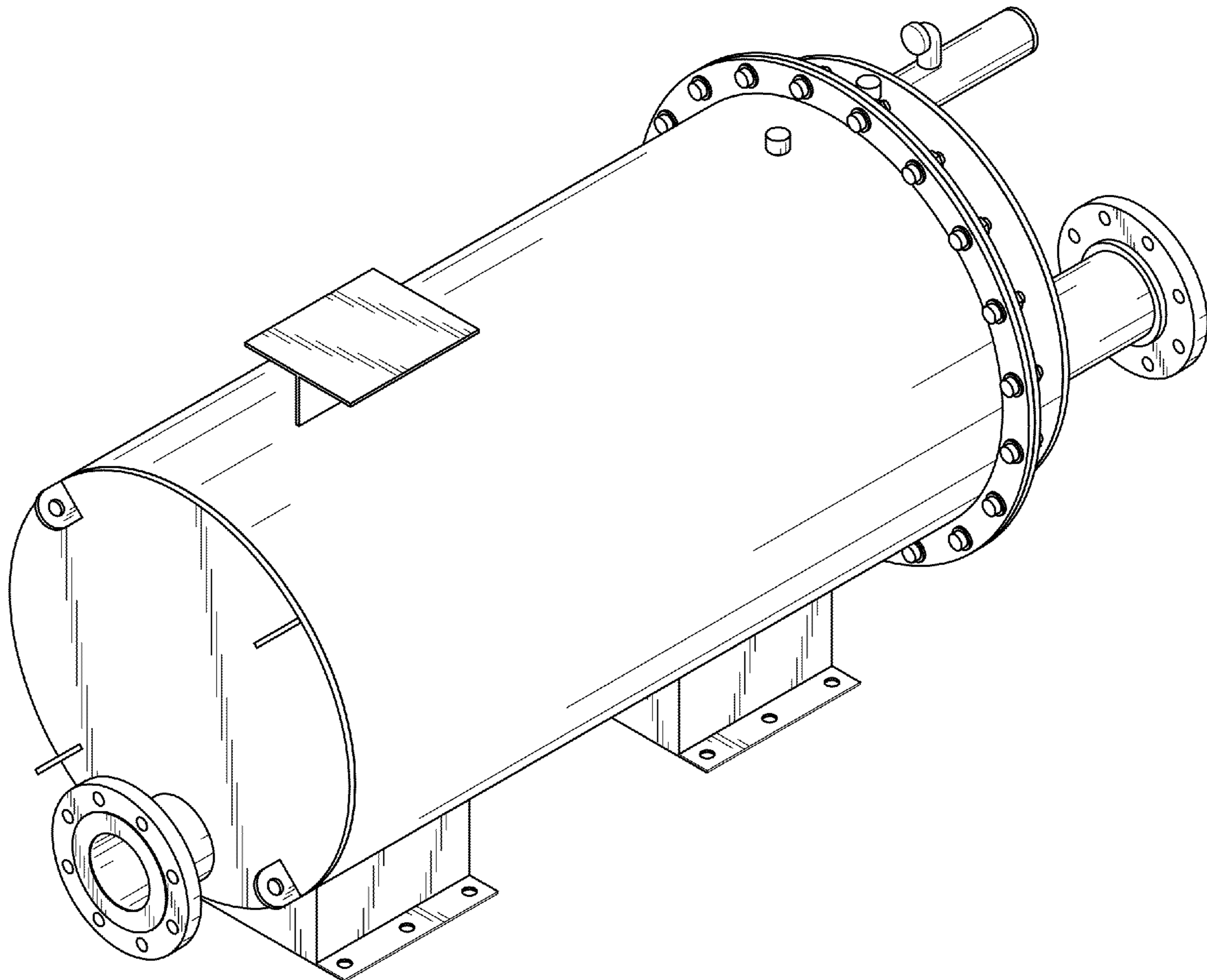
(57) **CLAIM**

The ornamental design for a filter housing, as shown and described.

DESCRIPTION

FIG. 1 is a perspective view of the filter housing.
FIG. 2 is a first side view thereof.
FIG. 3 is a second side view thereof.
FIG. 4 is a top view thereof.
FIG. 5 is a bottom view thereof.
FIG. 6 is a first end view thereof; and,
FIG. 7 is a second end view thereof.

1 Claim, 6 Drawing Sheets



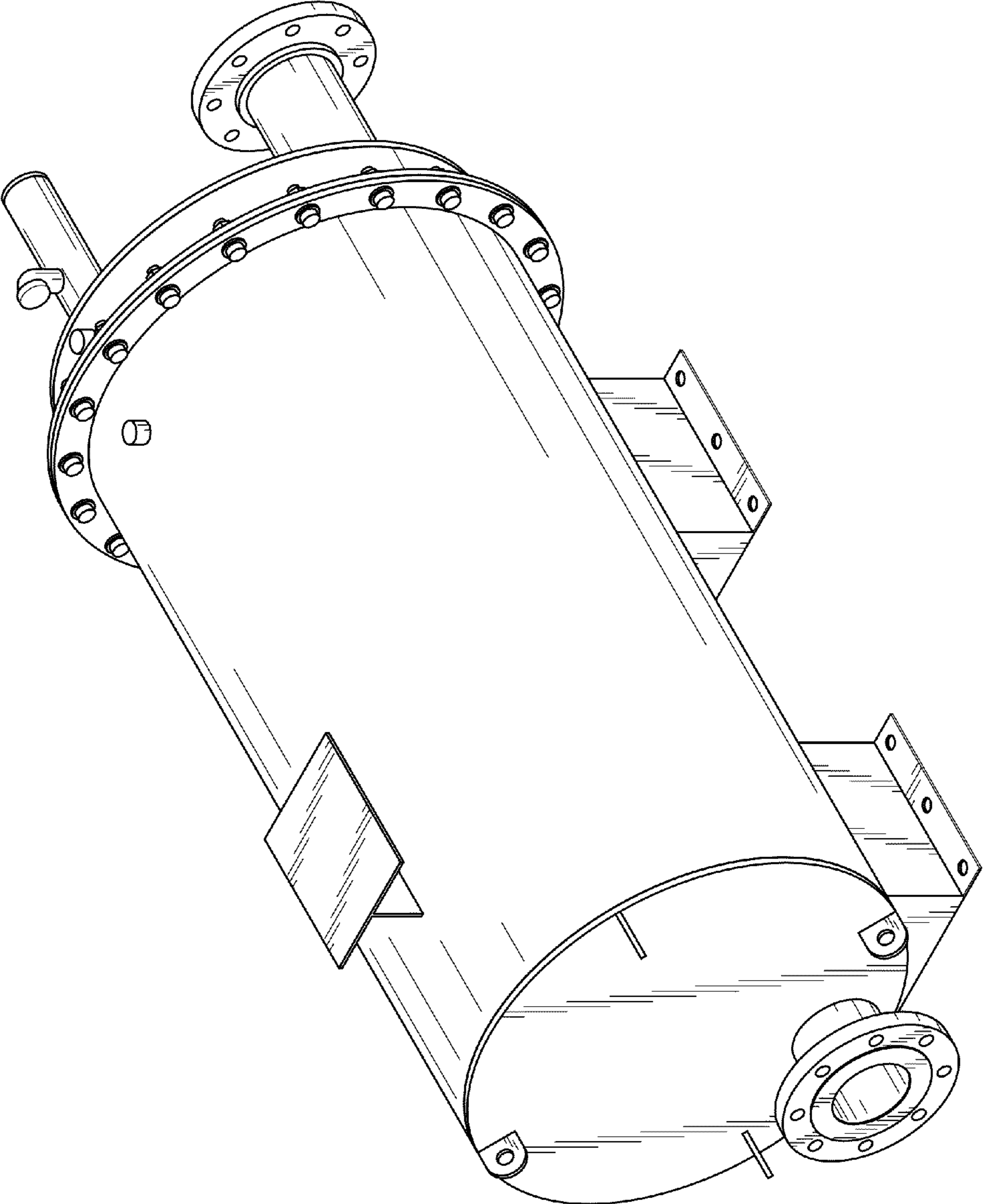


FIG. 1

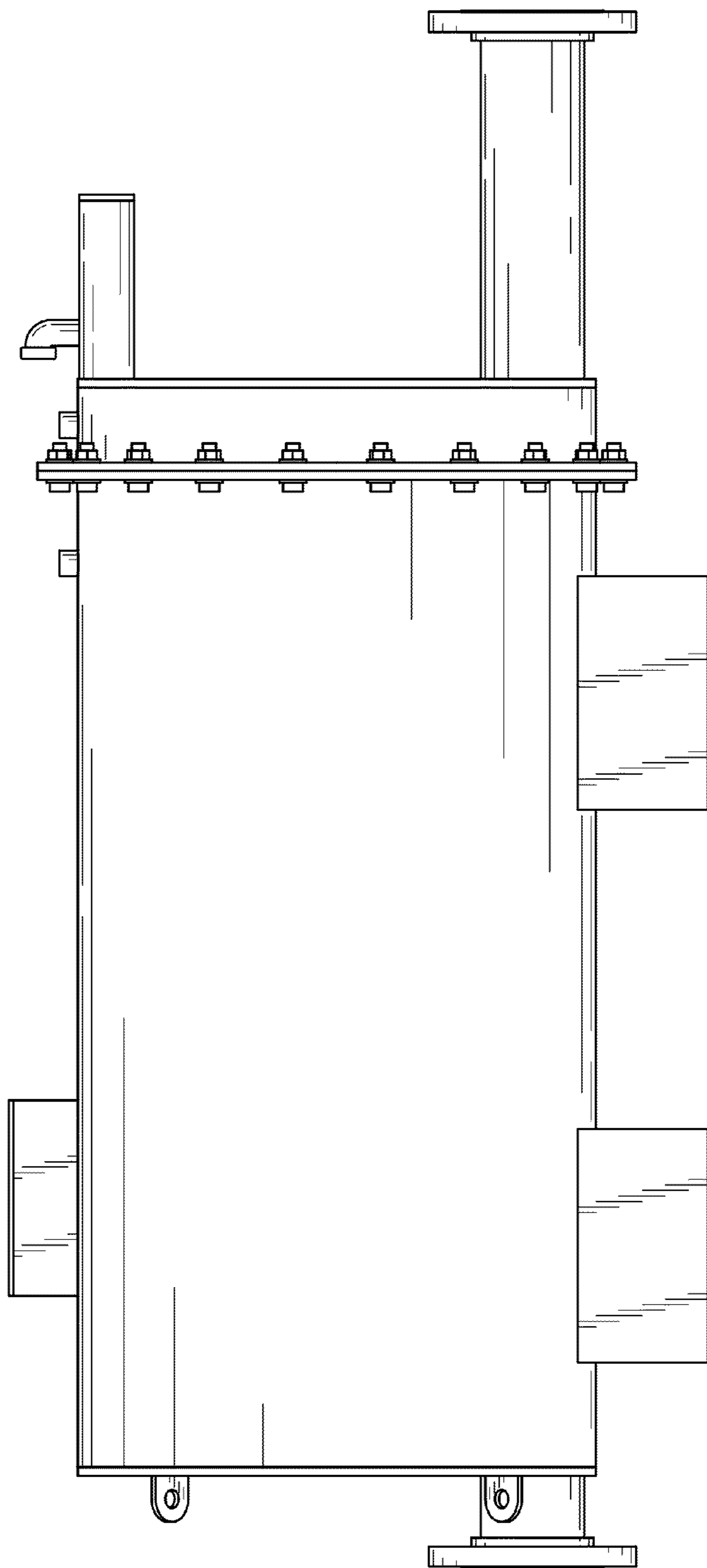


FIG. 2

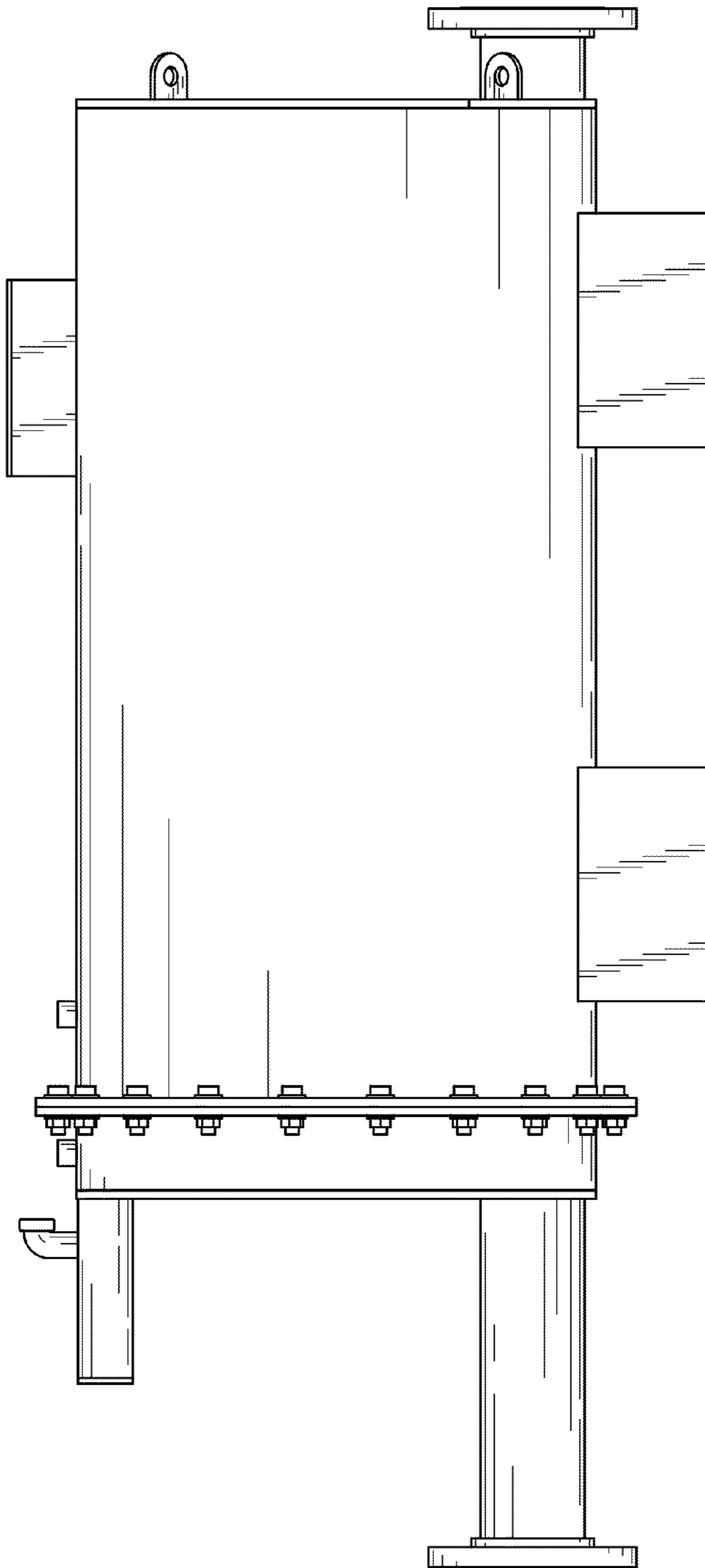


FIG. 3

