



US00D719629S

(12) **United States Design Patent**  
**Beukes**

(10) **Patent No.:** **US D719,629 S**

(45) **Date of Patent:** **\*\* Dec. 16, 2014**

- (54) **GOLF TRAINING APPARATUS**
- (71) Applicant: **Inditron Imports CC, Alrode (ZA)**
- (72) Inventor: **Philip Michael Beukes, Pretoria (ZA)**
- (73) Assignee: **Inditron Imports CC (ZA)**
- (\*\*) Term: **14 Years**
- (21) Appl. No.: **29/450,873**
- (22) Filed: **Mar. 25, 2013**
- (51) **LOC (10) Cl.** ..... **21-02**
- (52) **U.S. Cl.**  
USPC ..... **D21/791**
- (58) **Field of Classification Search**  
CPC ..... A63B 69/0059; A63B 69/3623; A63B  
69/3608  
USPC ..... D21/789, 791; 473/212–214, 276;  
D29/120.1; D24/190  
See application file for complete search history.

|                |         |            |       |           |
|----------------|---------|------------|-------|-----------|
| D379,678 S *   | 6/1997  | Rosado     | ..... | D29/120.1 |
| 5,665,015 A *  | 9/1997  | Clark, III | ..... | 473/409   |
| 6,126,554 A *  | 10/2000 | Poscente   | ..... | 473/212   |
| 6,767,290 B1 * | 7/2004  | Tan        | ..... | 473/212   |
| D638,899 S *   | 5/2011  | Quinlan    | ..... | D21/791   |
| D680,608 S *   | 4/2013  | Rapcavage  | ..... | D21/791   |

\* cited by examiner

*Primary Examiner* — Mitchell Siegel

(74) *Attorney, Agent, or Firm* — Schwegman Lundberg & Woessner, P.A.

(57) **CLAIM**

The ornamental design for a golf training apparatus, as shown and described.

**DESCRIPTION**

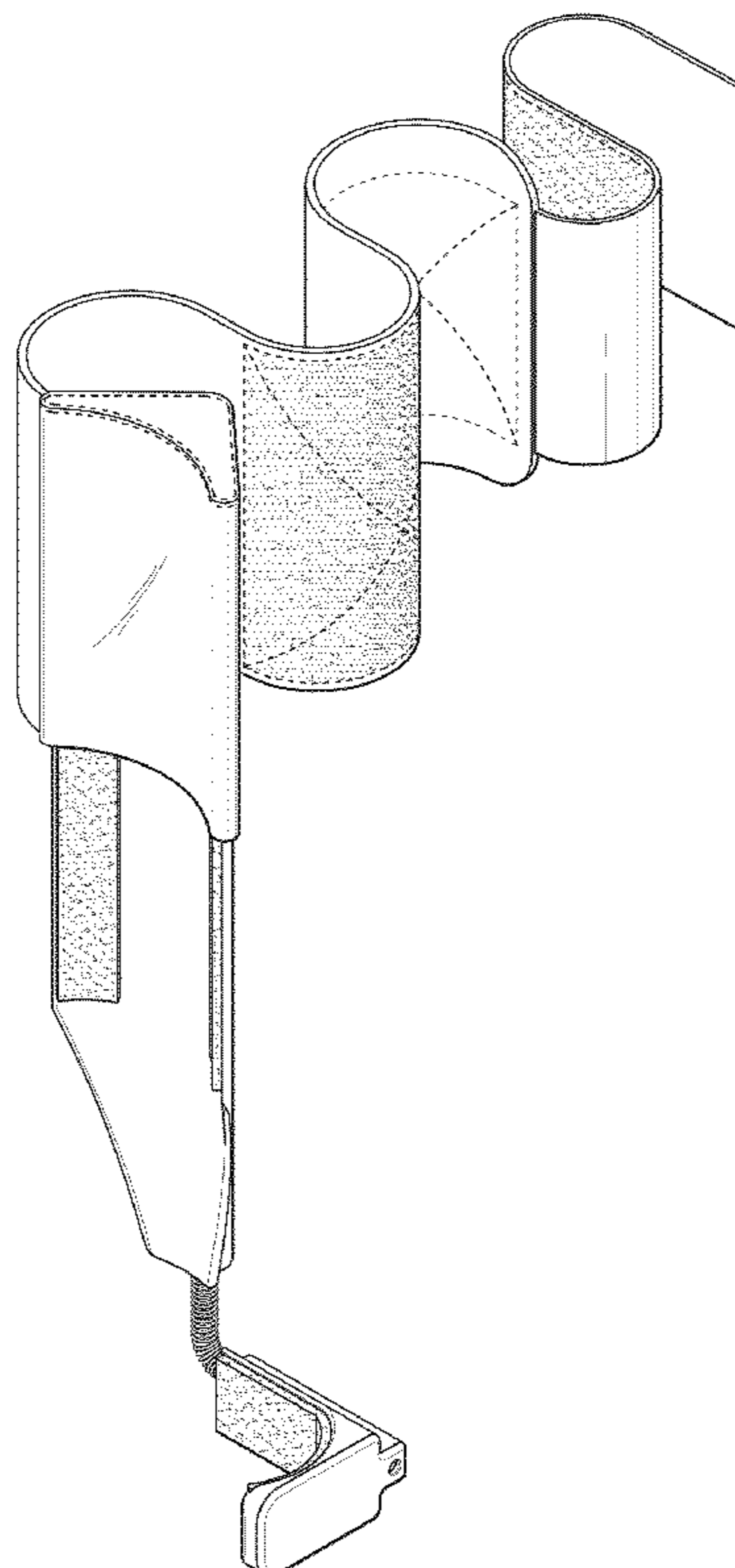
FIG. 1 is a perspective view of a golf training apparatus; FIG. 2 is a first side view of the golf training apparatus; FIG. 3 is a second side view of the golf training apparatus; FIG. 4 is an enlarged detail view of the portion of the design marked "FIG. 4" in FIG. 3; FIG. 5 is a third side view of the golf training apparatus; FIG. 6 is a fourth side view of the golf training apparatus; FIG. 7 is an end view of the golf training apparatus; FIG. 8 is an opposite end view of the golf training apparatus; FIG. 9 is a front view in use of the golf training apparatus; and, FIG. 10 is a side view in use of the golf training apparatus. The broken line showing is included for the purpose of illustrating the claimed design in use and forms no part of the claimed design.

**1 Claim, 10 Drawing Sheets**

(56) **References Cited**

**U.S. PATENT DOCUMENTS**

|               |         |              |       |         |
|---------------|---------|--------------|-------|---------|
| D234,434 S *  | 3/1975  | Trevino      | ..... | D21/791 |
| 4,691,924 A * | 9/1987  | Strong       | ..... | 473/212 |
| 4,892,317 A * | 1/1990  | Corder, Jr.  | ..... | 473/212 |
| 5,174,575 A * | 12/1992 | Leith et al. | ..... | 473/213 |
| 5,295,690 A * | 3/1994  | Johnson      | ..... | 473/212 |
| D372,064 S *  | 7/1996  | del Barrio   | ..... | D21/791 |



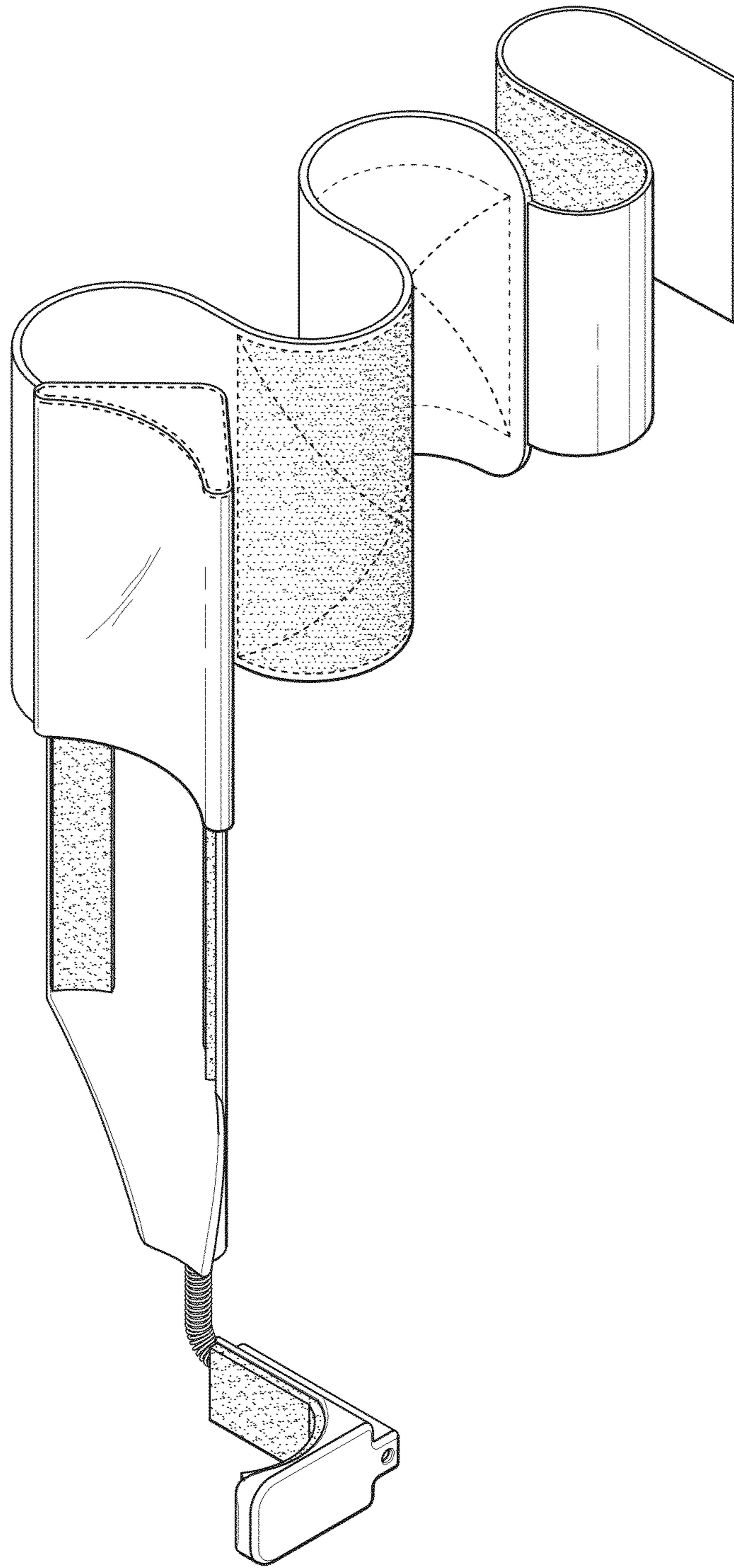


FIG. 1

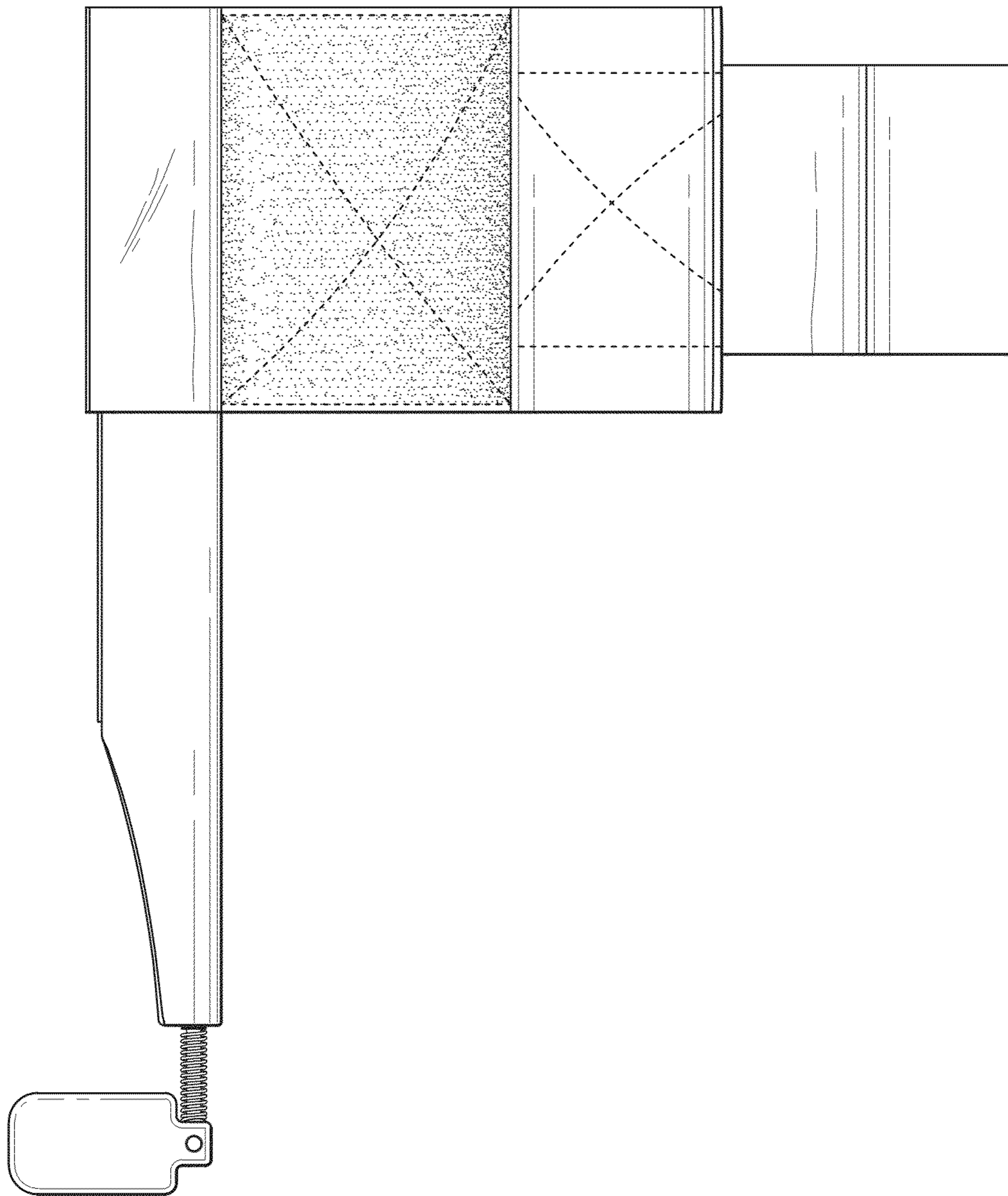


FIG. 2

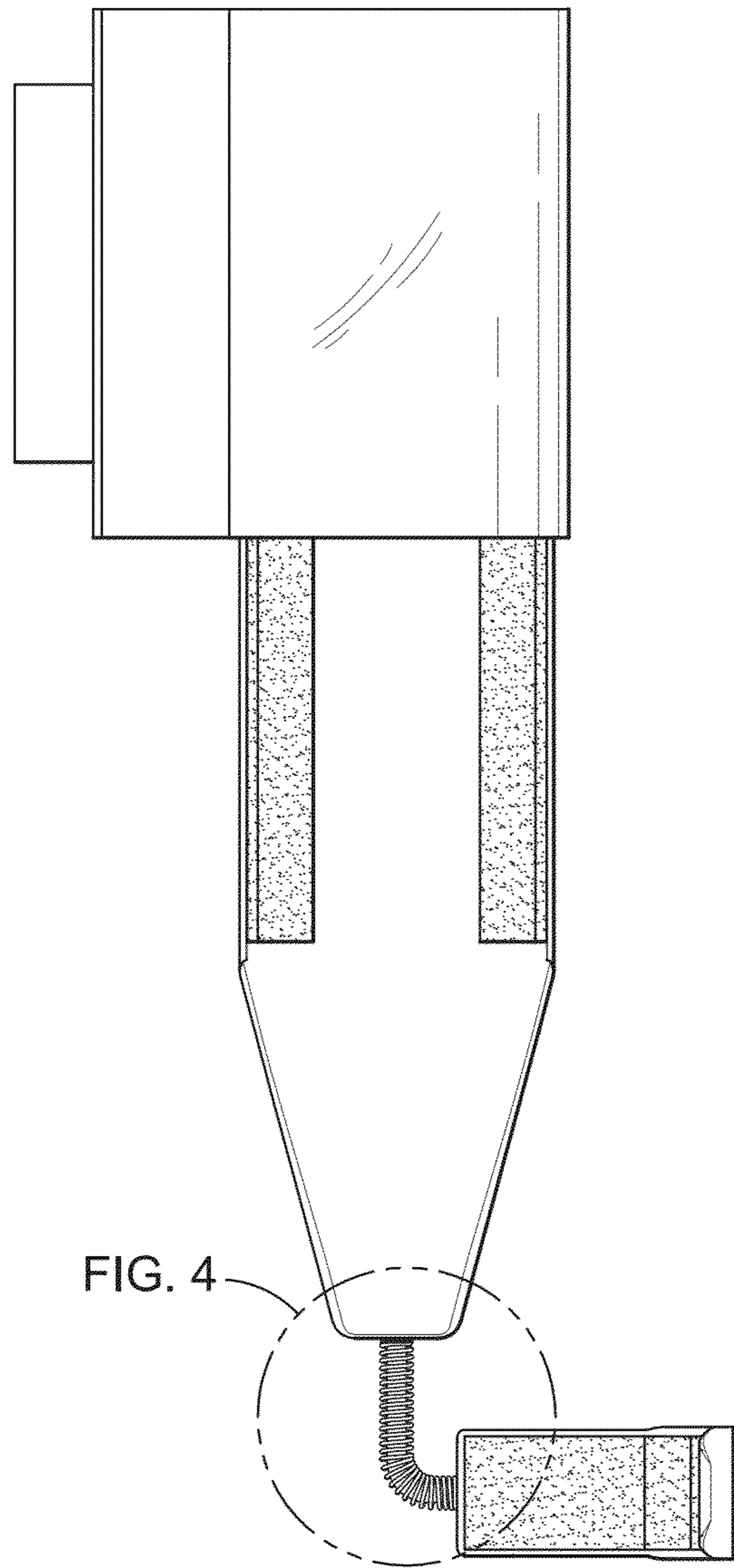


FIG. 3

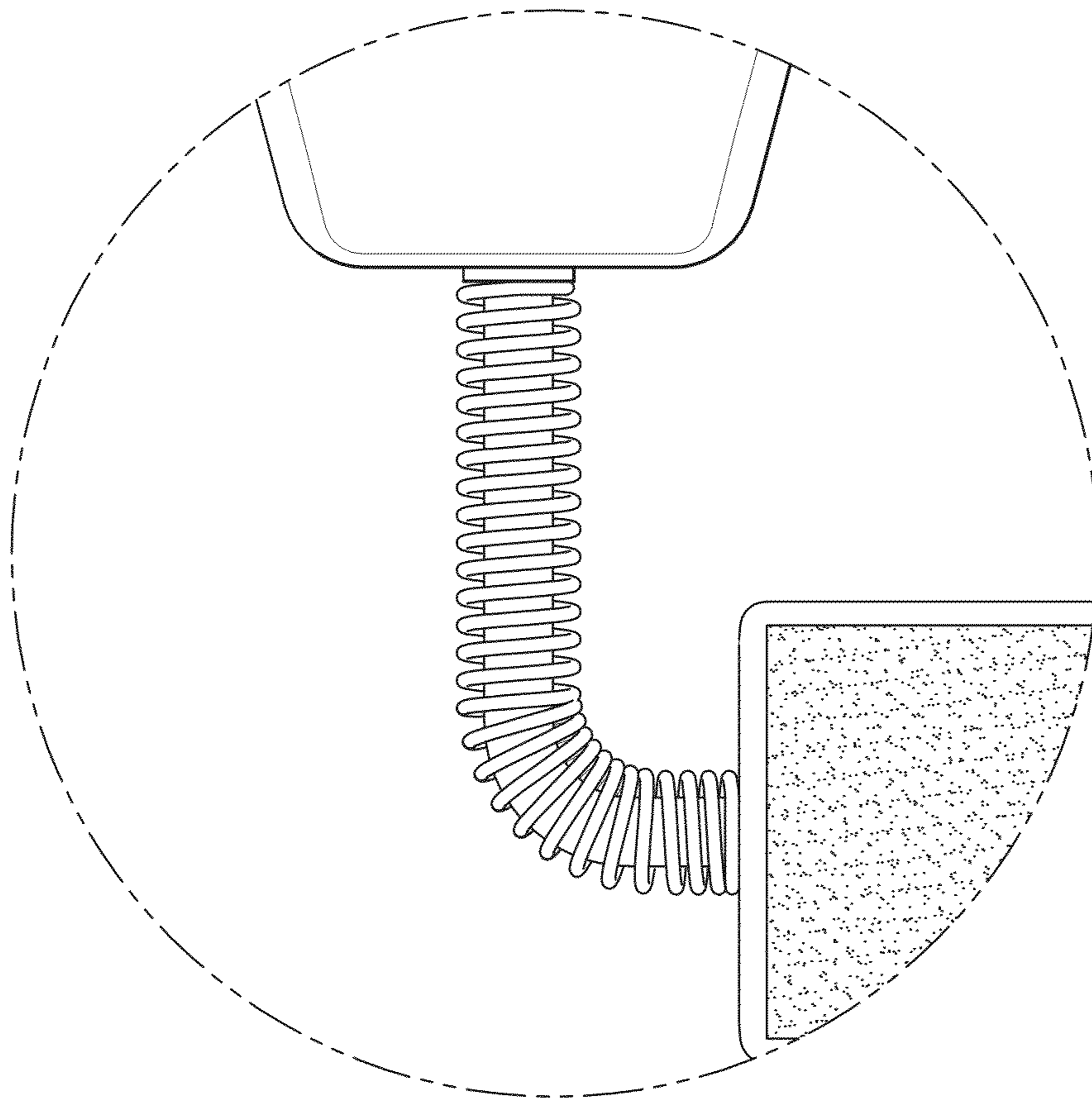


FIG. 4

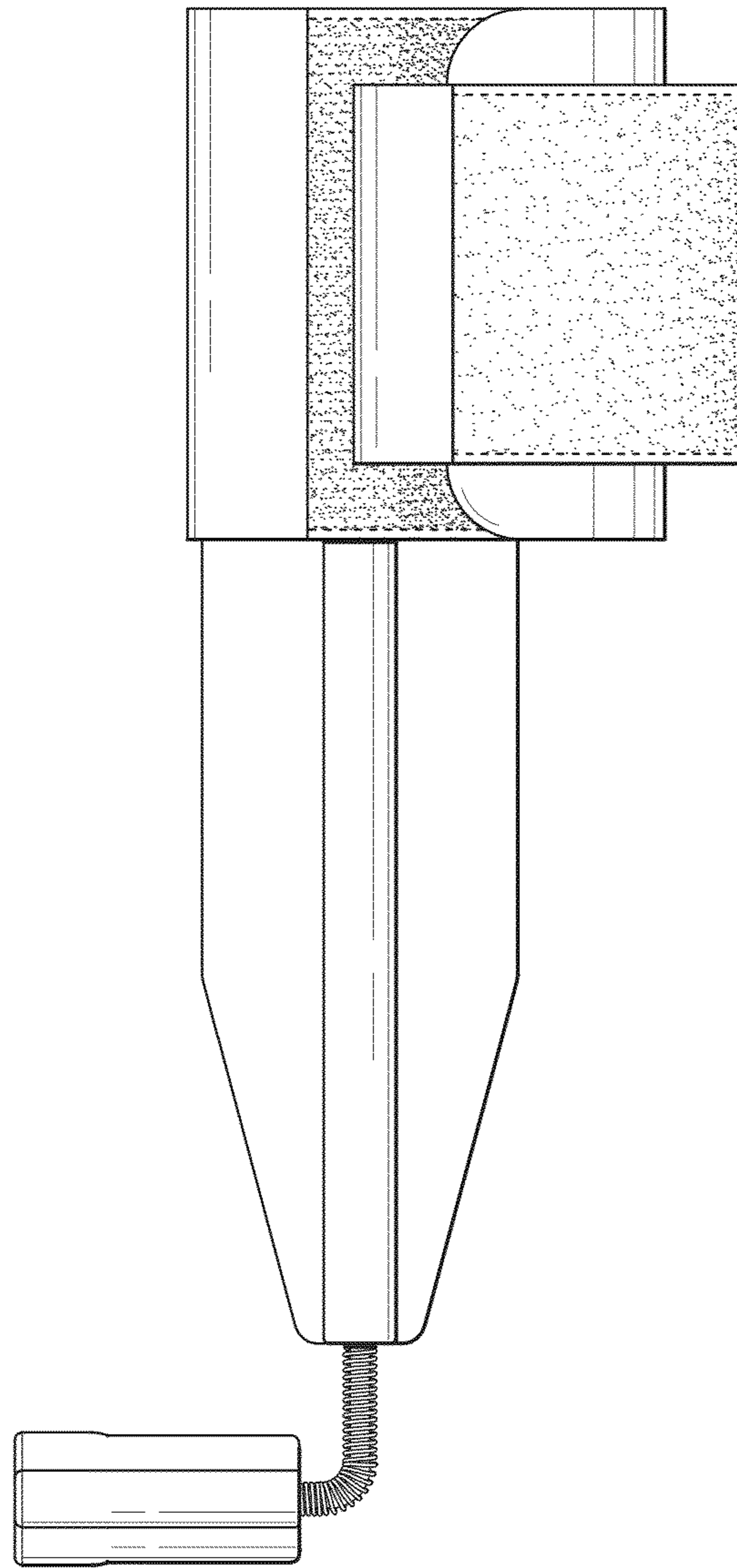


FIG. 5

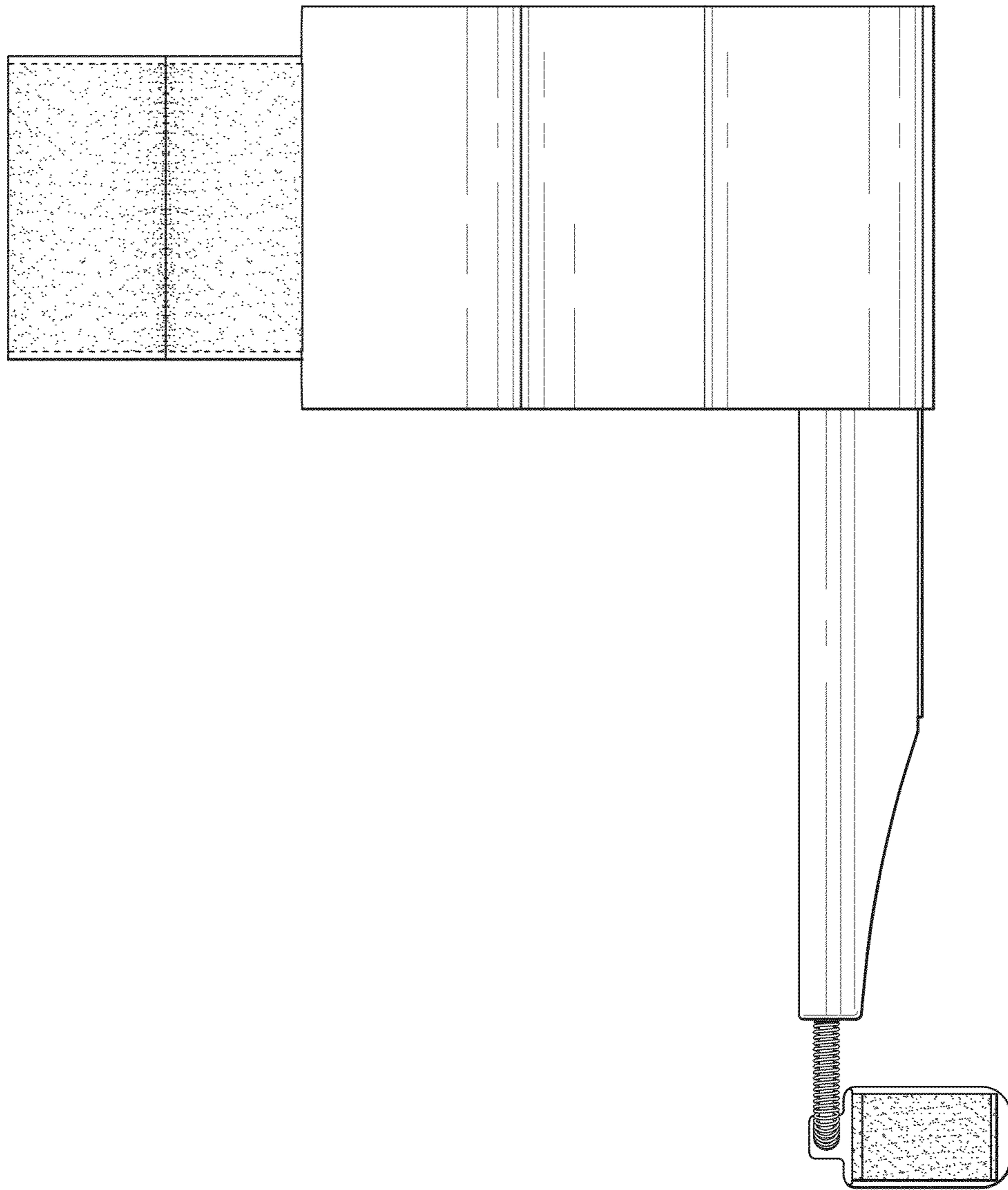


FIG. 6

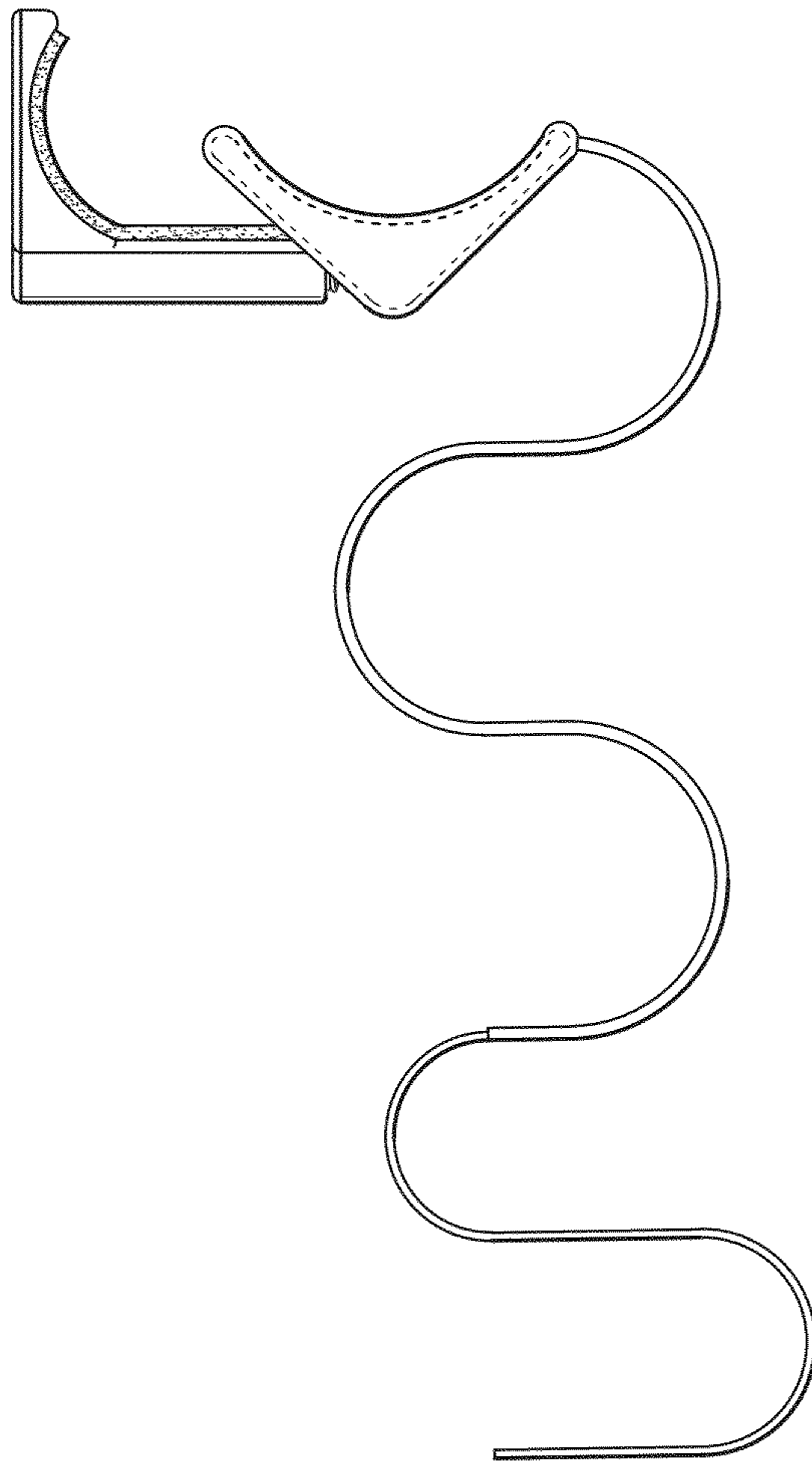


FIG. 7



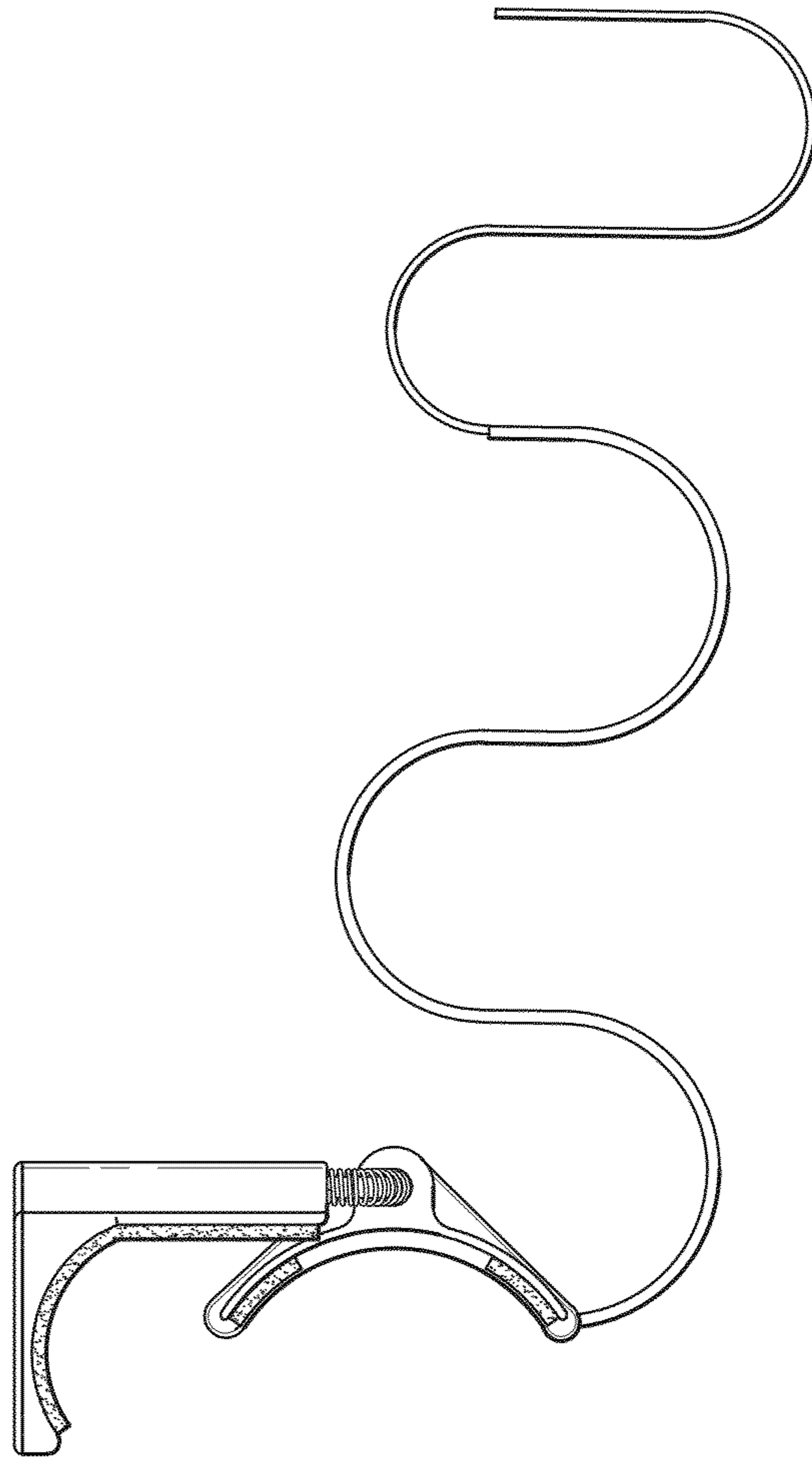


FIG. 8

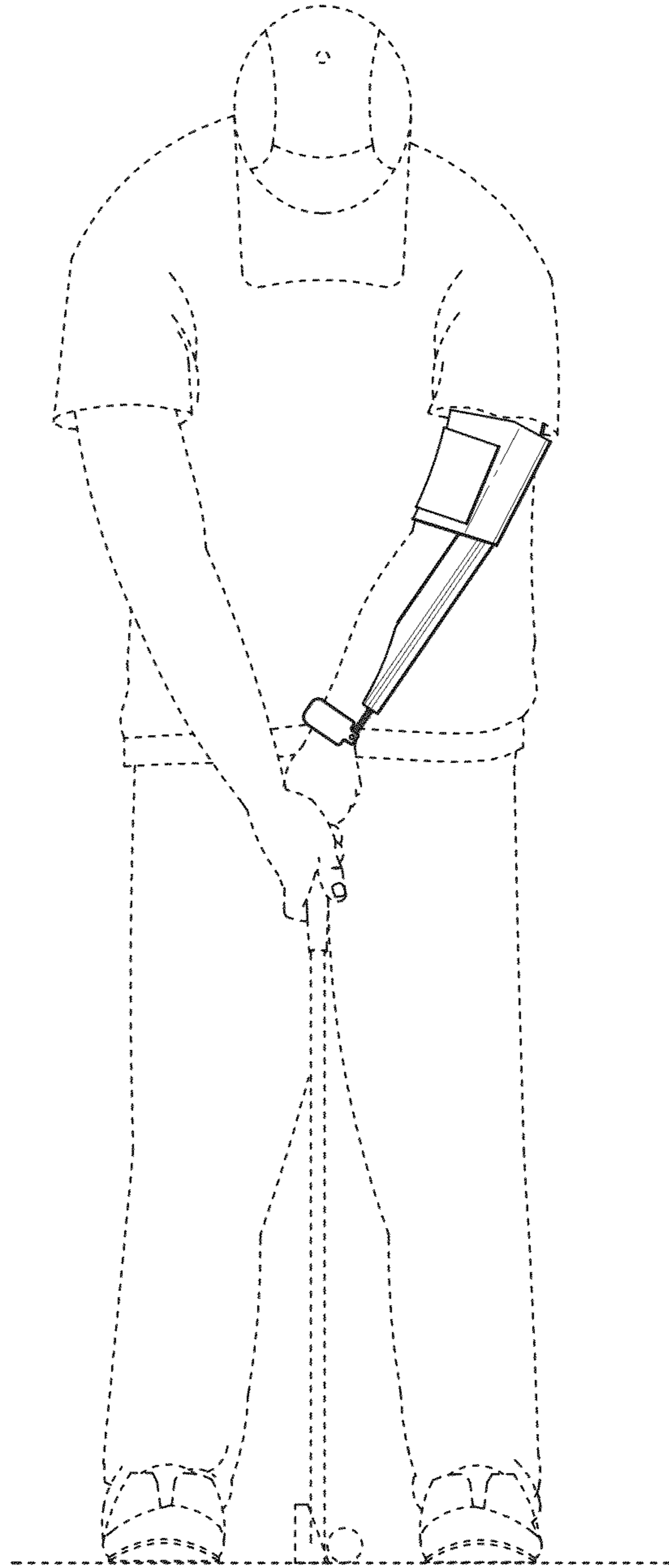


FIG. 9

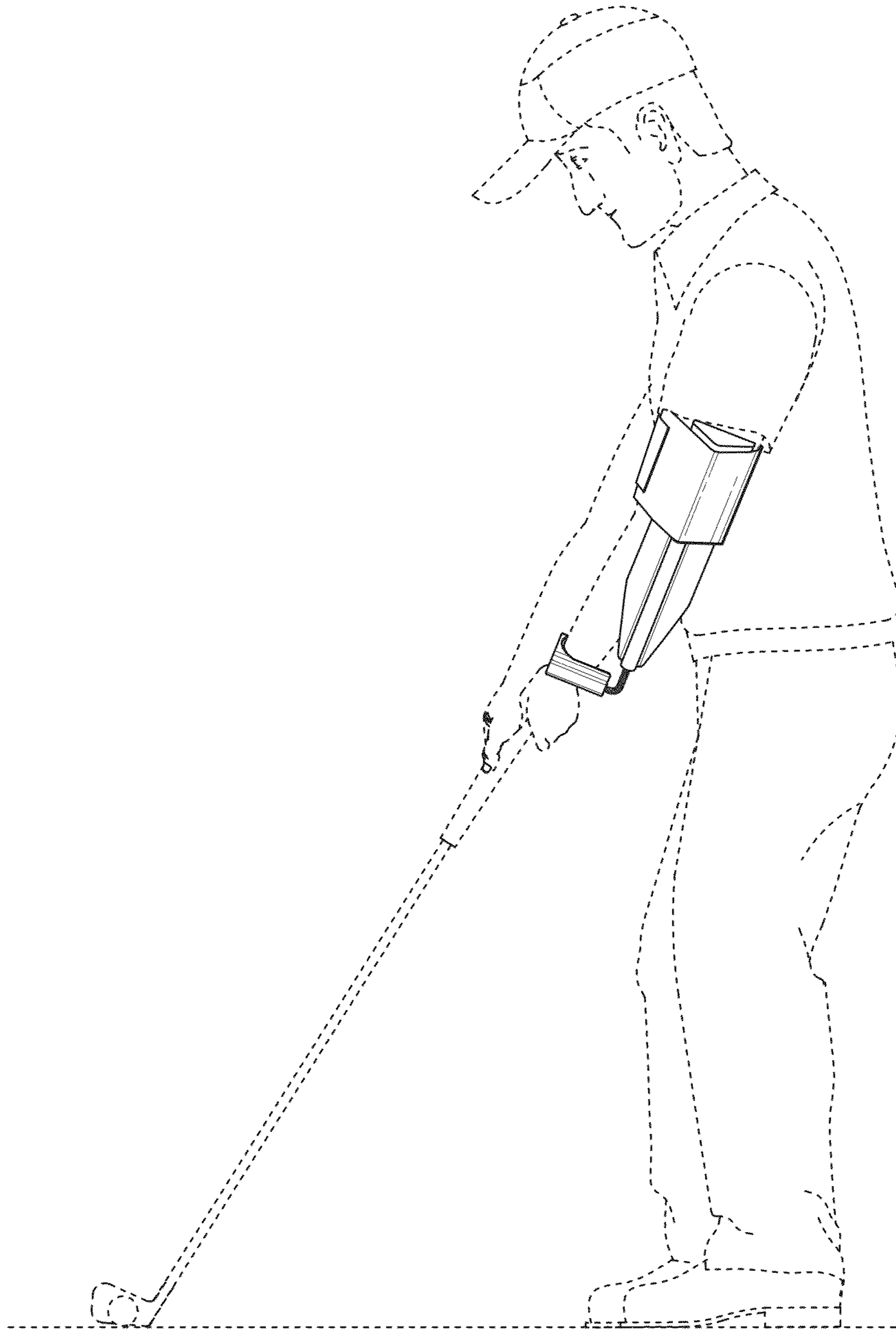


FIG. 10