



US00D719627S

(12) **United States Design Patent**
Wieland et al.

(10) **Patent No.:** **US D719,627 S**

(45) **Date of Patent:** **** Dec. 16, 2014**

(54) **GOLF CLUB HEAD**

(71) Applicant: **Callaway Golf Company**, Carlsbad, CA (US)

(72) Inventors: **Chris J. Wieland**, Vista, CA (US);
Randolph J. Peterson, Carlsbad, CA (US)

(73) Assignee: **Callaway Golf Company**, Carlsbad, CA (US)

(**) Term: **14 Years**

(21) Appl. No.: **29/481,360**

(22) Filed: **Feb. 5, 2014**

(51) **LOC (10) Cl.** **21-02**

(52) **U.S. Cl.**
USPC **D21/759**

(58) **Field of Classification Search**
USPC D21/747-751, 759; 473/324-331, 350
See application file for complete search history.

(56) **References Cited**

U.S. PATENT DOCUMENTS

D164,596 S *	9/1951	Penna	D21/751
D164,597 S *	9/1951	Penna	D21/751
D244,792 S *	6/1977	Gelinas	D21/751
D389,540 S *	1/1998	Mendenhall	D21/750
5,879,242 A *	3/1999	Mendenhall	473/328
D468,382 S *	1/2003	Wahl et al.	D21/747
6,551,200 B1 *	4/2003	Golden et al.	473/349
D488,201 S *	4/2004	Wahl et al.	D21/747
6,719,642 B2 *	4/2004	Wahl et al.	473/291
D509,868 S *	9/2005	Imamoto	D21/747

D554,216 S *	10/2007	Vrska et al.	D21/759
D587,327 S *	2/2009	Ines et al.	D21/747
D647,984 S *	11/2011	Atwell et al.	D21/747
D681,142 S *	4/2013	Fossum et al.	D21/747
D690,379 S *	9/2013	Cleveland et al.	D21/747

* cited by examiner

Primary Examiner — Mitchell Siegel

(74) *Attorney, Agent, or Firm* — Rebecca Hanovice;
Michael A. Catania; Sonia Lari

(57) **CLAIM**

The ornamental design for a golf club head, as shown and described.

DESCRIPTION

FIG. 1 is a rear perspective view of a first embodiment of the golf club head as claimed herein;

FIG. 2 is a rear view thereof;

FIG. 3 is a front view thereof;

FIG. 4 is a right side view thereof;

FIG. 5 is a left side view thereof;

FIG. 6 is a top view thereof;

FIG. 7 is a bottom view thereof;

FIG. 8 is a rear perspective view of a second embodiment of the golf club head as claimed herein;

FIG. 9 is a rear view thereof;

FIG. 10 is a front view thereof;

FIG. 11 is a right side view thereof;

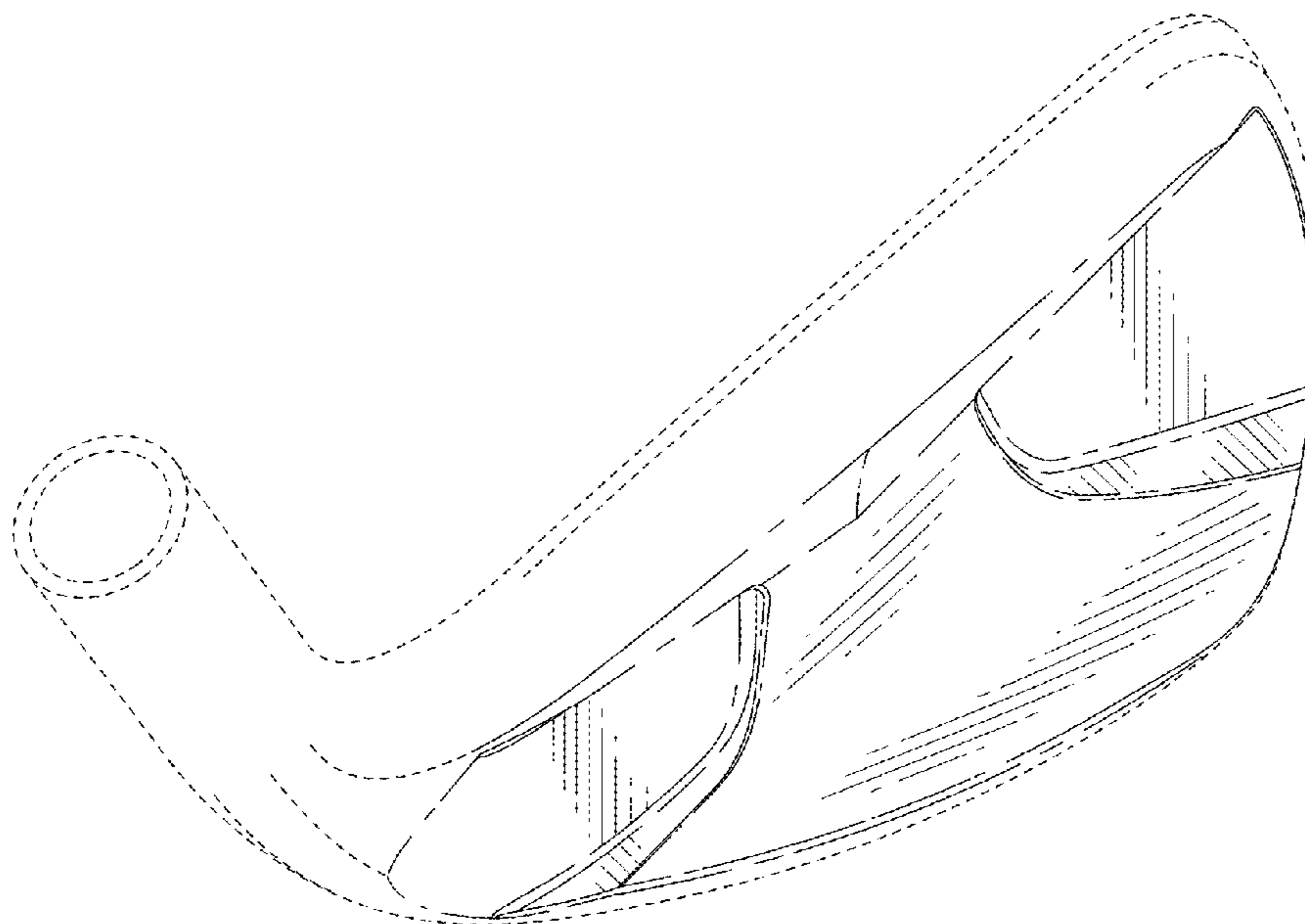
FIG. 12 is a left side view thereof;

FIG. 13 is a top view thereof; and,

FIG. 14 is a bottom view thereof.

The broken line showing is included for the purpose of illustrating and forms no part of the claimed design.

1 Claim, 8 Drawing Sheets



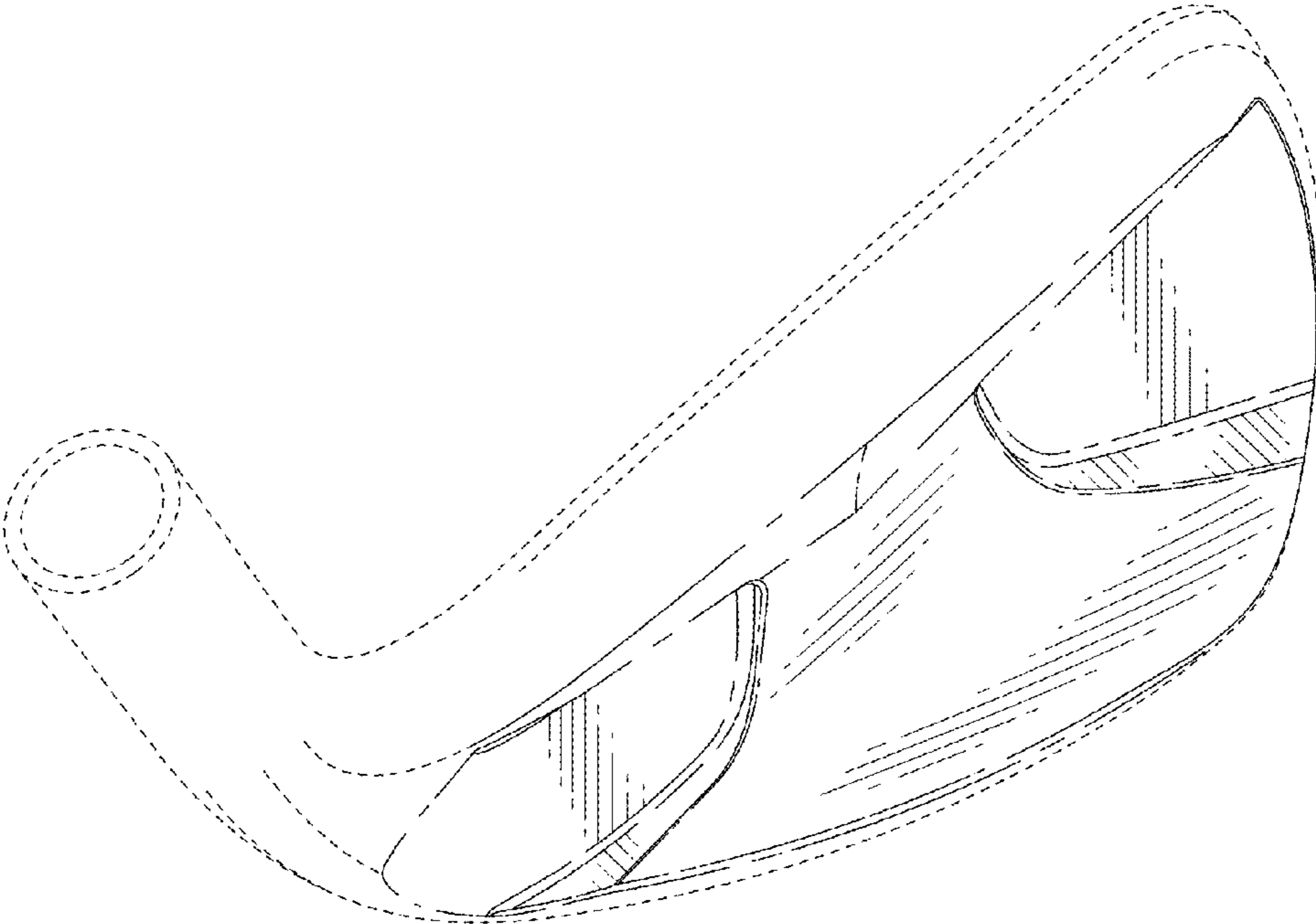


FIG. 1

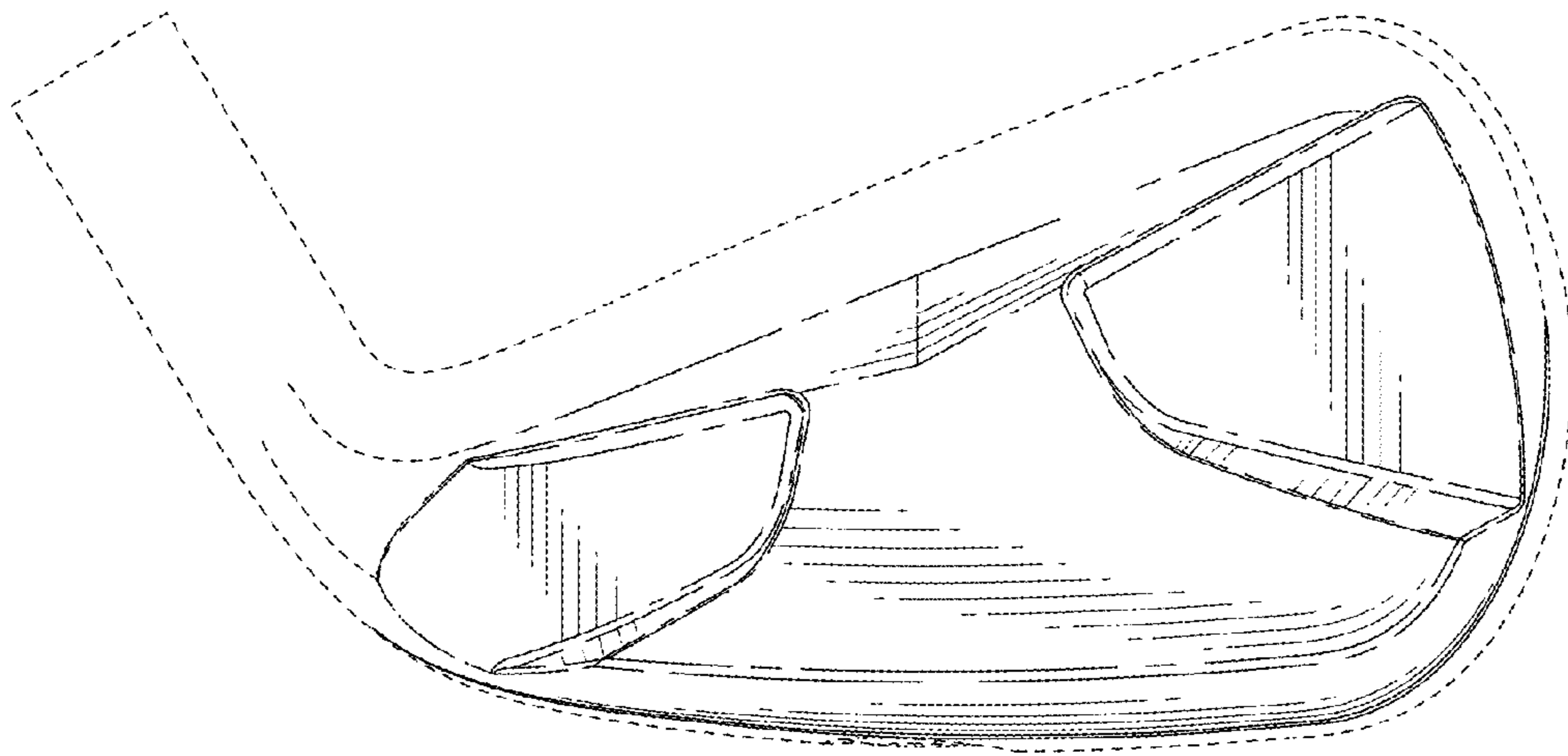


FIG. 2

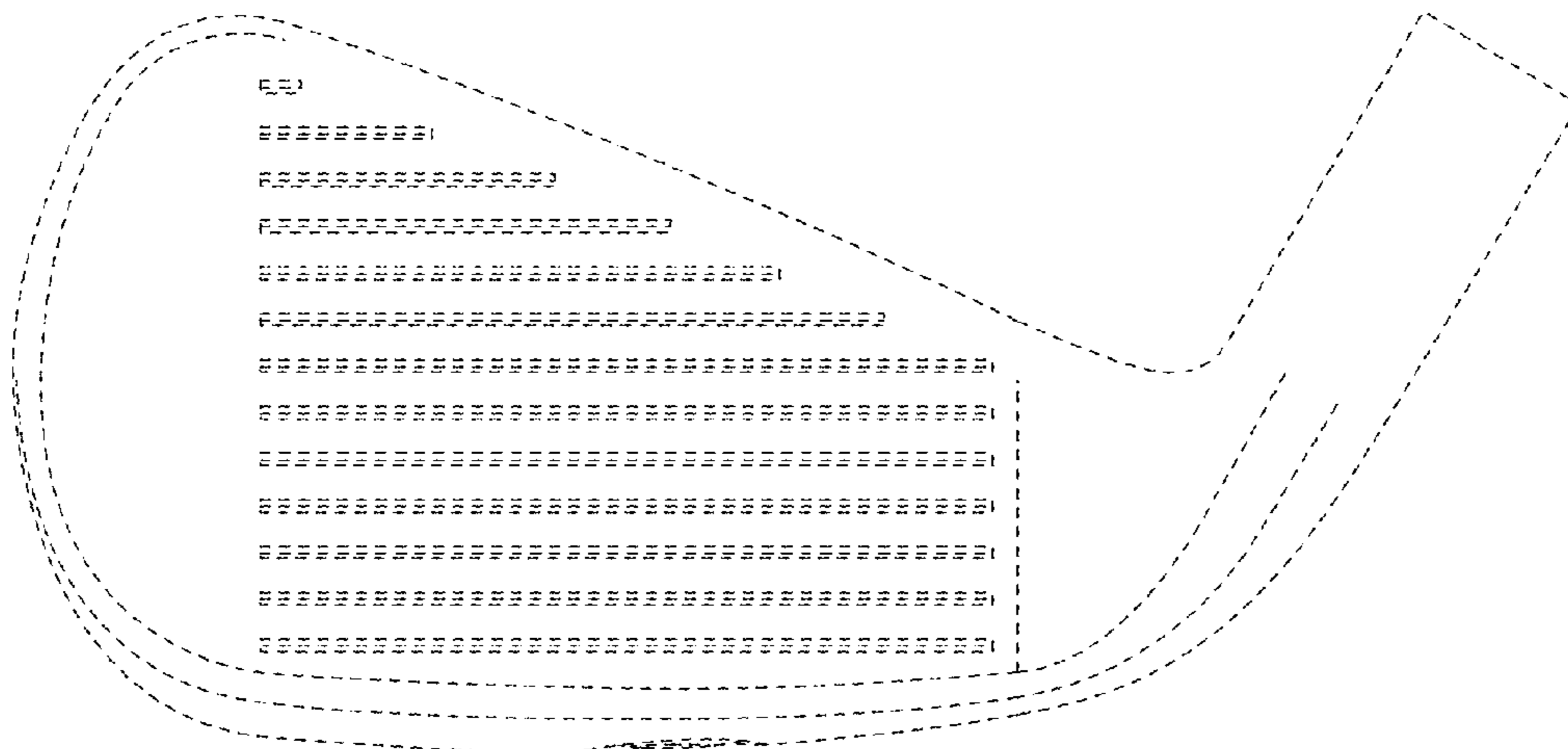


FIG. 3

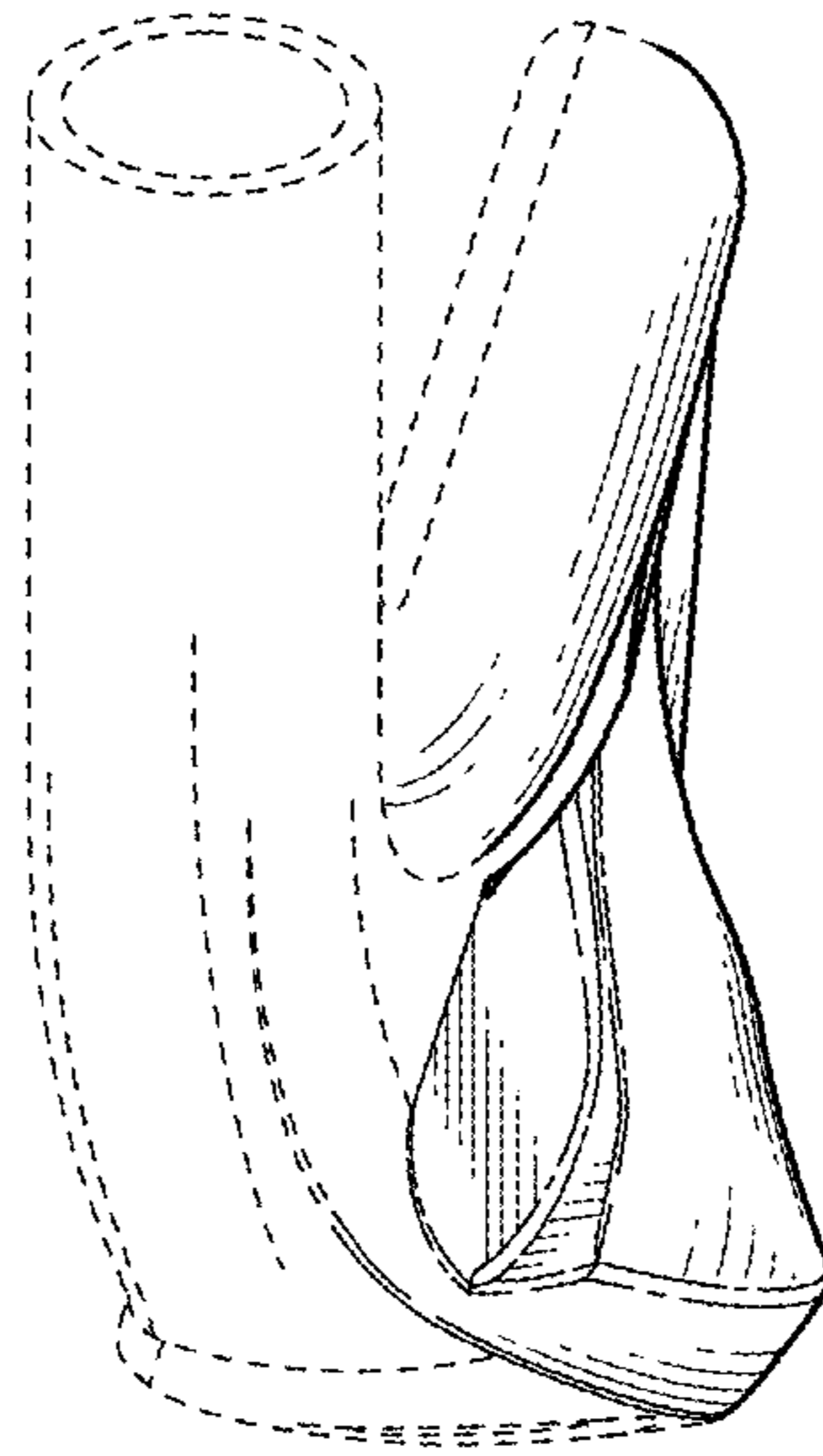


FIG. 4

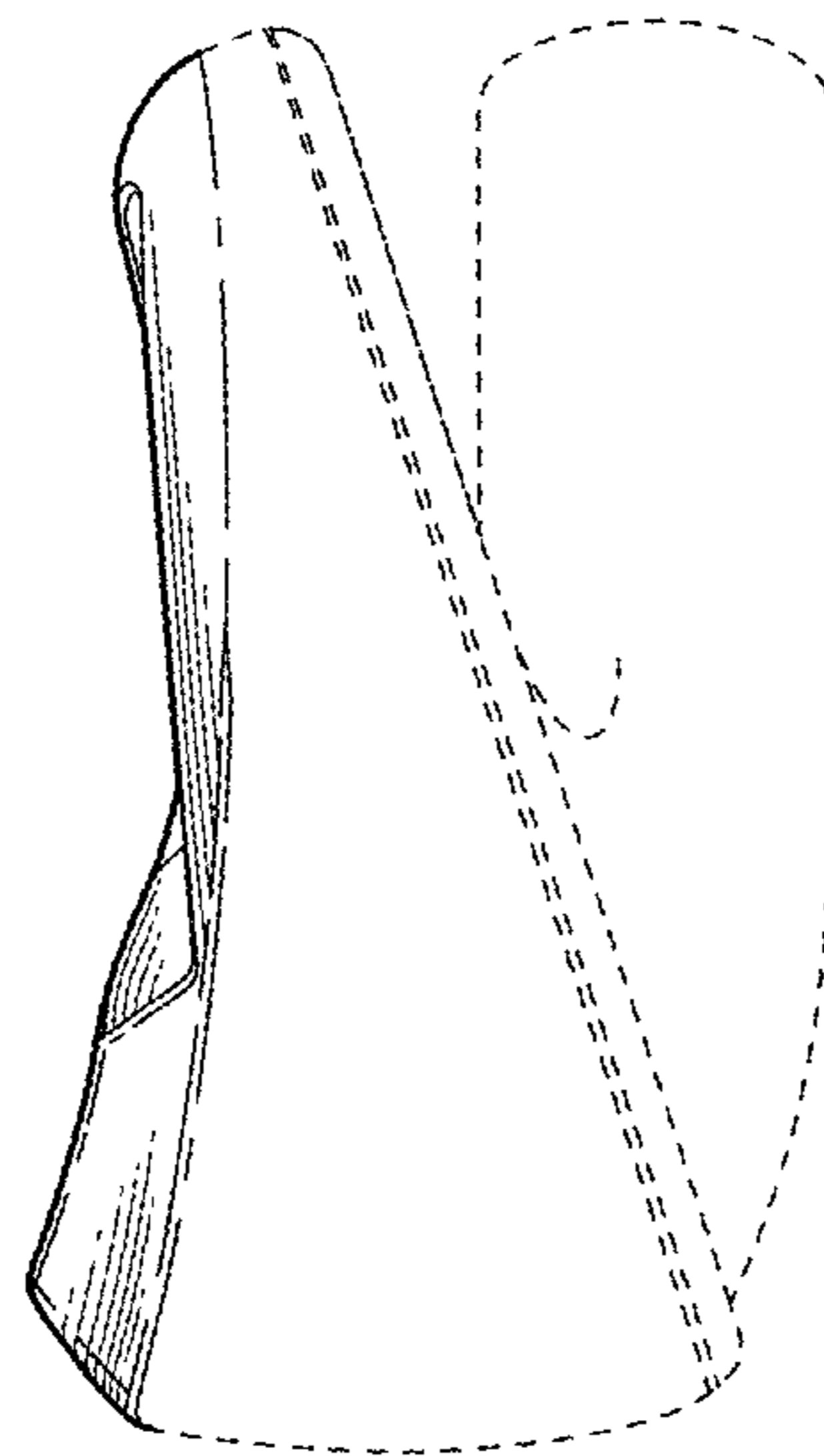


FIG. 5

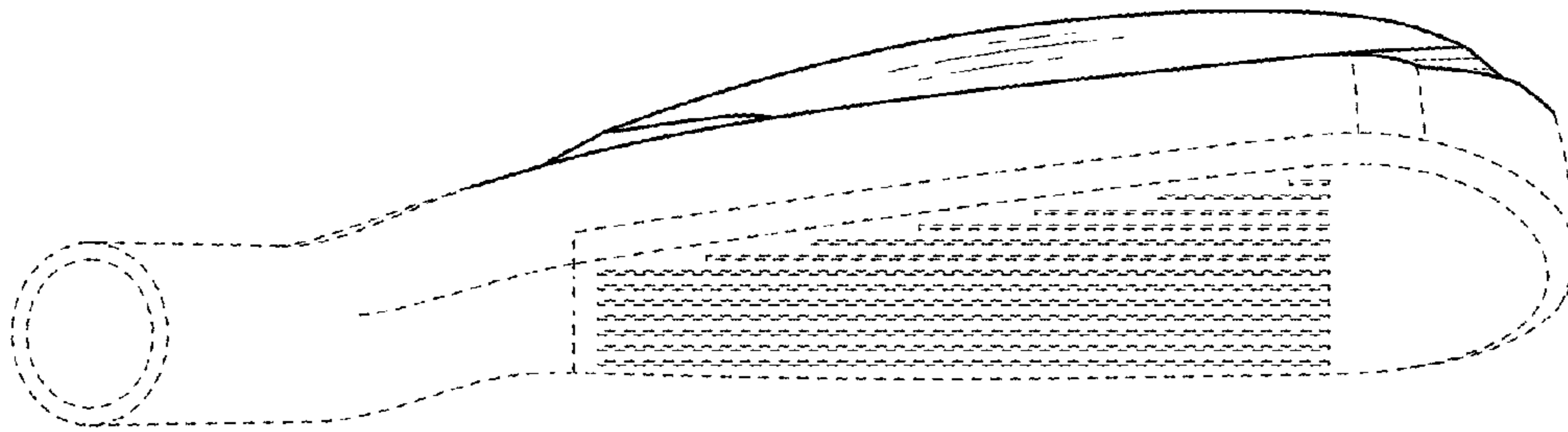


FIG. 6

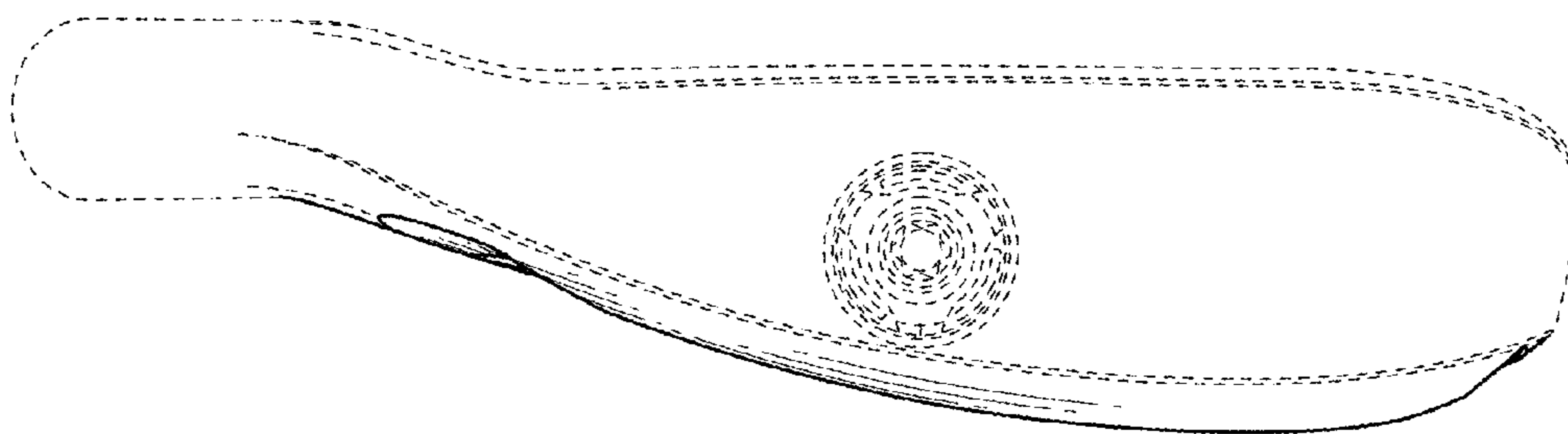


FIG. 7

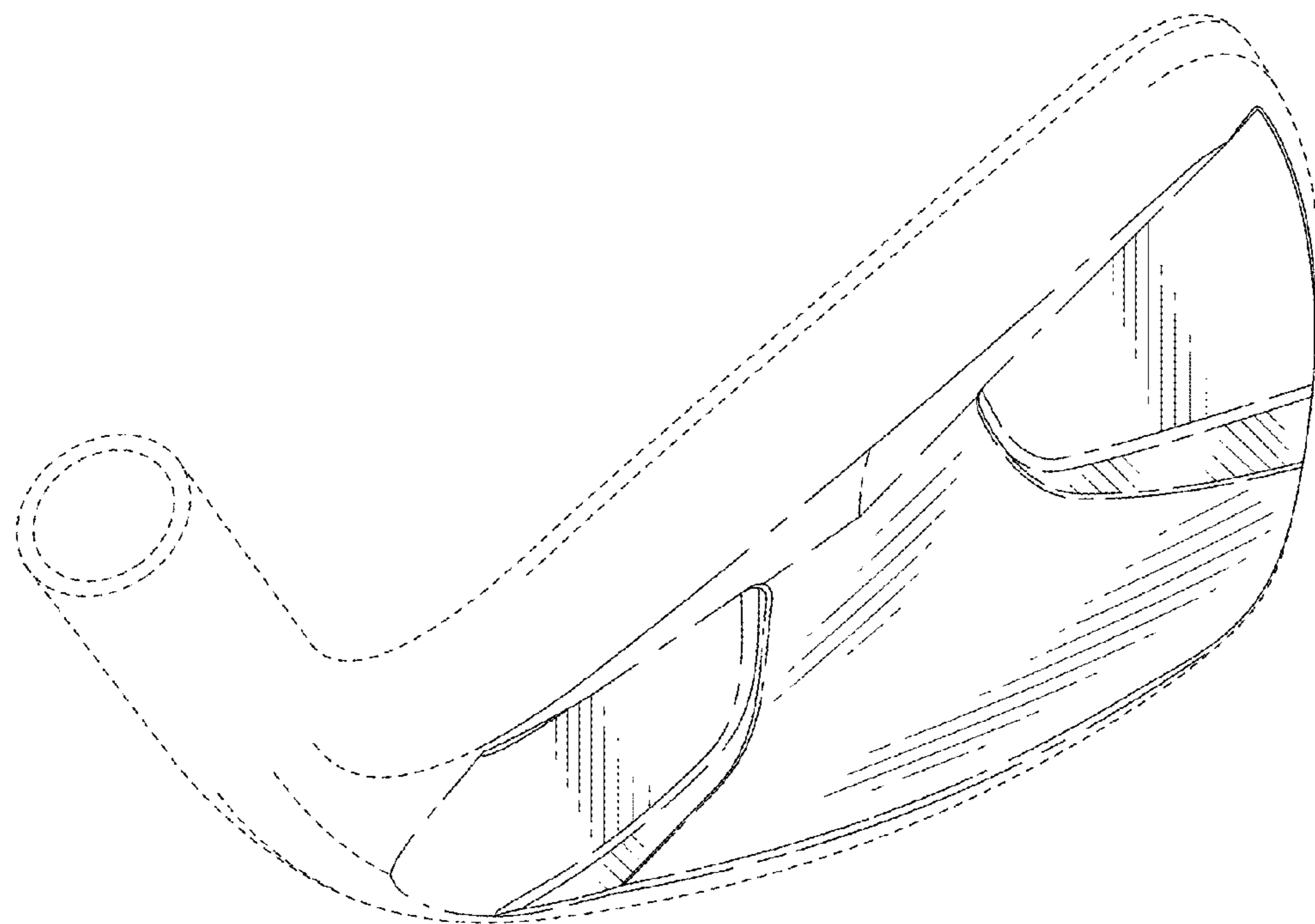


FIG. 8

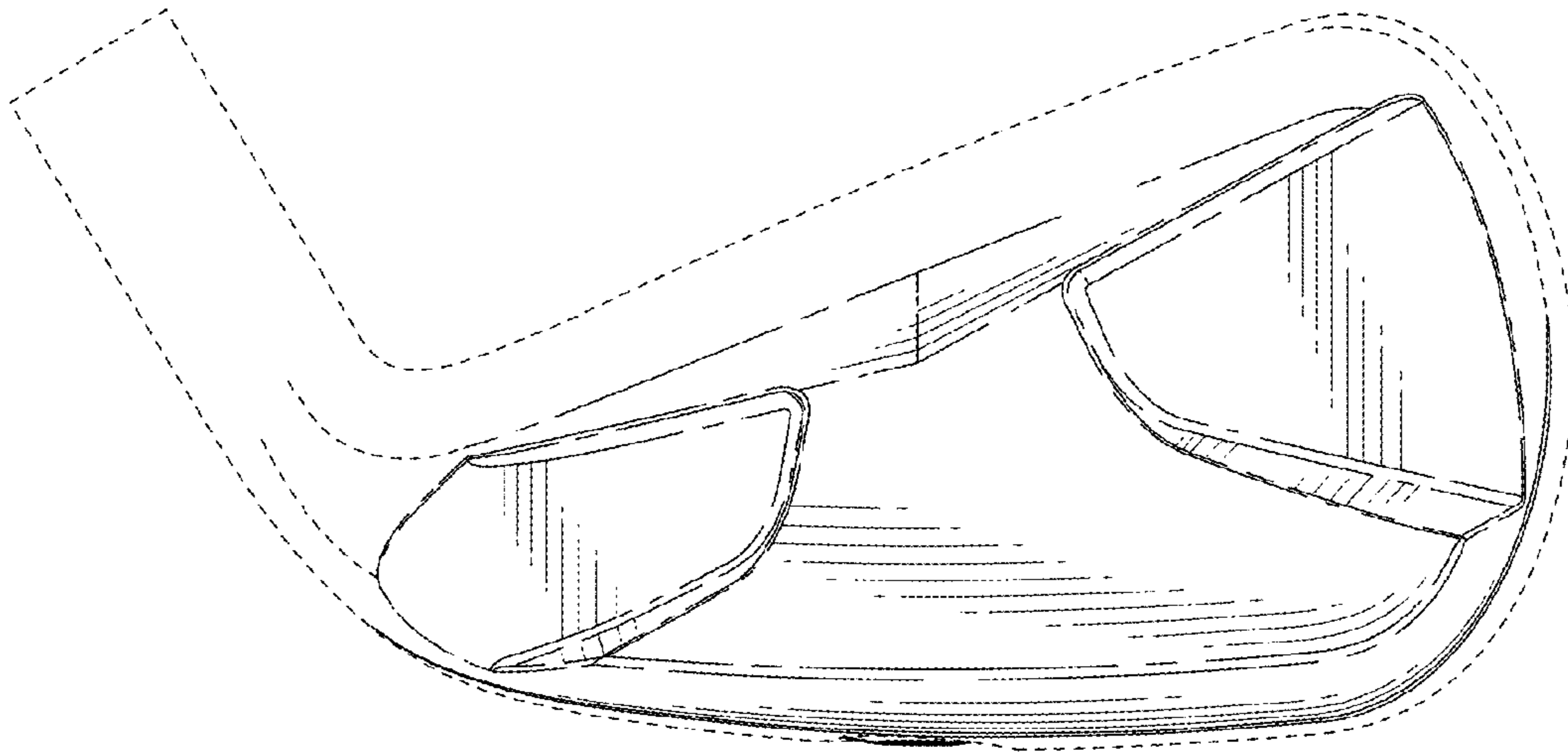


FIG. 9

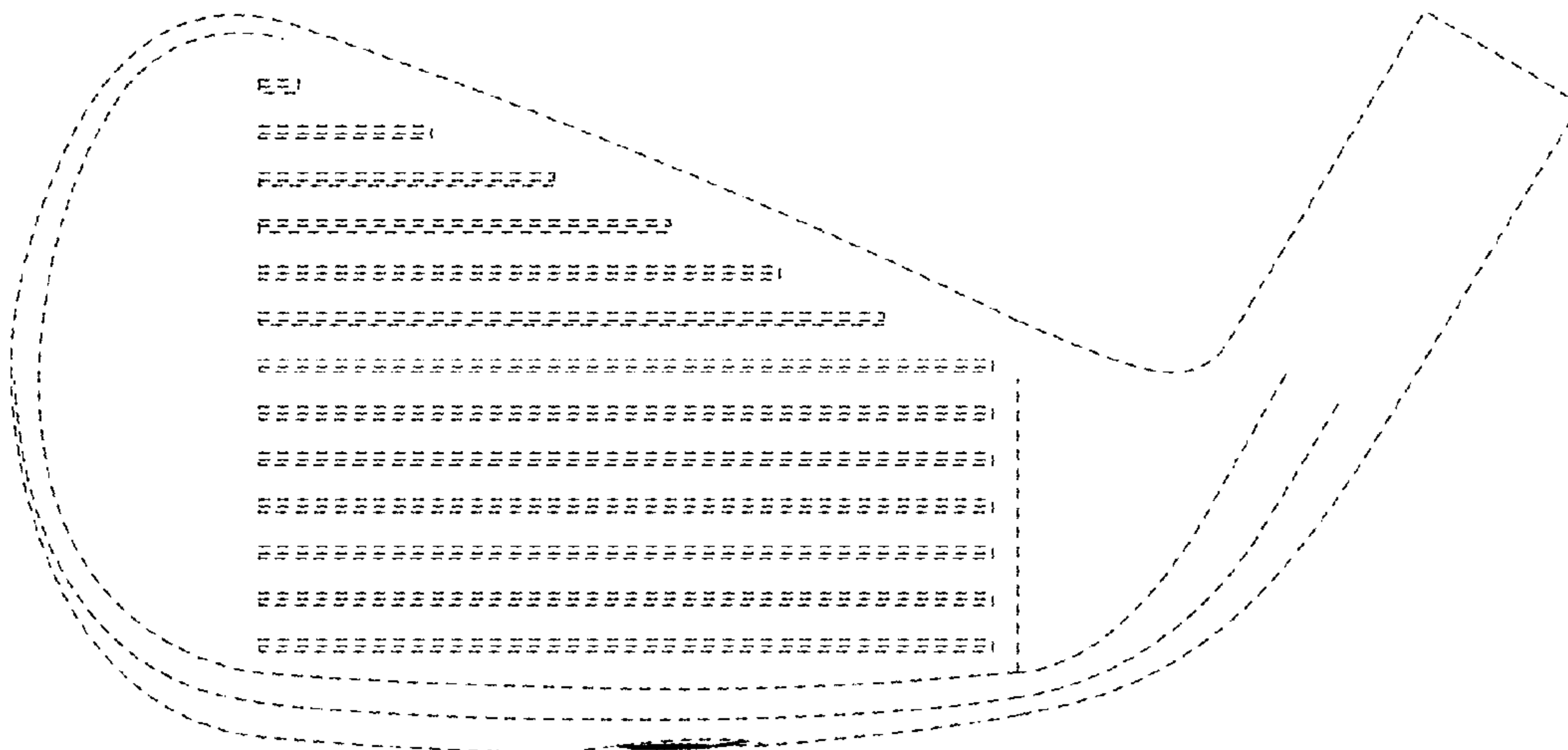


FIG. 10

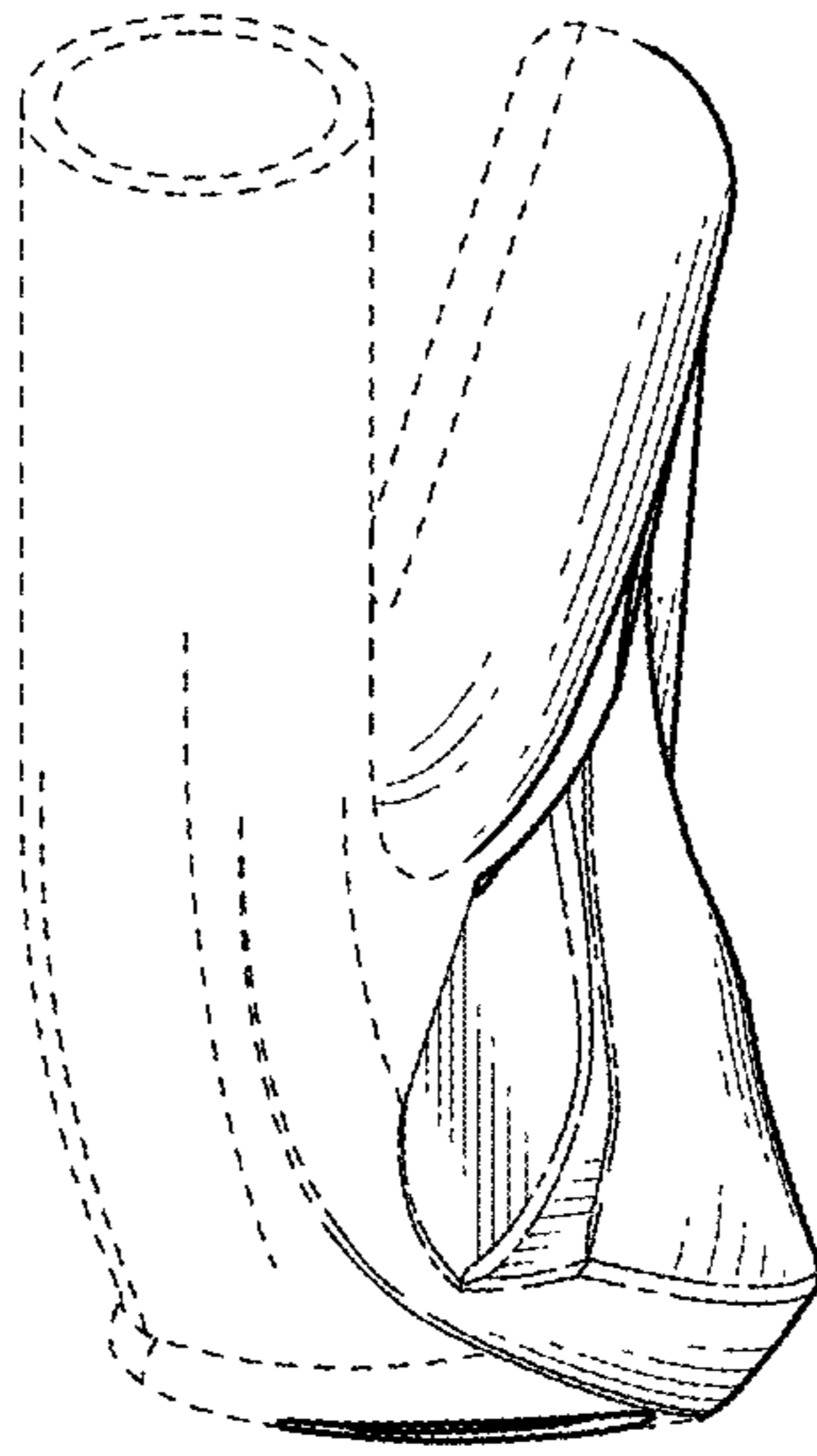


FIG. 11

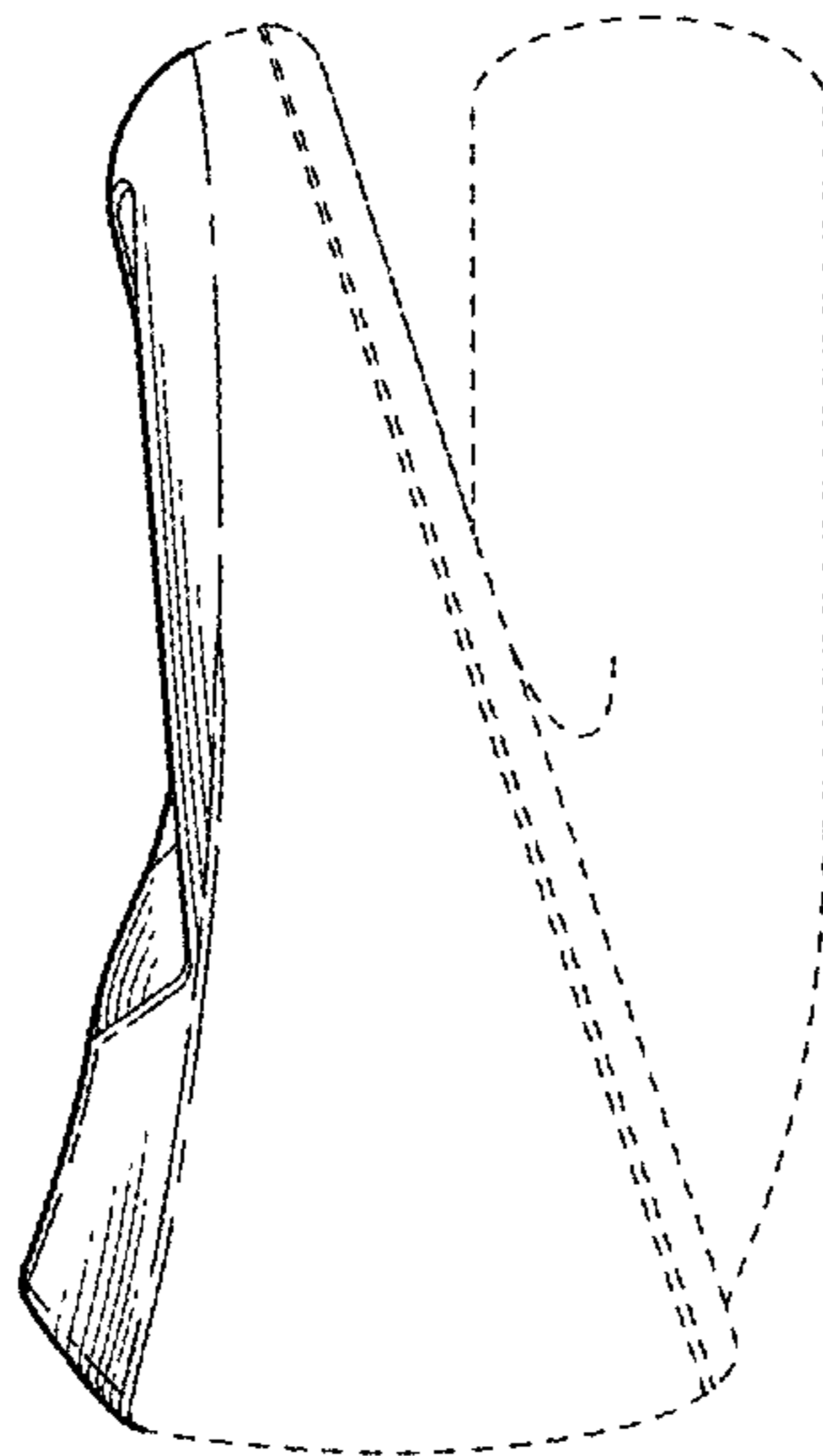


FIG. 12

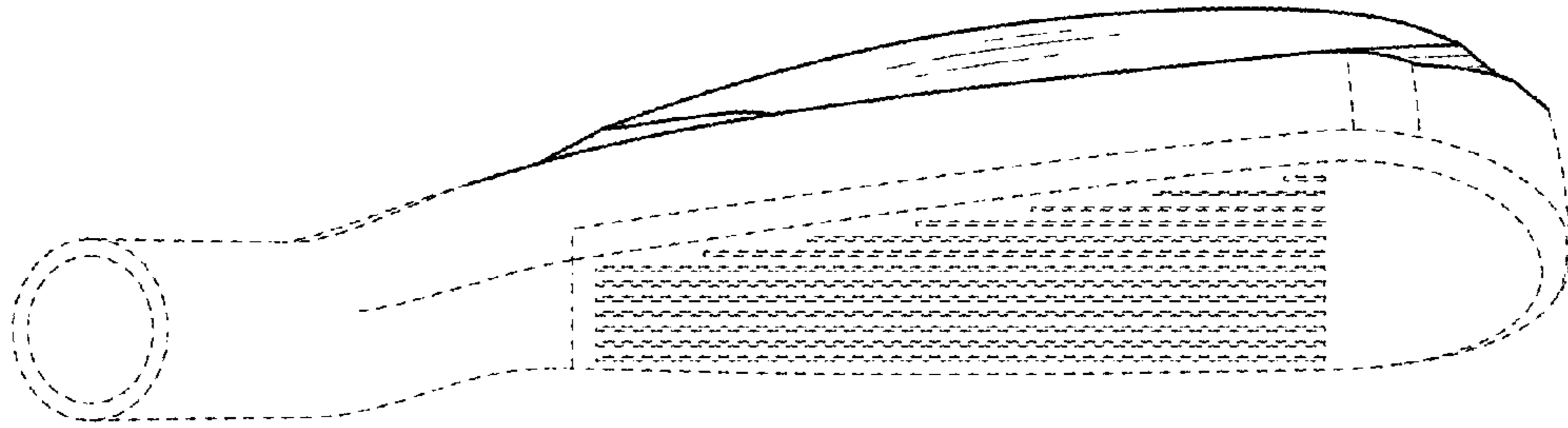


FIG. 13

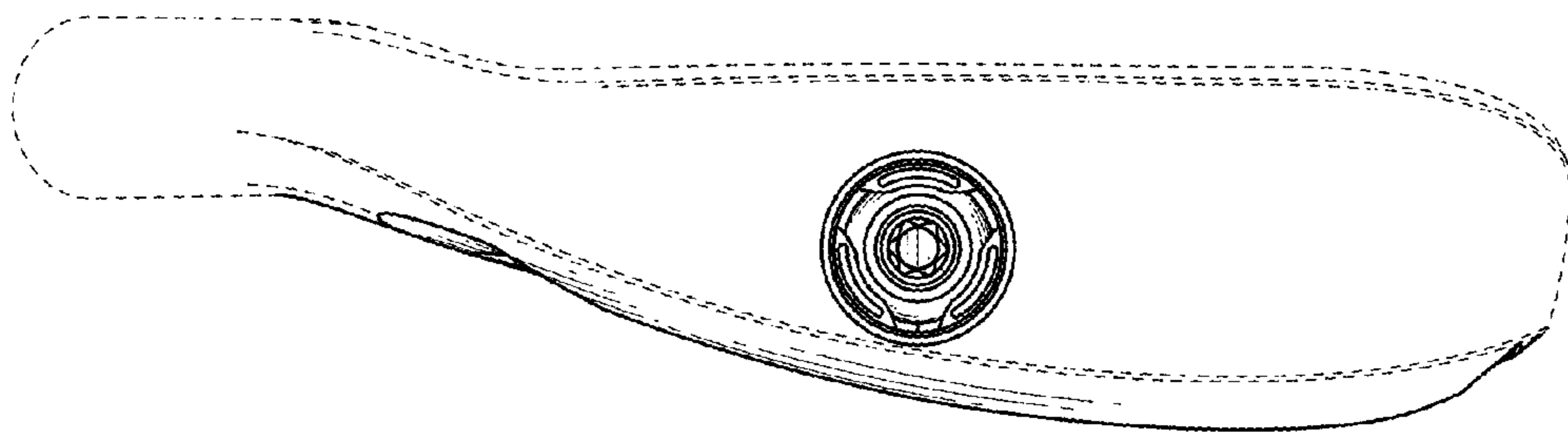


FIG. 14