



US00D719619S

(12) **United States Design Patent**  
**Sawyer**

(10) **Patent No.:** **US D719,619 S**

(45) **Date of Patent:** **\*\* Dec. 16, 2014**

(54) **SPINNING TOP**

(71) Applicant: **Thomas Sawyer**, Wildwood, NJ (US)

(72) Inventor: **Thomas Sawyer**, Wildwood, NJ (US)

(\*\*) Term: **14 Years**

(21) Appl. No.: **29/454,891**

(22) Filed: **May 15, 2013**

(51) **LOC (10) Cl.** ..... **21-01**

(52) **U.S. Cl.**  
USPC ..... **D21/460; D21/373**

(58) **Field of Classification Search**  
USPC ..... **D21/371-374, 455, 460-464; 273/147;**  
**446/235, 236-266**  
See application file for complete search history.

(56) **References Cited**

**U.S. PATENT DOCUMENTS**

459,832	A *	9/1891	Byram	273/147
459,997	A *	9/1891	Cromwell	273/108
465,578	A *	12/1891	Killeen, Jr. et al.	273/147
1,161,552	A *	11/1915	Van Sickels	273/147
1,355,601	A *	10/1920	Garniss	446/241
1,374,243	A *	4/1921	Siegel et al.	273/147
1,395,261	A *	11/1921	Cullinan	273/147
1,452,618	A *	4/1923	Sayers	273/147
1,455,045	A *	5/1923	Conde	273/252
1,469,151	A *	9/1923	Bartram	273/147
1,529,263	A *	3/1925	McGinnis	273/147
1,545,834	A *	7/1925	Kent	273/143 A
1,546,451	A *	7/1925	Meyers	273/147
D84,388	S *	6/1931	Woodroof et al.	D21/373

2,023,297	A *	12/1935	Vandegrift	273/147
2,311,453	A *	2/1943	McKeown	273/147
2,573,916	A *	11/1951	Loveday	273/147
2,794,644	A *	6/1957	Johnson	273/147
4,834,372	A *	5/1989	Velazquez	273/147
4,856,784	A *	8/1989	Magee	273/147
D320,240	S *	9/1991	Stefanou	D21/460
D421,278	S *	2/2000	Cleary	D21/373
D433,770	S *	11/2000	Rotstein	D26/118
6,158,739	A *	12/2000	Engelke	273/147
D487,292	S *	3/2004	Kaminski	D21/373
8,382,111	B2 *	2/2013	Siskin	273/147

\* cited by examiner

*Primary Examiner* — Catherine Tuttle

(74) *Attorney, Agent, or Firm* — Stuart M. Goldstein

(57) **CLAIM**

The ornamental design for a spinning top, as shown and described.

**DESCRIPTION**

FIG. 1 is an isometric view of the spinning top showing my new design with its top and bottom sections aligned;  
 FIG. 2 is an isometric view showing the design with its top section rotated relative to its bottom section;  
 FIG. 3 is a front elevation view of FIG. 1;  
 FIG. 4 is a front and left elevation view thereof;  
 FIG. 5 is a left and rear elevation view thereof;  
 FIG. 6 is a rear elevation view thereof;  
 FIG. 7 is a rear and right elevation view thereof;  
 FIG. 8 is a right and front elevation view thereof;  
 FIG. 9 is a top plan view thereof; and,  
 FIG. 10 is a bottom plan view thereof.

**1 Claim, 4 Drawing Sheets**

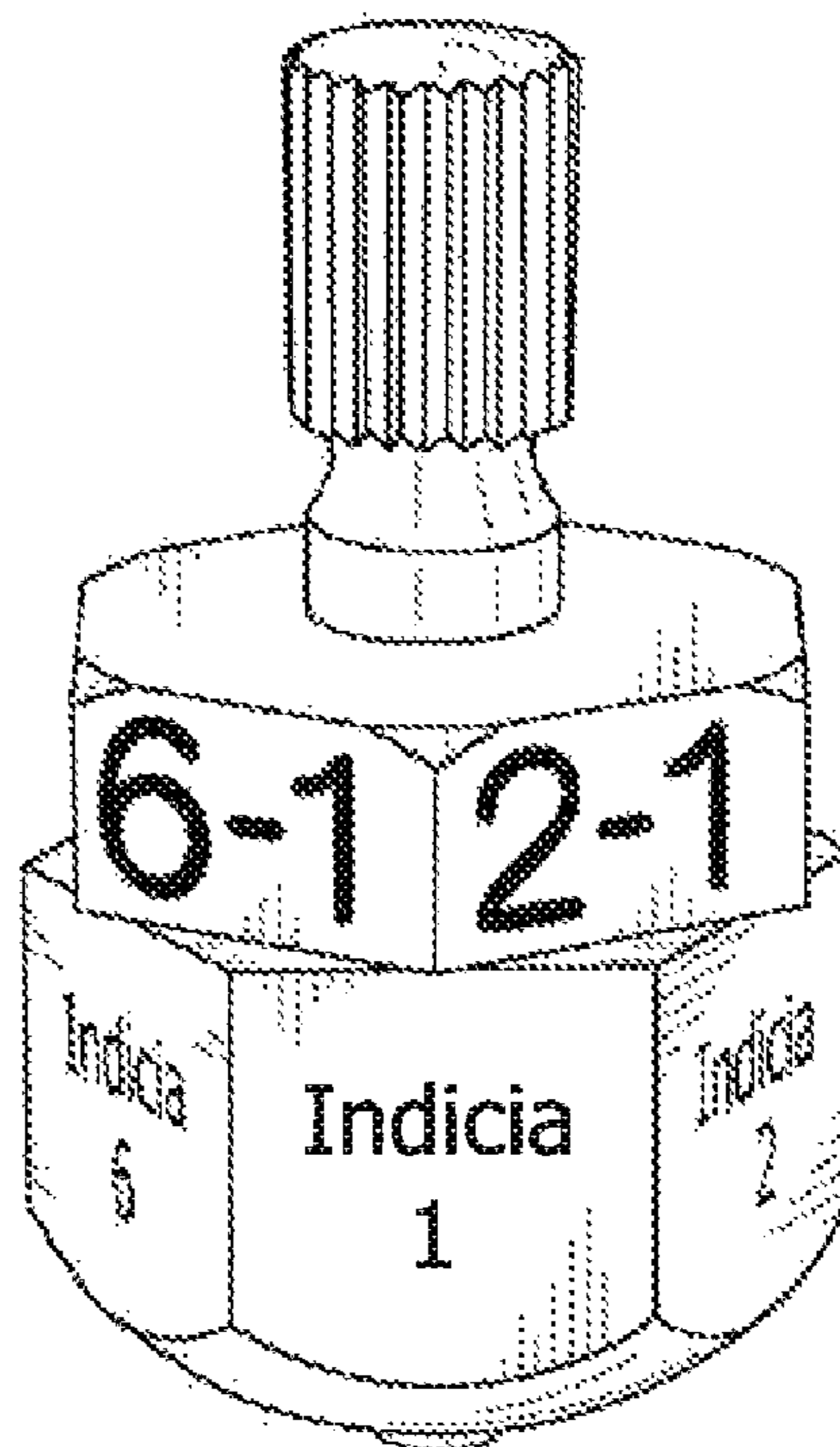
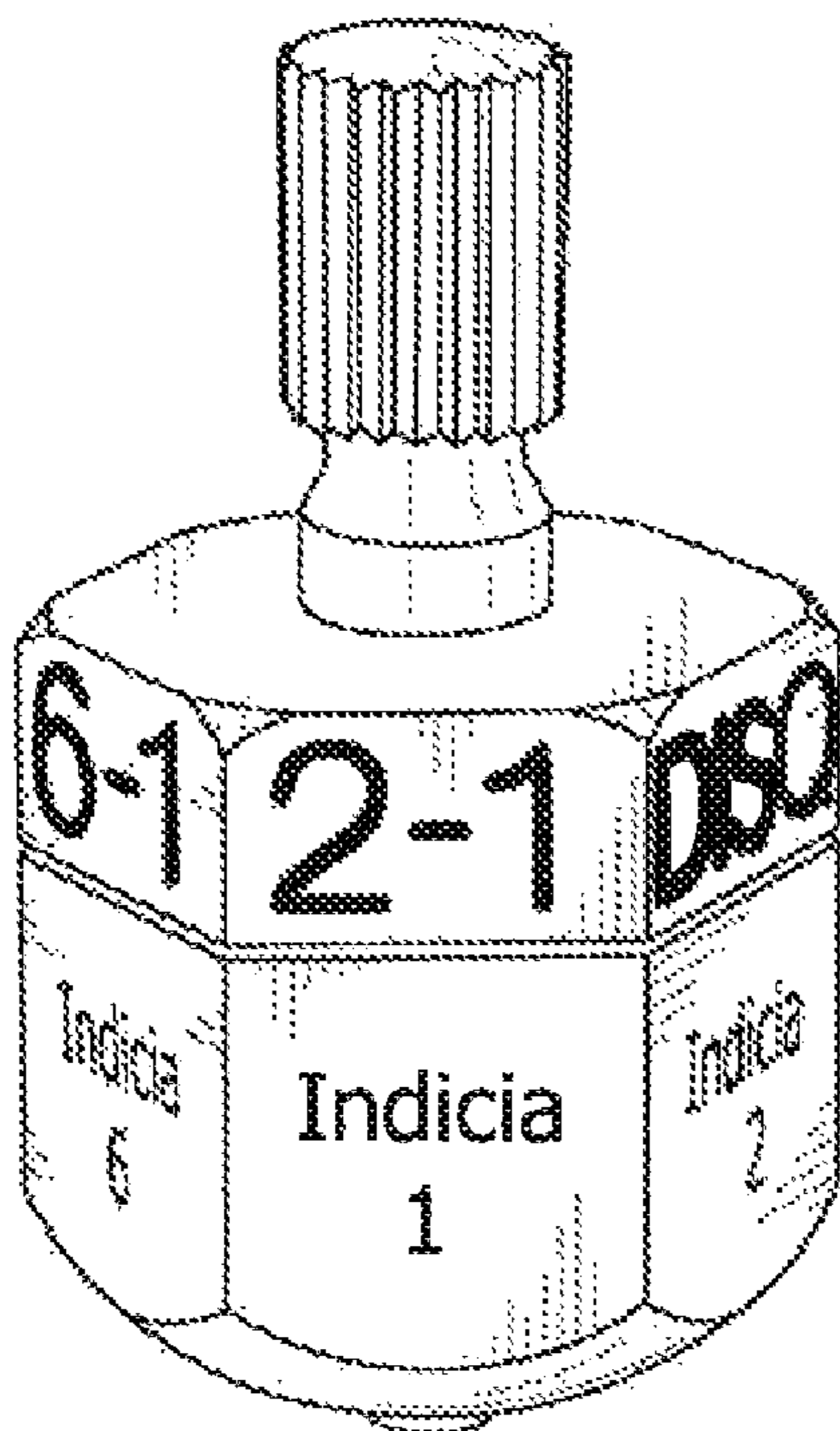




FIG. 1

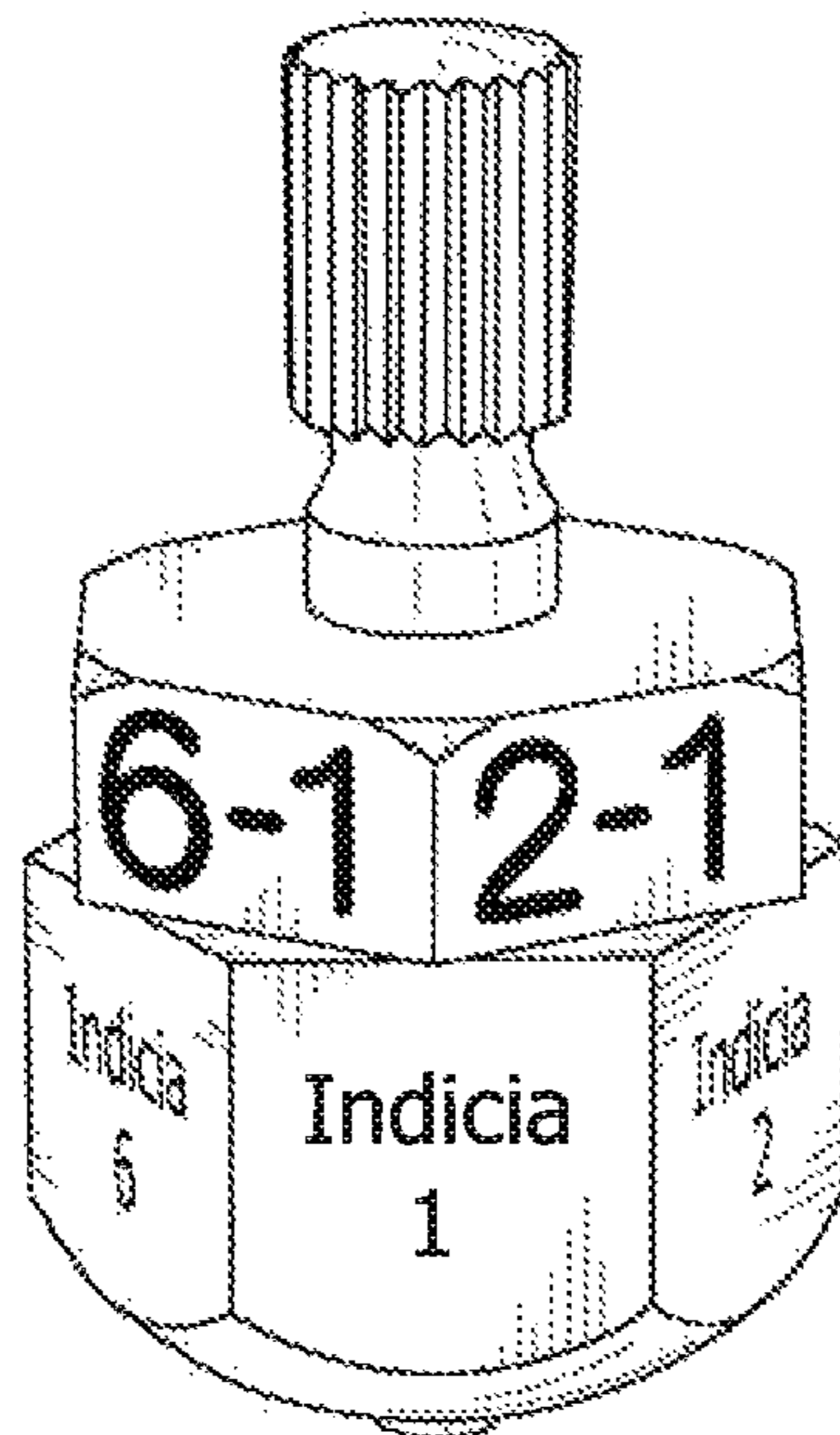


FIG. 2



FIG. 3

FIG. 4

FIG. 5

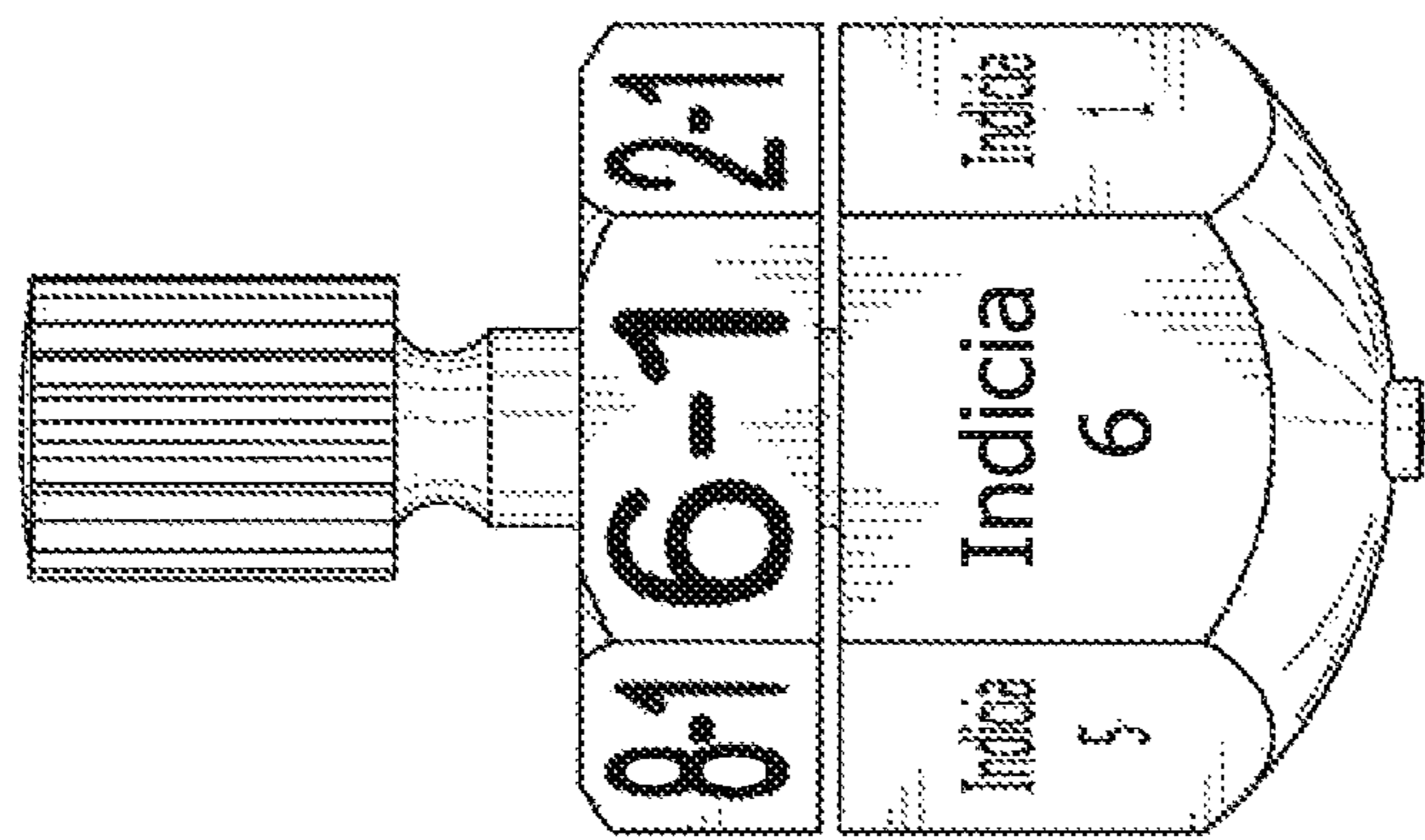


FIG. 6

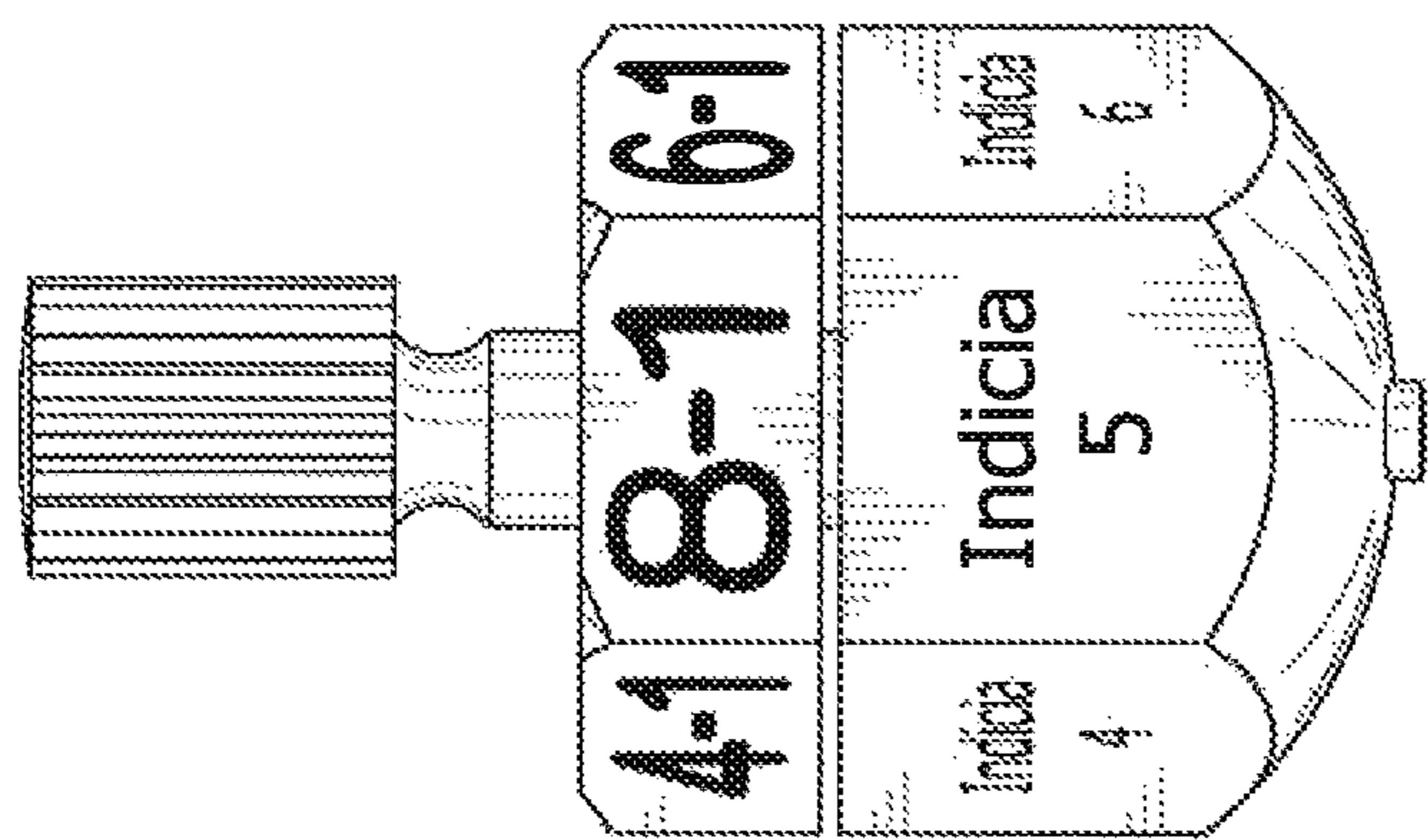


FIG. 7

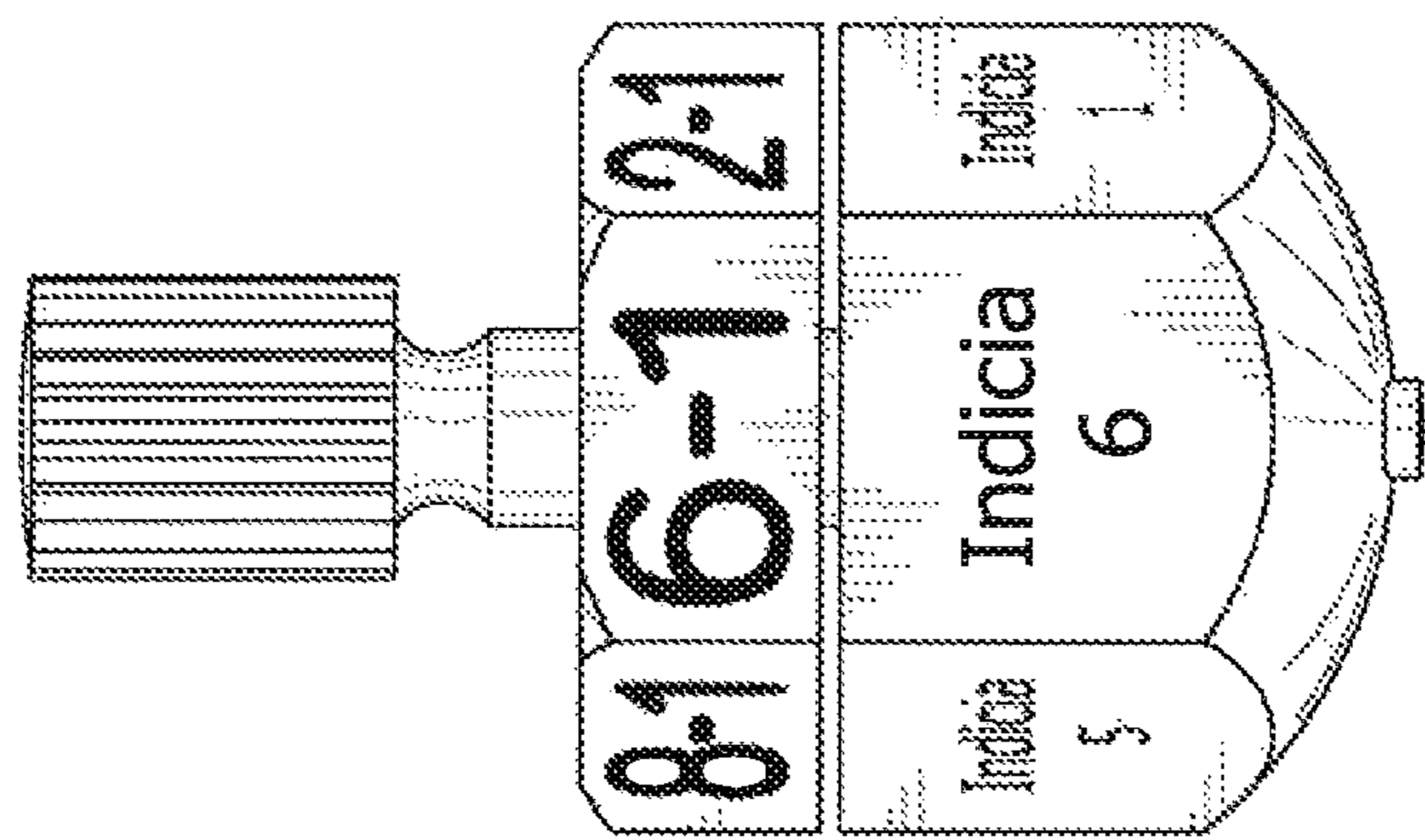


FIG. 8

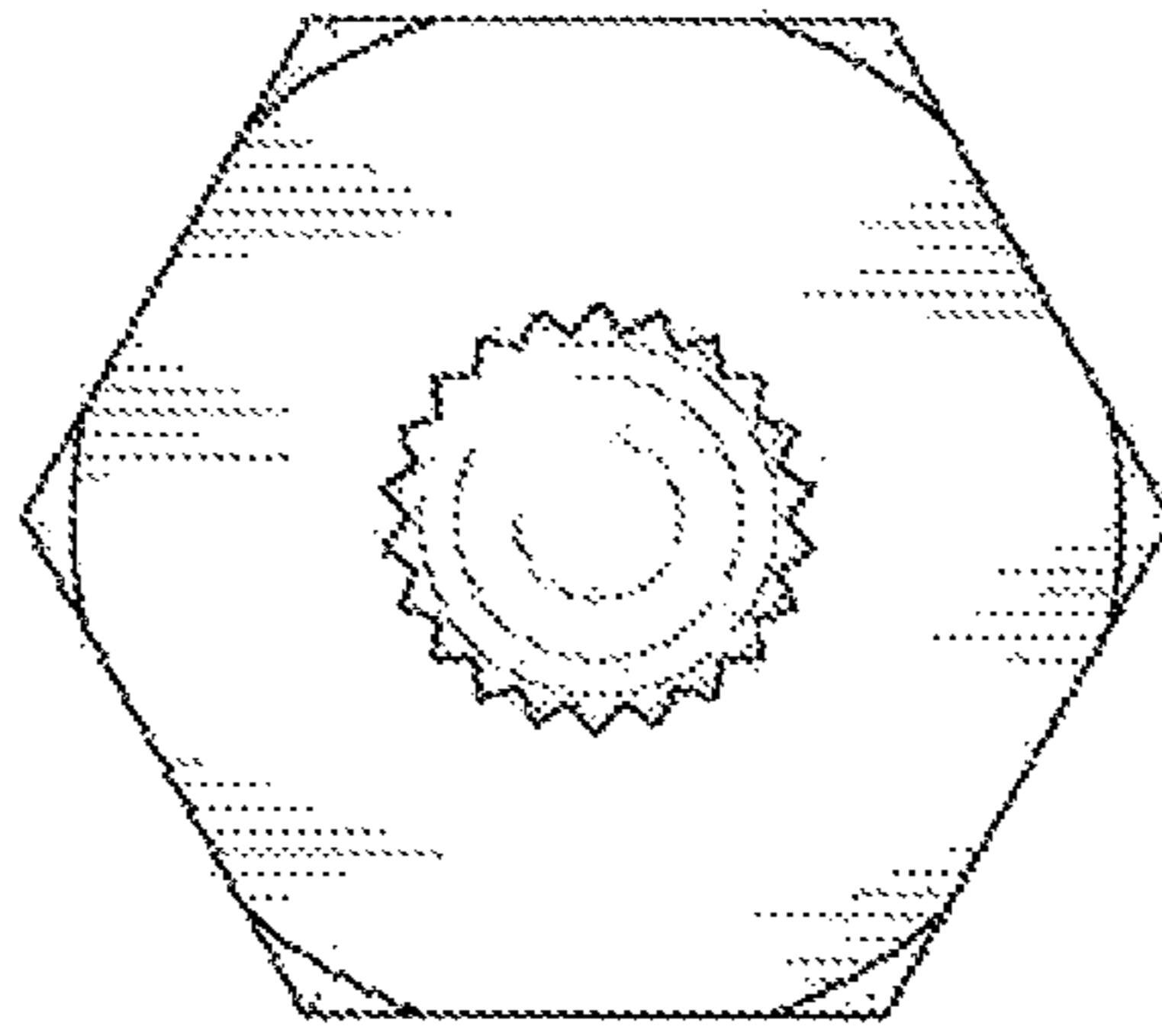


FIG. 9

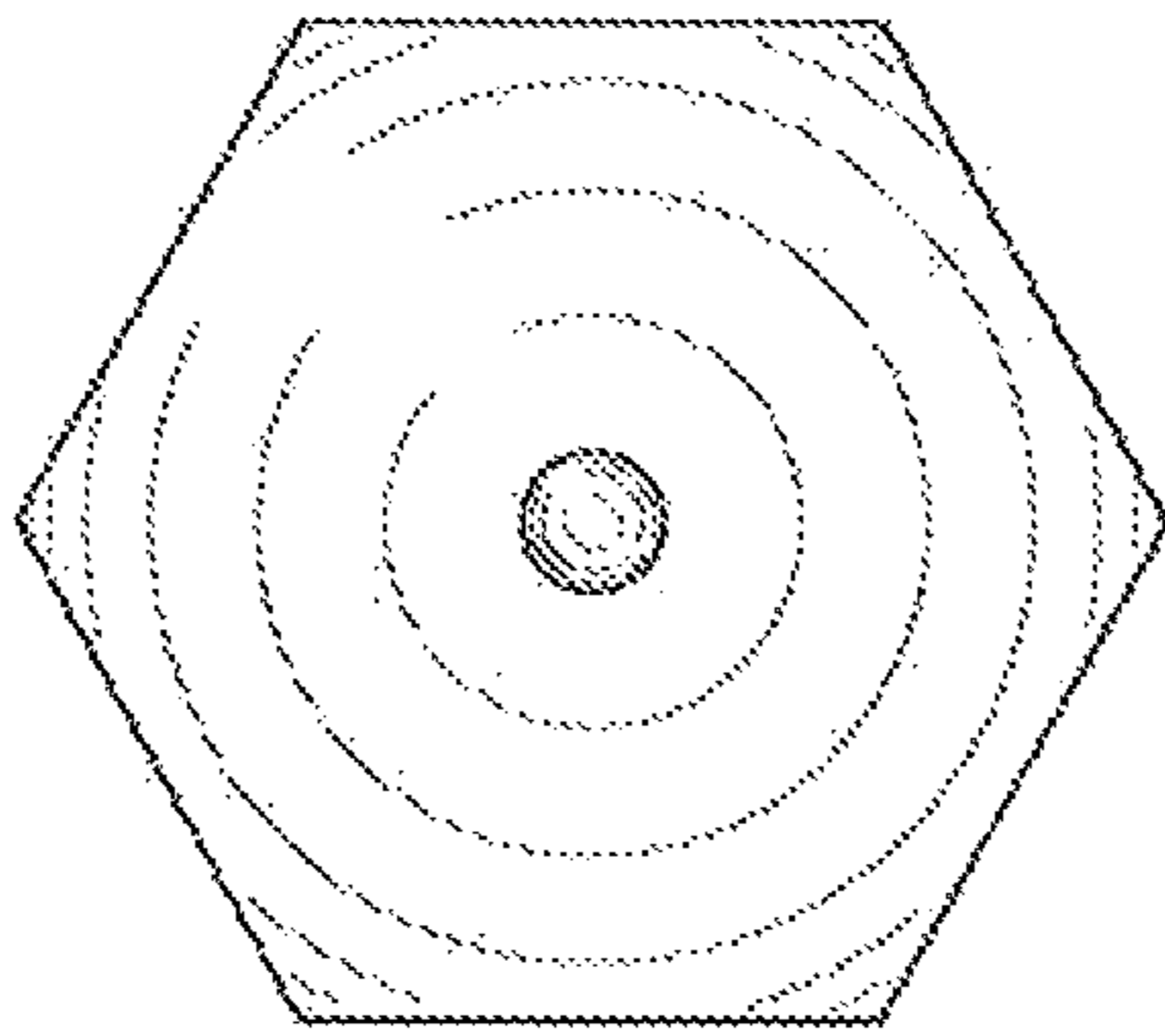


FIG. 10